



US00D372826S

# United States Patent [19]

[11] Patent Number: **Des. 372,826**

**Hecker**

[45] Date of Patent: **\*\*Aug. 20, 1996**

[54] **PLASTIC BAG HOLDER**

[76] Inventor: **Raymond G. Hecker**, 300 Twin Dr., Caseyville, Ill. 62232

[\*\*] Term: **14 Years**

[21] Appl. No.: **39,754**

[22] Filed: **Jun. 5, 1995**

[52] U.S. Cl. .... **D6/566**

[58] Field of Search ..... D6/553, 566, 567; D34/5-6; 211/12, 86, 87, 106, 181; 221/312 A; 248/302, 309.1, 907, 95, 97-99; 206/554

3,175,793	3/1965	Kennedy .....	248/99
4,498,652	12/1985	Malik .....	248/99
4,712,692	12/1987	Peinsipp .....	211/119
4,893,769	1/1990	Rotelli .....	248/97
5,069,350	12/1991	Wolff et al. ....	211/87

*Primary Examiner*—Brian N. Vinson  
*Attorney, Agent, or Firm*—Grace J. Fishel

## [57] CLAIM

The ornamental design for a plastic bag holder, as shown and described.

## DESCRIPTION

FIG. 1 is a top, front, and right side perspective view of a plastic bag holder showing my new design; FIG. 2 is an enlarged right side elevational view thereof, the left side being a mirror image of that shown; FIG. 3 is an enlarged front elevational view thereof; FIG. 4 is an enlarged top plan view thereof; FIG. 5 is an enlarged bottom plan view thereof; and, FIG. 6 is an enlarged rear elevational view thereof. The plastic bag and a cabinet drawer shown in broken lines in FIG. 1 denote the nature and environmental use of the design and are not part of the design.

## [56] References Cited

### U.S. PATENT DOCUMENTS

D. 327,599	7/1992	David .....	D6/566
D. 354,645	1/1995	Green .....	D6/566
D. 362,577	9/1995	Green .....	D6/566
807,092	12/1905	Russell .	
978,441	12/1910	Fairman et al. ....	248/99
983,108	1/1911	Allshouse .	
1,240,852	9/1917	Israelson .....	248/100
1,402,227	1/1922	Gilbert .....	248/100
2,778,554	1/1957	Porkola .....	248/99
3,162,414	12/1964	Maschek .....	248/101

**1 Claim, 2 Drawing Sheets**

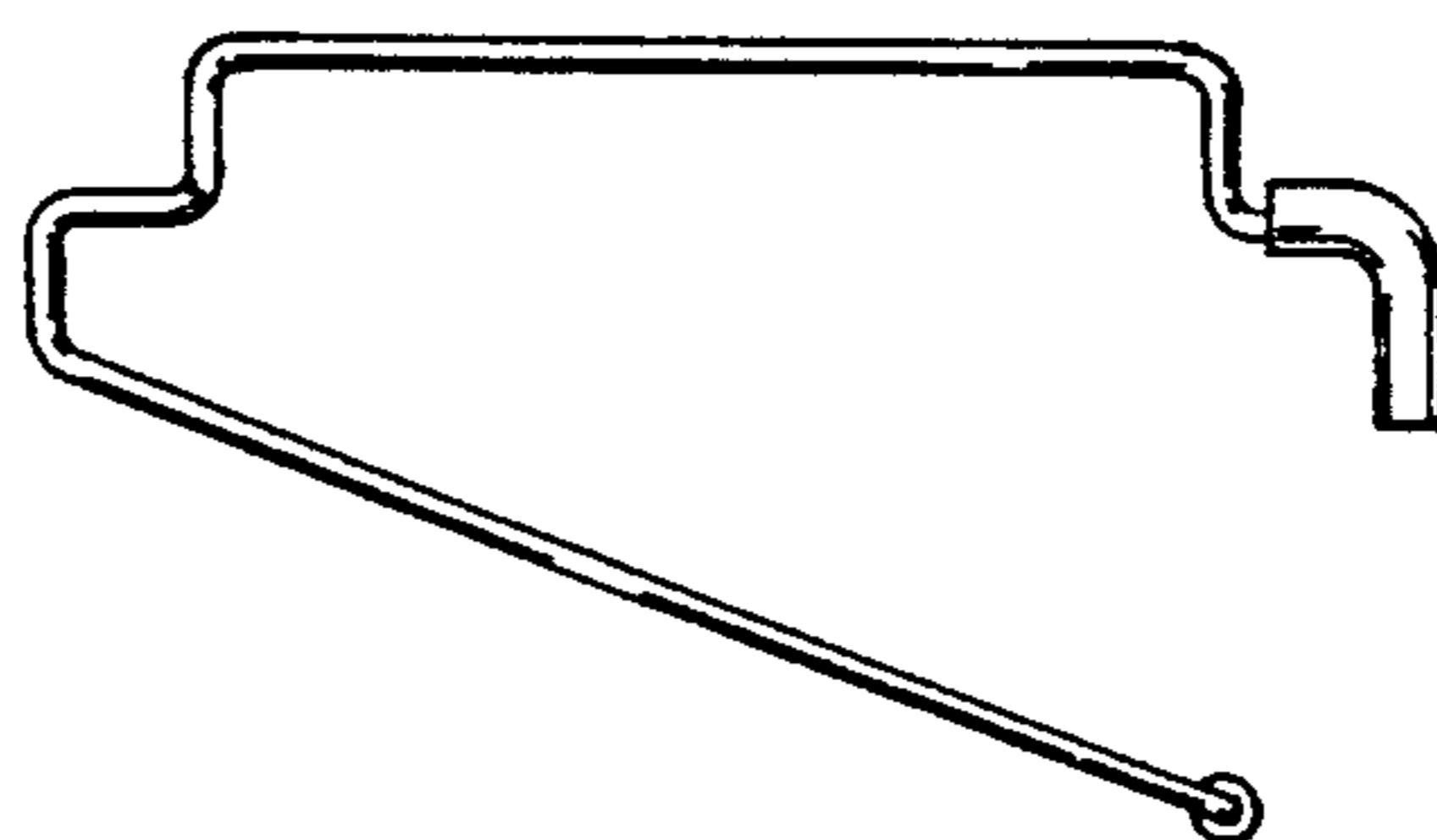
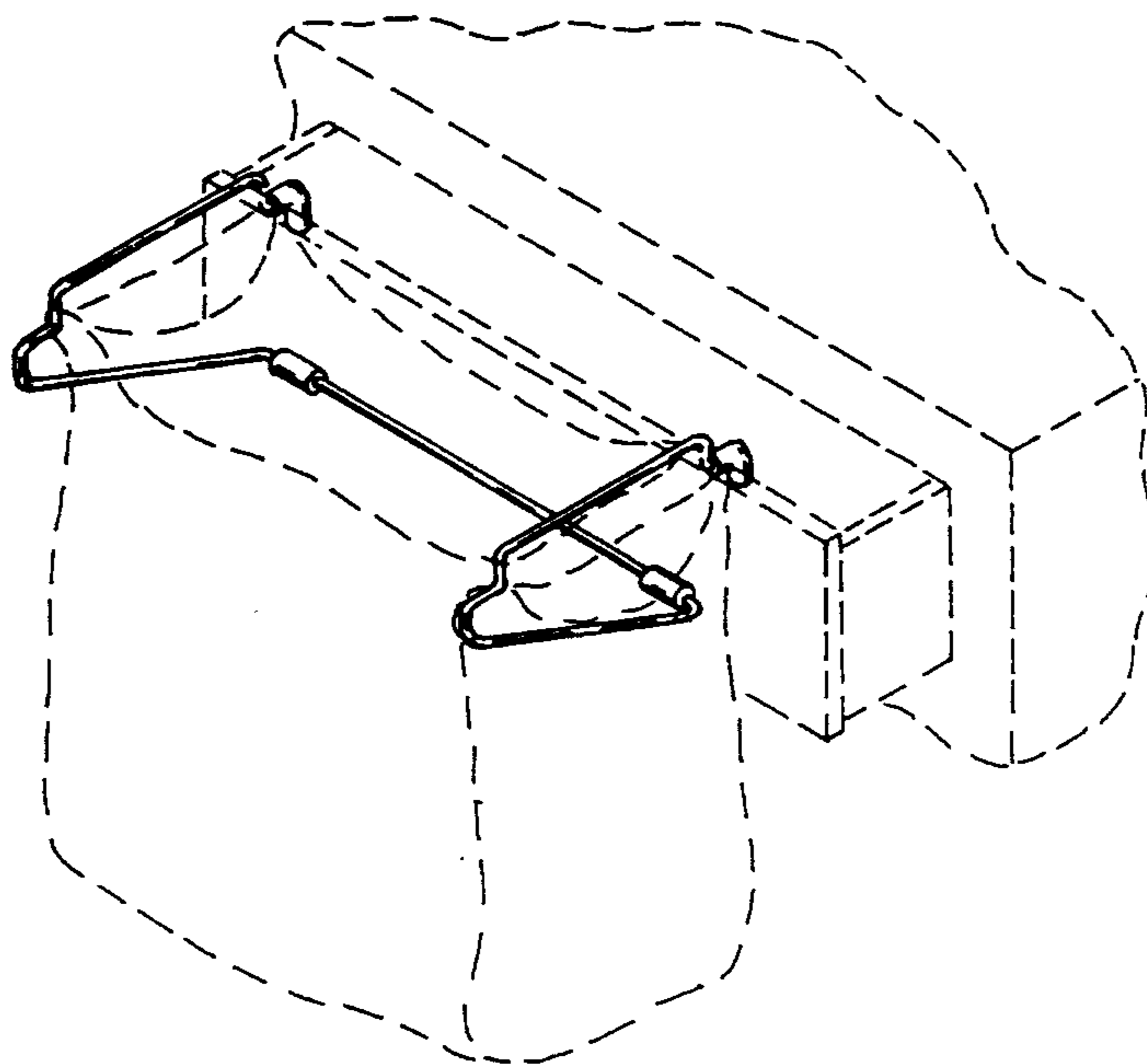


FIG. 1

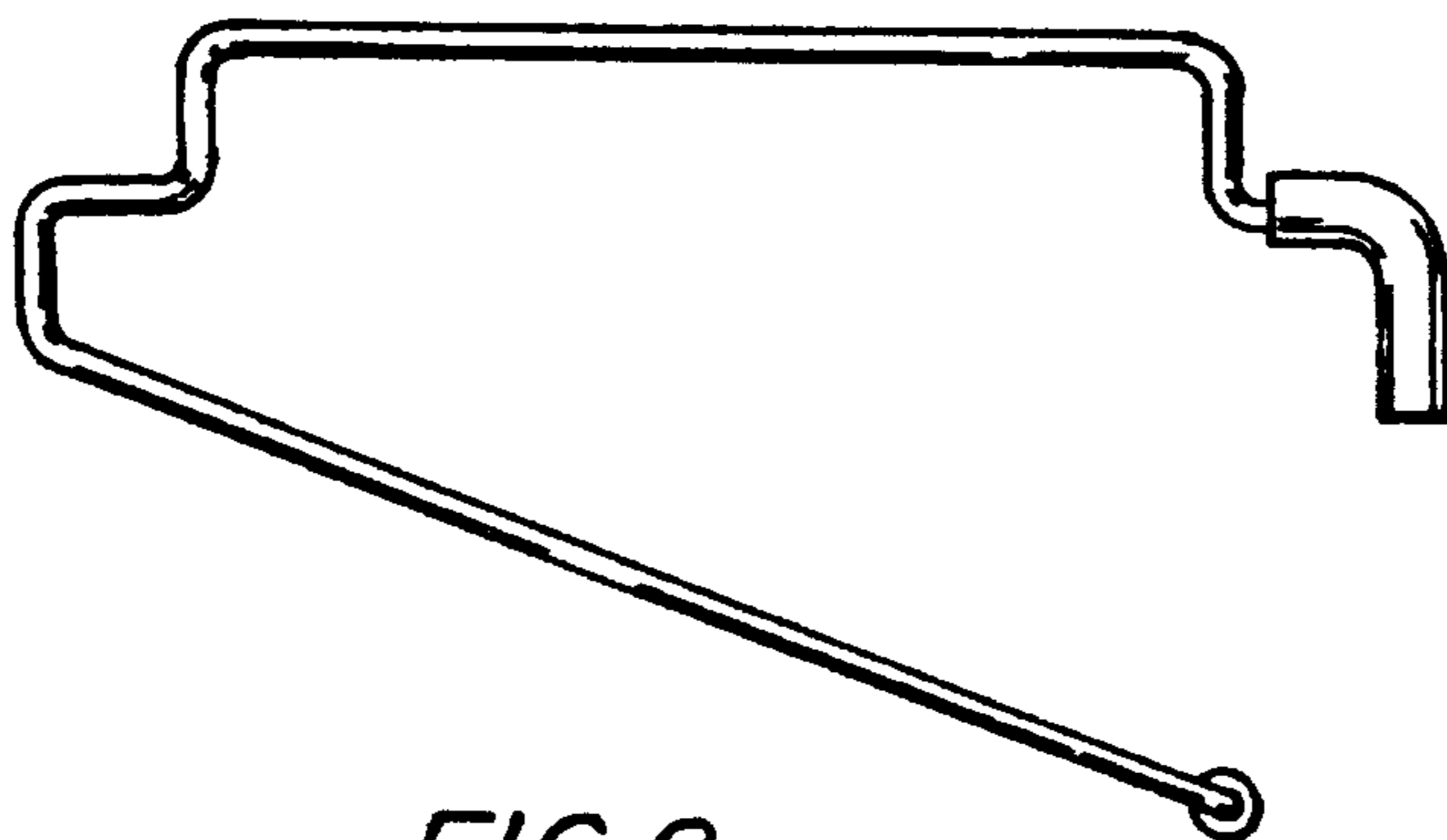
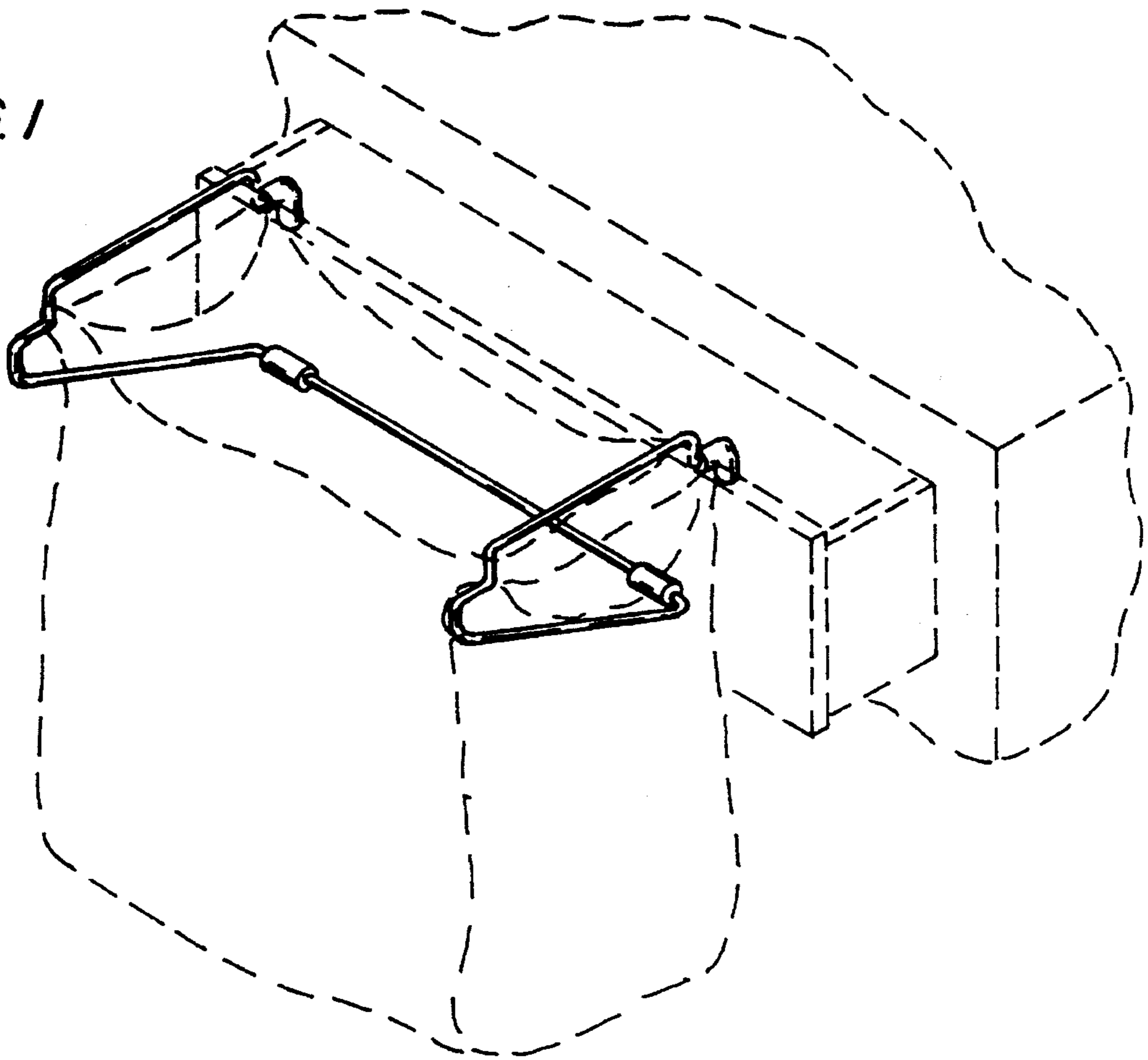


FIG. 2

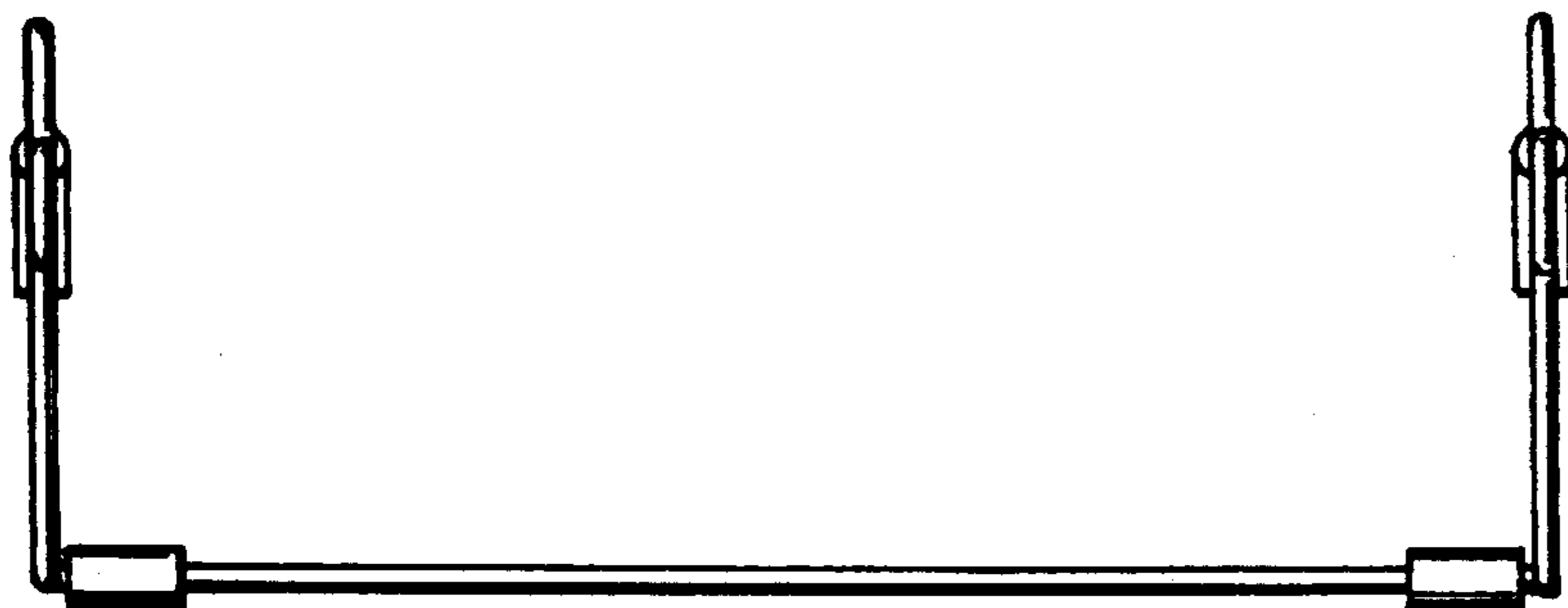


FIG. 3

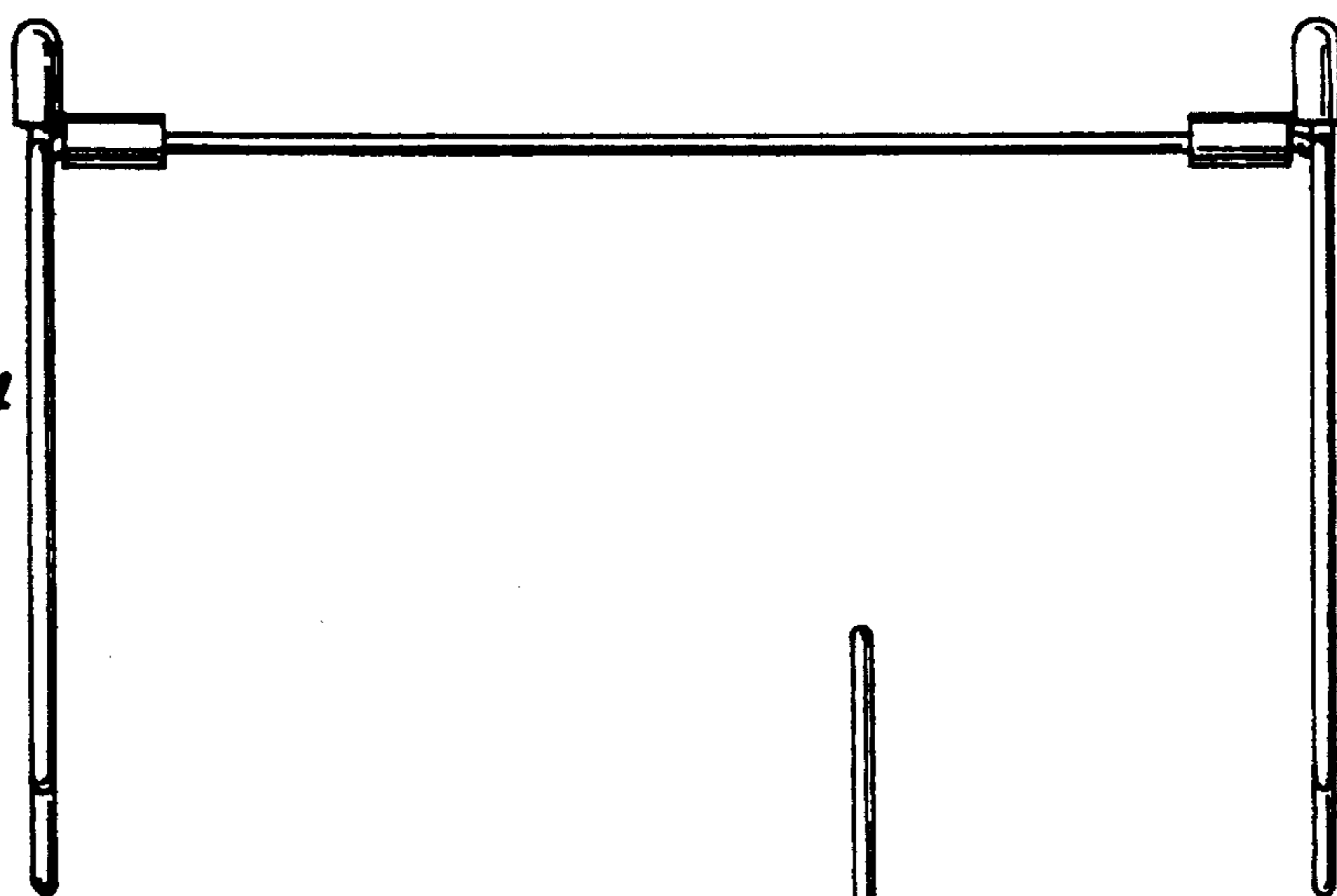


FIG. 4

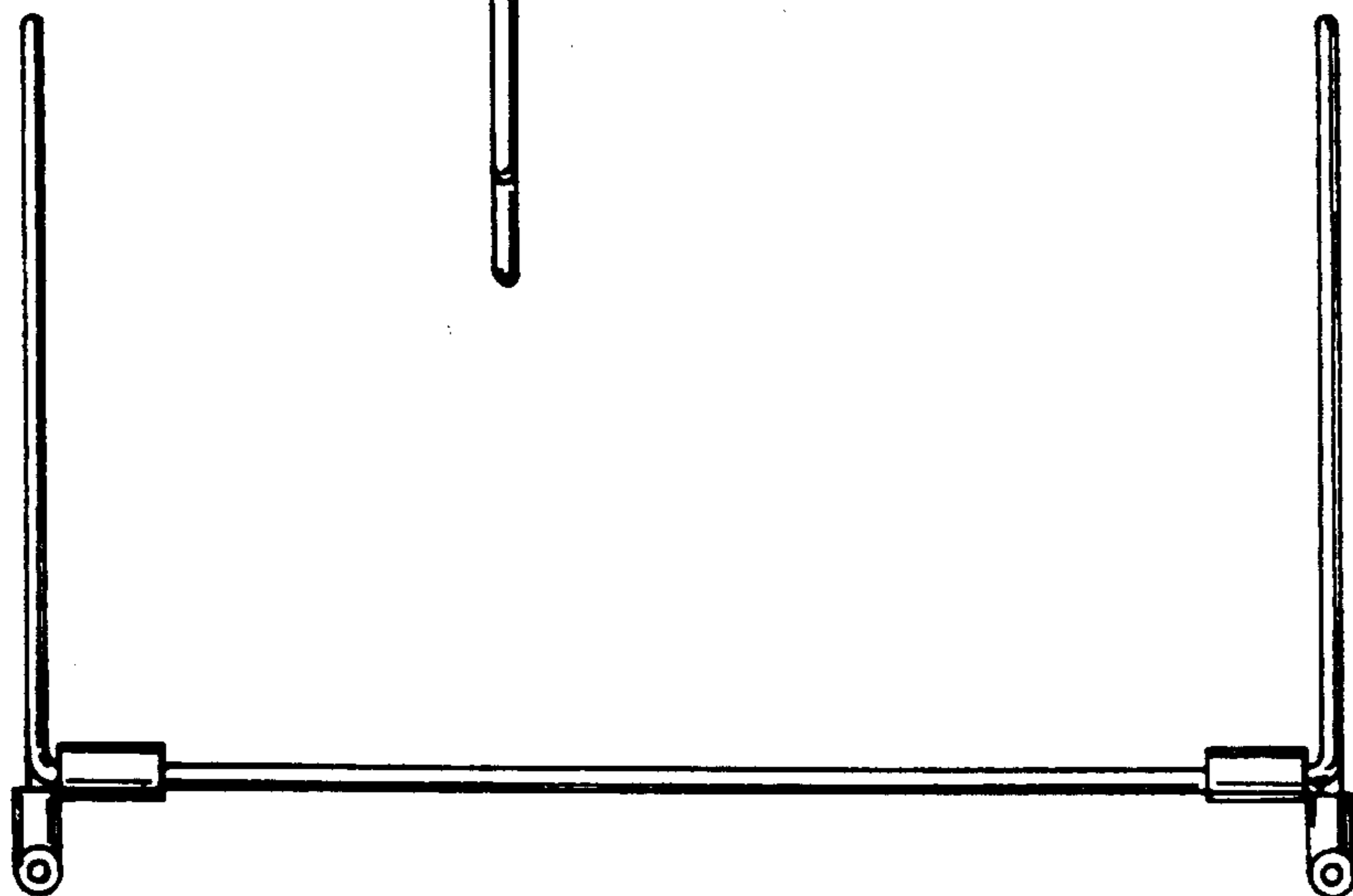


FIG. 5

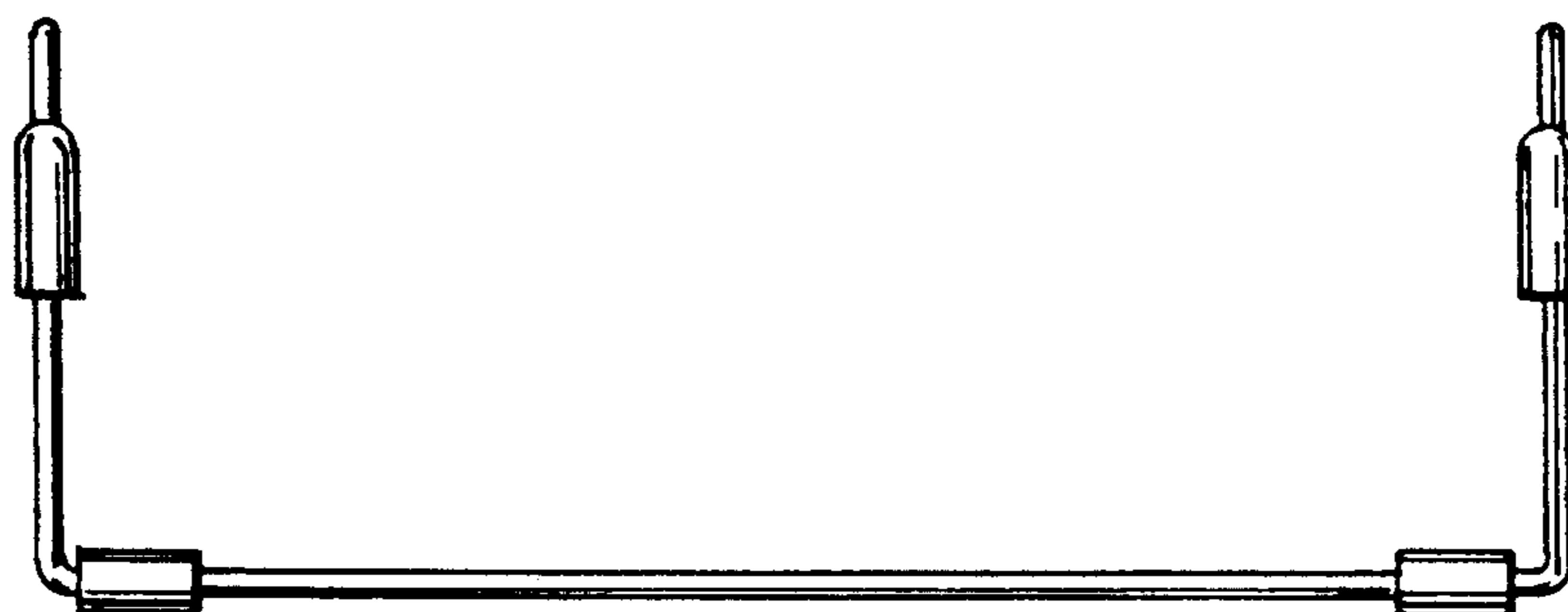


FIG. 6