



US00D372820S

United States Patent [19]
Martin

[11] **Patent Number: Des. 372,820**
[45] **Date of Patent: **Aug. 20, 1996**

[54] **TABLE**
[75] **Inventor: Leo Martin**, Coconut Grove, Fla.
[73] **Assignee: Miami Metal Products, Inc.**, Miami, Fla.
[**] **Term: 14 Years**
[21] **Appl. No.: 39,708**
[22] **Filed: Jun. 2, 1995**
[52] **U.S. Cl. D6/484**
[58] **Field of Search** D6/480-489, 495-499, D6/429; 108/153, 156, 161; 248/188, 188.1, 188.8

D. 339,701 9/1993 Martin D6/484

OTHER PUBLICATIONS

LaBarge tables, Jan. 1, 1975, p. 5, #8017 at top left.

Primary Examiner—Janice E. Seeger

[57] **CLAIM**

The ornamental design for a table, as shown and described.

DESCRIPTION

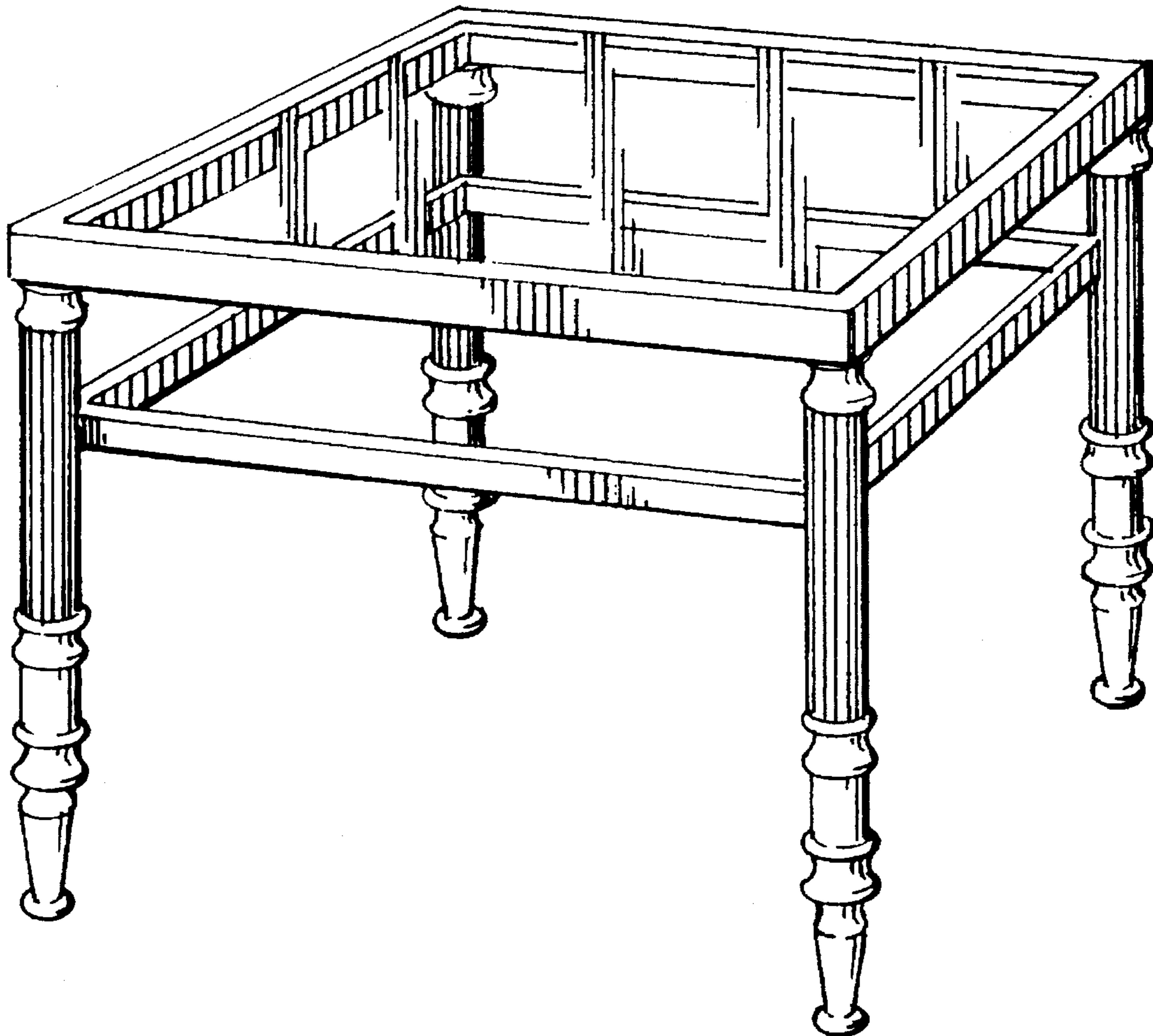
FIG. 1 is a front view of the present invention;
FIG. 2 is a side view of the present invention;
FIG. 3 is a top view of the present invention; and,
FIG. 4 is a bottom view of the present invention.

[56] **References Cited**

U.S. PATENT DOCUMENTS

D. 311,468 10/1990 Martin D6/487

1 Claim, 1 Drawing Sheet



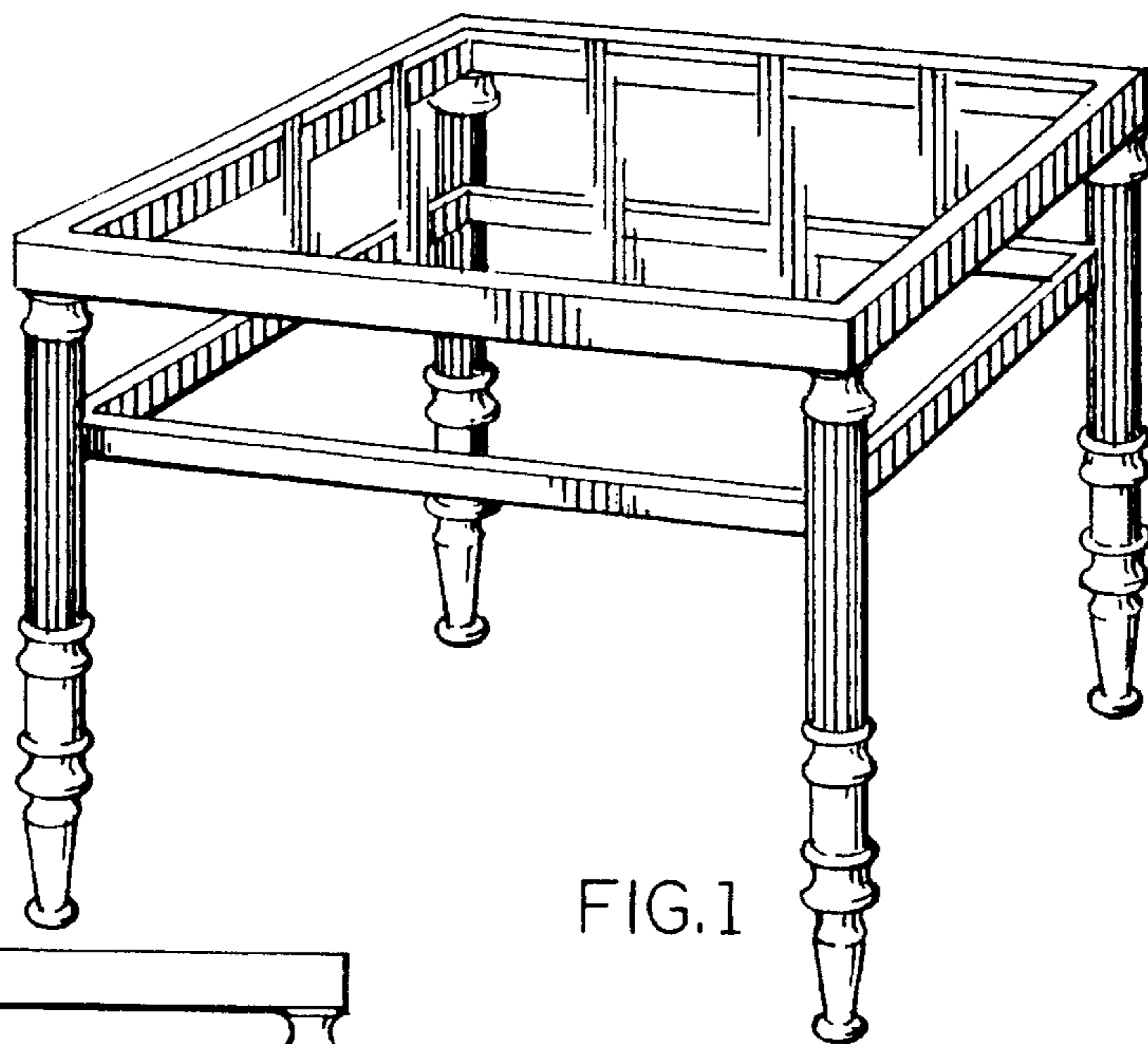


FIG. 1

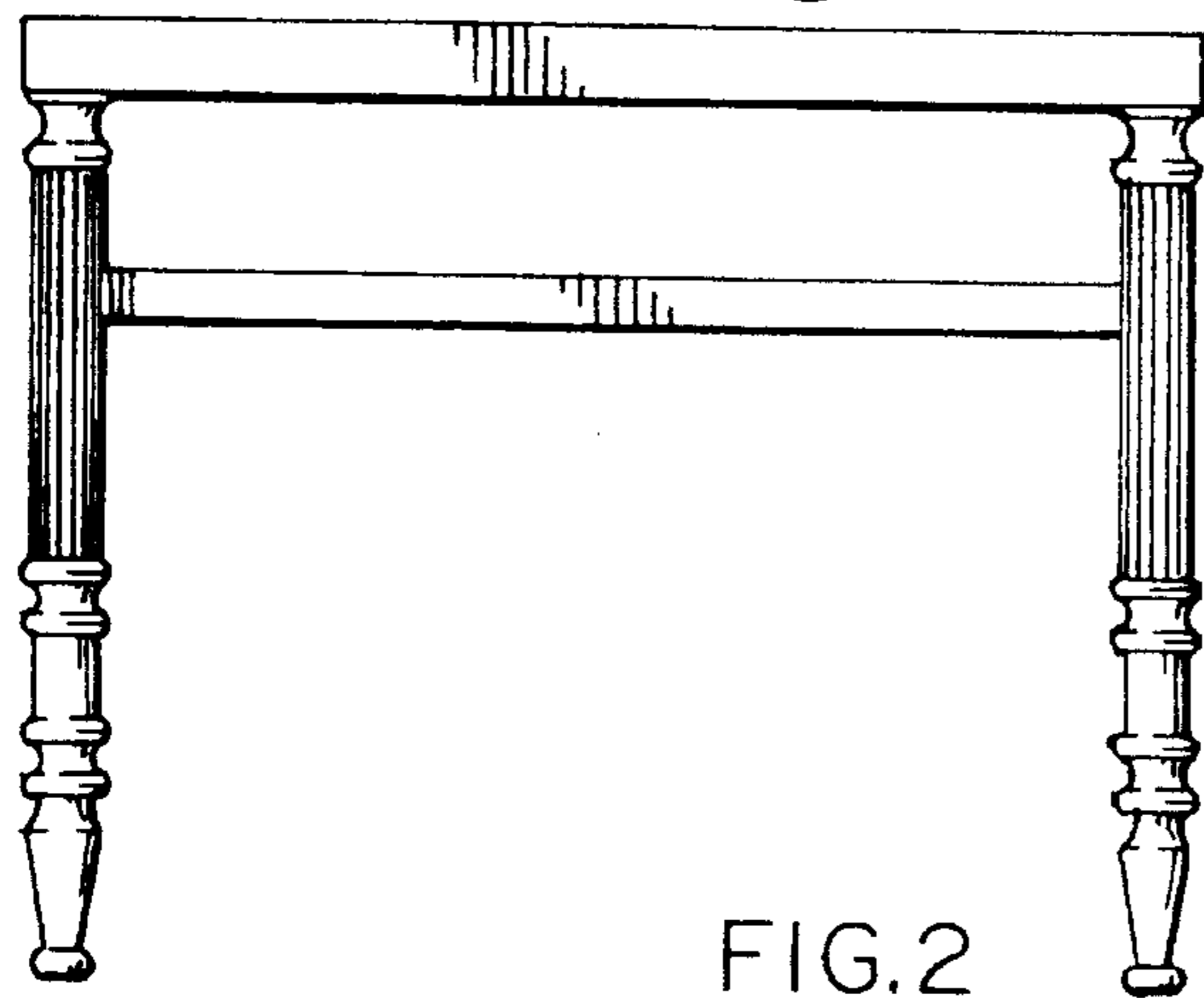


FIG. 2

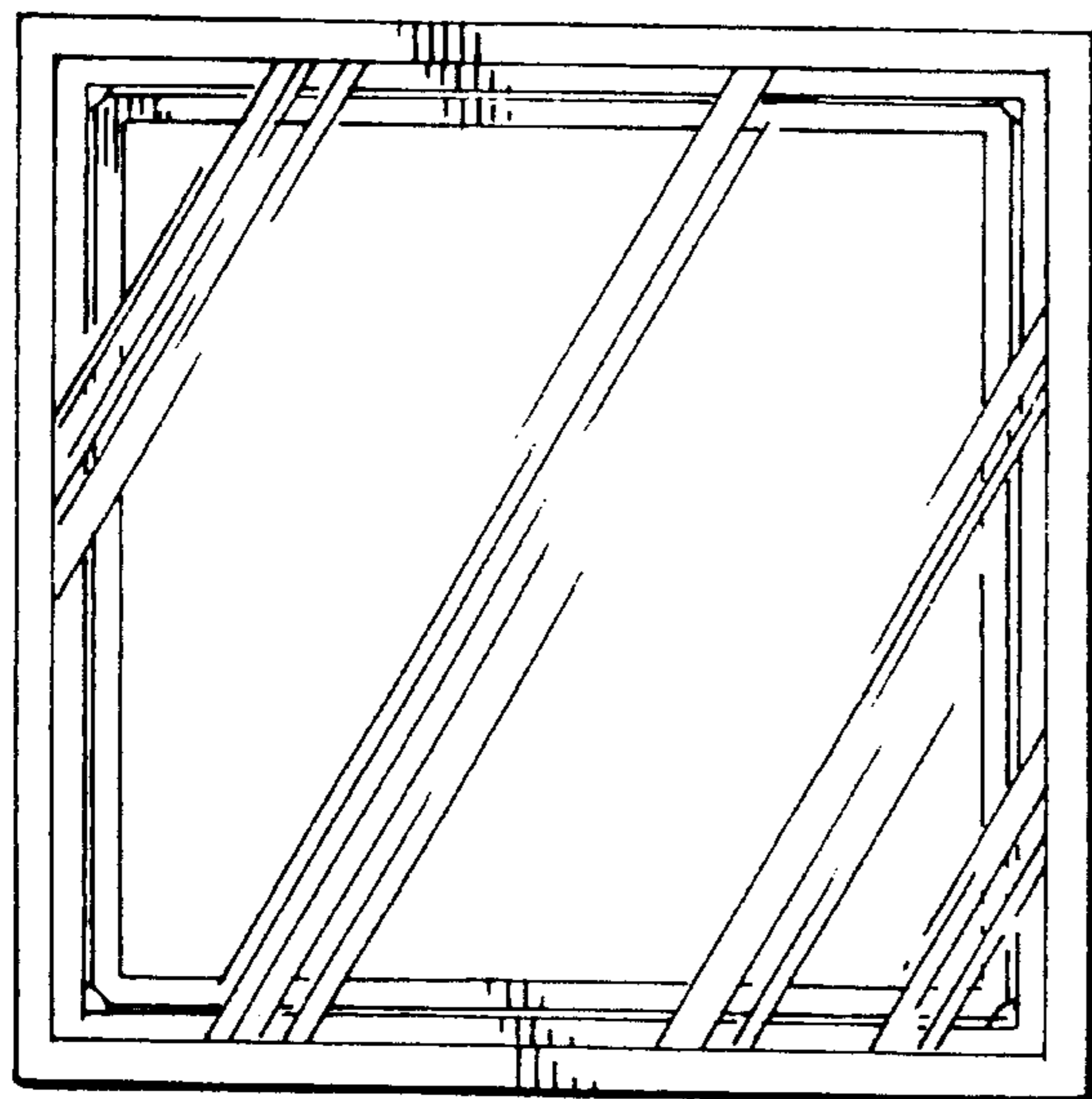


FIG. 3

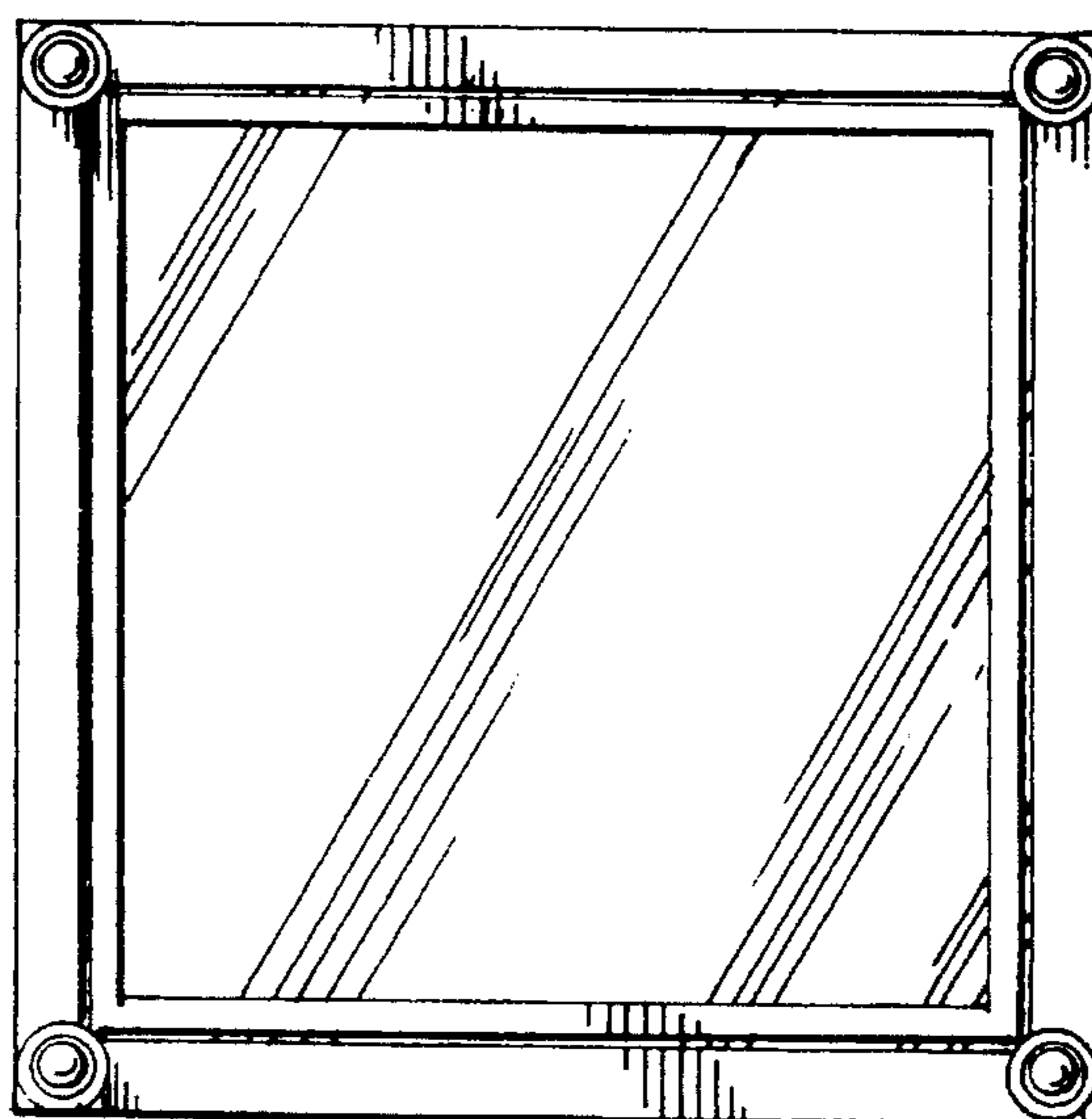


FIG. 4