



US00D372819S

United States Patent [19] Maple

[11] Patent Number: Des. 372,819

[45] Date of Patent: **Aug. 20, 1996

[54] TABLE

[75] Inventor: Drew Maple, Carmel, Ind.

[73] Assignee: Sunbeam Products, Inc., Fort Lauderdale, Fla.

[**] Term: 14 Years

[21] Appl. No.: 39,635

[22] Filed: Jun. 1, 1995

[52] U.S. Cl. D6/484; D6/349

[58] Field of Search D6/480-489, 349, D6/495; 108/153, 156, 161; 248/188, 188.1, 188.8

[56] References Cited

U.S. PATENT DOCUMENTS

| | | | | |
|------------|---------|----------|-------|--------|
| D. 215,858 | 11/1969 | Hamilton | | D6/485 |
| D. 317,537 | 6/1991 | Pino | | D6/484 |
| D. 317,839 | 7/1991 | Pino | | D6/484 |
| D. 358,283 | 5/1995 | Kelly | | D6/484 |
| D. 363,824 | 11/1995 | Lyons | | D6/349 |

OTHER PUBLICATIONS

Collection of photographs and drawings numbered 1 through 43, attached hereto as Exhibit A.

Simoni Spoga, Unknown.

Curver National Hardware Show, Unknown.

Allibert National Hardware Show 1993.

Allibert National Hardware Show 1993.

Vision Products National Hardware Show 1993.

Mafilplast Unknown.

Mafilplast Unknown.

Jardin Spoga, Unknown.

Jardin Spoga, Unknown.

IPL Inc. National Hardware Show 1991.

IPL Inc. National Hardware Show 1991.

IPL Inc. National Hardware Show 1991.

U.S. Leisure National Hardware Show 1993.

Syroco Home Hardware Show 1993.

Stylette Alco National Hardware Show 1991.

Sieger National Hardware Show 1992.

Scab Spoga 1993.

Rovergarden Spoga, Unknown.

Productions S.A. Spoga, Unknown.

Productions S.A. Spoga, Unknown.

Plebani S.R.L. Spoga, Unknown.

Plebani S.R.L. Spoga, Unknown.

Lawn Comfort National Hardware Show 1989.

Lawn Ware National Hardware Show 1993.

Kurz Spoga 1993.

Keter National Hardware Show, Unknown.

Hartman National Hardware Show 1992.

Trio Plast Unknown.

Grosfillex National Hardware Show, 1993.

Garden Leisure National Hardware Show 1991.

Festival Home Hardware Show 1993.

Darolet Spoga 1987.

Capisa National Hardware Show 1991.

Festival Home Hardware Show 1993.

Areta Unknown.

AMI France/USA Unknown.

Sunbeam Ace Hardware Fall Convention 1990.

ScanLine Unknown.

Best, Spring 1993, p. 38, #6 at top right.

Primary Examiner—Janice E. Seeger

Attorney, Agent, or Firm—Michael J. Kline; Carol I. Bordas;

Noland J. Cheung

[57] CLAIM

The ornamental design for a table, as shown.

DESCRIPTION

FIG. 1 is a front perspective view of a table showing my new design;

FIG. 2 is a front elevational view thereof;

FIG. 3 is a top plan view thereof;

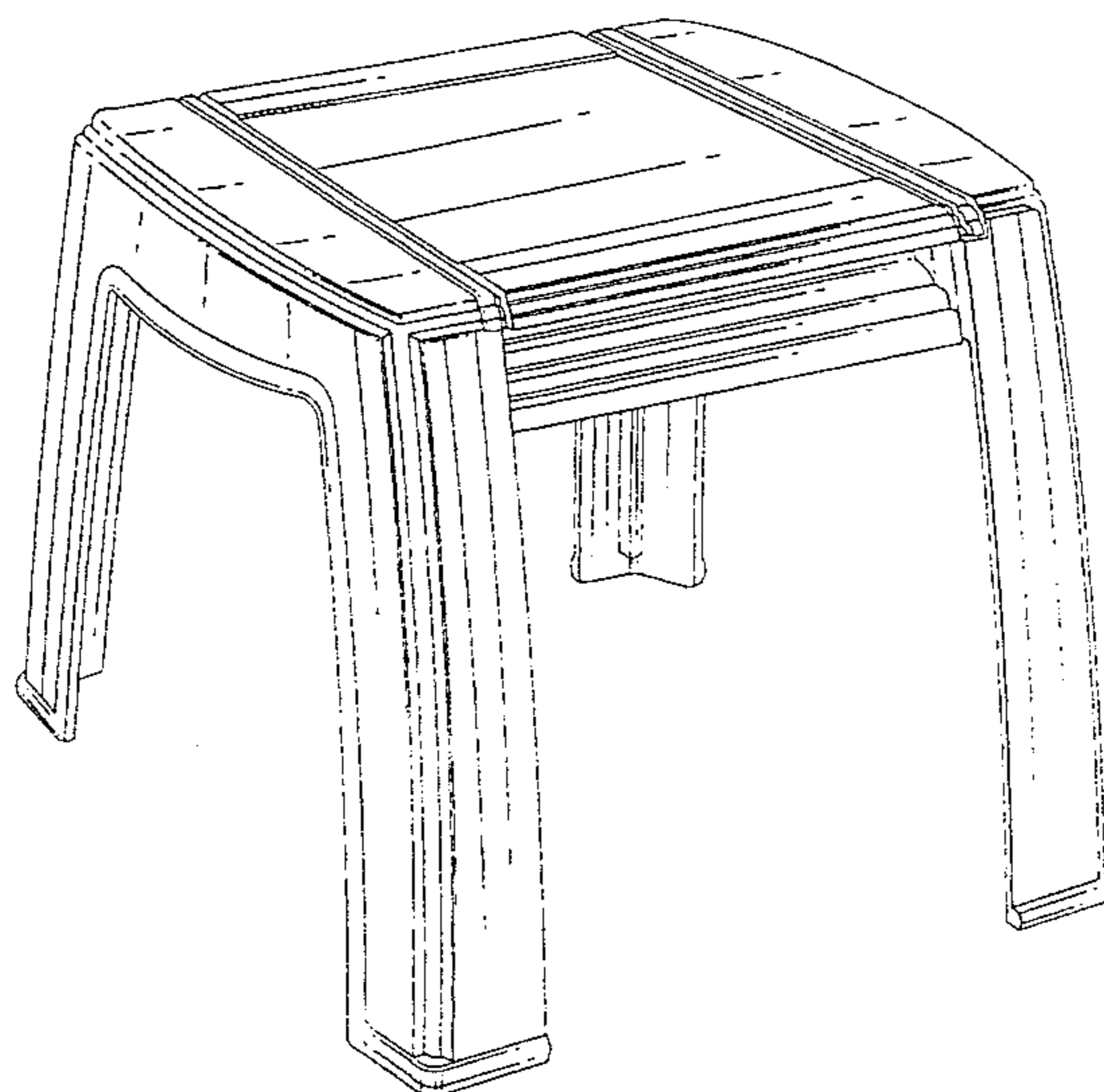
FIG. 4 is a left elevational view thereof;

FIG. 5 is a right elevational view thereof;

FIG. 6 is a bottom plan view thereof; and,

FIG. 7 is a rear elevational view thereof.

1 Claim, 7 Drawing Sheets



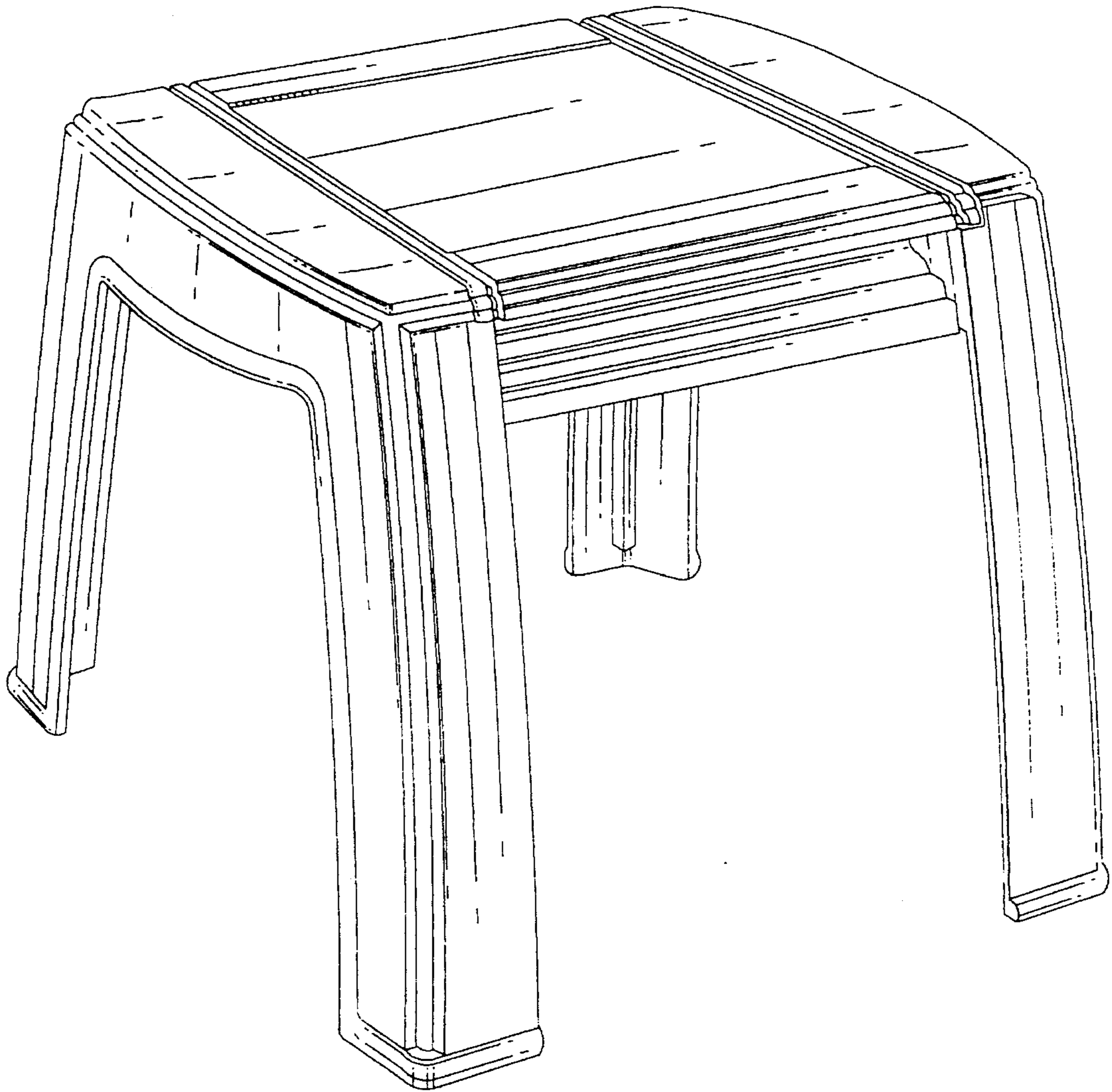


FIG. 1

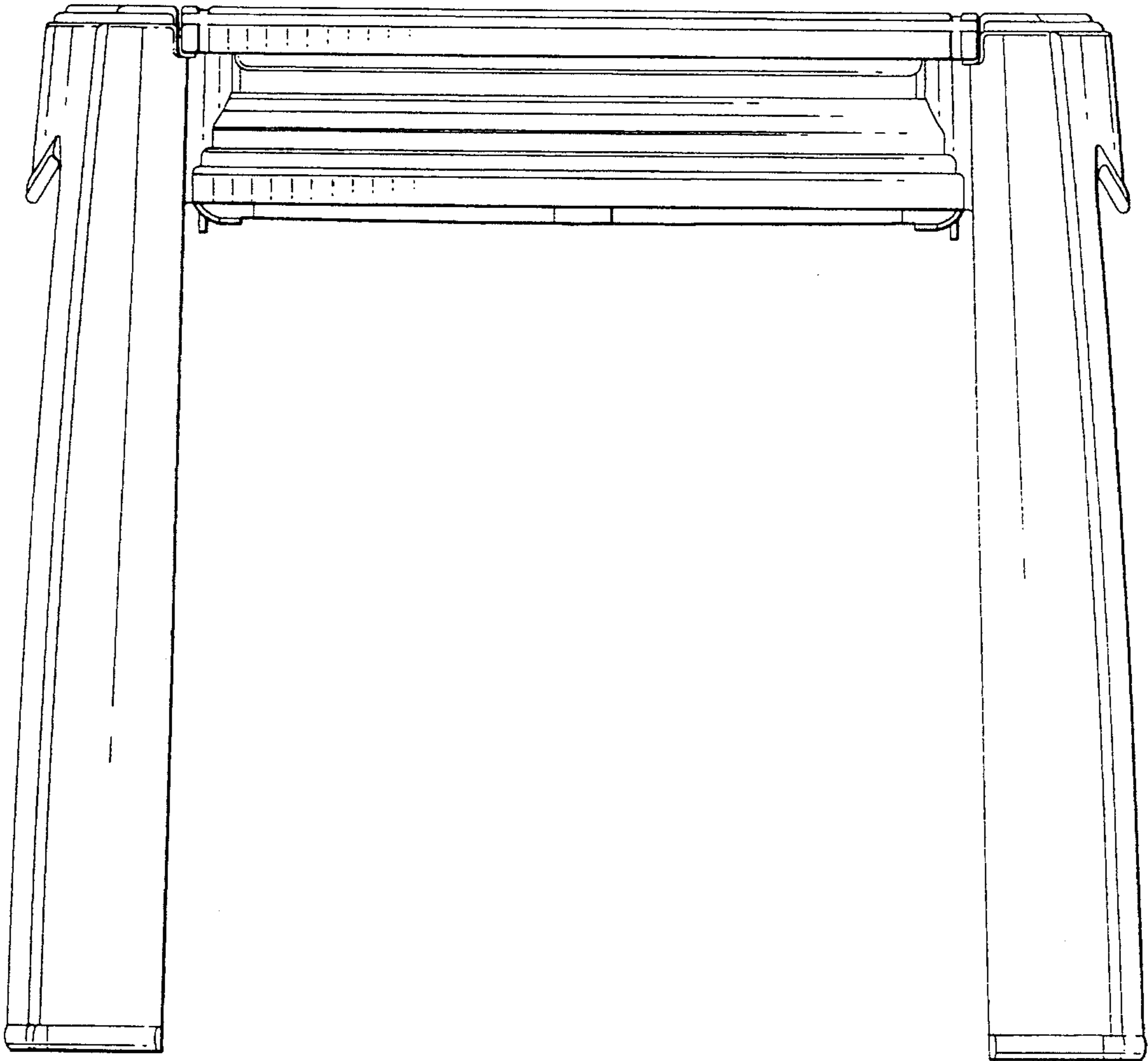


FIG. 2

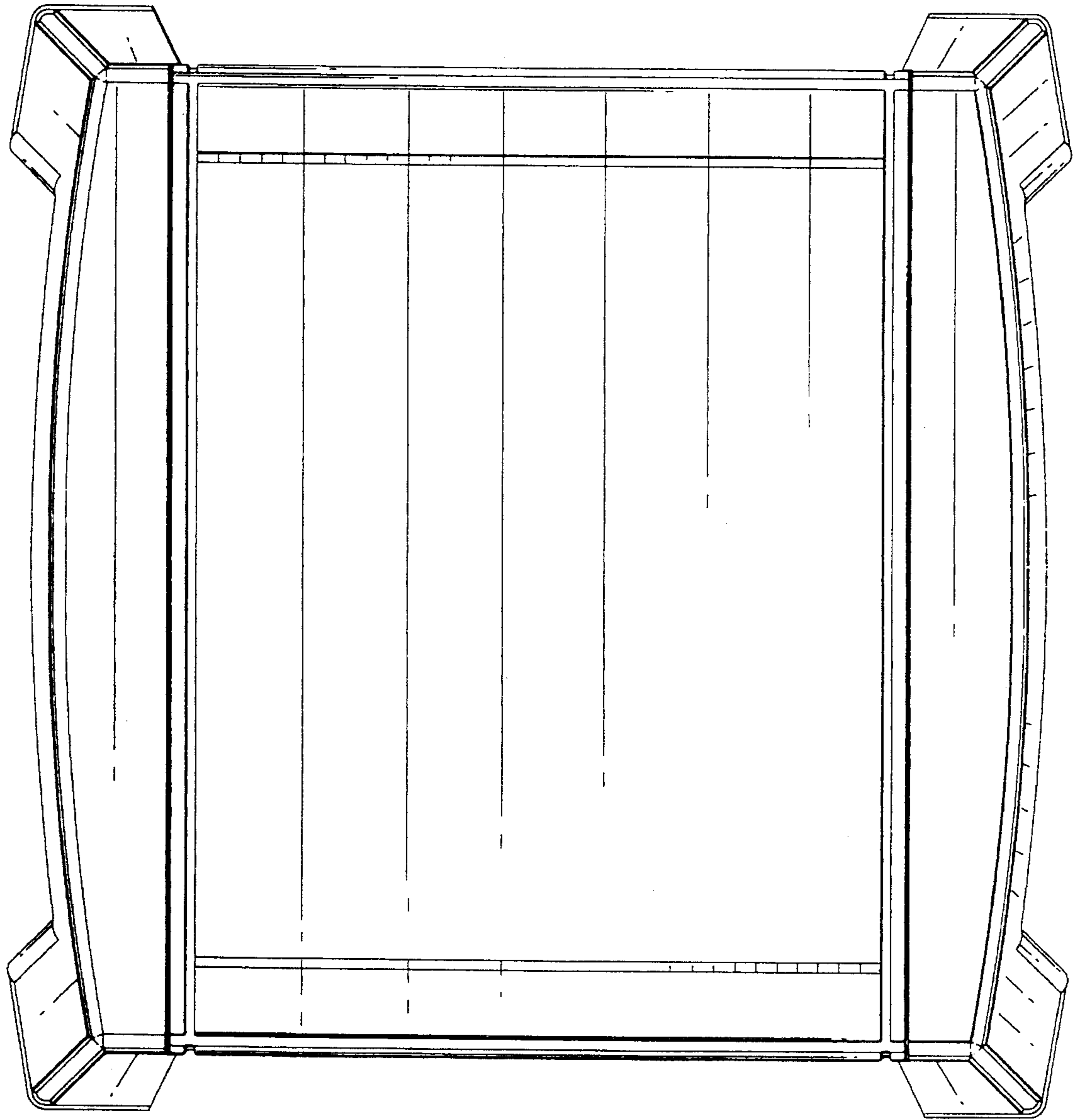


FIG. 3

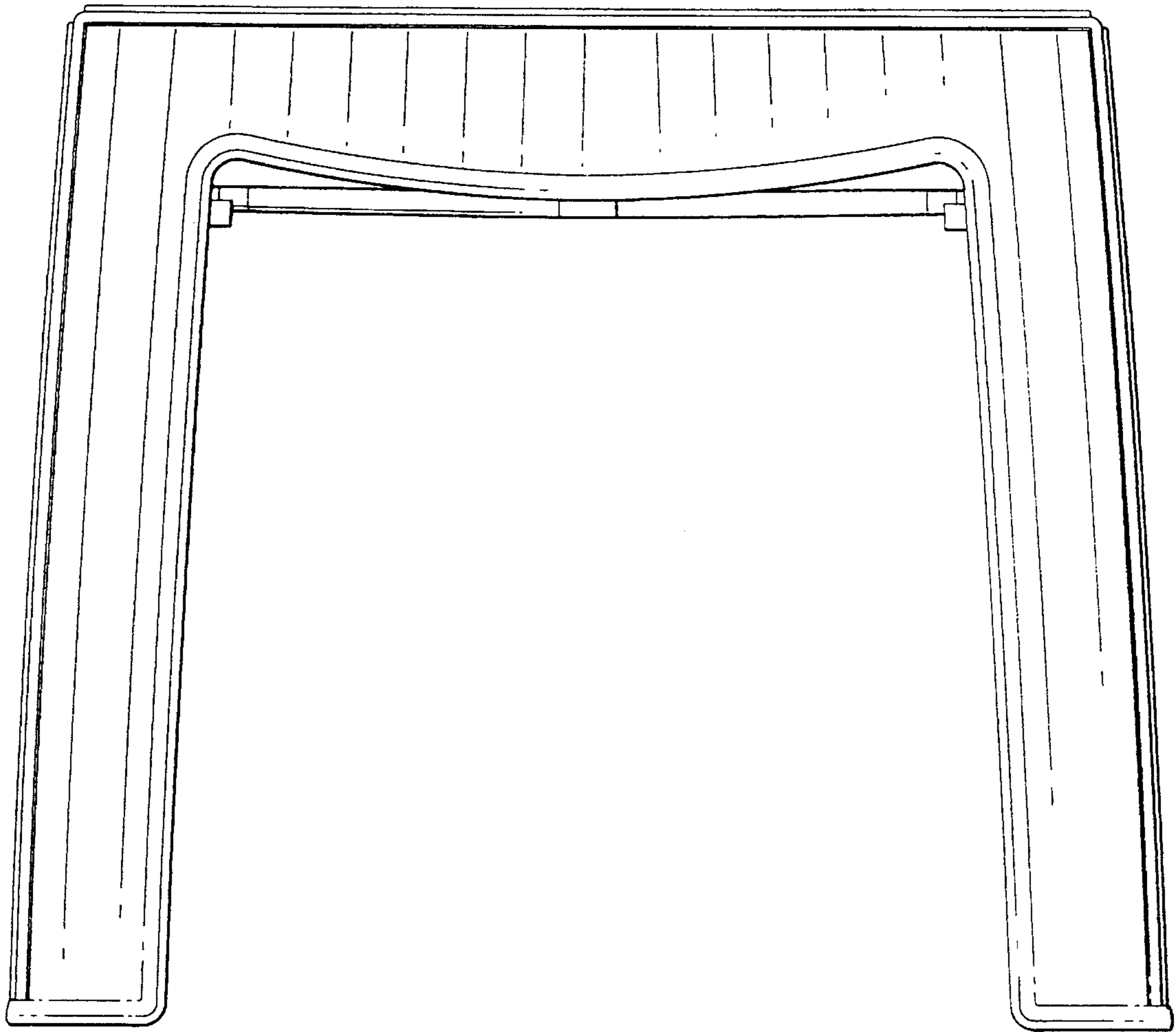


FIG. 4

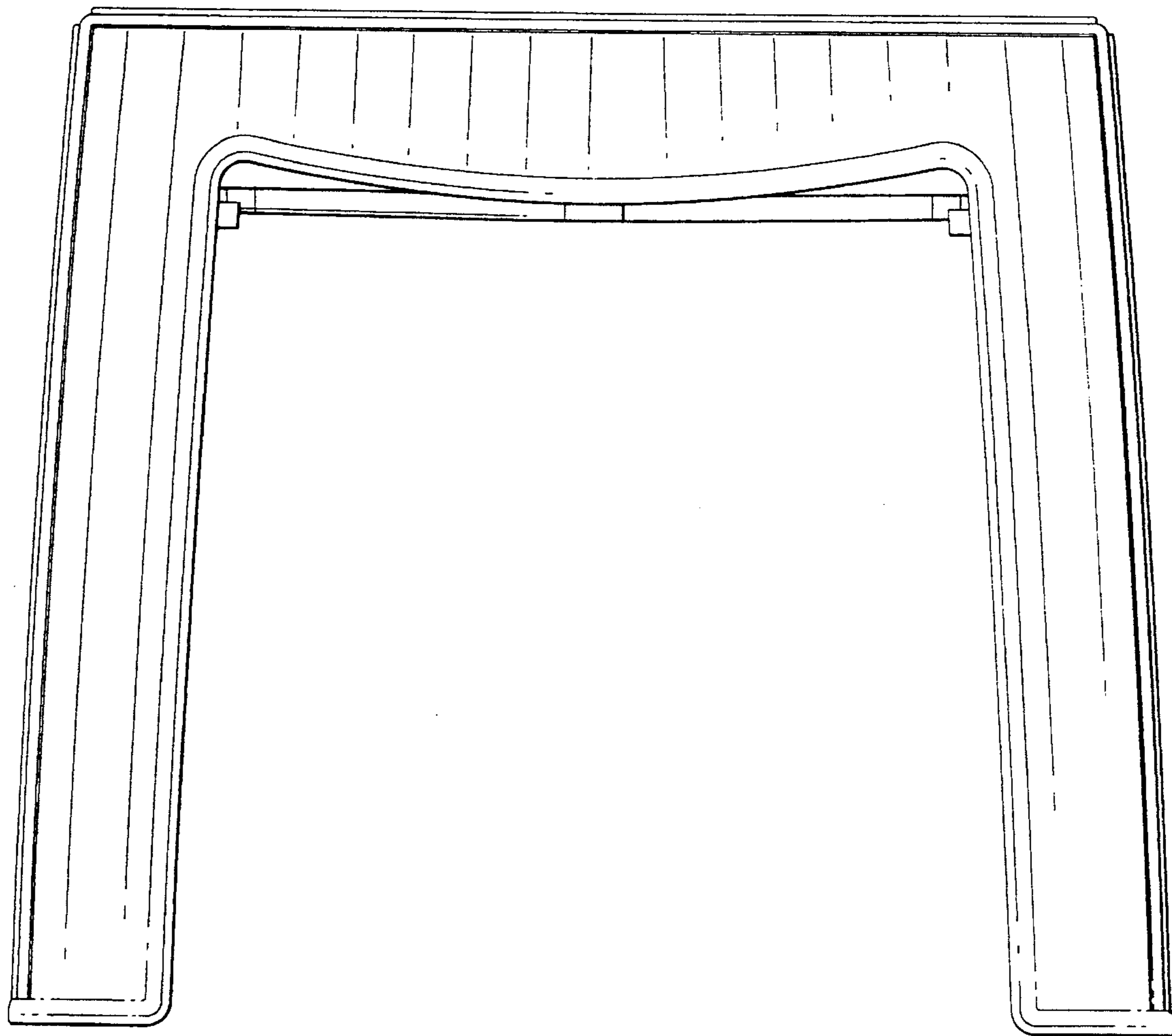


FIG. 5

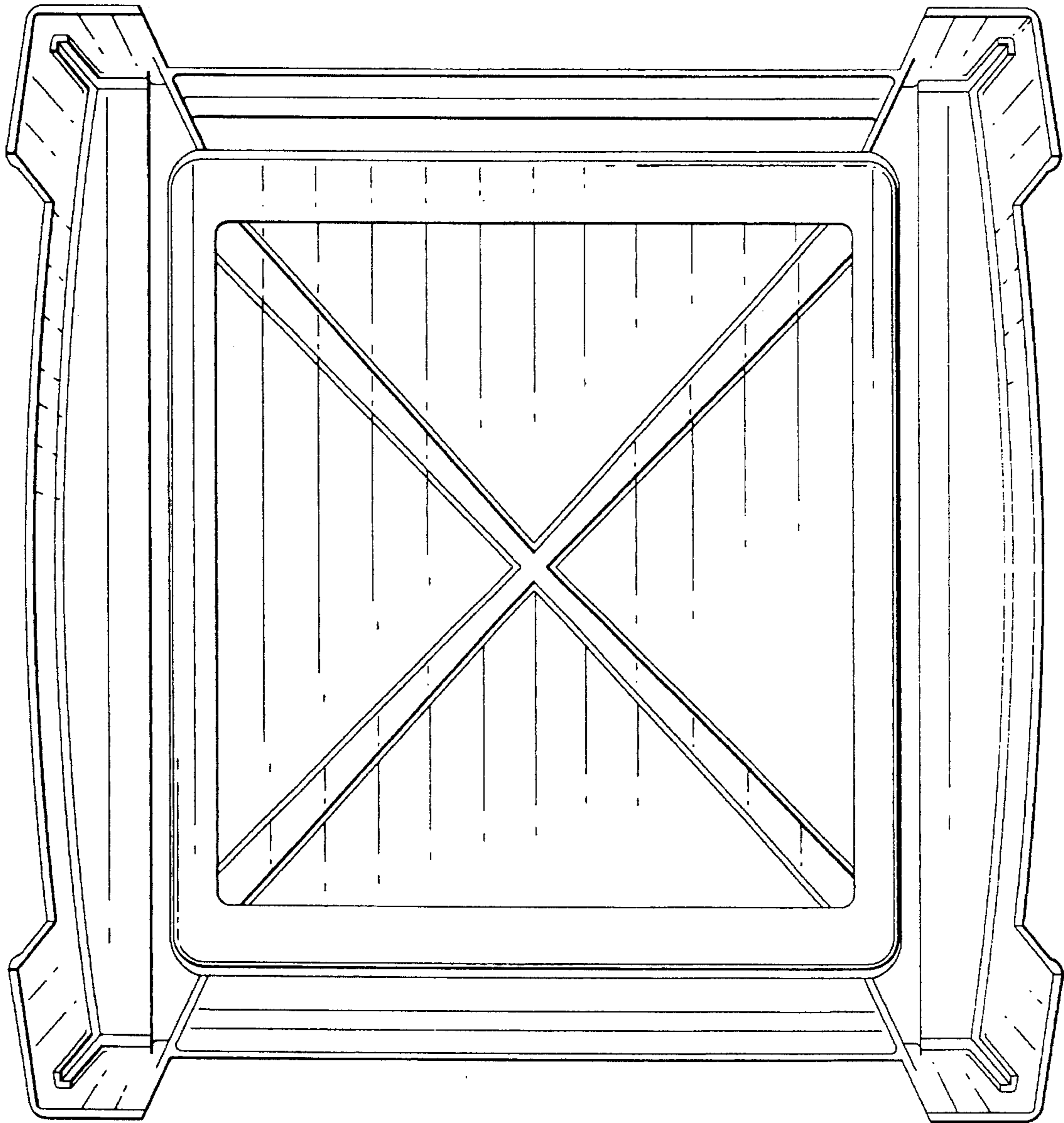


FIG. 6

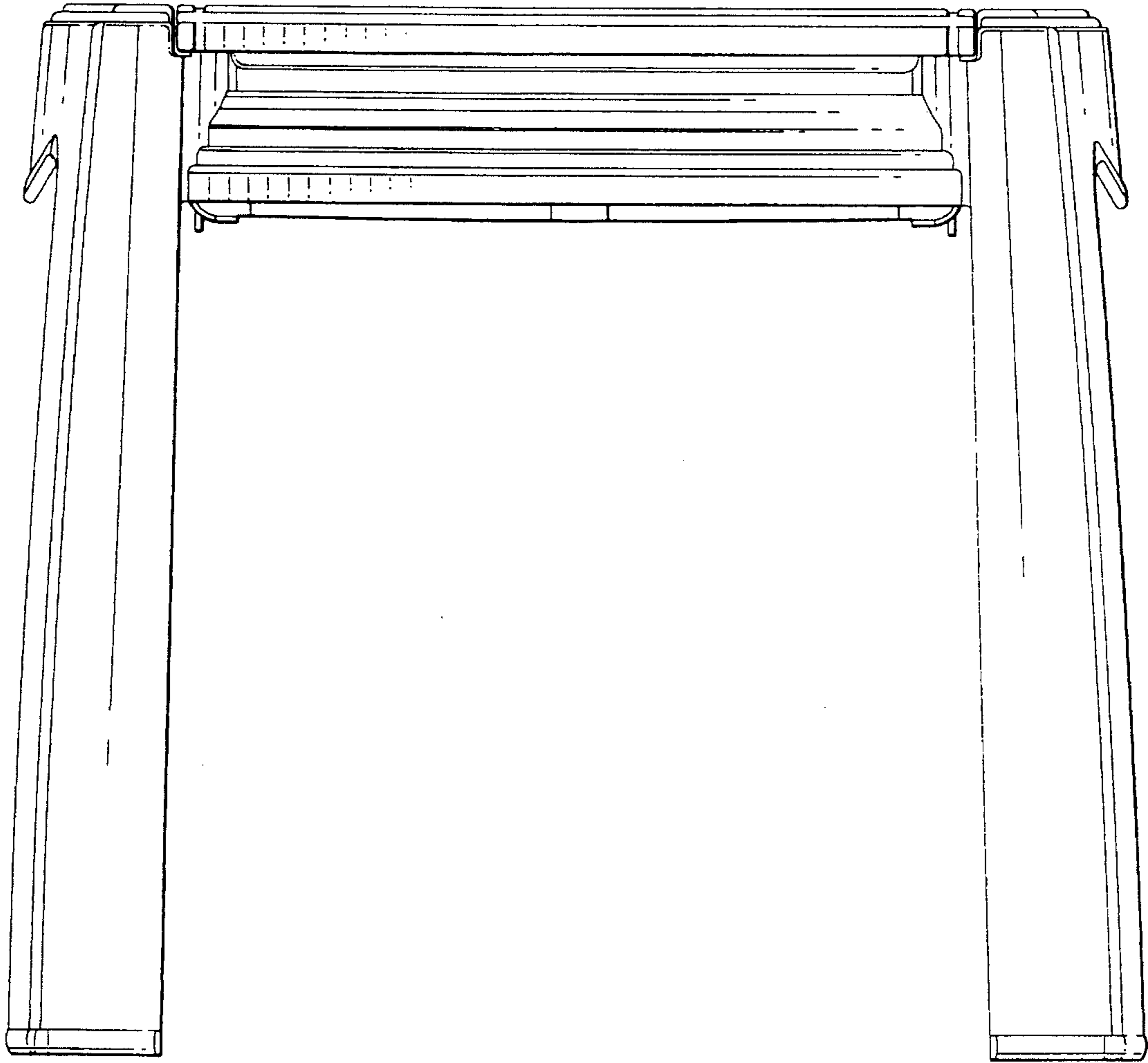


FIG. 7