



US00D372817S

**United States Patent** [19]  
**Stevens**

[11] **Patent Number: Des. 372,817**

[45] **Date of Patent: \*\*Aug. 20, 1996**

[54] **TWO-TIER SERVICE TABLE**

D. 318,966 8/1991 Schroff et al. .... D6/484 X  
2,628,141 2/1953 Scheuer ..... 211/186 X

[75] **Inventor: Kenneth V. Stevens, Brooklyn, N.Y.**

**OTHER PUBLICATIONS**

[73] **Assignee: King Arthur Div., Shelby Williams Industries, Statesville, N.C.**

The Office Cat., Nov. 1979, p. 168, Workstation Ad.  
Interiors Cat., Aug. 1969, p. 149, Tri Mark Design Ad.

[\*\*] **Term: 14 Years**

*Primary Examiner*—Alan P. Douglas  
*Assistant Examiner*—S. Snapp  
*Attorney, Agent, or Firm*—Ostrager, Chong & Flaherty, P.C.

[21] **Appl. No.: 38,952**

[57] **CLAIM**

[22] **Filed: May 17, 1995**

The ornamental design for a two-tier service table, as shown and described.

**Related U.S. Application Data**

**DESCRIPTION**

[63] Continuation-in-part of Ser. No. 1,125, Nov. 4, 1992, abandoned.

[52] **U.S. Cl.** ..... **D6/474**

[58] **Field of Search** ..... D6/468, 469, 471, D6/473, 474, 475, 476, 477, 479, 480; 312/116, 138.1, 140.1, 209, 242; D34/17, 20, 21

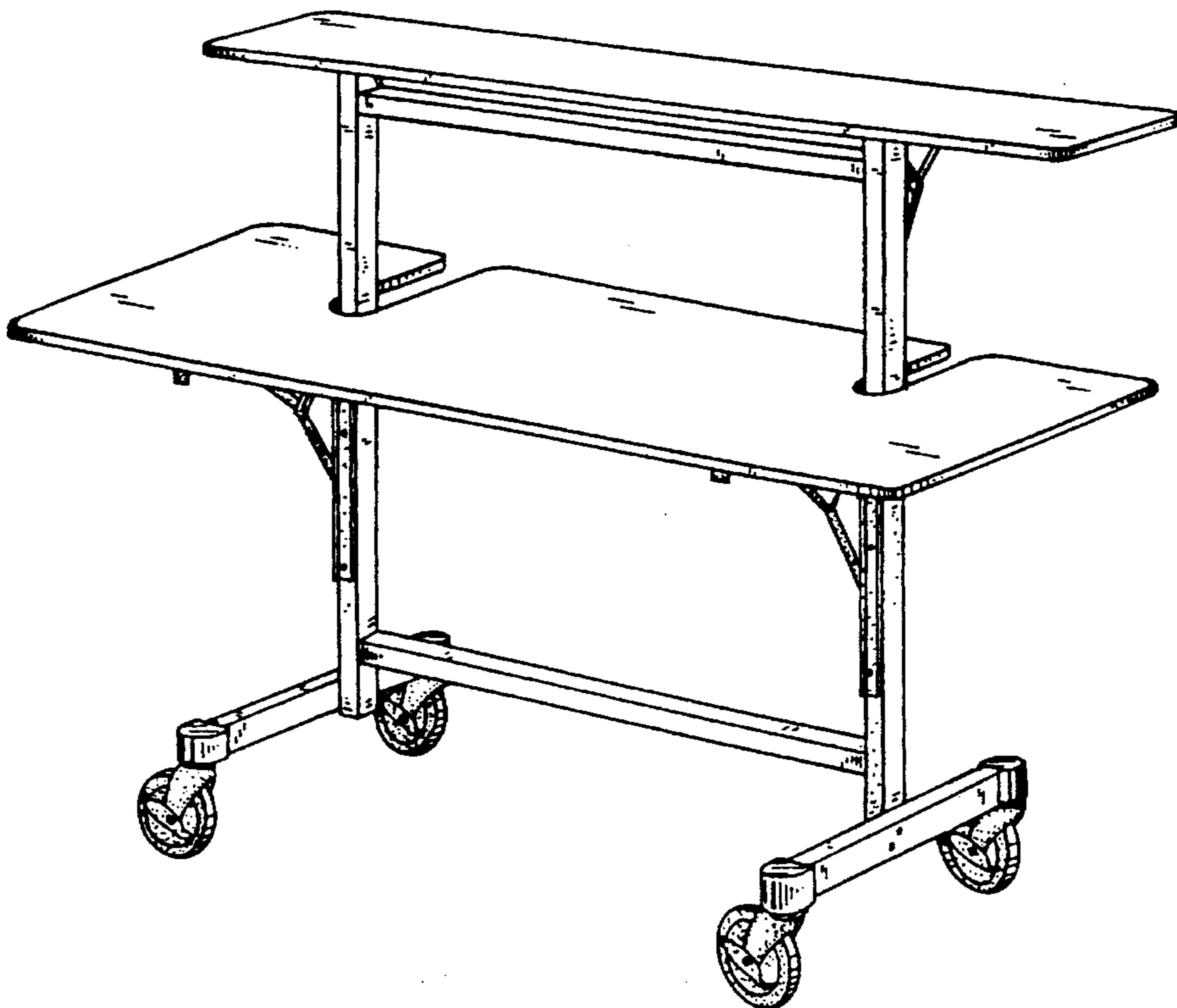
FIG. 1 is a front view in perspective showing my new design of a two-tier service table in fully open position; FIG. 2 is a front view in perspective showing the two-tier service table in partially folded position; FIG. 3 is a front view in perspective showing a variation of the two-tier service table with a lower shelf; FIG. 4 is a rear view in perspective showing the two-tier service table in fully folded position (and also showing its nesting with an identical other unit of the two-tier service table); FIG. 5 is a left side view showing the two-tier service table in fully folded position (and also showing its nesting with an identical other unit of the two-tier service table), the right side view being a mirror image thereof; FIG. 6 is a top view of the two-tier service table; and, FIG. 7 is a bottom view of the two-tier service table.

[56] **References Cited**

**U.S. PATENT DOCUMENTS**

D. 198,212	5/1964	Kasparian	.....	D6/480 X
D. 266,468	10/1982	Ylinko	.....	D6/484 X
D. 268,312	7/1984	Rompotti	.....	D6/474 X
D. 274,586	7/1984	Cope et al.	.....	D6/474 X
D. 283,094	3/1986	Strand et al.	.....	D6/484 X
D. 284,532	7/1986	Vogt	.....	D6/480 X
D. 288,750	3/1987	Friedman	.....	D6/477 X
D. 308,922	7/1990	Ng et al.	.....	D6/429 X

**1 Claim, 6 Drawing Sheets**



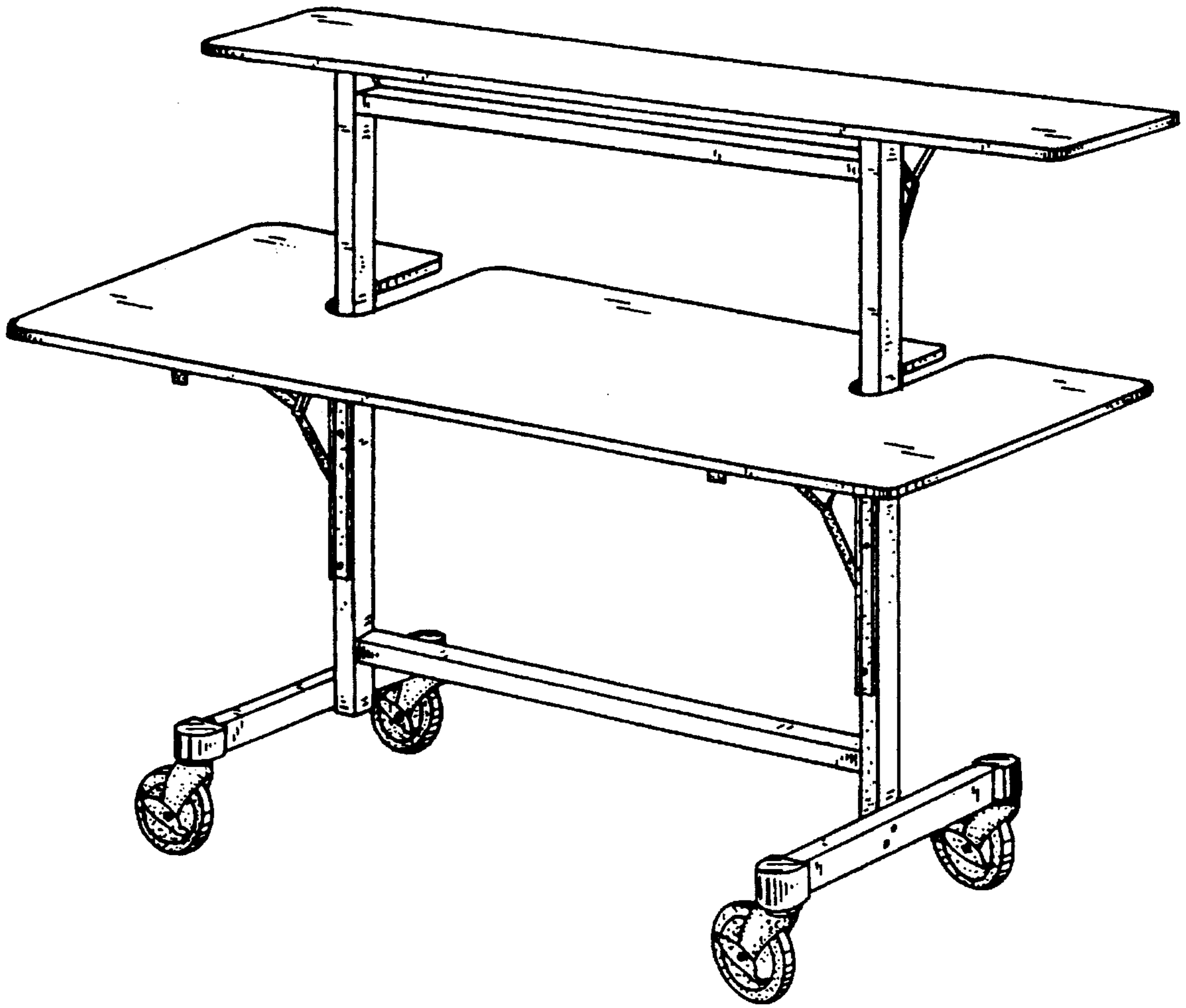


FIG. 1

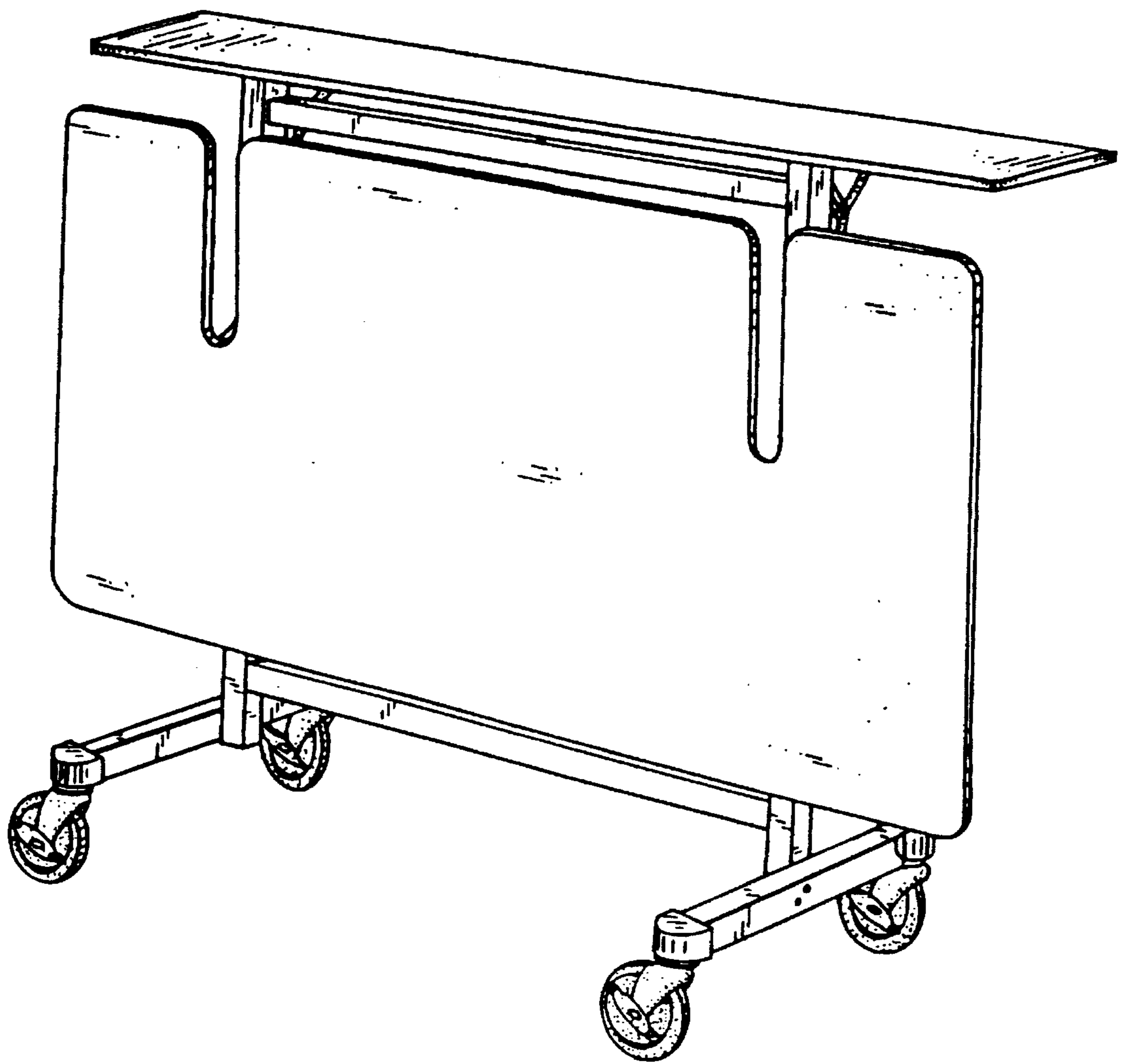


FIG. 2



FIG. 3

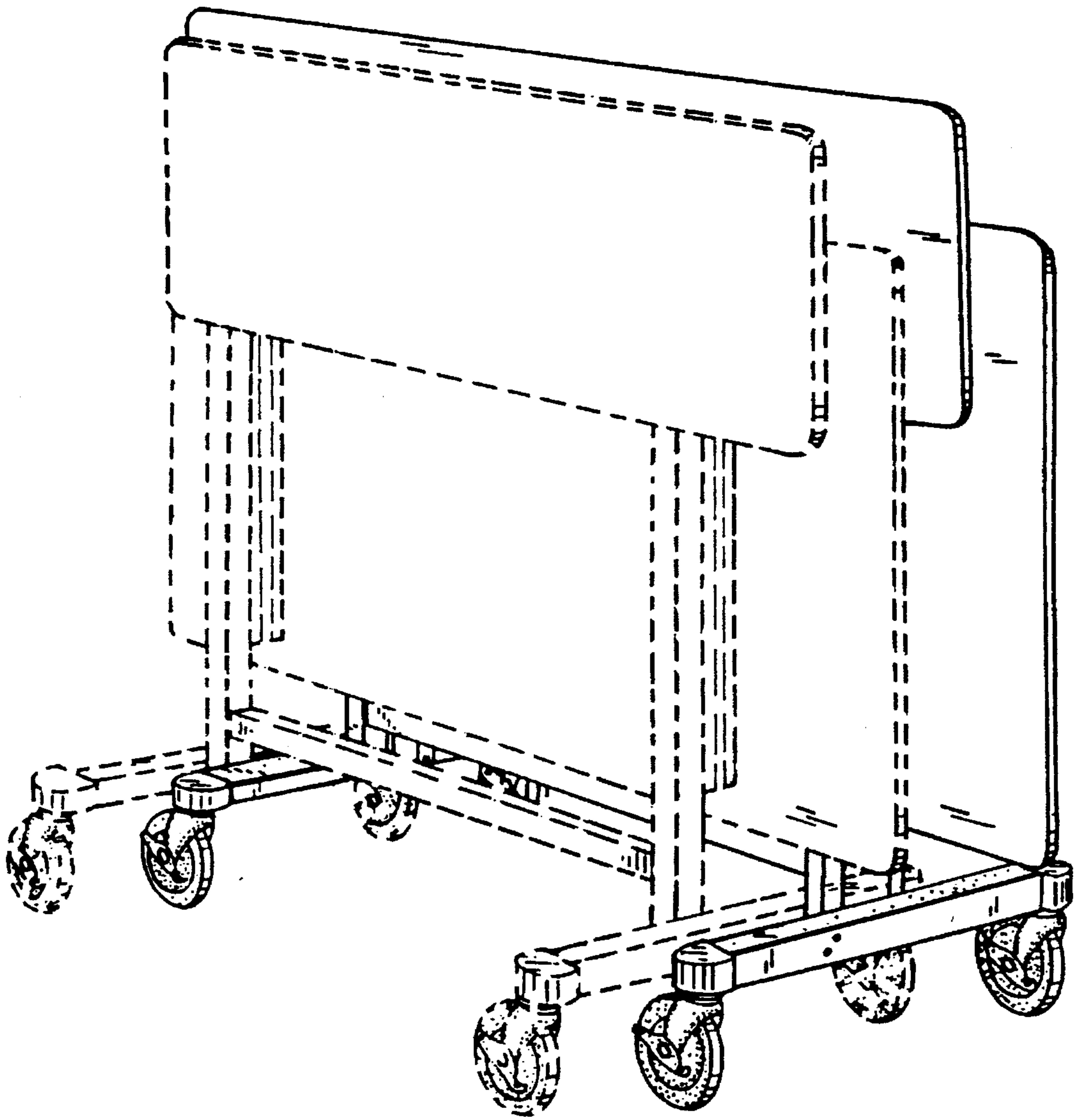


FIG. 4

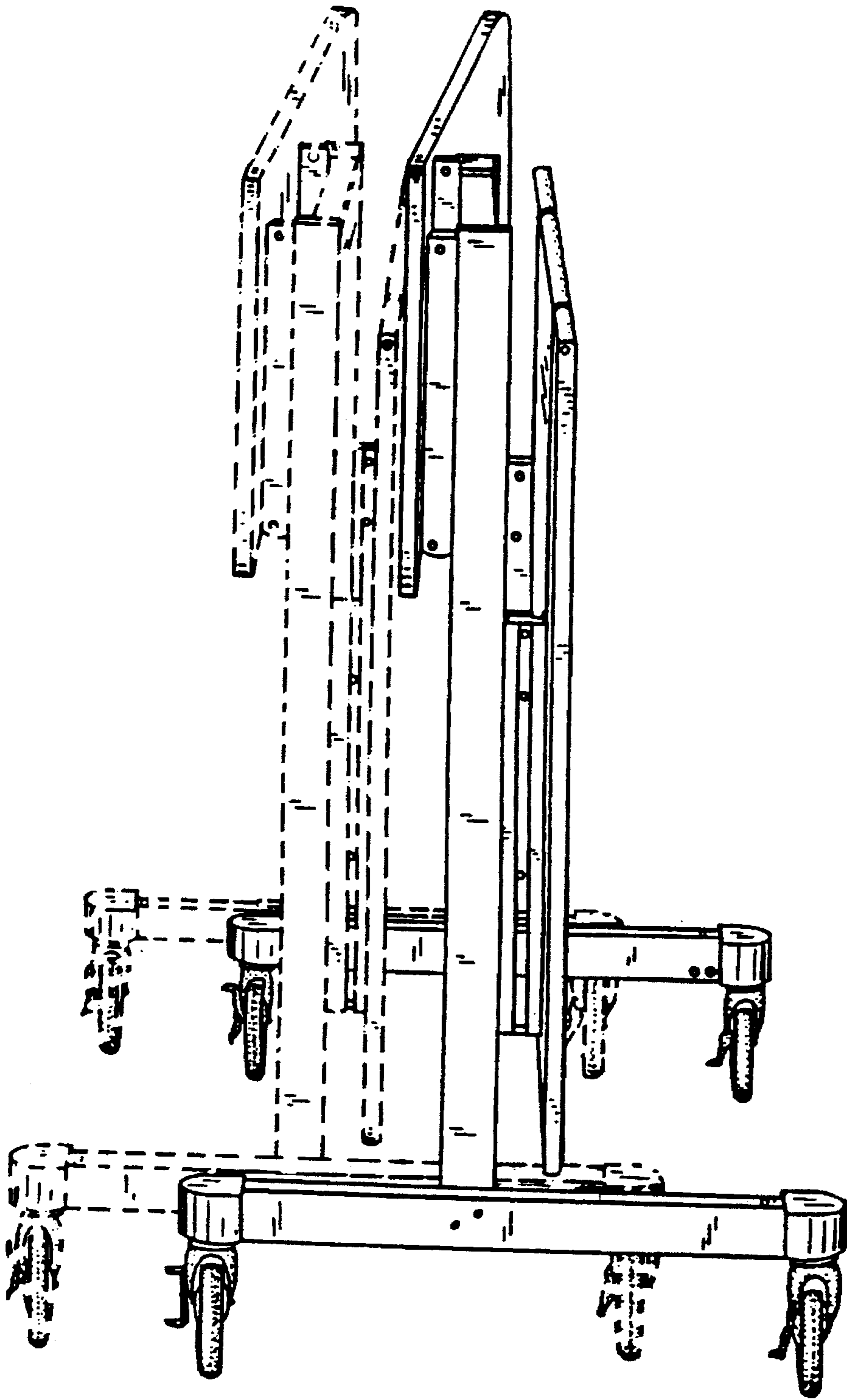


FIG. 5

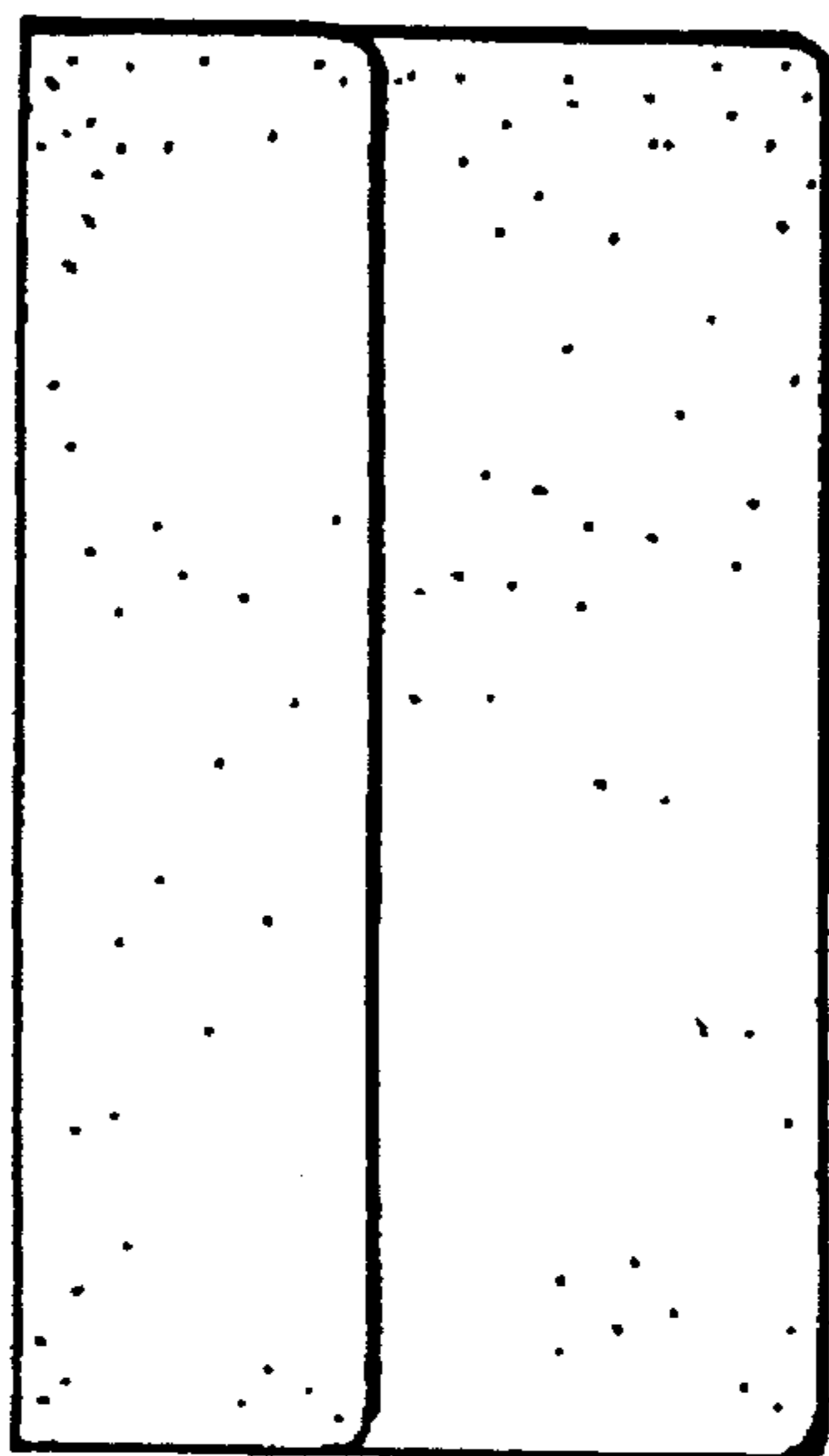


FIG. 6

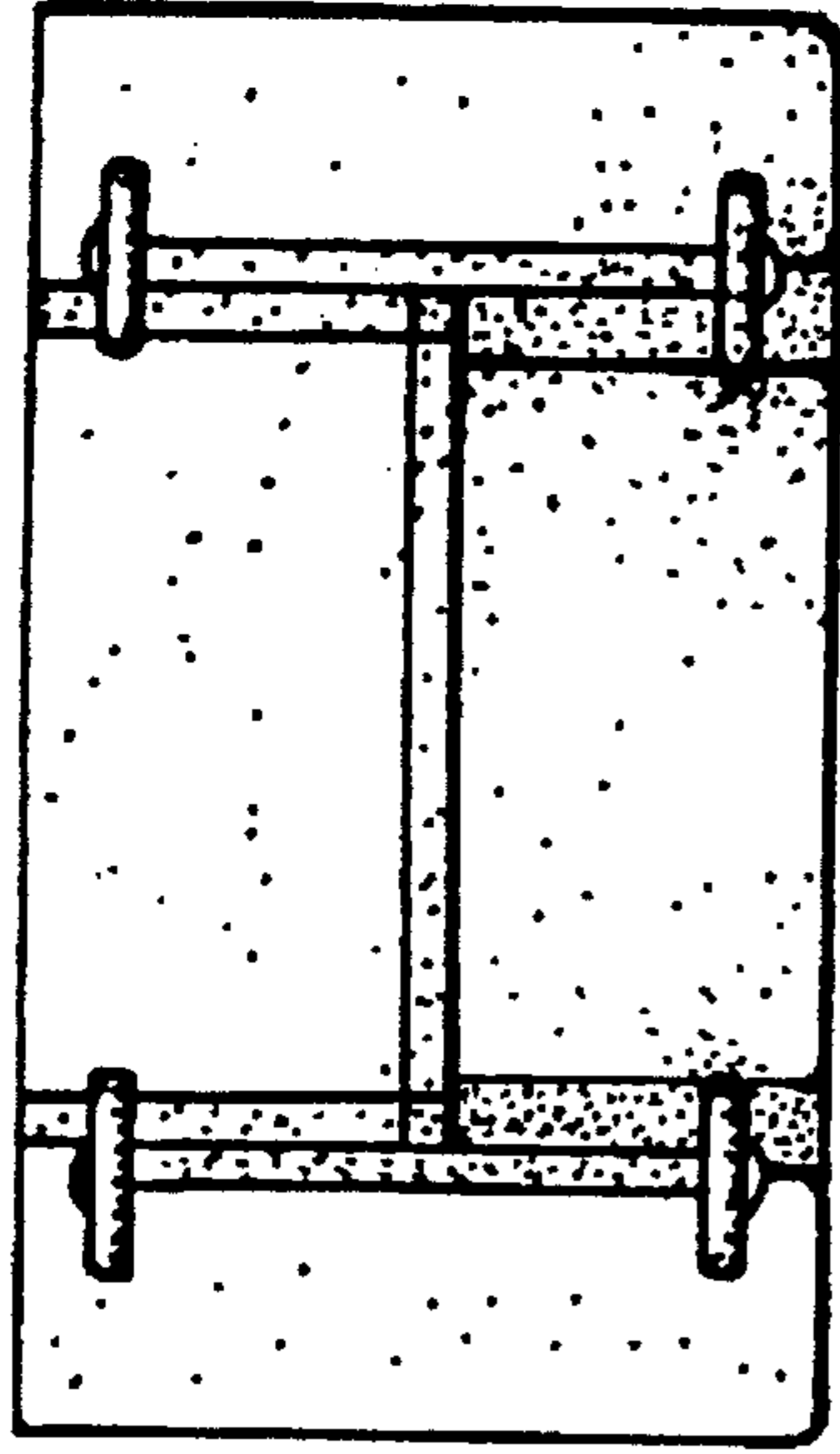


FIG. 7