



US00D372811S

United States Patent [19]

Muller-Deisig et al.

[11] Patent Number: **Des. 372,811**

[45] Date of Patent: ****Aug. 20, 1996**

[54] **TABLE WORK STATION**

[75] Inventors: **Wolfgang Muller-Deisig**, Berlin, Germany; **Alexander H. A. M. Dankers**, Berkel-Enshot, Netherlands

[73] Assignee: **Assenburg, B.V.**, EA Tilburg, Netherlands

[**] Term: **14 Years**

[21] Appl. No.: **37,695**

[22] Filed: **Apr. 18, 1995**

[30] **Foreign Application Priority Data**

Oct. 19, 1994 [BX] Benelux TM/Des. Off. 70186-01/11

[52] U.S. Cl. **D6/399**; D6/426

[58] Field of Search D6/396, 397, 399, D6/422-428, 474, 477; 312/194-196; 108/59, 60

[56] **References Cited**

U.S. PATENT DOCUMENTS

D. 162,594 3/1951 Tames D6/399

D. 266,463	10/1982	Scott	D6/399
D. 268,312	3/1983	Römpötti	D6/399
D. 286,233	10/1986	Schreiner	D6/397
D. 306,101	2/1990	Borsani	D6/399
D. 330,124	10/1992	Short	D6/422
D. 334,489	4/1993	Greutmann et al.	D6/423
D. 362,761	10/1995	Hood	D6/397

Primary Examiner—Carmen H. Vales-Lado
Attorney, Agent, or Firm—Ladas & Parry

[57] **CLAIM**

The ornamental design for a table work station, as shown.

DESCRIPTION

FIG. 1 is a front perspective view of a table work station showing our new design;

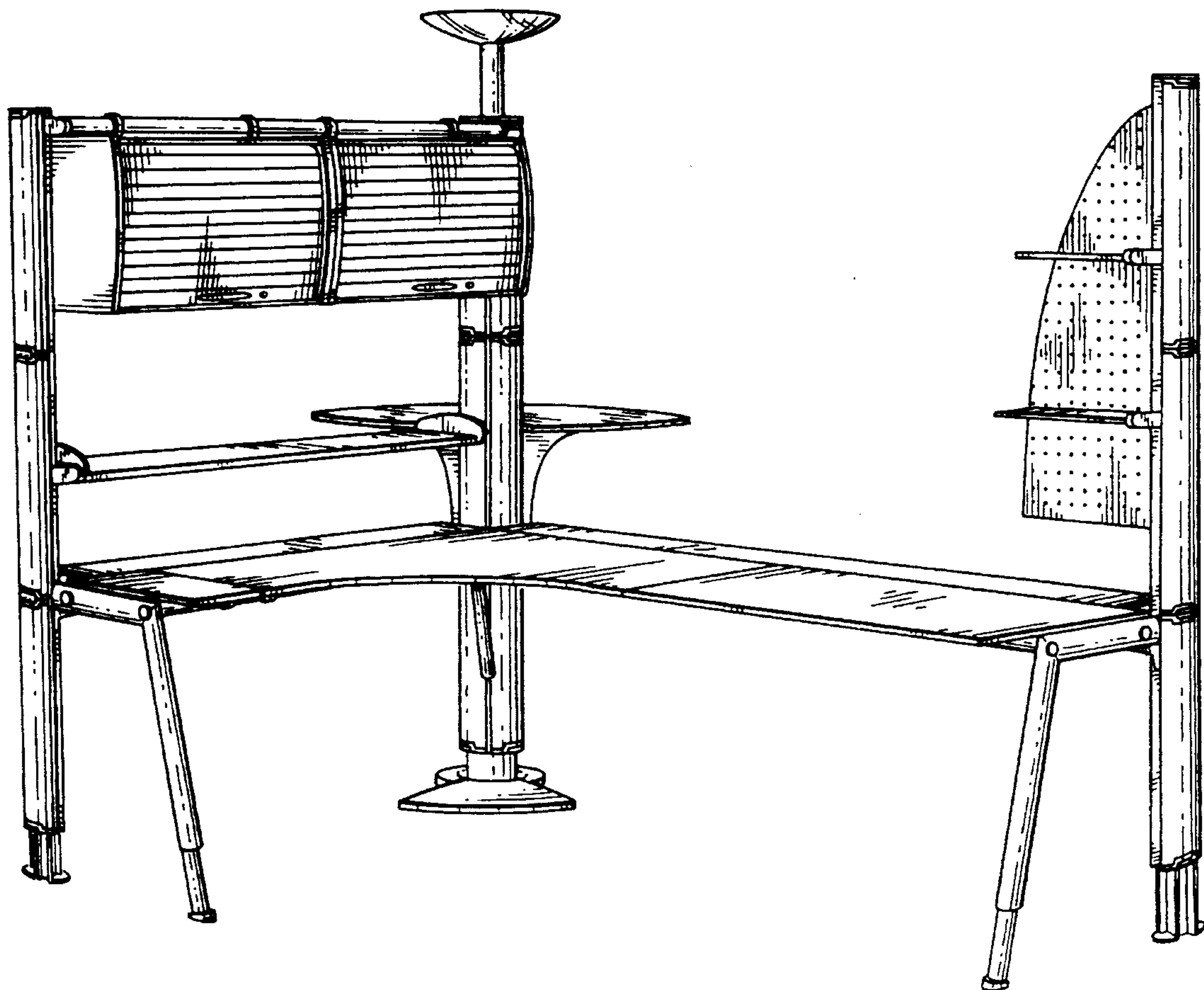
FIG. 2 is a rear elevational view thereof;

FIG. 3 is a right side elevational view thereof;

FIG. 4 is a top plan view thereof; and,

FIG. 5 is a bottom plan view thereof.

1 Claim, 5 Drawing Sheets



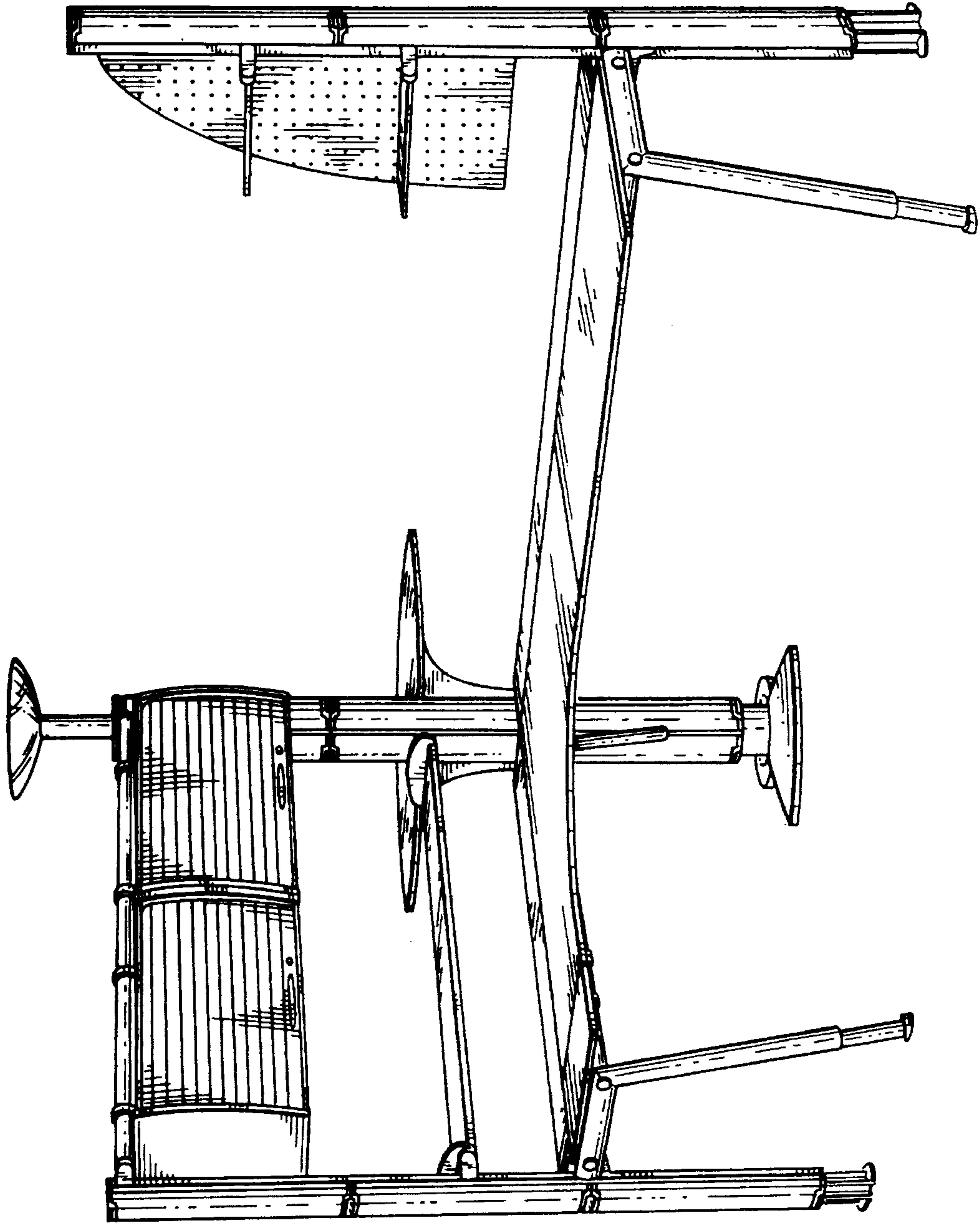
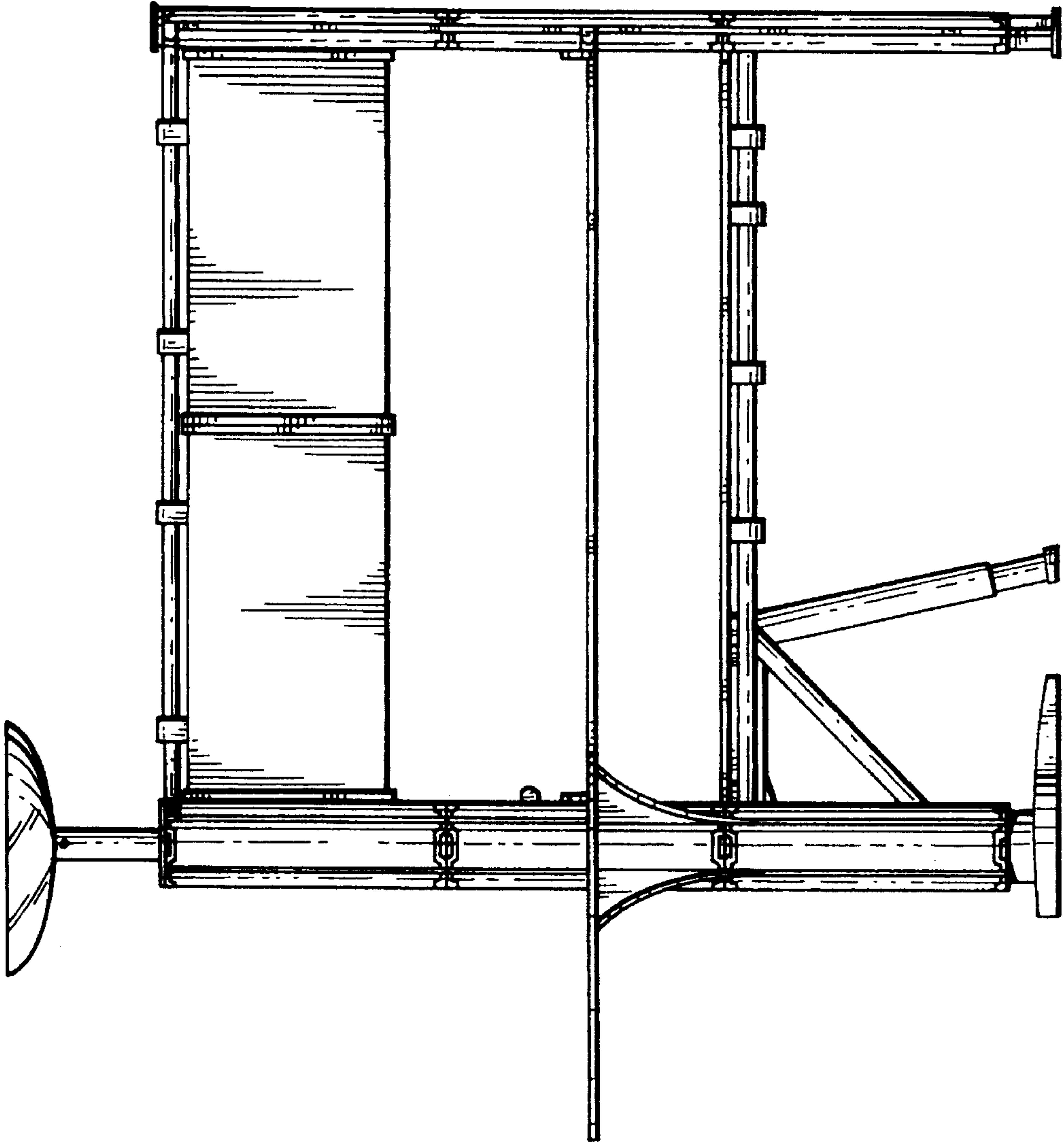


FIG. 1

FIG. 2



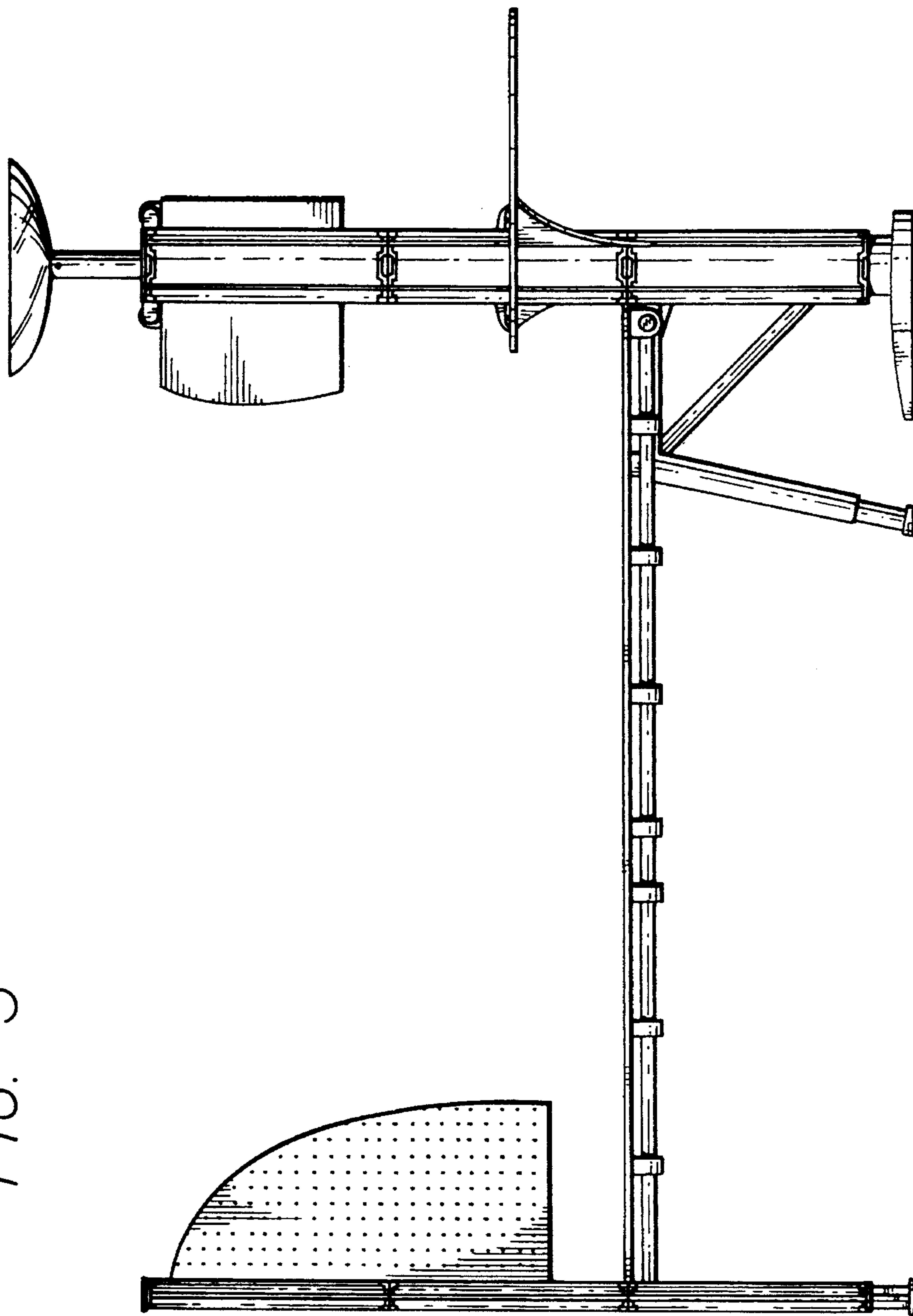


FIG. 3

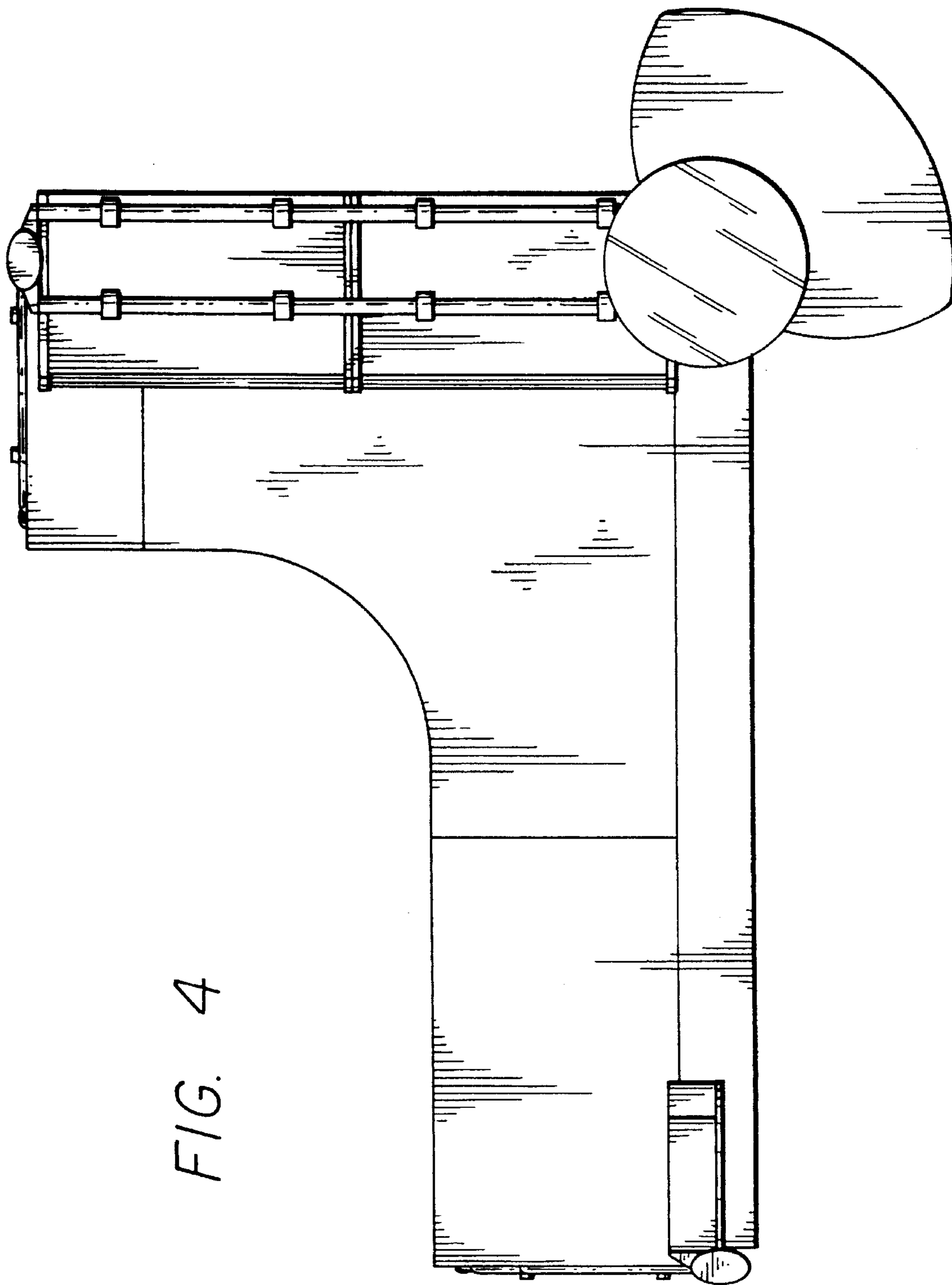


FIG. 4

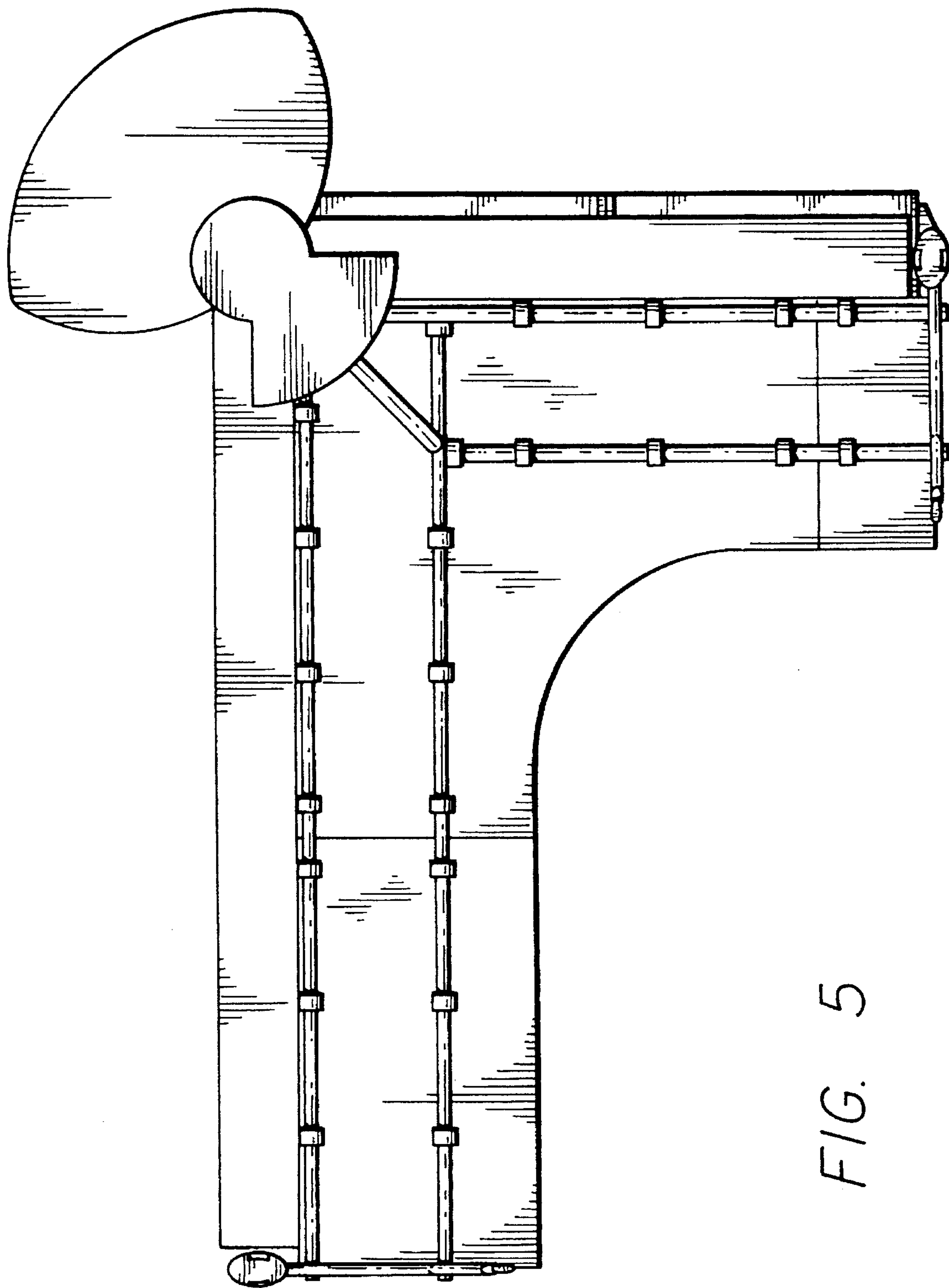


FIG. 5