



US00D372810S

# United States Patent [19] Hardy

[11] Patent Number: **Des. 372,810**

[45] Date of Patent: **\*\*Aug. 20, 1996**

[54] **CANDLE HOLDER BASE**

[75] Inventor: **Christopher Hardy**, Springfield, Ill.

[73] Assignee: **Design Ideas, Ltd.**, Springfield, Ill.

[\*\*] Term: **14 Years**

[21] Appl. No.: **33,331**

[22] Filed: **Jan. 10, 1995**

[52] U.S. Cl. .... **D6/396**; D6/403; D6/404;  
D6/405; D26/9; D26/13

[58] Field of Search ..... D26/9-13, 20-22;  
431/290-2, 296-7, 299; 362/161-3; D11/143;  
D6/396, 403-405, 556-558

[56] **References Cited**

**U.S. PATENT DOCUMENTS**

D. 167,555	8/1952	Bisharat	.....	D6/462
D. 193,438	8/1962	Holt	.....	D26/13
D. 199,406	10/1964	Terrell	.....	D6/405
D. 227,627	7/1973	Stephenson	.....	D6/405
D. 228,589	10/1973	Moretini	.....	D6/405
D. 254,174	2/1980	Horback	.....	D6/405

D. 282,701	2/1986	Tomlin	.....	D6/405
D. 300,699	4/1989	Penrod	.....	D6/405

*Primary Examiner*—A. Hugo Word  
*Assistant Examiner*—Robin V. Taylor  
*Attorney, Agent, or Firm*—Saidman DesignLaw Group

[57] **CLAIM**

The ornamental design for a candle holder base, as shown and described.

**DESCRIPTION**

FIG. 1 is a perspective view of a candle holder base showing my new design;  
FIG. 2 is a front view thereof;  
FIG. 3 is a rear view thereof;  
FIG. 4 is a right side view thereof;  
FIG. 5 is a left side view thereof;  
FIG. 6 is a top view thereof; and,  
FIG. 7 is a bottom view thereof.

The broken lines in FIG. 1 represent candle holders which are environmental only and form no part of the claimed design.

**1 Claim, 4 Drawing Sheets**

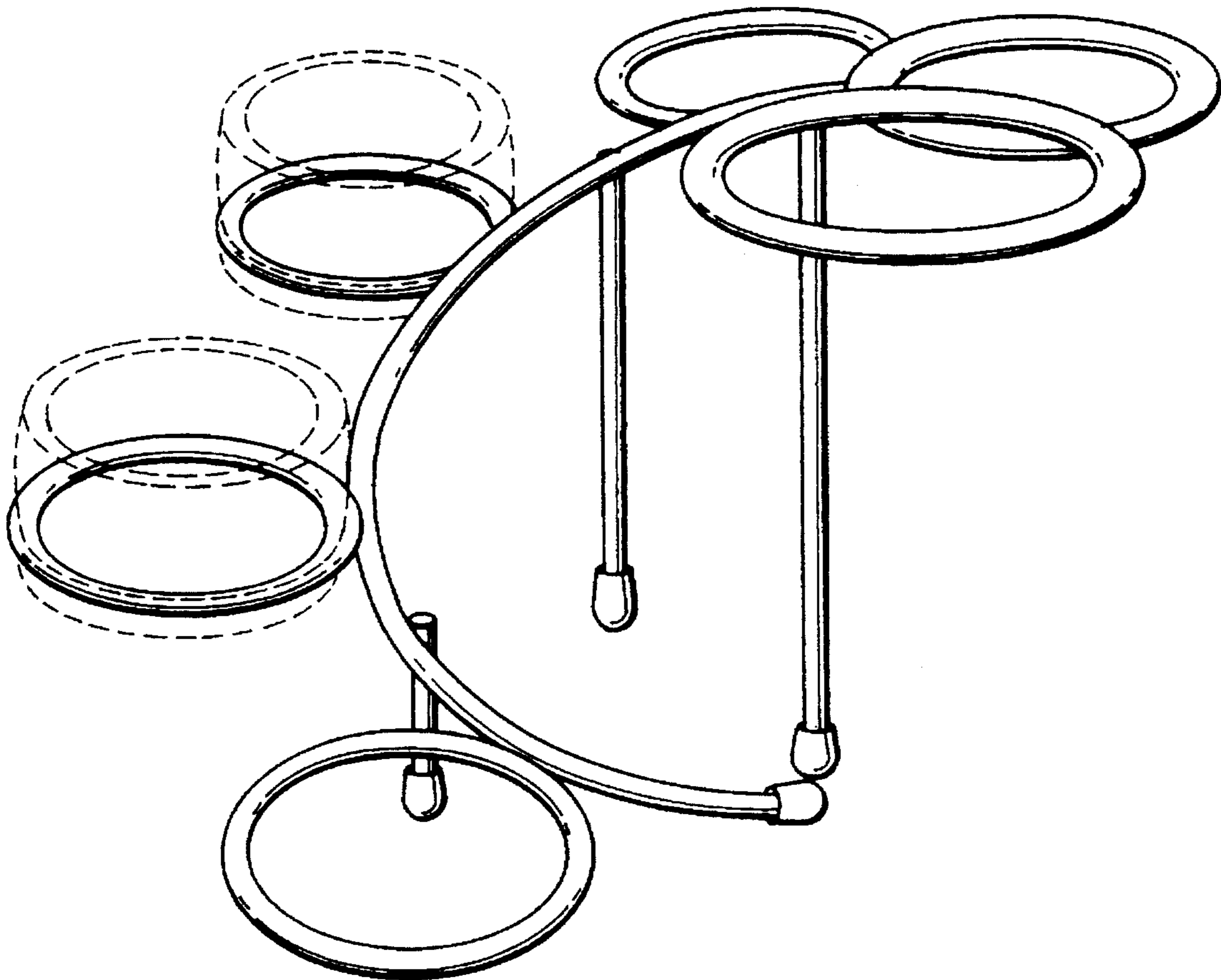


FIG. 1

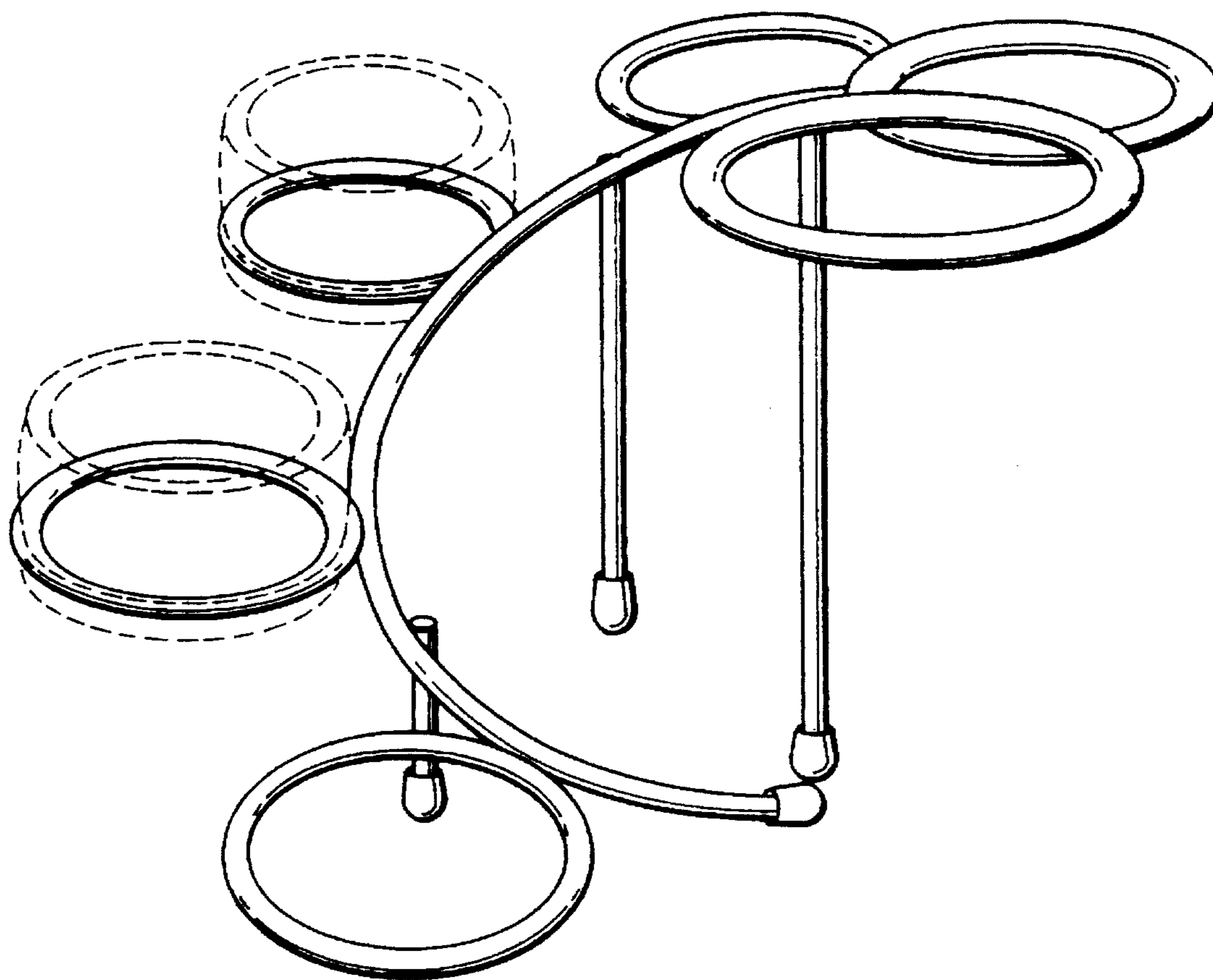


FIG. 2

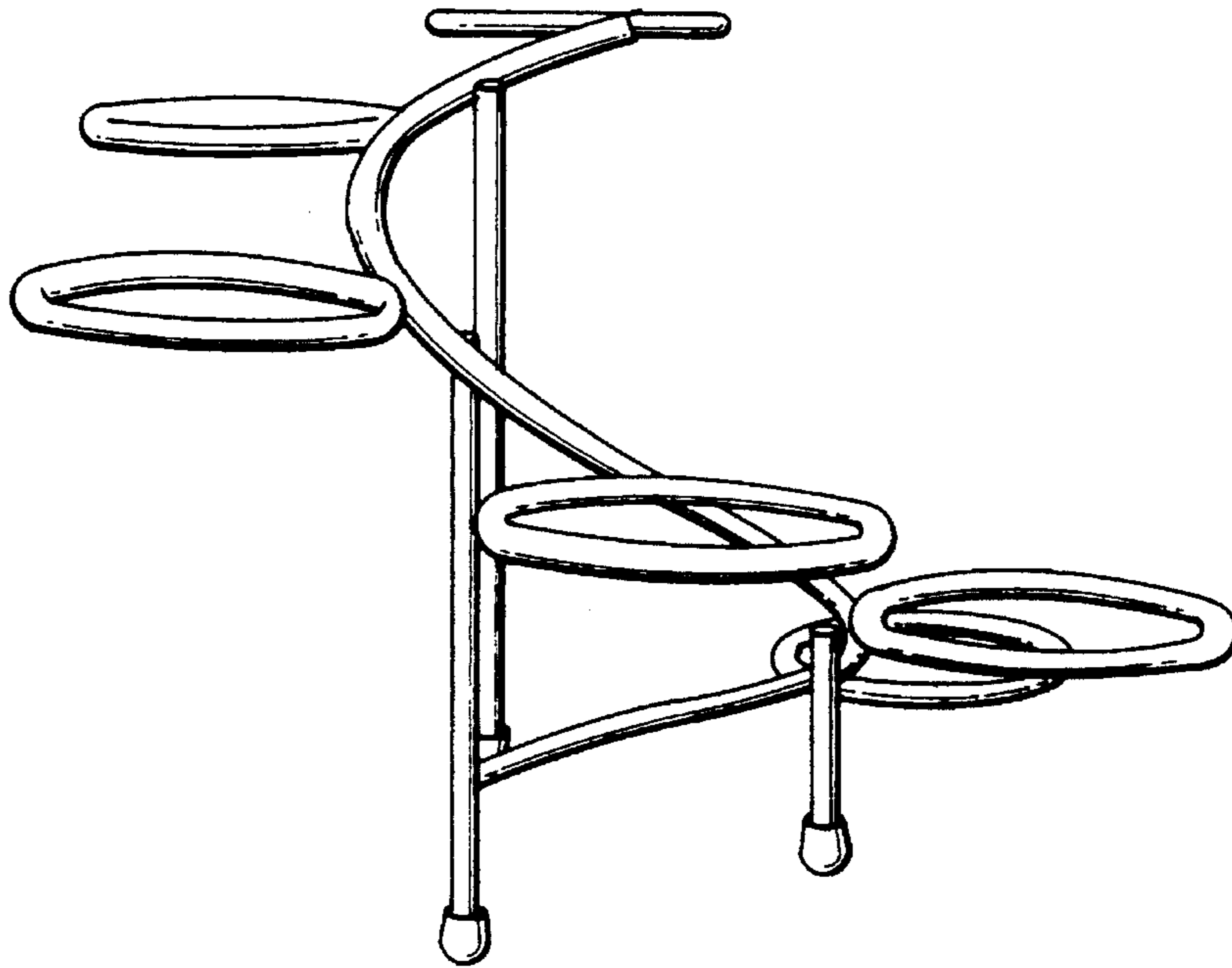


FIG. 3

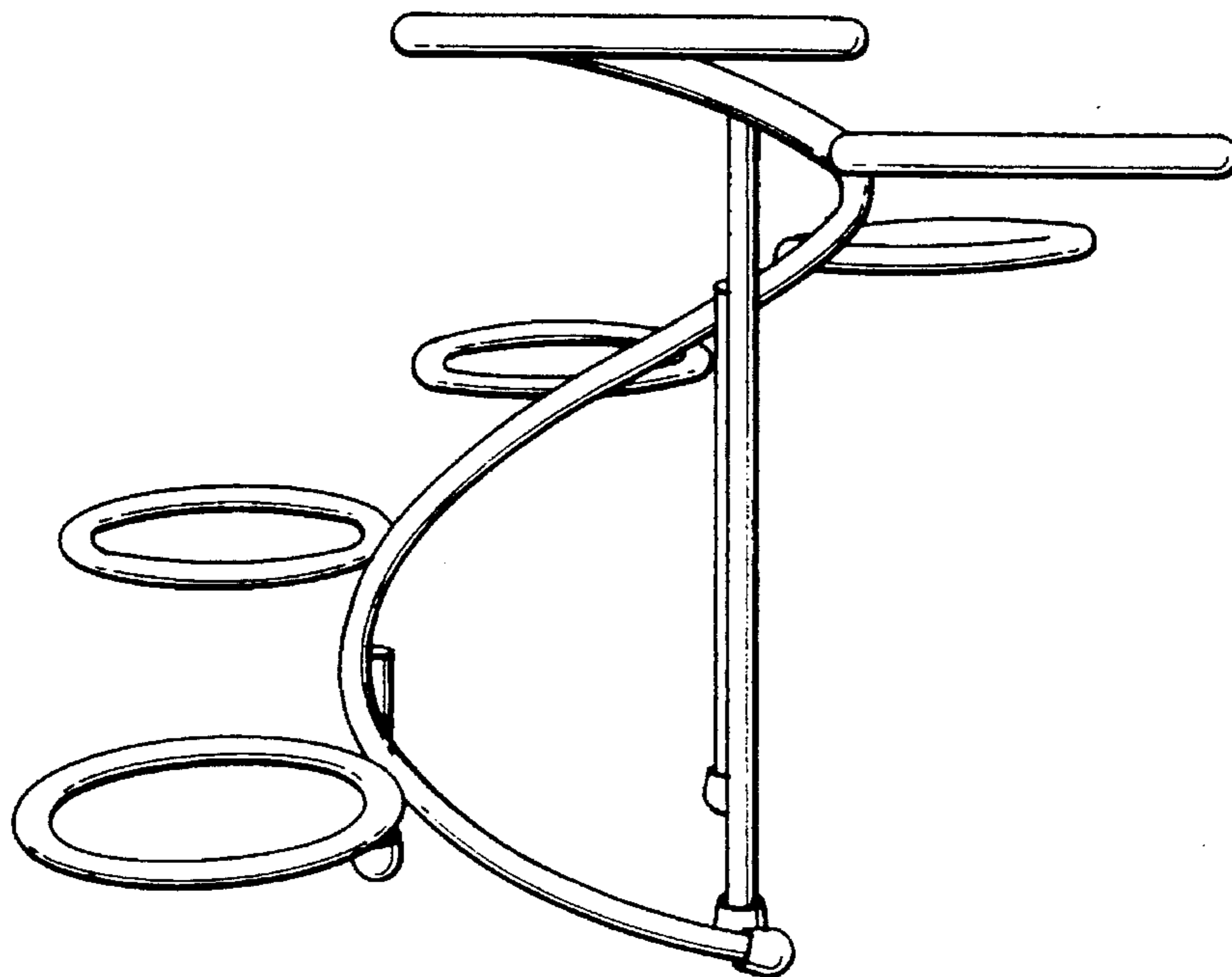


FIG. 4

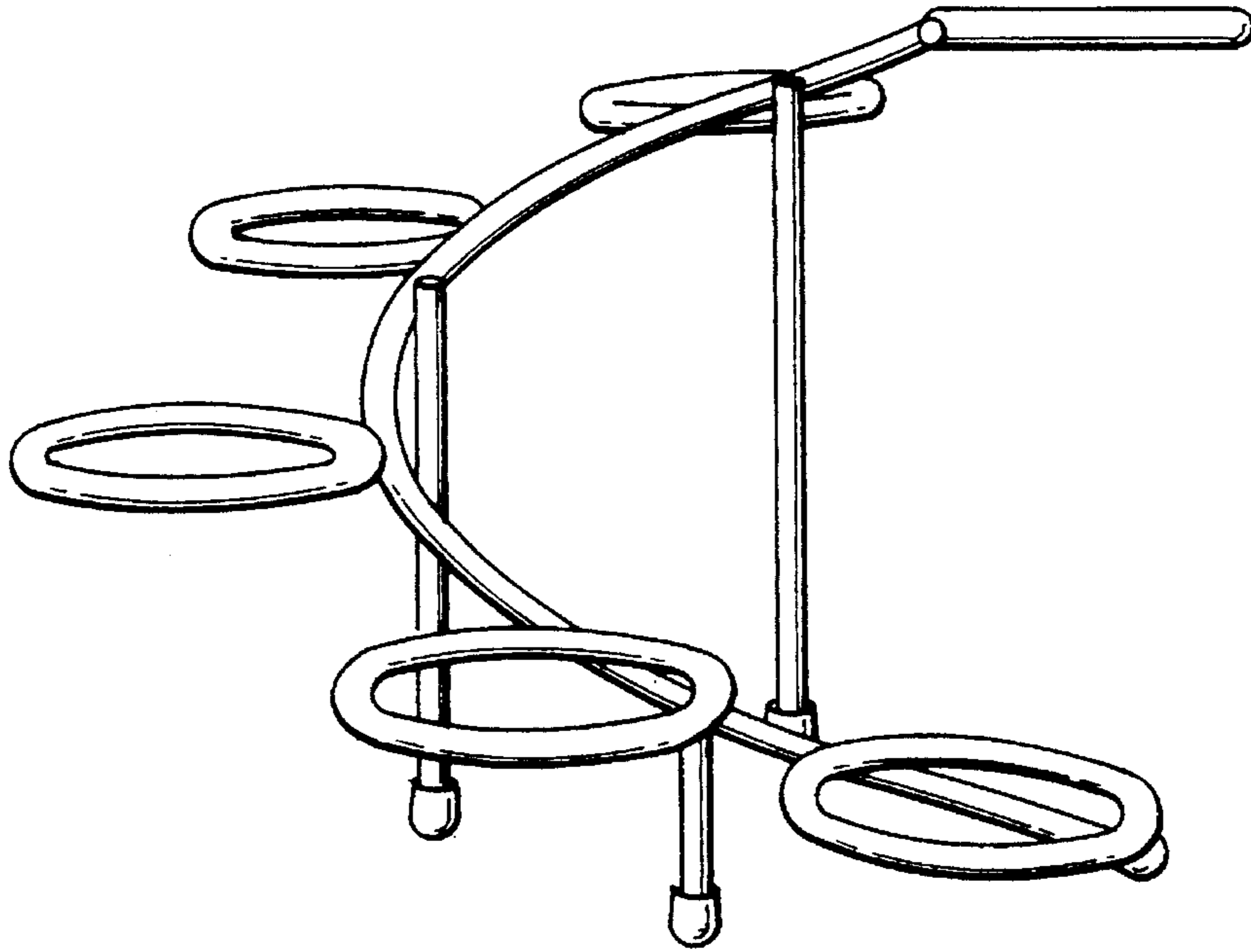


FIG. 5

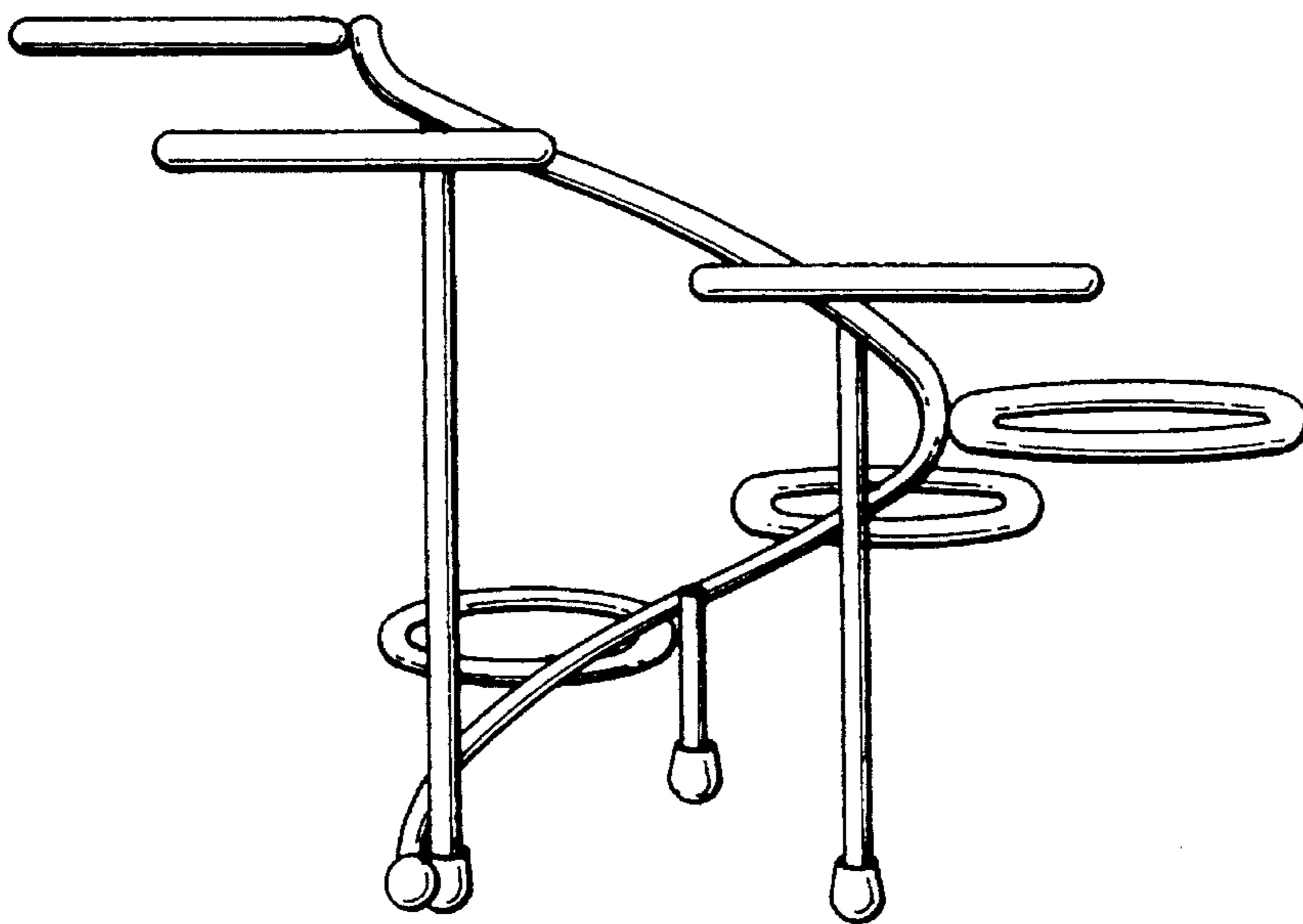


FIG. 6

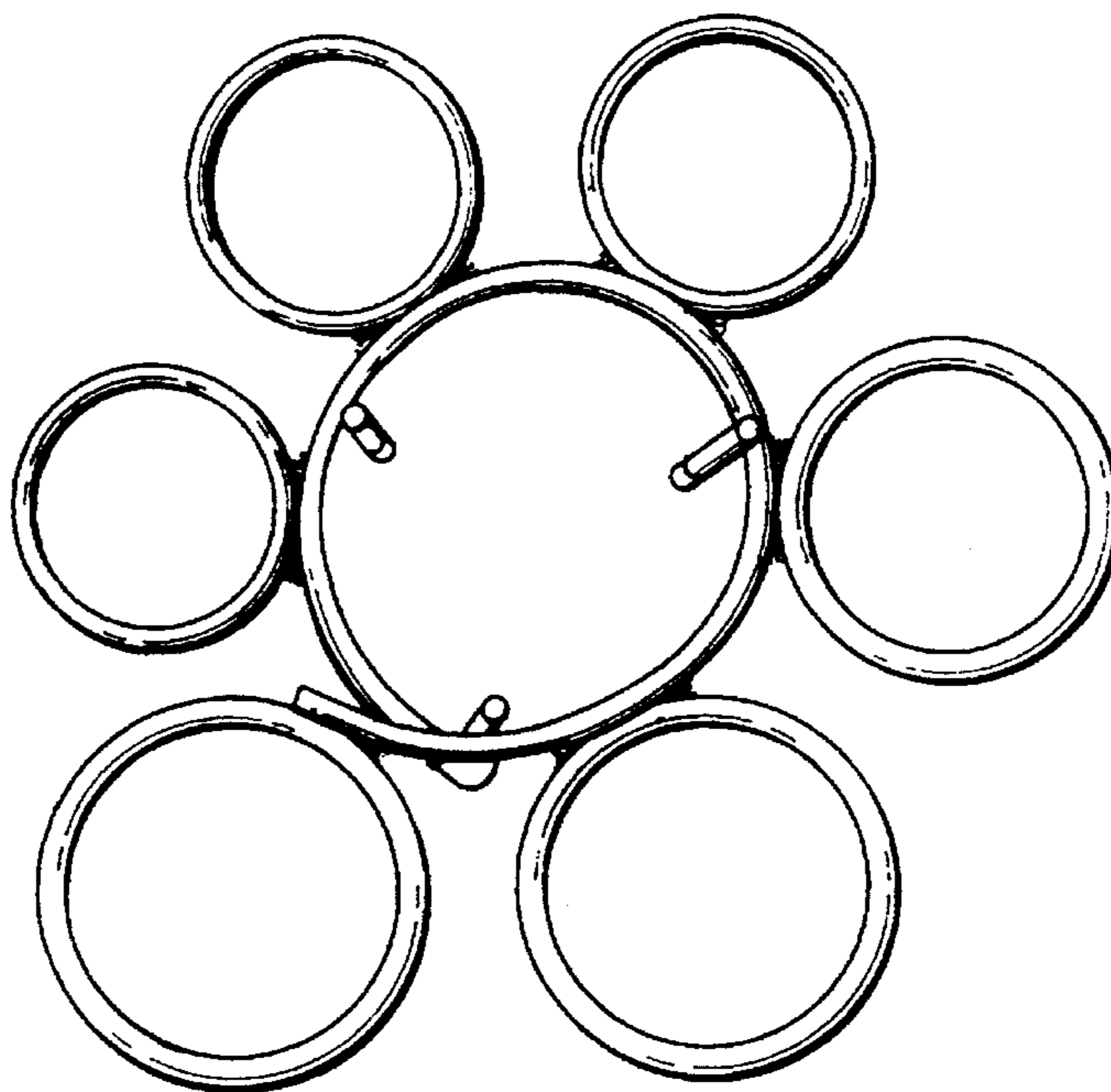


FIG. 7

