



US00D372807S

United States Patent [19]
Huang

[11] **Patent Number: Des. 372,807**
[45] **Date of Patent: **Aug. 20, 1996**

[54] **SIDE CHAIN**

D. 349,612 8/1994 Ward D6/370

[75] Inventor: **Ching-Fu Huang**, Kaohsiung Hsien,
Taiwan

Primary Examiner—Gary D. Watson
Attorney, Agent, or Firm—Morton J. Rosenberg; David I. Klein

[73] Assignee: **Leefu Wood Products Co., Ltd.**,
Kaohsiung, Taiwan

[57] **CLAIM**

[**] Term: **14 Years**

The ornamental design for a side chair, as shown and described.

[21] Appl. No.: **44,824**

DESCRIPTION

[22] Filed: **Oct. 2, 1995**

[52] U.S. Cl. **D6/380; D6/370**

[58] **Field of Search** D6/334, 358, 370,
D6/374, 379, 380, 500, 501, 502; 297/445.1

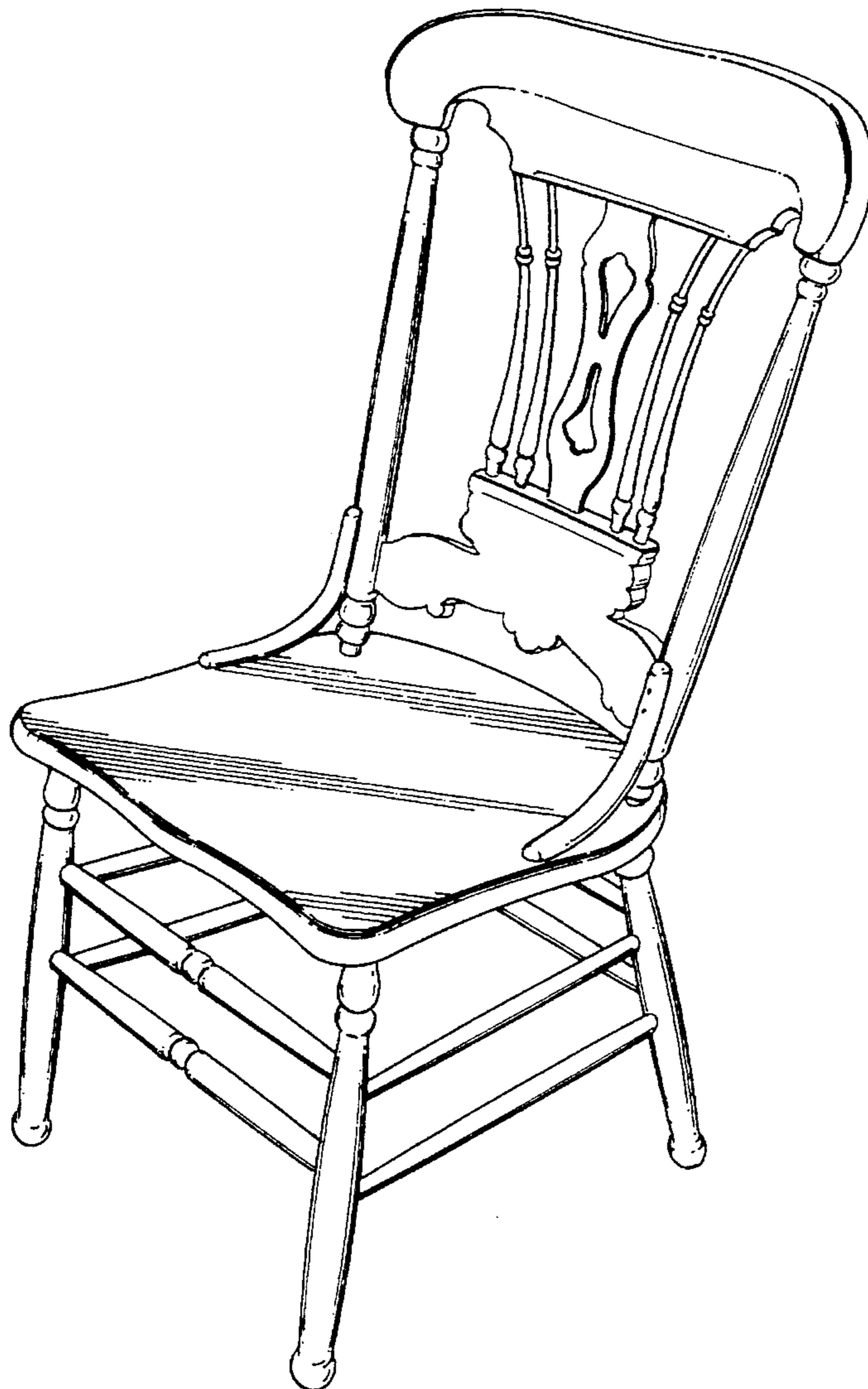
FIG. 1 is a perspective view of a side chair showing my new design;
FIG. 2 is a front elevational view thereof;
FIG. 3 is a rear elevational view thereof;
FIG. 4 is a left side elevational view thereof;
FIG. 5 is a right side elevational view thereof;
FIG. 6 is a top plan view thereof; and,
FIG. 7 is a bottom plan view thereof.

[56] **References Cited**

U.S. PATENT DOCUMENTS

- D. 42,618 6/1912 Collins D6/374
- D. 71,174 10/1926 Cooper D6/334
- D. 290,192 6/1987 Lee D6/358

1 Claim, 4 Drawing Sheets



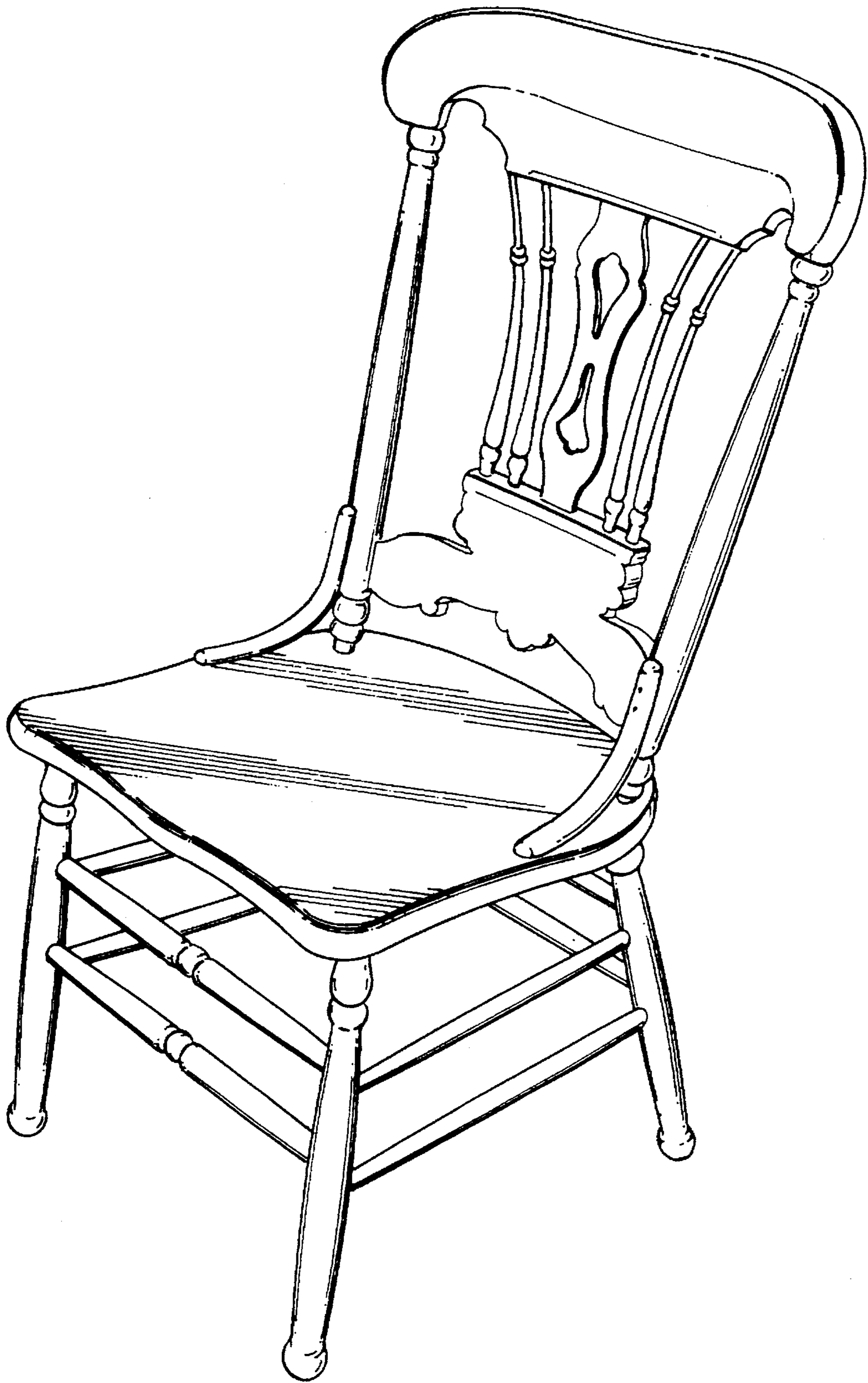


FIG. 1

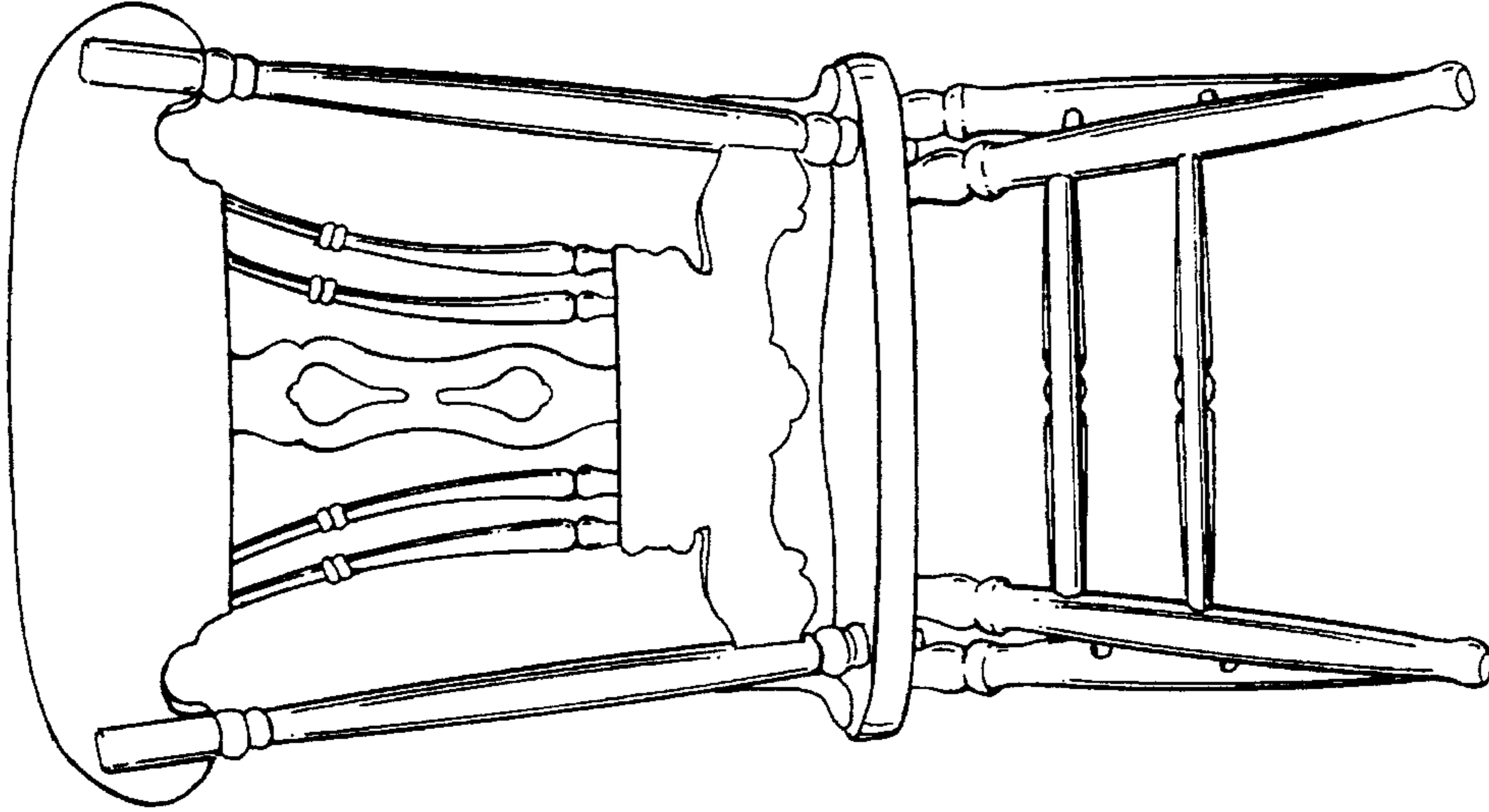


FIG. 3

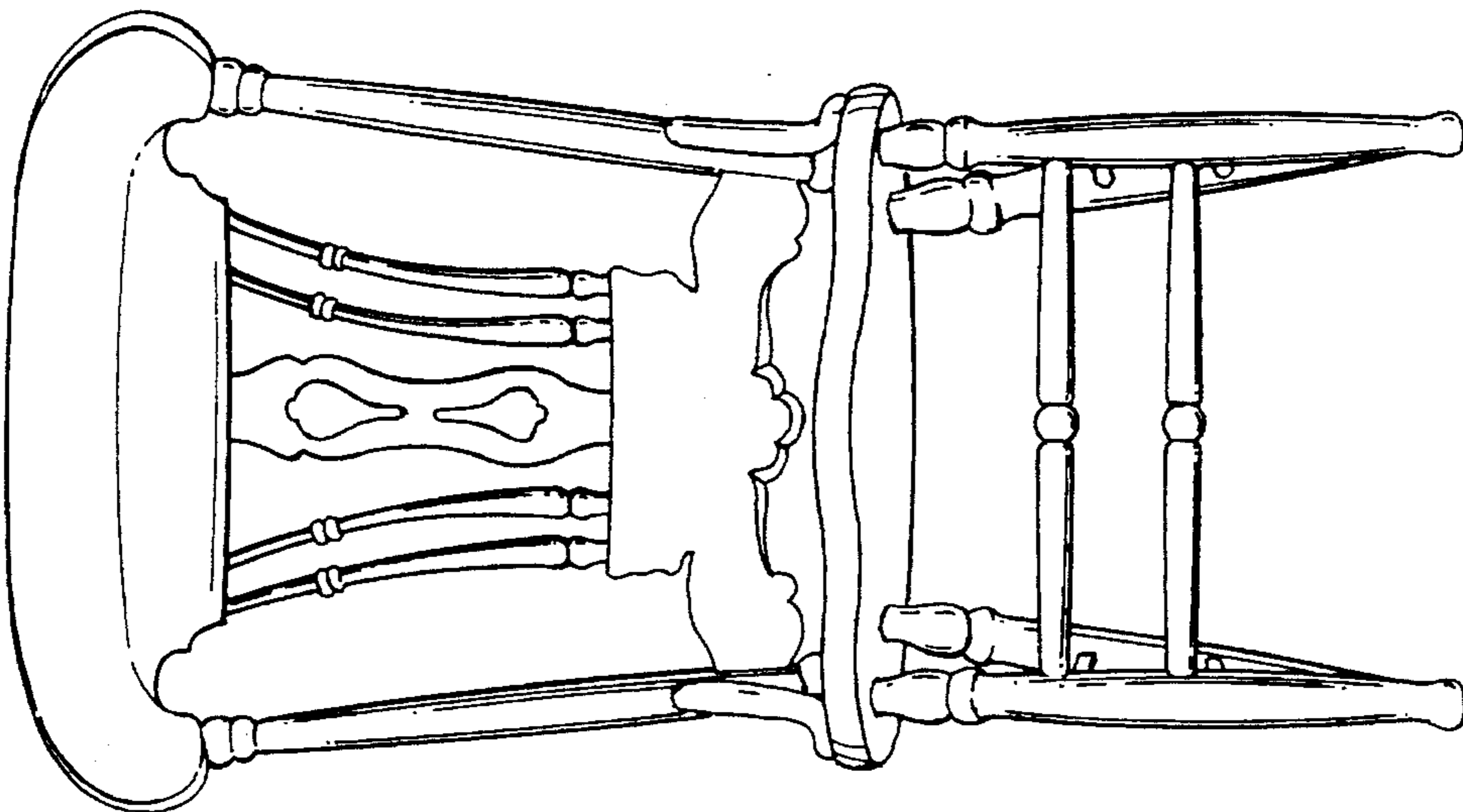


FIG. 2

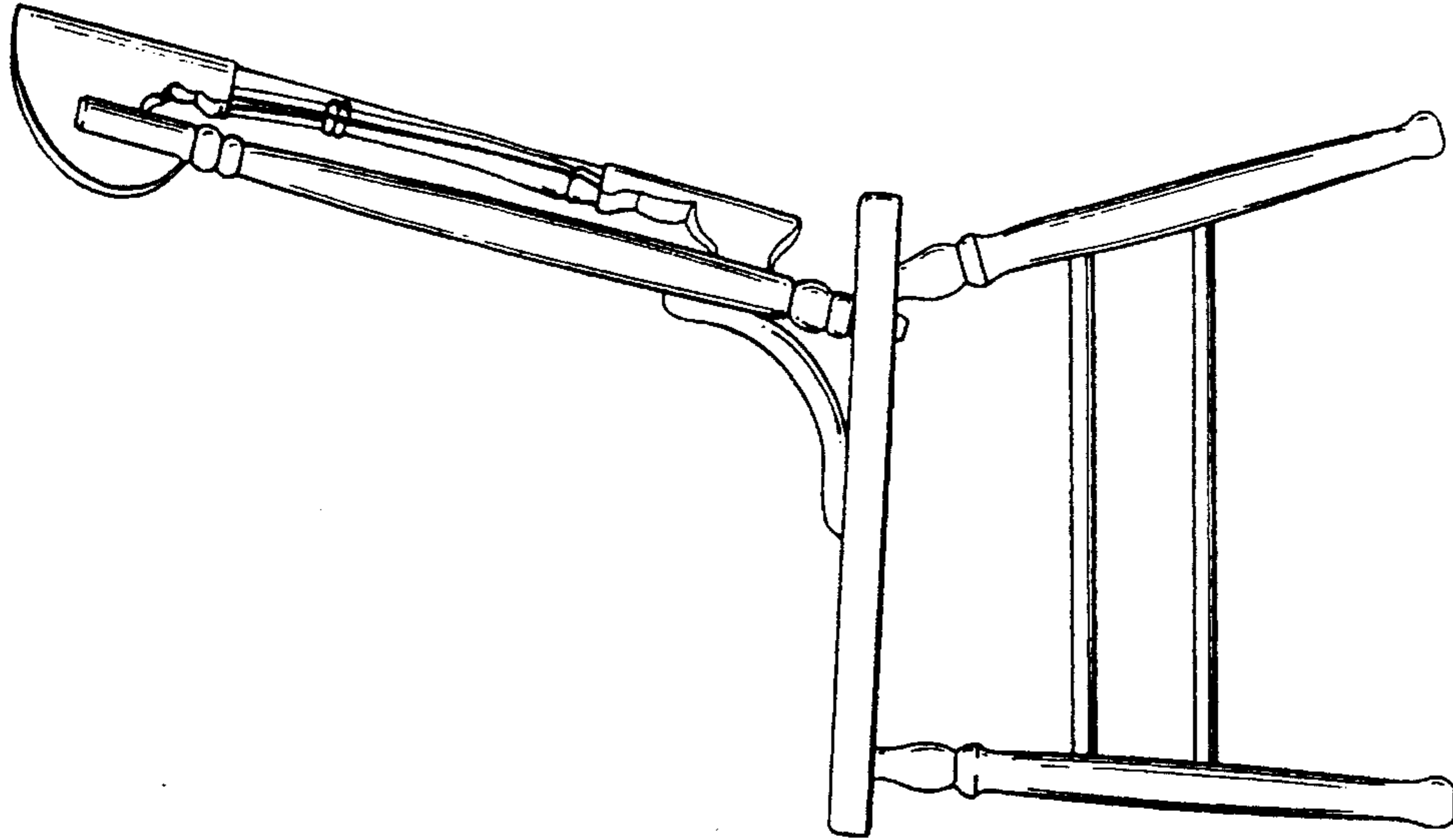


FIG. 5

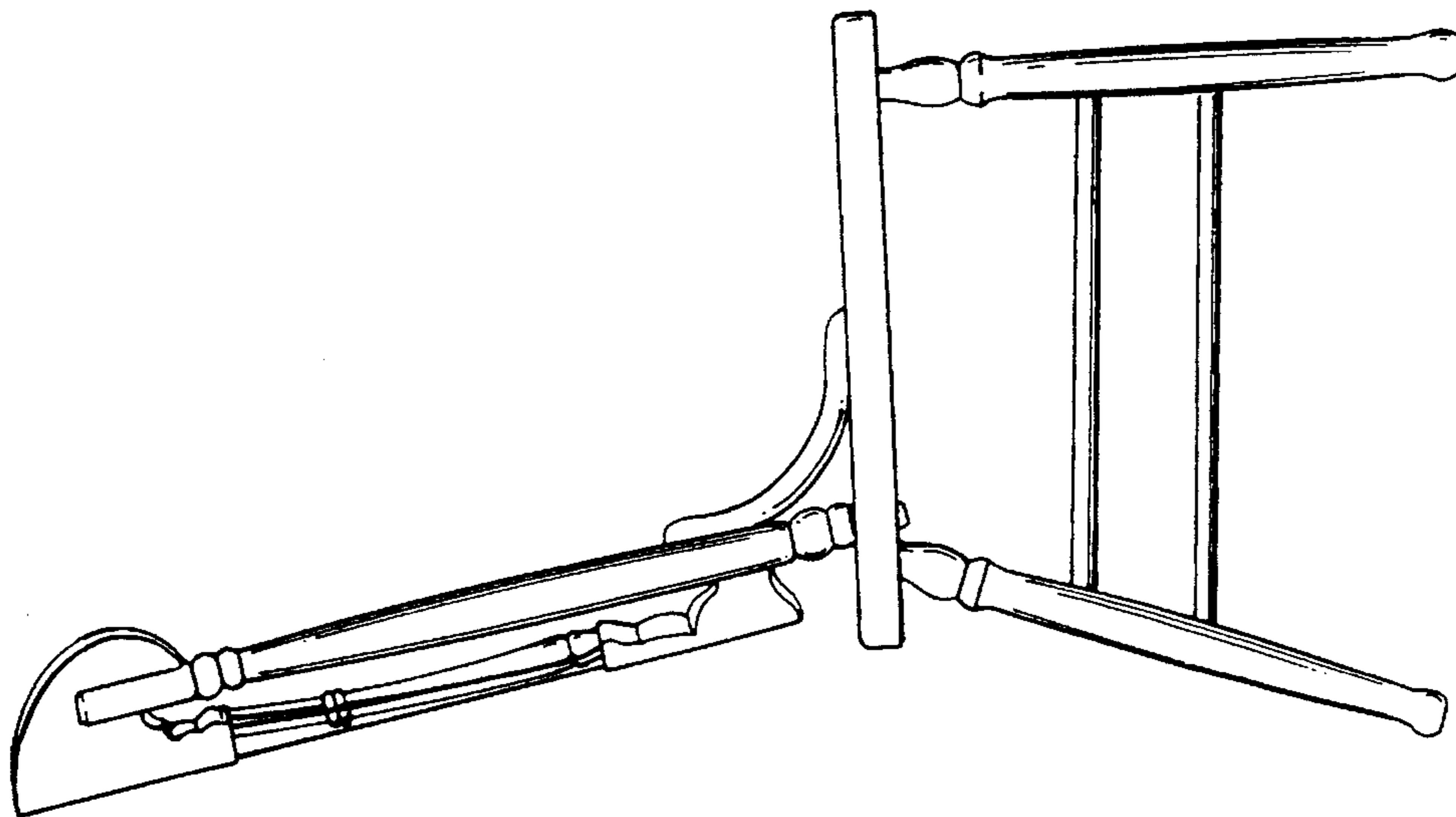


FIG. 4

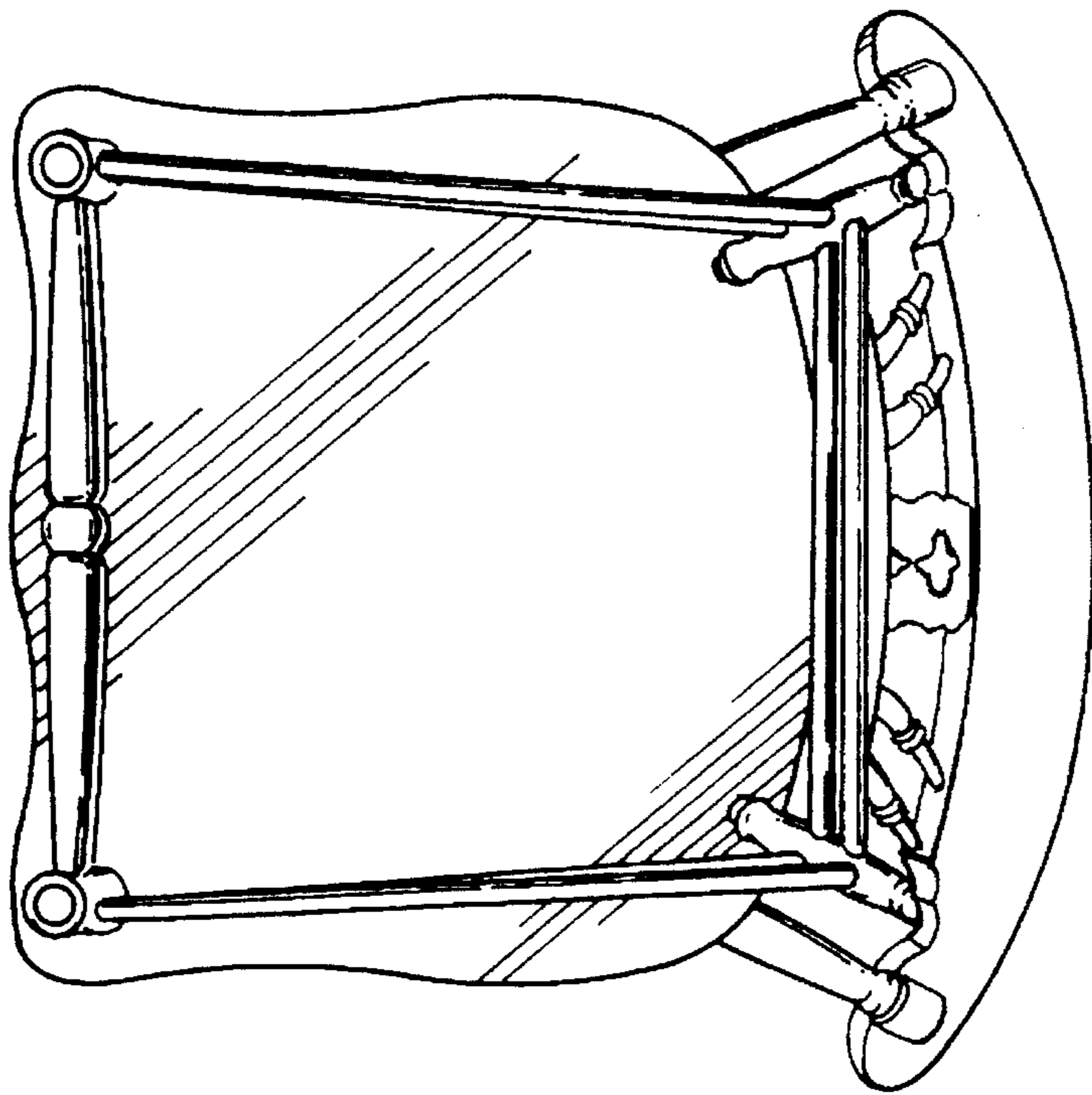


FIG. 7

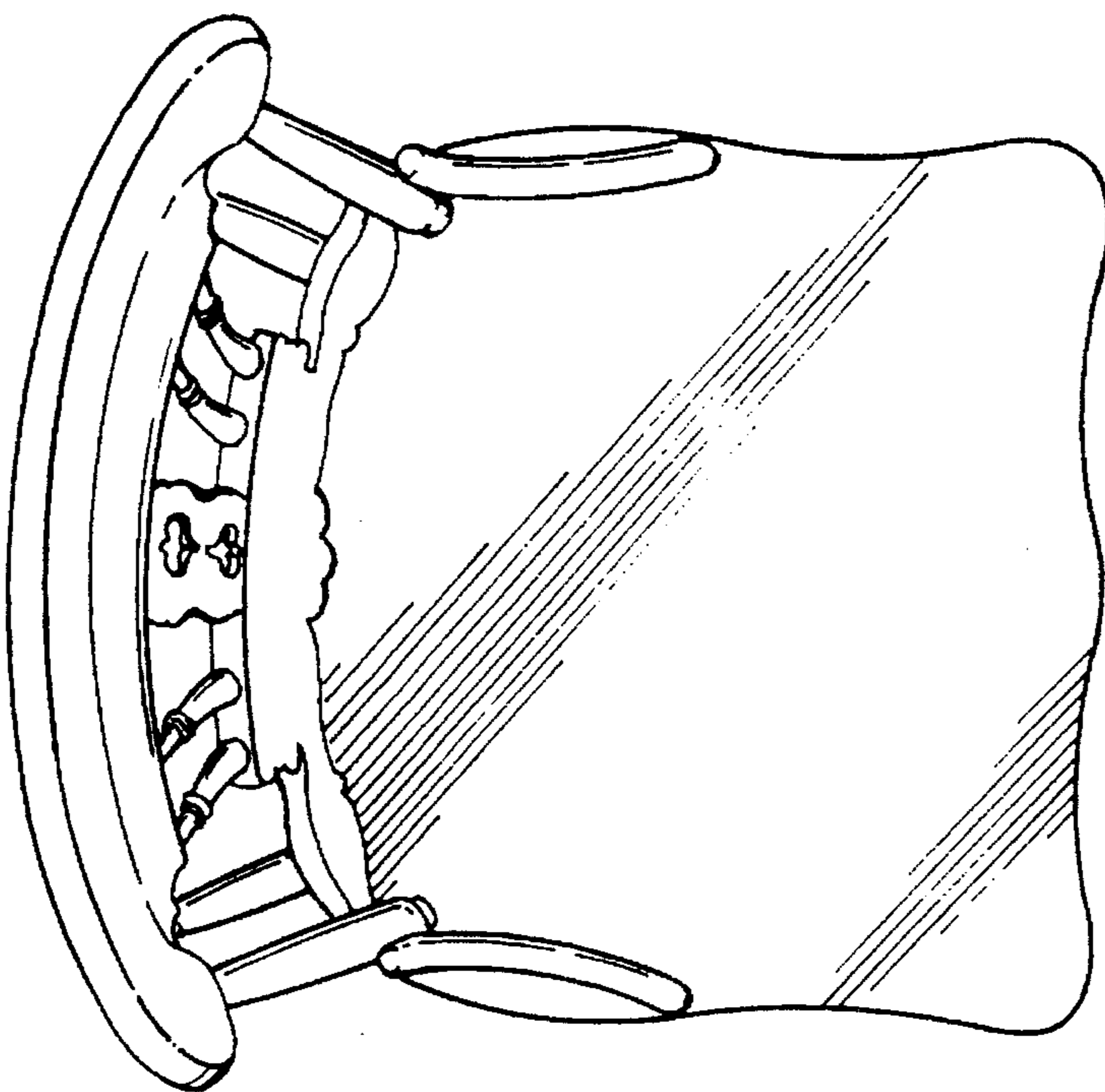


FIG. 6

UNITED STATES PATENT AND TRADEMARK OFFICE
CERTIFICATE OF CORRECTION

PATENT NO. : D372,807
DATED : AUGUST 20, 1996
INVENTOR(S) : CHING-FU HUANG

It is certified that error appears in the above-identified patent and that said Letters Patent is hereby corrected as shown below:

IN THE TITLE:

ITEM [54]; DELETE THE WORDS "SIDE CHAIN" AND INSERT
--SIDE CHAIR--

Signed and Sealed this
Fifth Day of November, 1996

Attest:



BRUCE LEHMAN

Attesting Officer

Commissioner of Patents and Trademarks