



US00D372804S

**United States Patent** [19]  
**McNamara et al.**

[11] **Patent Number: Des. 372,804**  
[45] **Date of Patent: \*\*Aug. 20, 1996**

[54] **FOLDING SEAT**

4,676,548 6/1987 Bradbury ..... D6/335 X

[75] Inventors: **Jack McNamara**, Phoenix; **Mark W. Thomas**, Scottsdale, both of Ariz.

**OTHER PUBLICATIONS**

Camping & Fishing Catalog, 1955, p. 91, seat at top right.

[73] Assignee: **RedBarn Enterprises, Inc.**, Phoenix, Ariz.

*Primary Examiner*—James M. Gandy  
*Assistant Examiner*—Gary D. Watson  
*Attorney, Agent, or Firm*—Frank J. McGue

[\*\*] Term: **14 Years**

[57] **CLAIM**

[21] Appl. No.: **44,642**

The ornamental design for a folding seat, as shown and described.

[22] Filed: **Sep. 28, 1995**

[52] U.S. Cl. .... **D6/368**

**DESCRIPTION**

[58] **Field of Search** ..... D6/333, 334, 335,  
D6/336, 368, 374, 379, 380, 500, 501,  
502; 297/45, 53, 411.44, 452.19, 452.20

FIG. 1 is a perspective view of a folding seat showing our new design;

FIG. 2 is a top view of the folding seat;

FIG. 3 is a side view of the folding seat;

FIG. 4 is a rear view of the folding seat; and,

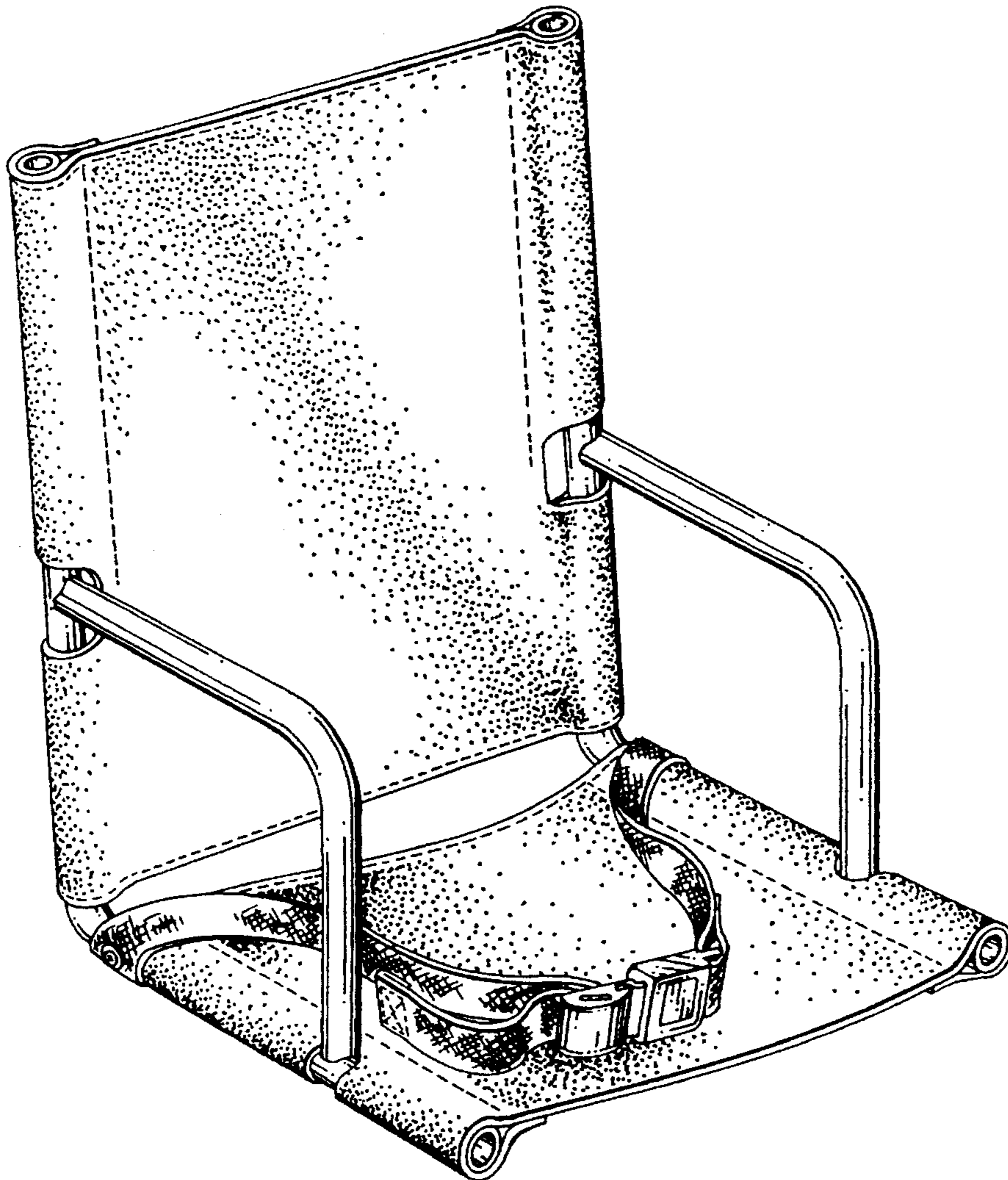
FIG. 5 is a bottom view of the folding seat.

[56] **References Cited**

**U.S. PATENT DOCUMENTS**

D. 360,308 7/1995 Smith et al. .... D6/333  
2,613,724 10/1952 Arnold ..... D6/333 X  
3,151,909 10/1964 Gerdetz ..... D6/368 X

**1 Claim, 1 Drawing Sheet**



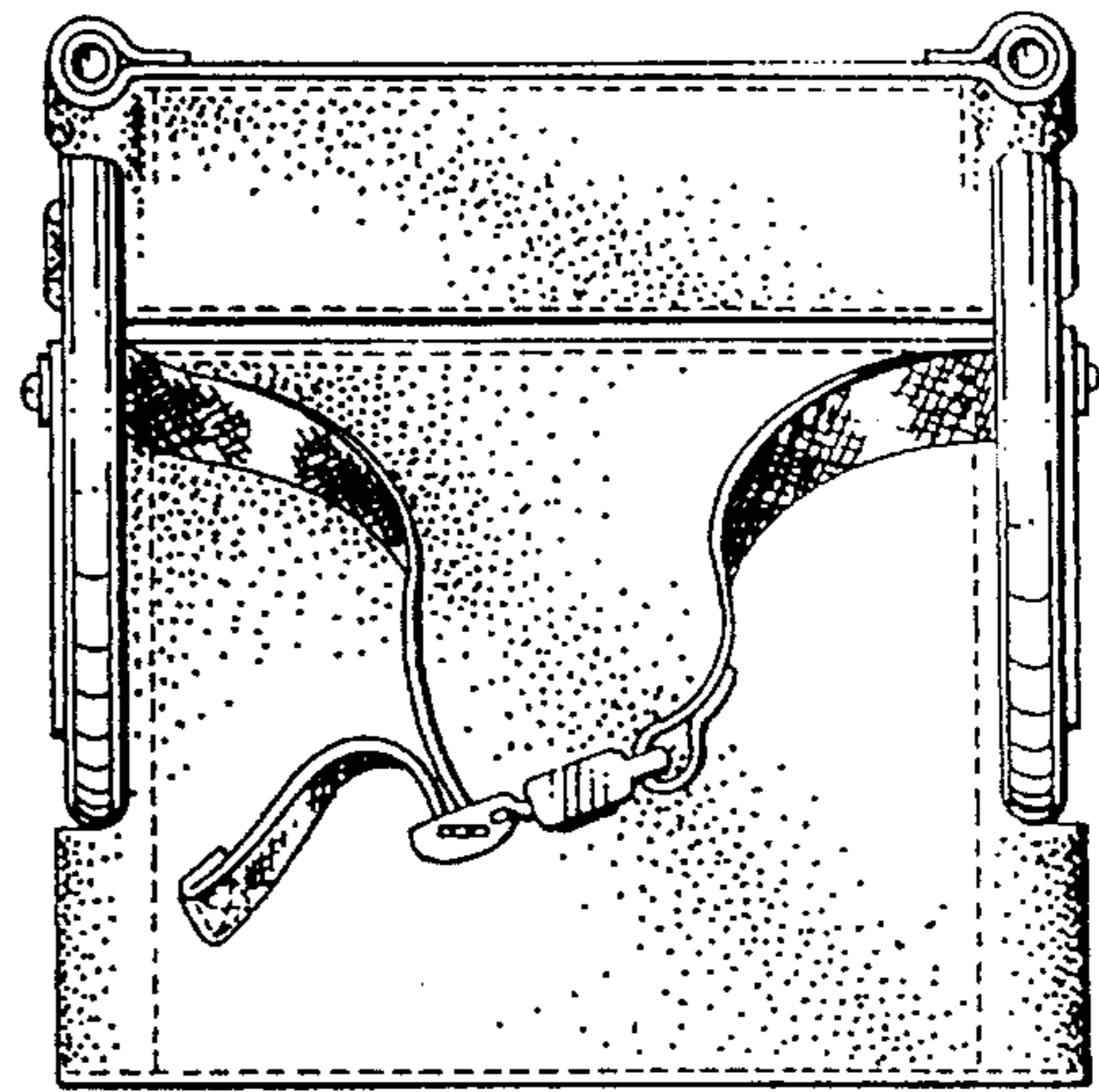
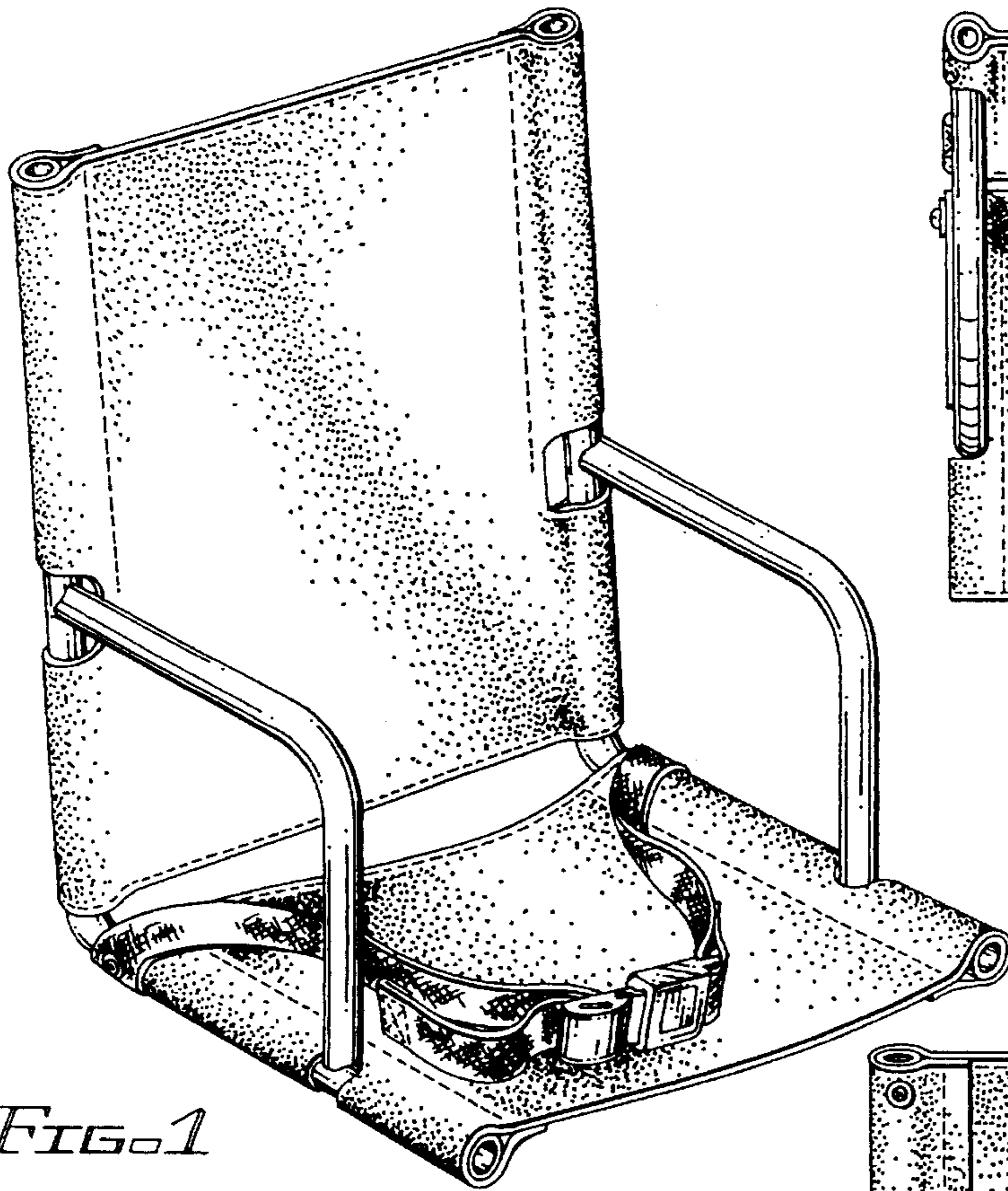


FIG. 3

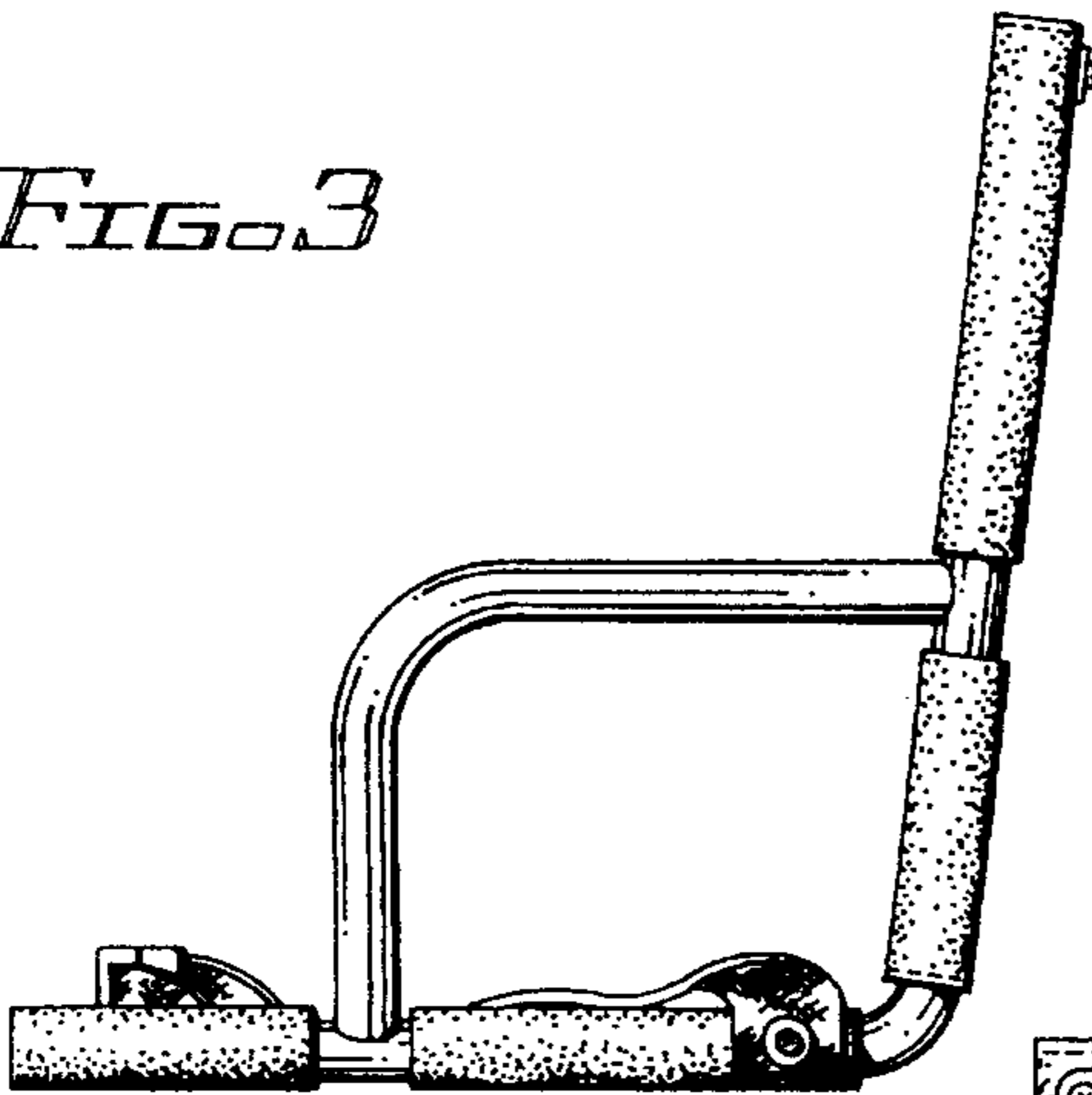


FIG. 4

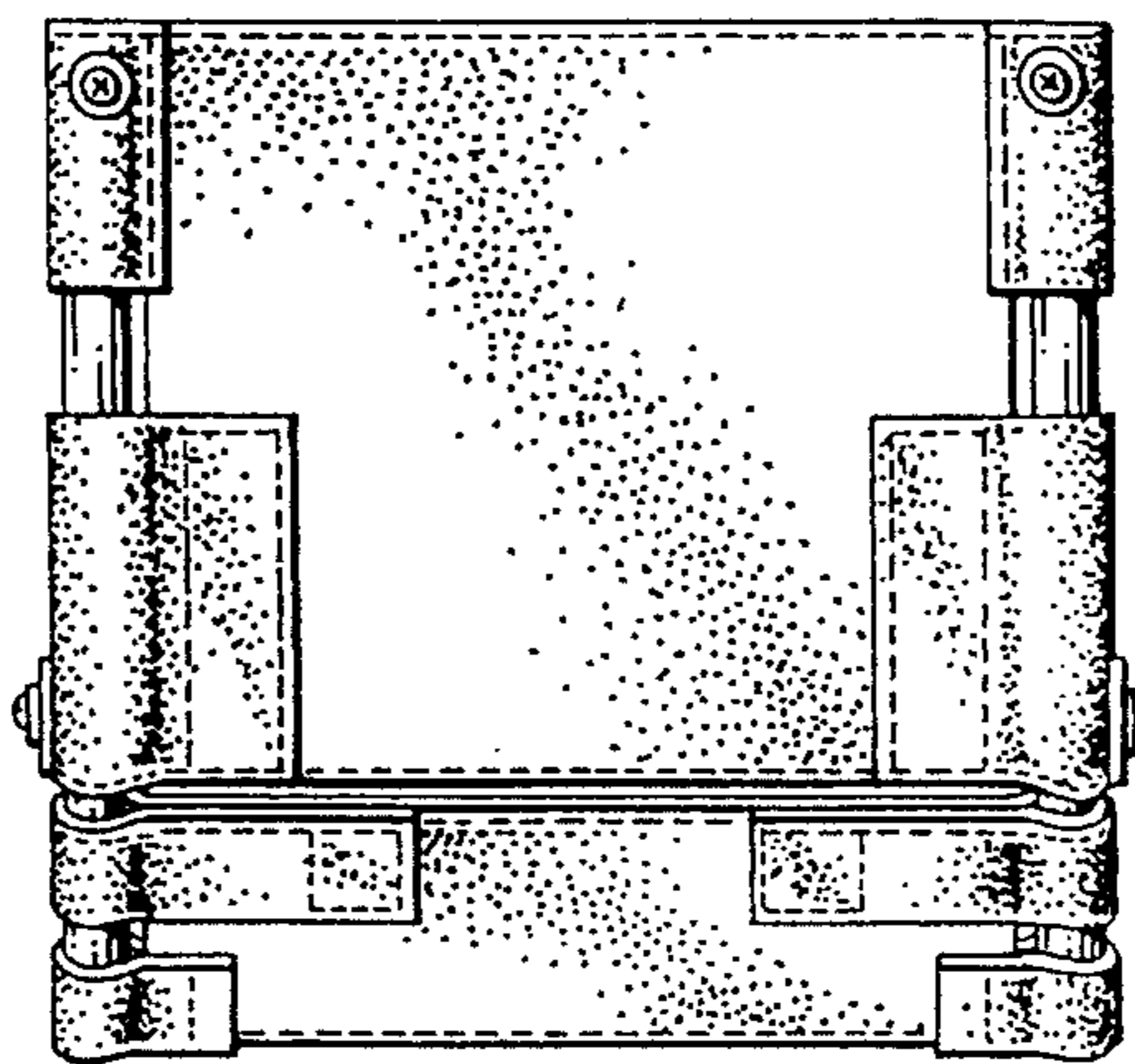
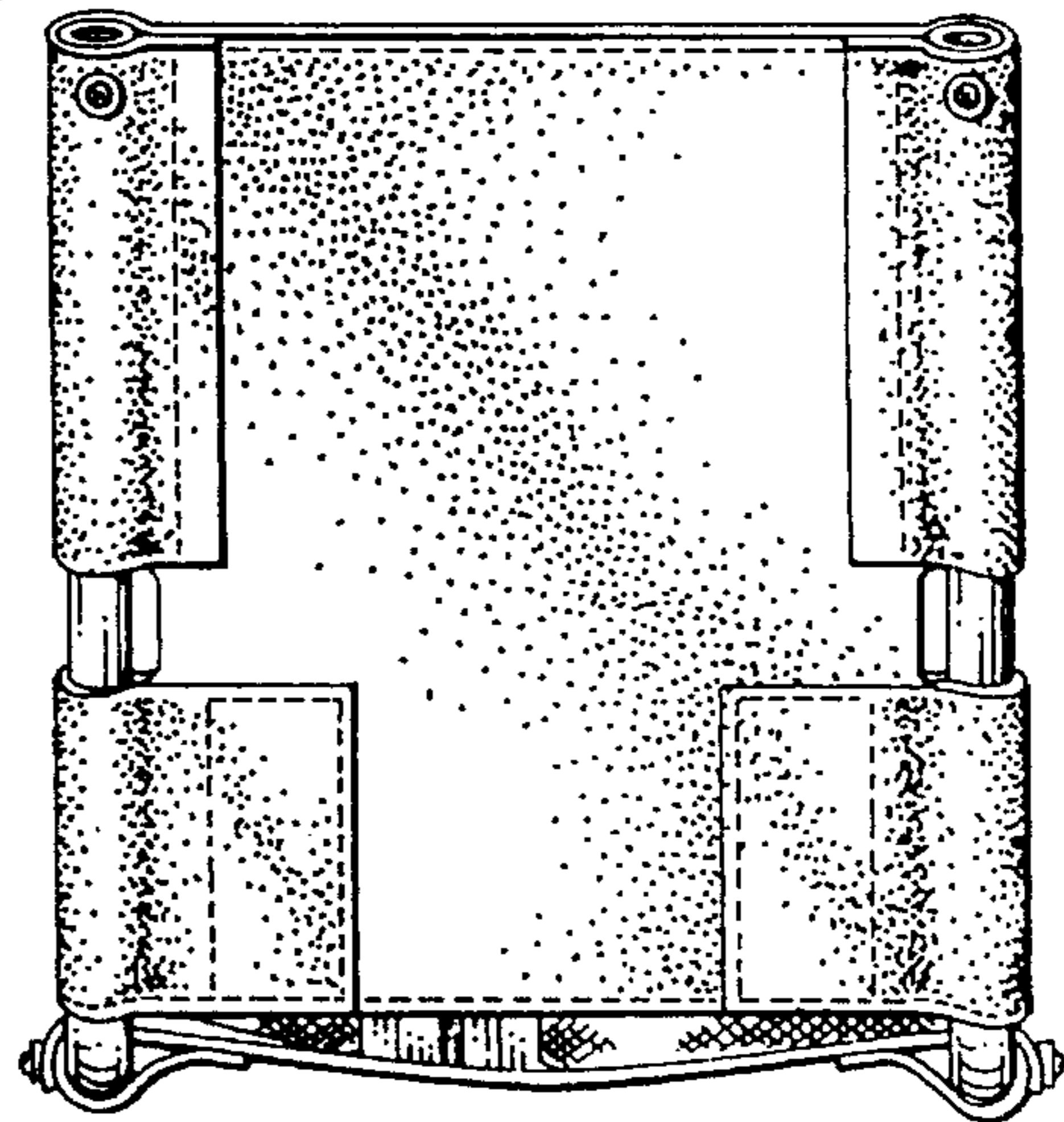


FIG. 5