



US00D372792S

# United States Patent [19]

Haas

[11] Patent Number: **Des. 372,792**

[45] Date of Patent: **\*\*Aug. 20, 1996**

[54] ICECREAM CONE

[76] Inventor: **Nada Haas**, Wildpretmarkt 1/12,  
A-1010 Vienna, Austria

[\*\*] Term: **14 Years**

[21] Appl. No.: **14,433**

[22] Filed: **Oct. 21, 1993**

[30] **Foreign Application Priority Data**

Apr. 22, 1993	[AT]	Austria	.....	MU1264/93
Aug. 30, 1993	[AT]	Austria	.....	MU2416/93
Aug. 30, 1993	[AT]	Austria	.....	MU2417/93
Aug. 30, 1993	[AT]	Austria	.....	MU2421/93

[52] U.S. Cl. .... **D1/118**

[58] Field of Search ..... D1/116, 117, 118,  
D1/122, 106; 426/95, 101, 139, 514, 143,  
132, 94

[56] **References Cited**

**U.S. PATENT DOCUMENTS**

D. 56,386 10/1920 Shapiro ..... D1/118

D. 113,736	3/1939	Franke	.....	D1/118
D. 340,343	10/1993	Rizikow	.....	D1/118
2,228,942	1/1941	Balton	.....	426/139
2,248,448	7/1941	Chester	.....	426/139 X
5,223,286	6/1993	Selbak	.....	426/94

*Primary Examiner*—A. Hugo Word  
*Assistant Examiner*—Pamela Burgess  
*Attorney, Agent, or Firm*—Herbert Dubno

[57] **CLAIM**

The ornamental design for an icecream cone, as shown and described.

**DESCRIPTION**

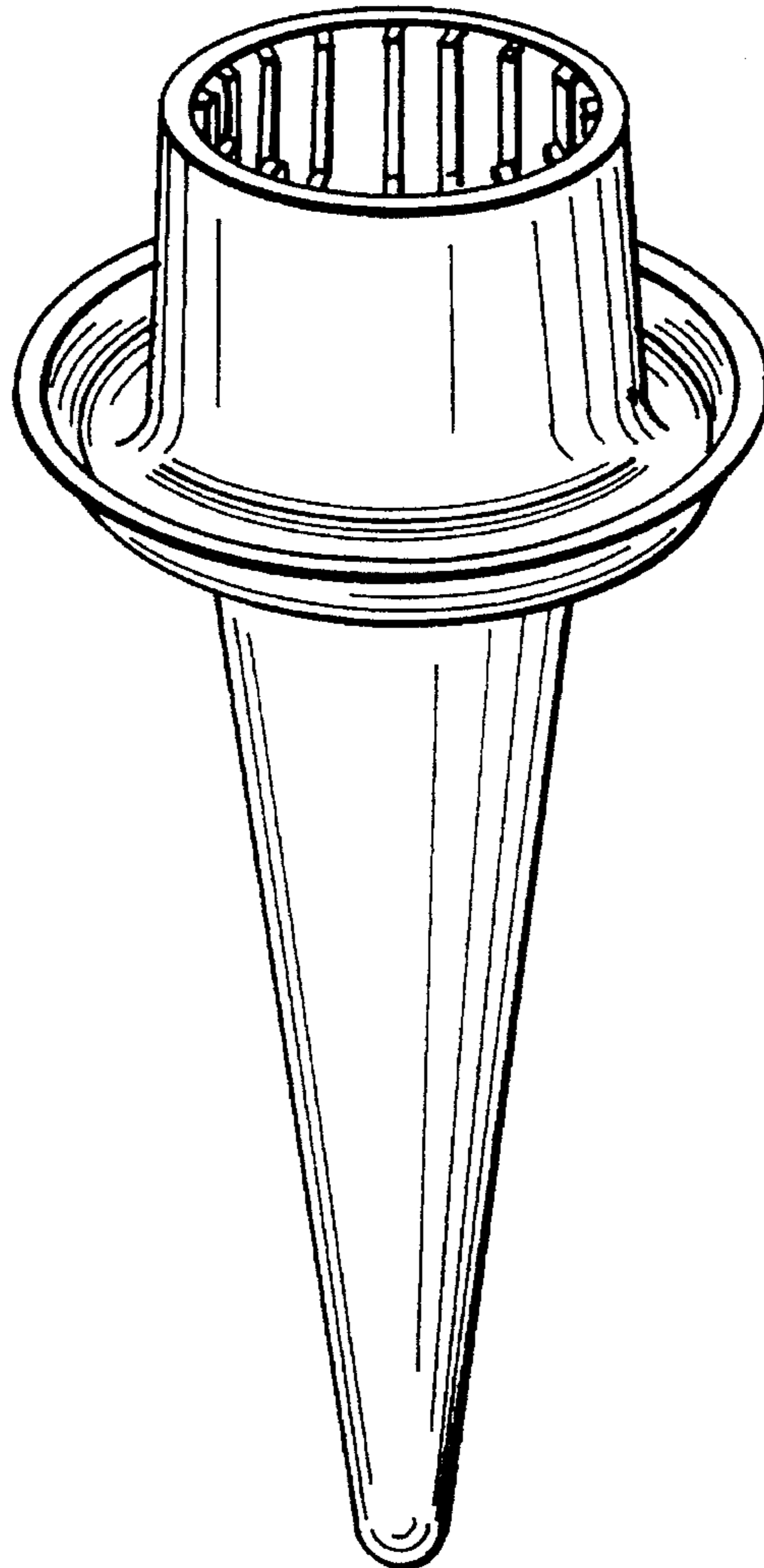
FIG. 1 is a front elevational view of an icecream cone showing my new design, the rear view and side views being identical thereto;

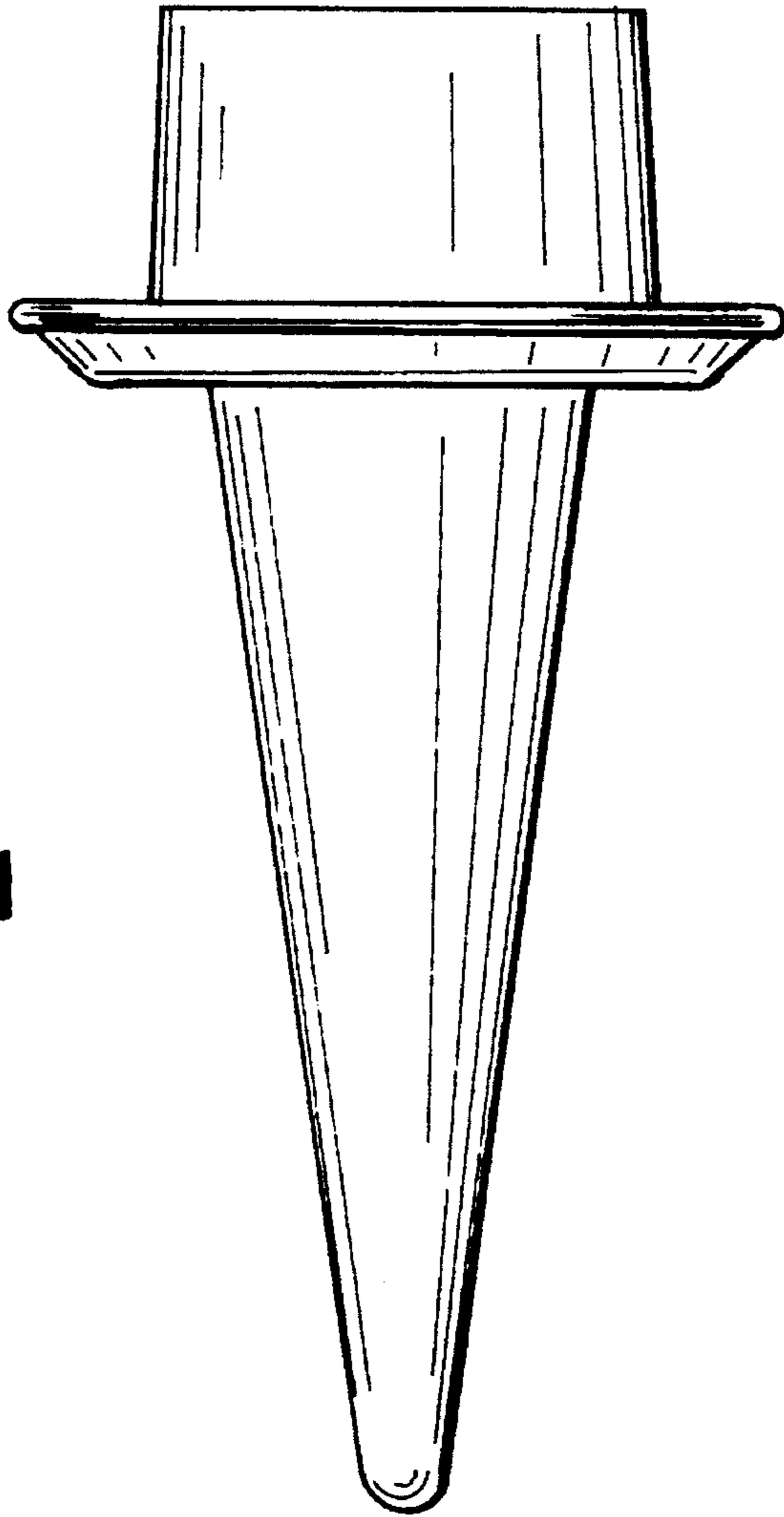
FIG. 2 is a top view thereof;

FIG. 3 is a top perspective view thereof; and,

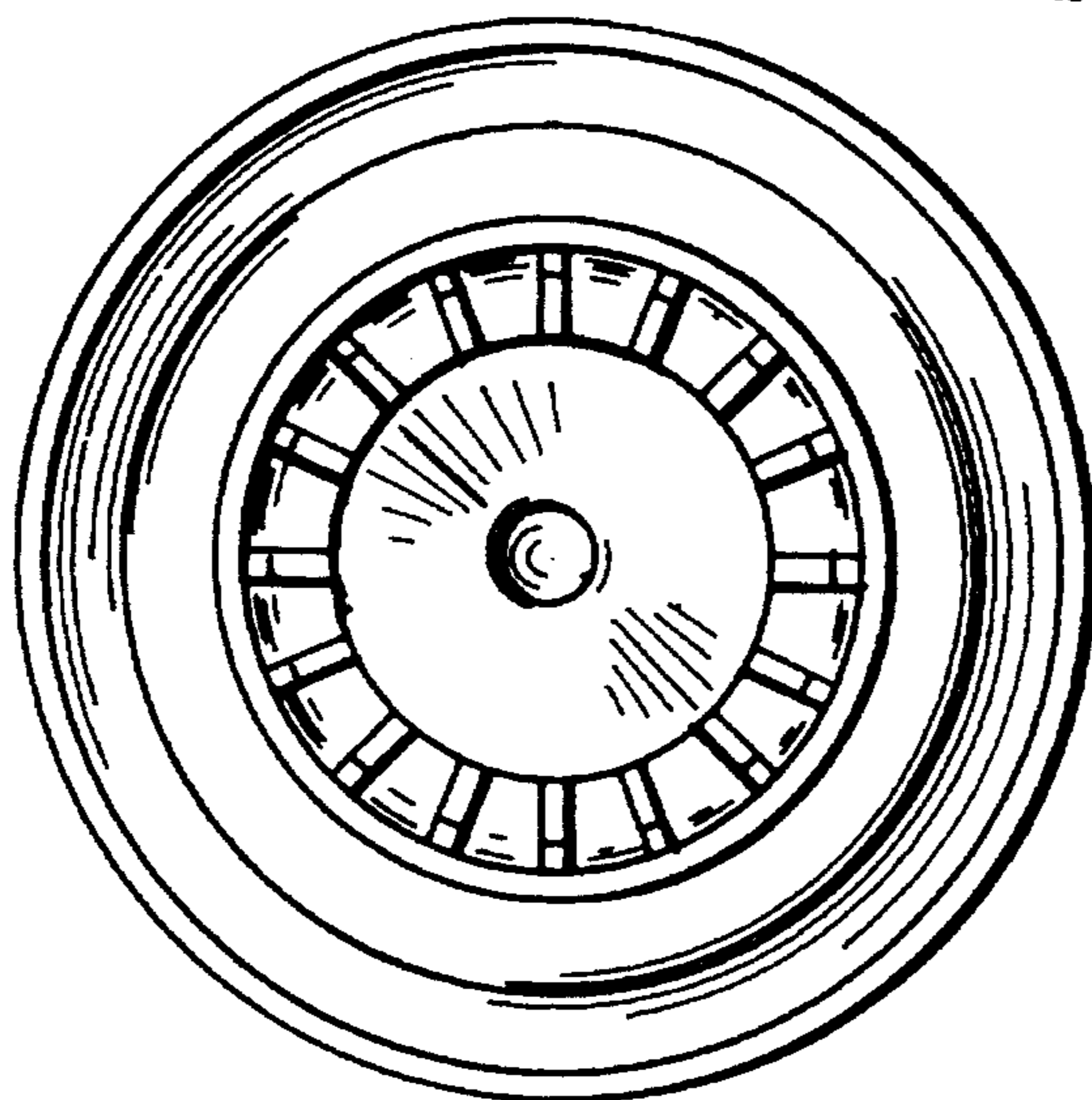
FIG. 4 is a bottom view thereof.

**1 Claim, 2 Drawing Sheets**

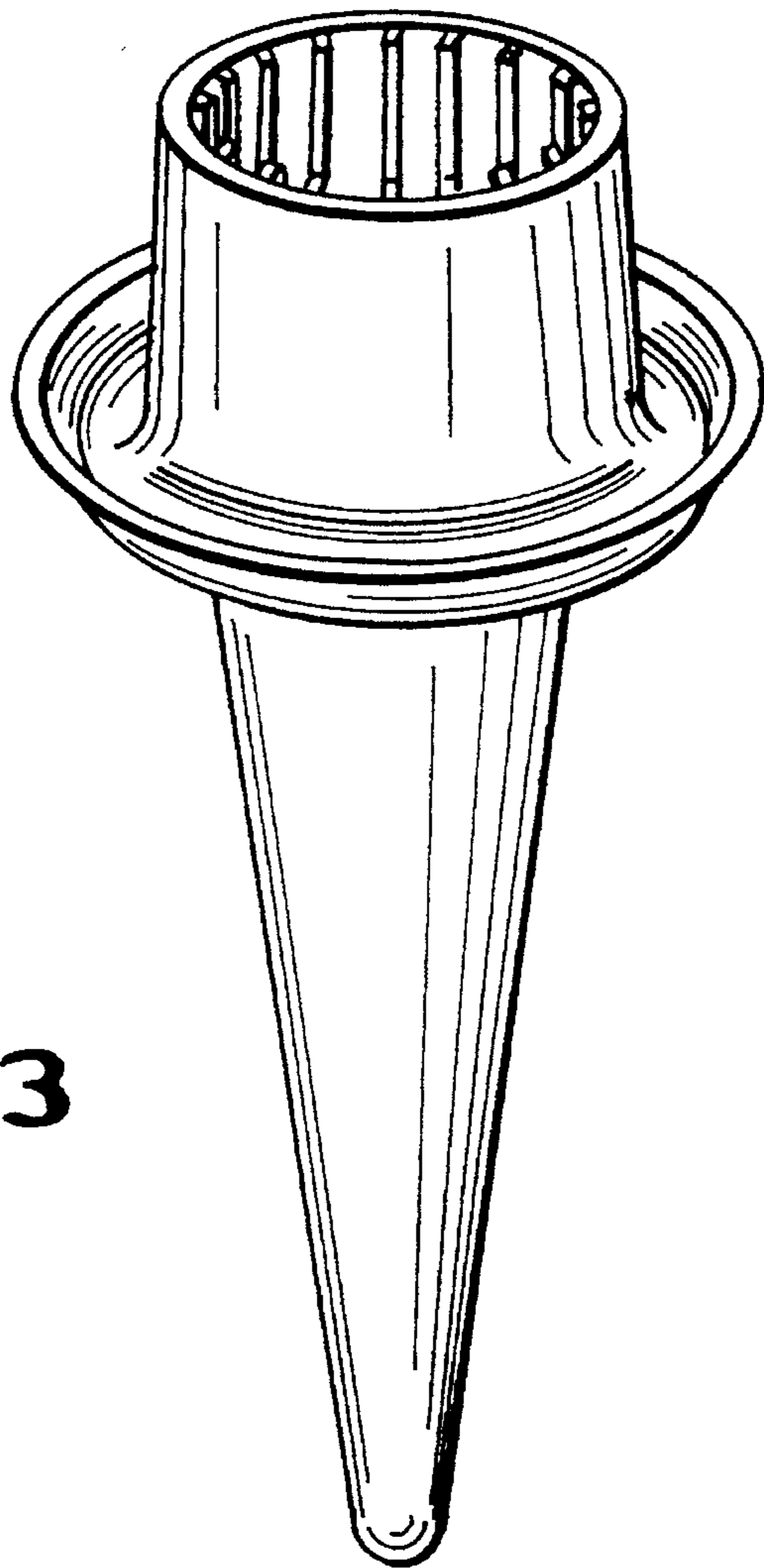




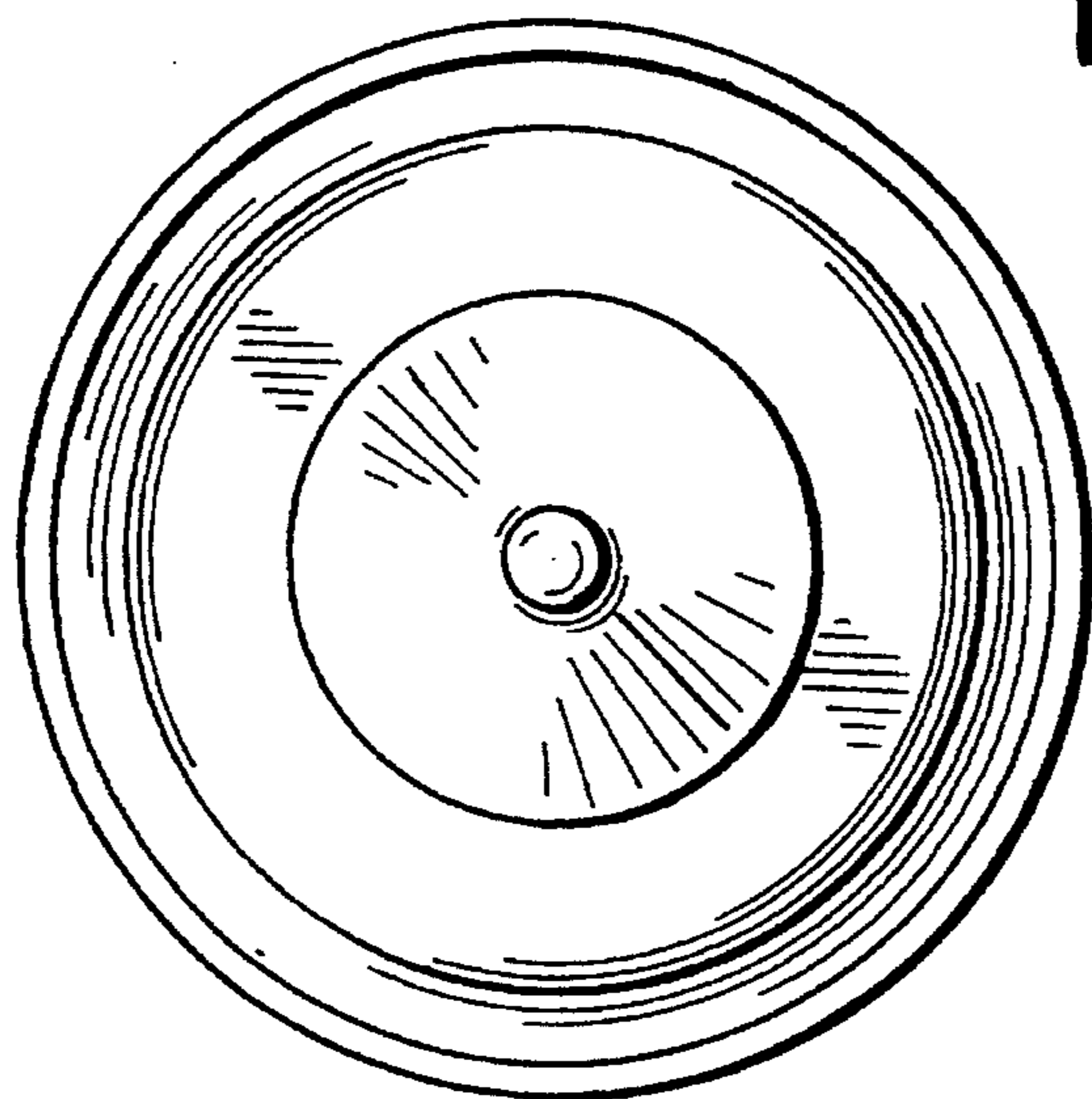
**FIG. 1**



**FIG. 2**



**FIG. 3**



**FIG. 4**