



US00D372790S

# United States Patent [19] Colitto

[11] Patent Number: **Des. 372,790**

[45] Date of Patent: **\*\*Aug. 13, 1996**

[54] **WINDOW HEADER**

[75] Inventor: **Domenic Colitto**, Bolton, Canada

[73] Assignee: **Royal Extrusions Limited**,  
Woodbridge, Canada

[\*\*] Term: **14 Years**

[21] Appl. No.: **39,449**

[22] Filed: **May 31, 1995**

[52] U.S. Cl. .... **D25/124**

[58] Field of Search ..... D25/52, 60, 121-125;  
49/DIG. 2, 504; 52/730.5, 731, 732, 738,  
202, 204.5

D. 316,453	4/1991	Westphal et al. ....	D25/122
D. 344,332	2/1994	Bancroft .....	D25/124
D. 345,221	3/1994	Bancroft .....	D25/60
4,259,813	4/1981	Winner et al. ....	49/504

*Primary Examiner*—Doris Clark

### [57] CLAIM

An ornamental design for a window header, as shown.

### DESCRIPTION

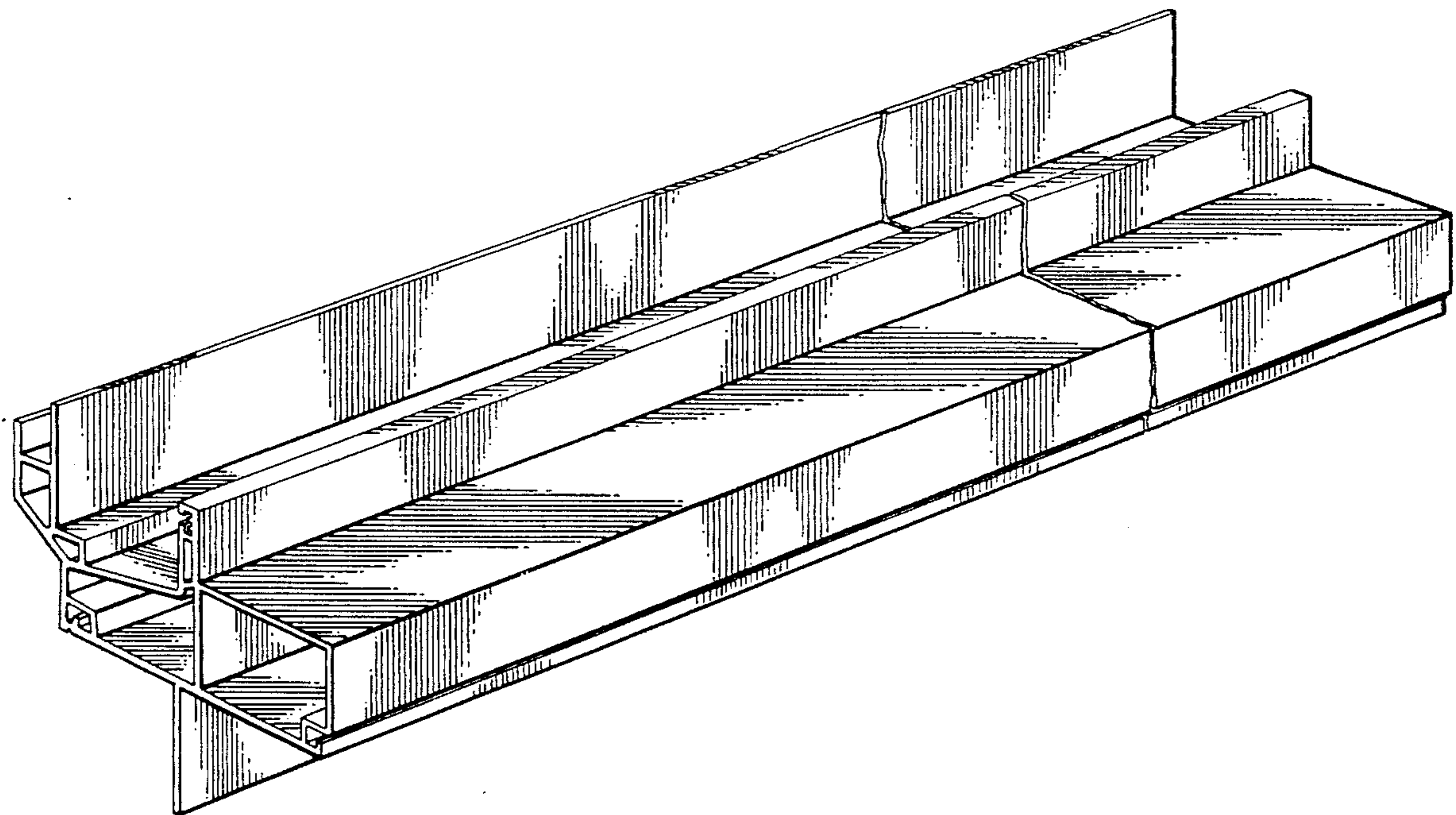
FIG. 1 is a perspective view of a window header; and,  
FIG. 2 is an end view of the window header.

### [56] References Cited

#### U.S. PATENT DOCUMENTS

D. 286,191 10/1986 Bancroft ..... D25/125

**1 Claim, 1 Drawing Sheet**



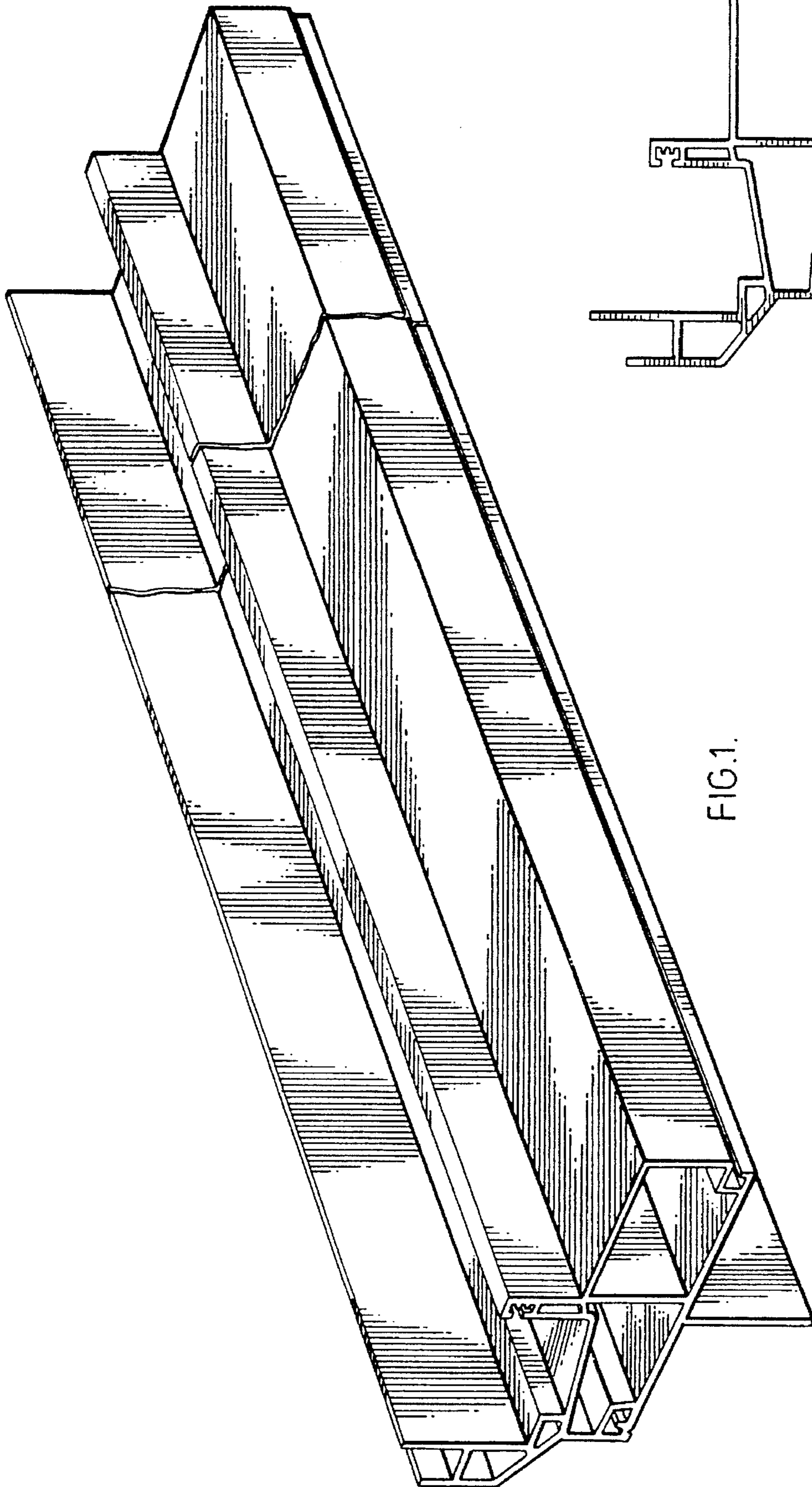


FIG. 1.

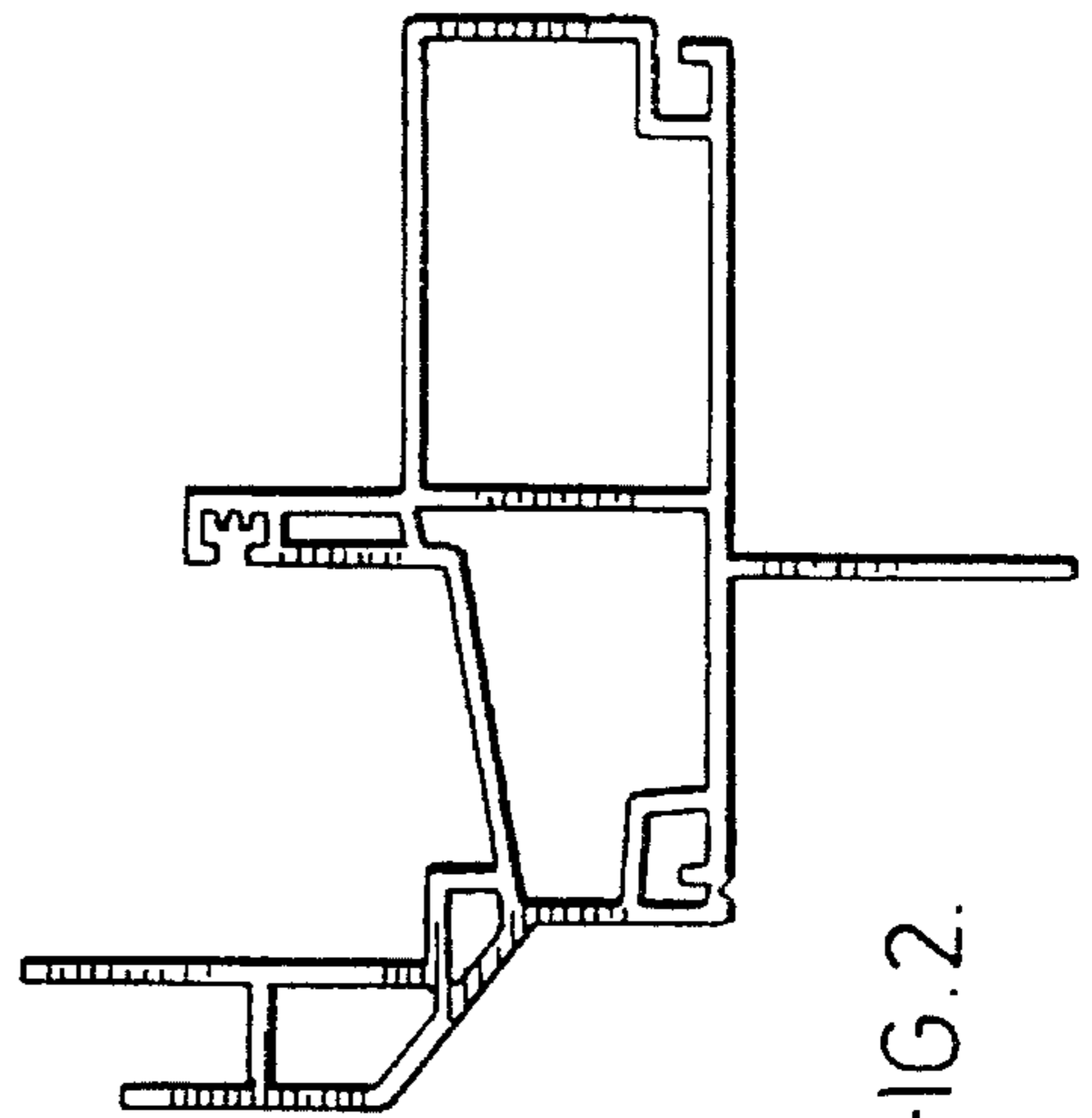


FIG. 2.