



US00D372786S

United States Patent [19] Palmer

[11] Patent Number: **Des. 372,786**

[45] Date of Patent: ****Aug. 13, 1996**

[54] **PLURAL BOBBIN DISPENSER**
[75] Inventor: **Robert H. Palmer**, Oregon City, Oreg.
[73] Assignee: **Modcom, Inc.**, Canby, Oreg.
[**] Term: **14 Years**

5,016,766 5/1991 Klein et al. .
5,203,694 4/1993 Klein .
5,221,033 6/1993 Klein et al. .
5,280,741 1/1994 Bell et al. .
5,326,260 7/1994 Klein et al. .

Primary Examiner—Kay H. Chin
Attorney, Agent, or Firm—Kolisich, Hartwell, Dickinson,
McCormack & Heuser

[21] Appl. No.: **45,073**
[22] Filed: **Oct. 6, 1995**
[52] **U.S. Cl.** **D24/176; D24/180**
[58] **Field of Search** **D24/176-182;**
433/3, 4, 11, 13, 18, 19; 221/71, 72, 73,
310; 132/325; D28/64

[57] CLAIM

The ornamental design for plural bobbin dispenser, as shown and described.

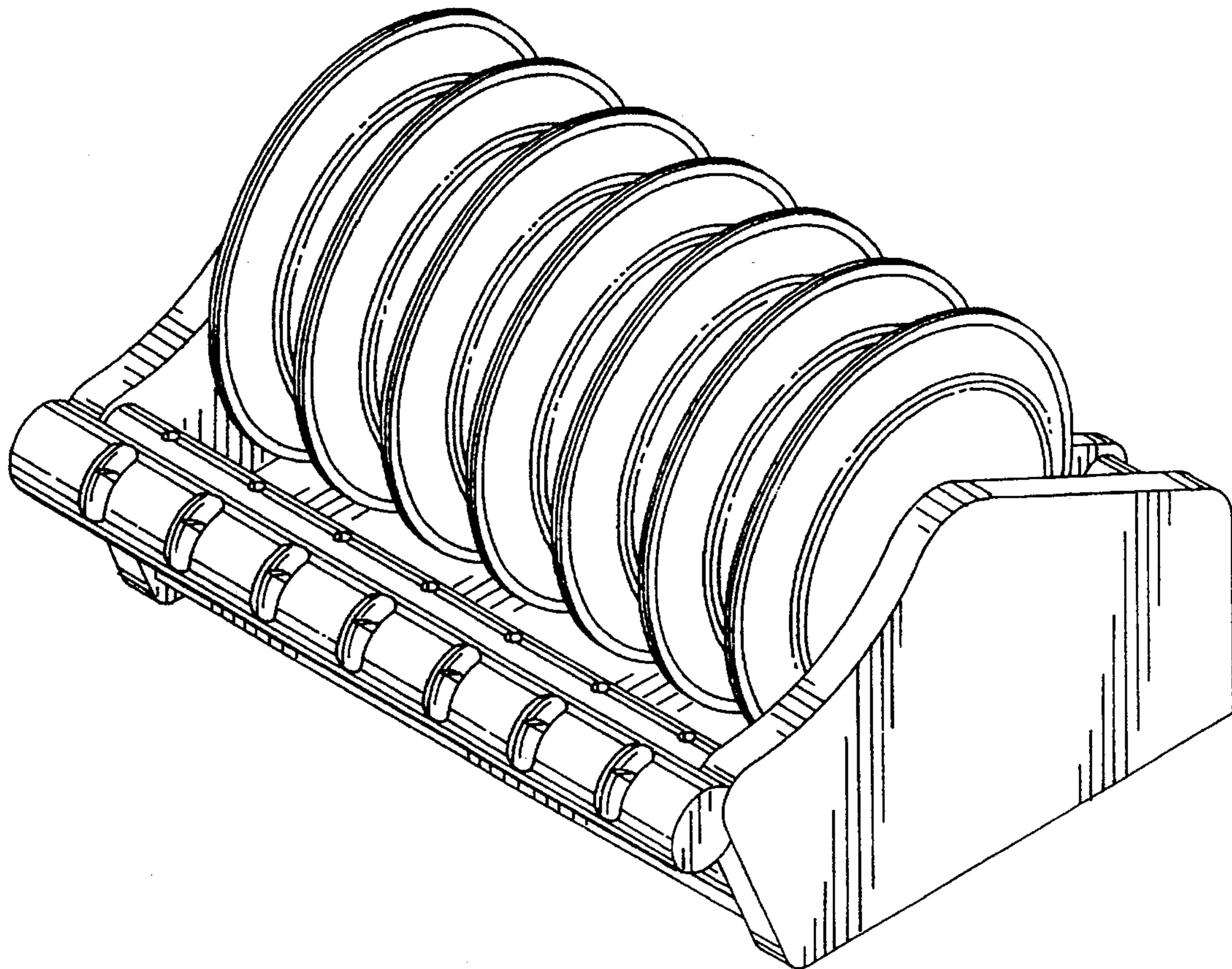
DESCRIPTION

FIG. 1 is an isometric view of a plural bobbin dispenser of my new design;
FIG. 2 is a right side elevation view thereof, the left side elevation view being a mirror image of the right side elevation view;
FIG. 3 is a front elevation view thereof;
FIG. 4 is a rear elevation view thereof;
FIG. 5 is a top plan view thereof;
FIG. 6 is a bottom elevation view thereof;
FIG. 7 is a side elvation of a plural bobbin dispenser of my new design, wherein the bobbin casing is transparent; and,
FIG. 8 is an isometric view of a plural bobbin dispenser of my new design, wherein no bobbins are mounted in the dispenser.

[56] References Cited U.S. PATENT DOCUMENTS

834,790	10/1906	Wolford .	
2,862,676	12/1958	Castelli .	
2,921,493	1/1960	Emmert .	
2,999,313	9/1961	Emmert .	
3,176,572	4/1965	Comet .	
3,530,583	9/1970	Klein et al. .	
3,788,175	1/1974	Davis .	
3,903,601	9/1975	Anderson et al. .	
4,038,753	8/1977	Klein .	
4,217,686	8/1980	Dragan .	
4,330,271	5/1982	Anderson .	
4,499,802	2/1985	Simpson .	
4,713,001	12/1987	Klein et al. .	
5,005,730	4/1991	Pickwell, Jr. et al.	433/3

1 Claim, 4 Drawing Sheets



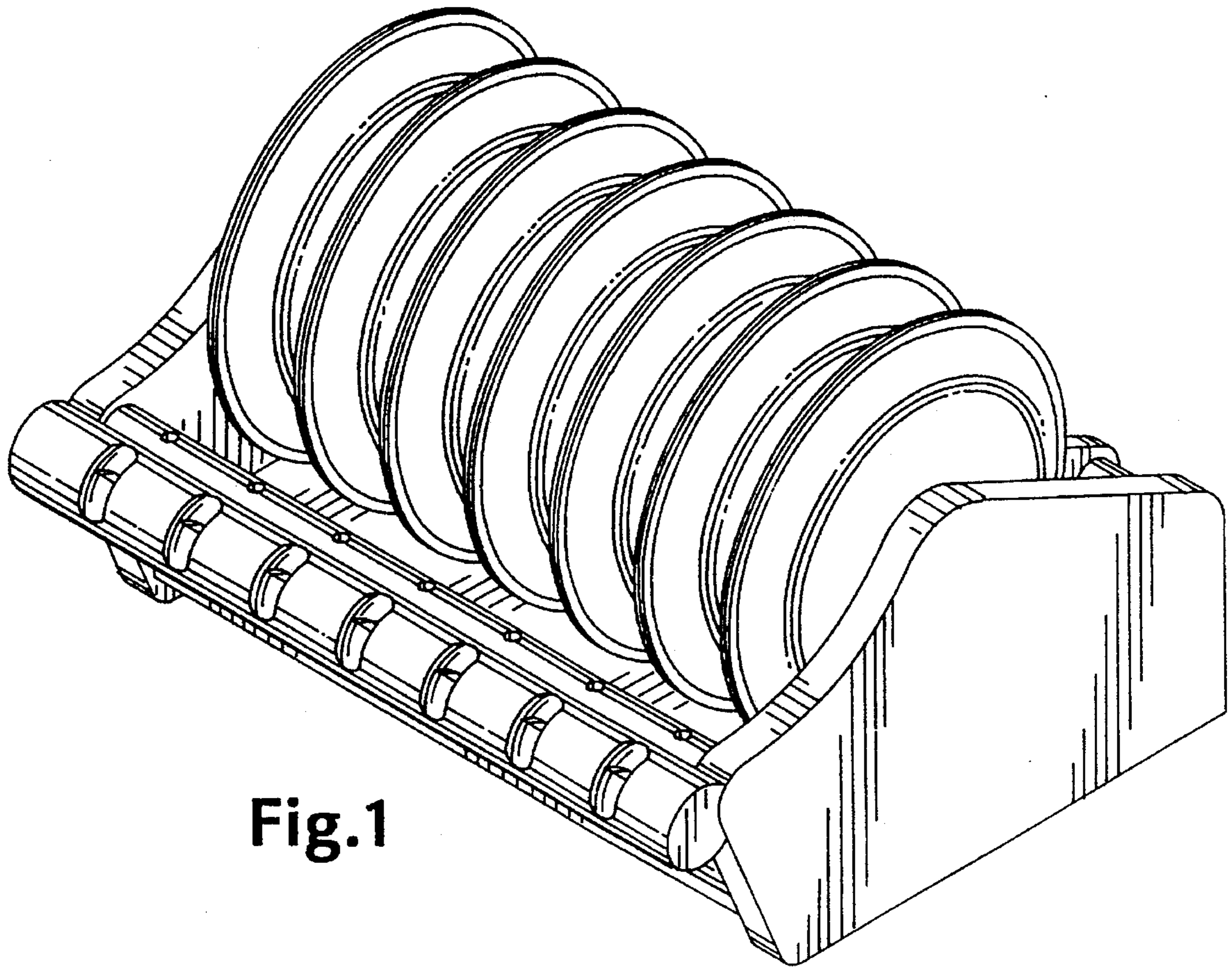


Fig.1

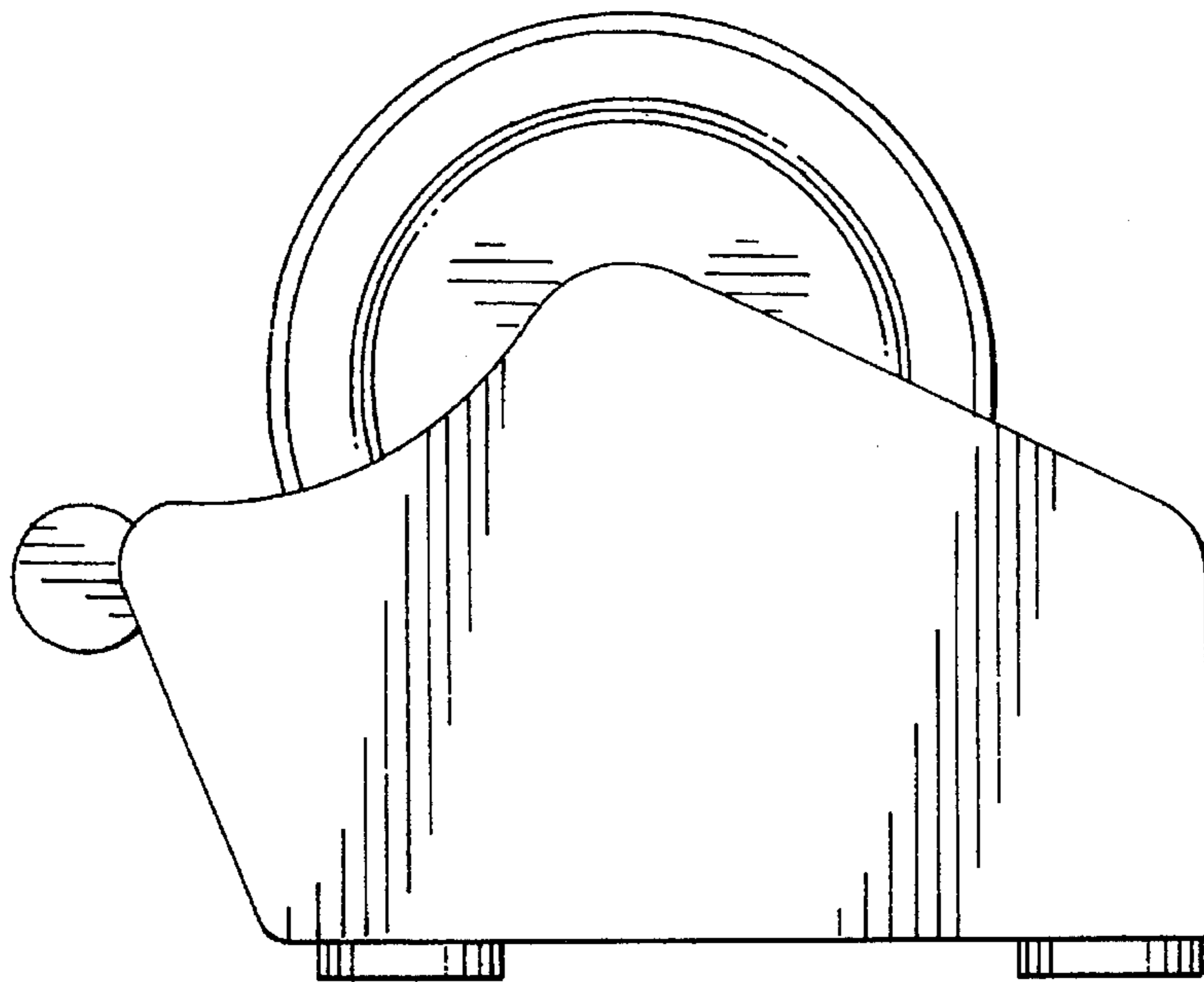


Fig.2

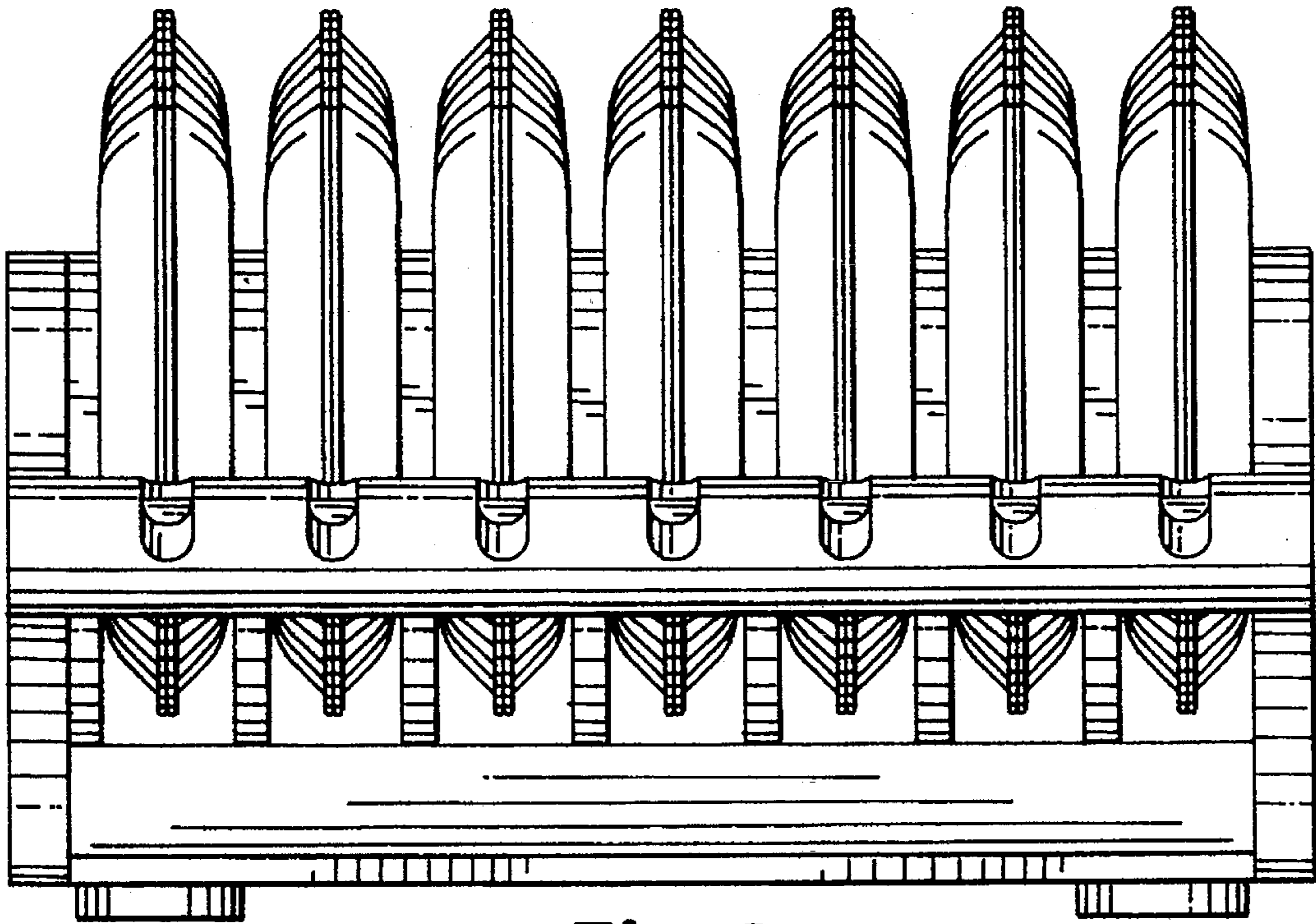


Fig.3

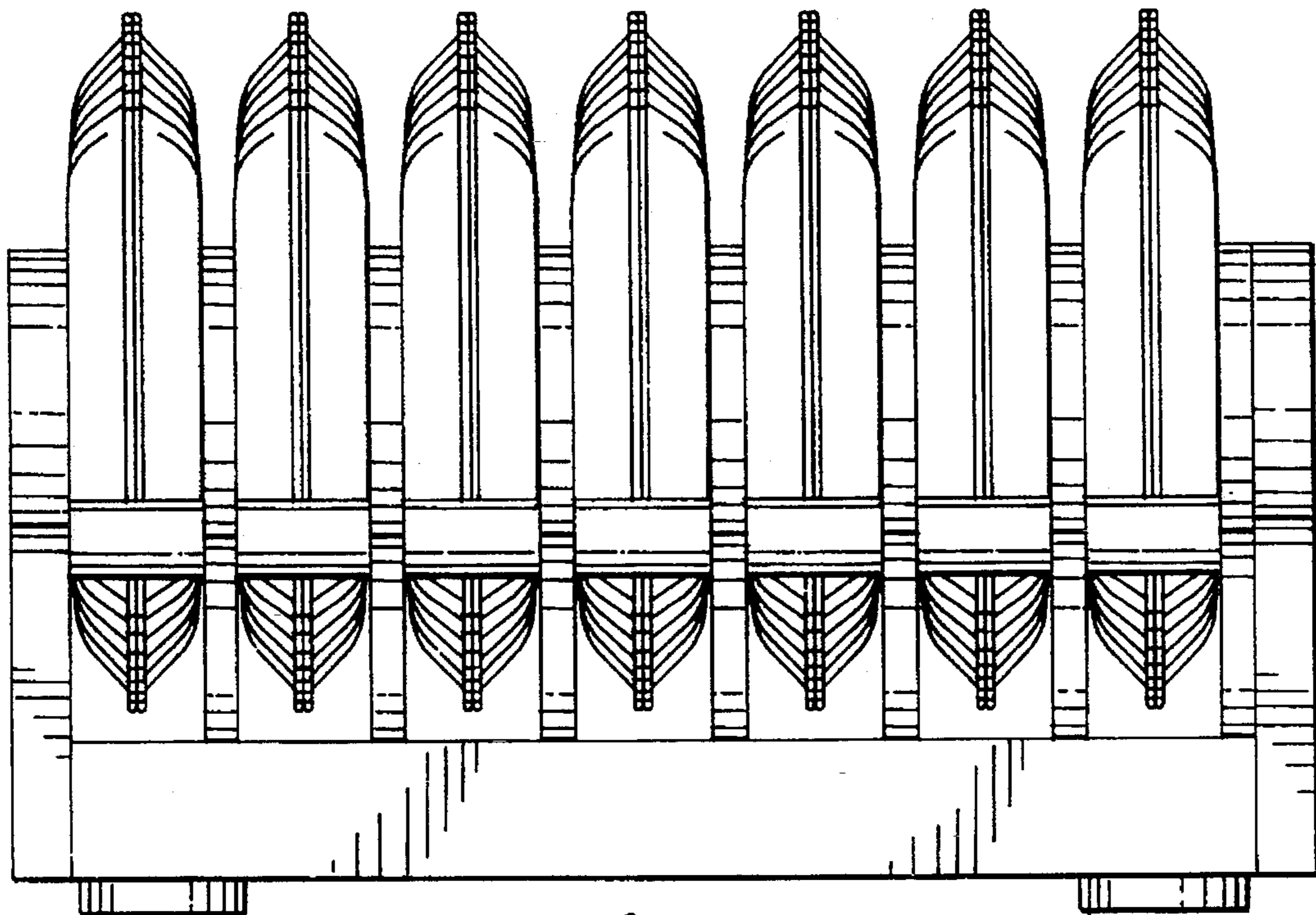


Fig.4

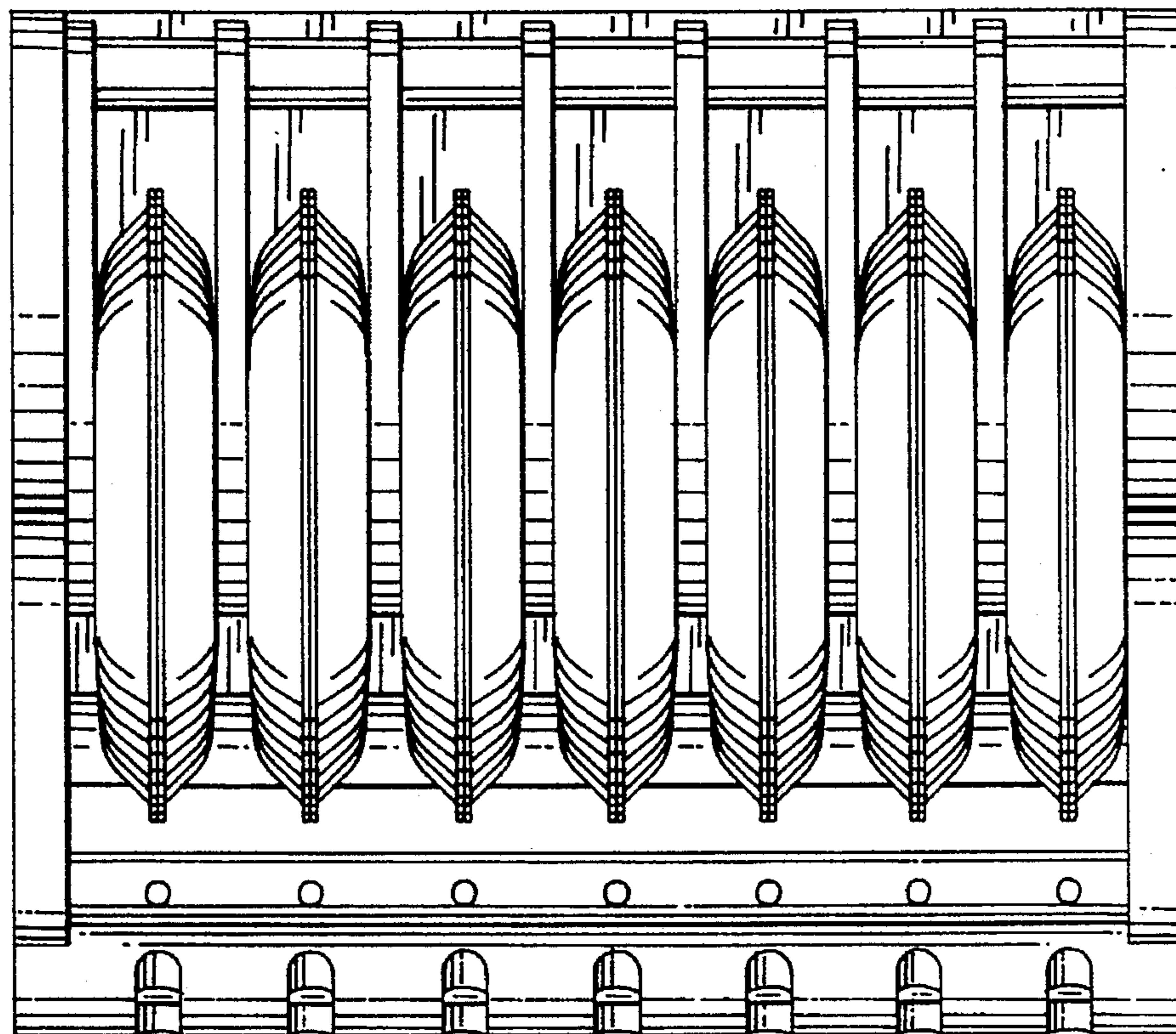


Fig. 5

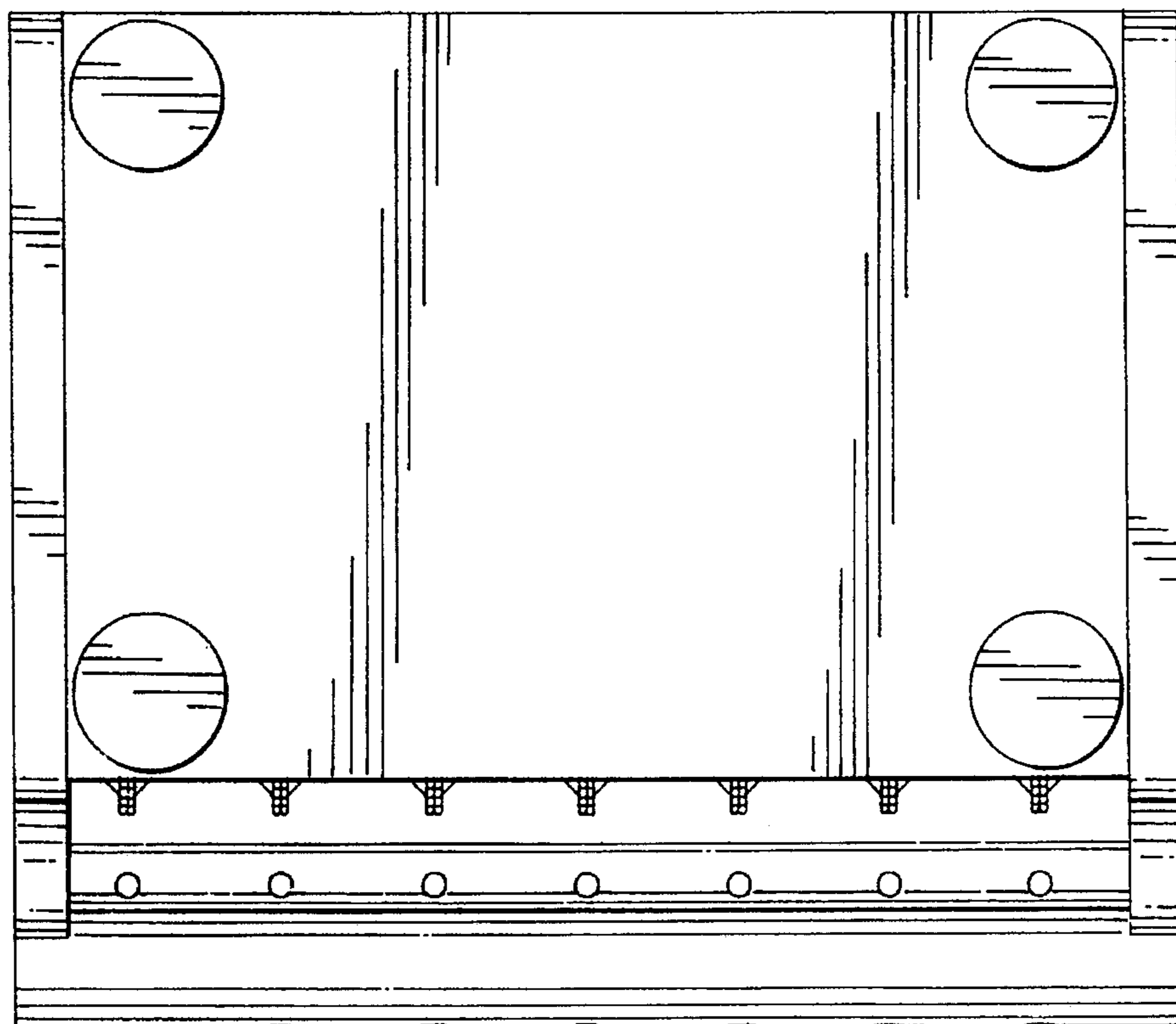


Fig. 6

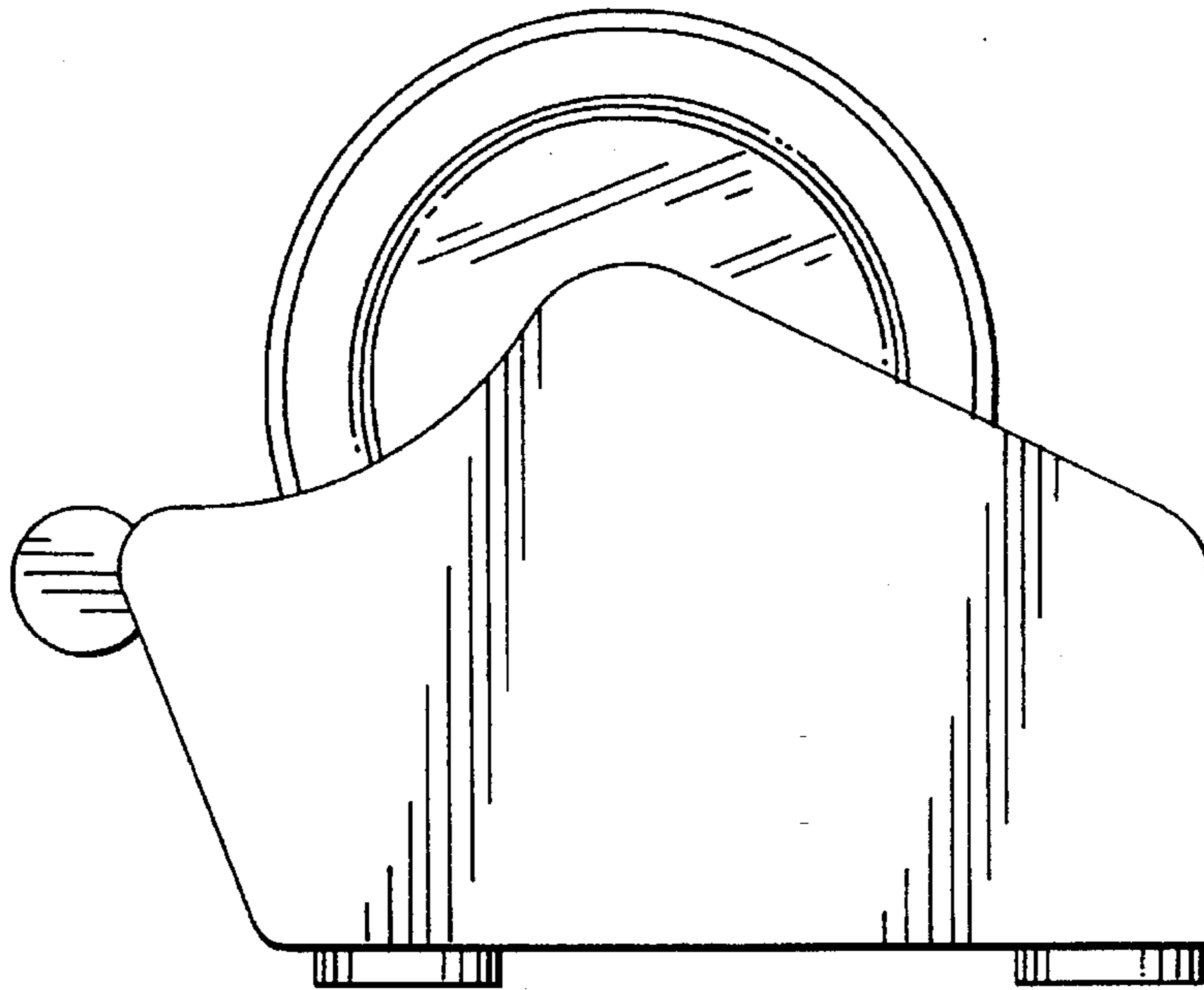


Fig.7

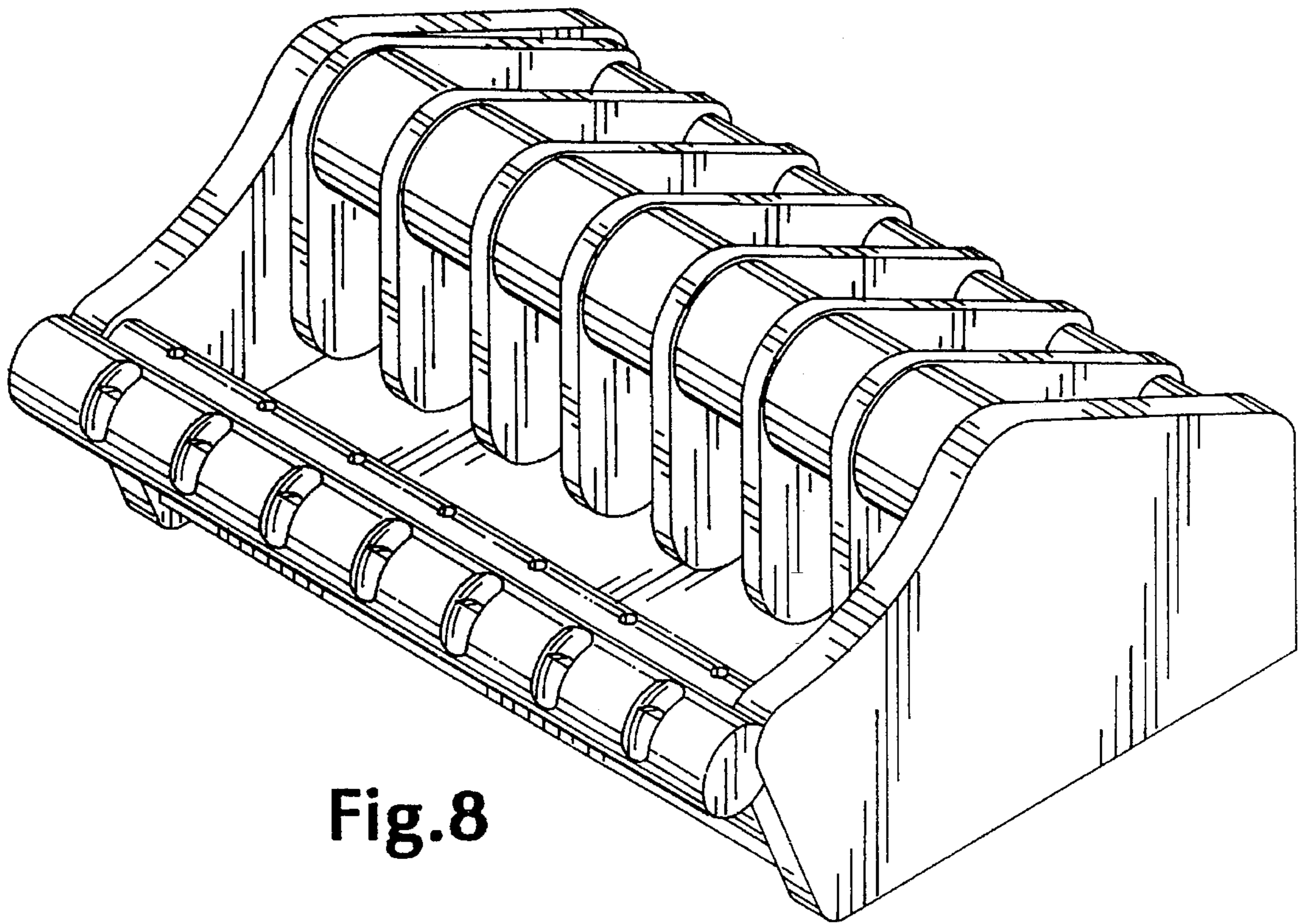


Fig.8