



US00D372784S

United States Patent [19]

[11] **Patent Number: Des. 372,784**

Sandberg et al.

[45] **Date of Patent: **Aug. 13, 1996**

[54] **PROSTHETIC BRIDGE PART**

Attorney, Agent, or Firm—Ostrolenk, Faber, Gerb & Soffen, LLP

[75] Inventors: **Ronny Sandberg**, Kungsbacka; **Momo Vasilic**, Partille, both of Sweden

[57] **CLAIM**

[73] Assignee: **Nobelpharma AB**, Sweden

The ornamental design for a prosthetic bridge part, as shown and described.

[**] Term: **14 Years**

DESCRIPTION

[21] Appl. No.: **21,473**

FIG. 1 is a top perspective view of a prosthetic bridge part showing a first embodiment of our new design;

[22] Filed: **Apr. 18, 1994**

FIG. 2 is a bottom perspective view thereof;

[30] **Foreign Application Priority Data**

FIG. 3 is a top plan view thereof;

Oct. 21, 1993	[SE]	Sweden	93-2346
Oct. 21, 1993	[SE]	Sweden	93-2347
Oct. 21, 1993	[SE]	Sweden	93-2348
Oct. 21, 1993	[SE]	Sweden	93-2349

FIG. 4 is a side view thereof, the opposite side view being a mirror image;

[52] **U.S. Cl.** **D24/155**

FIG. 5 is a bottom plan view thereof;

[58] **Field of Search** D24/155; 433/172, 433/173, 174

FIG. 6 is an end view thereof, the opposite end view being identical;

[56] **References Cited**

U.S. PATENT DOCUMENTS

4,744,756	5/1988	Ross	433/173
5,004,420	4/1991	Söderberg	433/172
5,417,570	5/1995	Zuest et al.	433/172 X

FIG. 7 is a top perspective view of a prosthetic bridge part showing a second embodiment of our new design;

FIG. 8 is a bottom perspective view thereof; and

FIG. 9 is a top plan view thereof;

FIG. 10 is a side view thereof, the opposite side view being a mirror image;

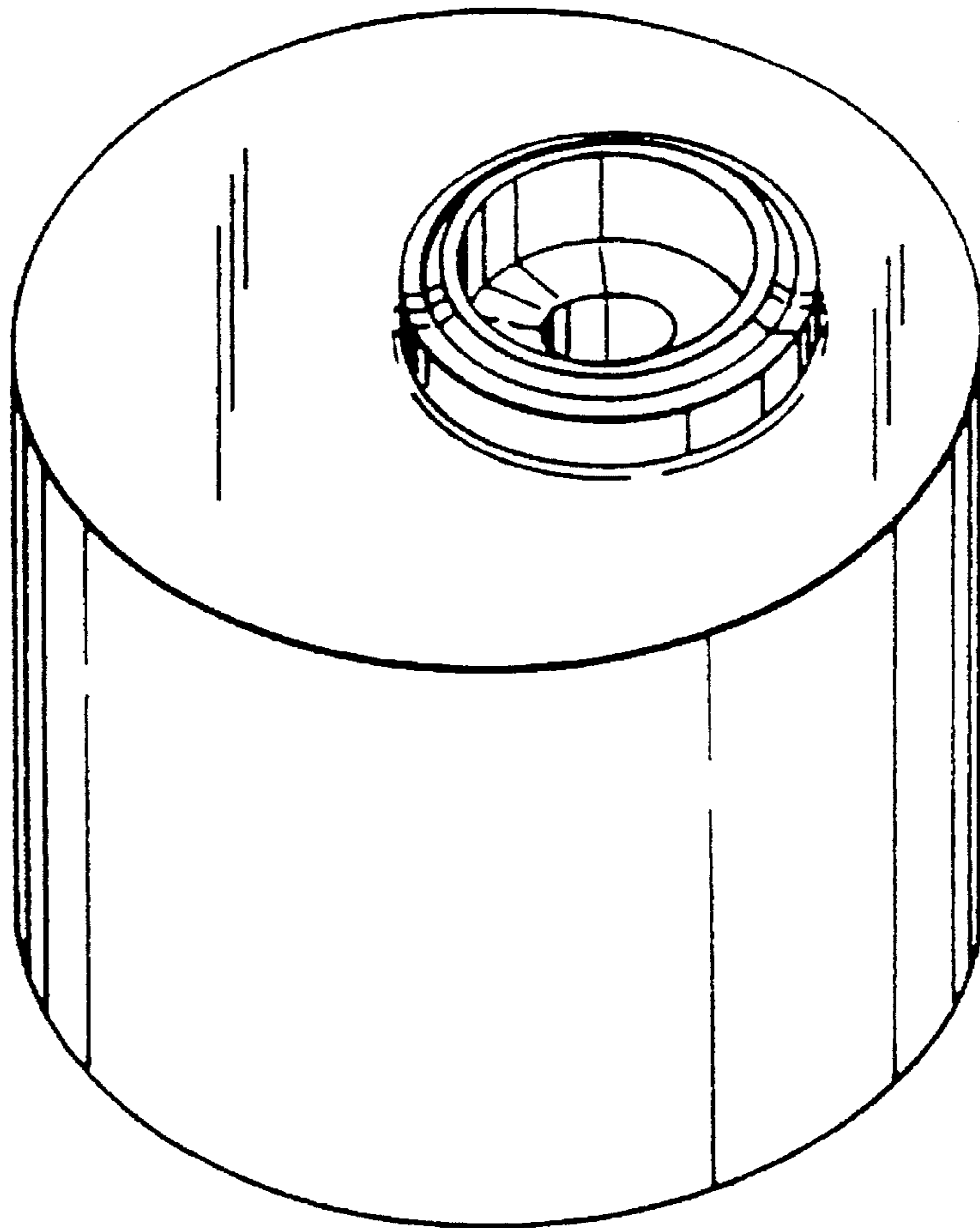
FIG. 11 is a bottom plan view thereof;

FIG. 12 is an end view thereof; and,

FIG. 13 is the opposite end view thereof.

Primary Examiner—Stella Reid

1 Claim, 6 Drawing Sheets



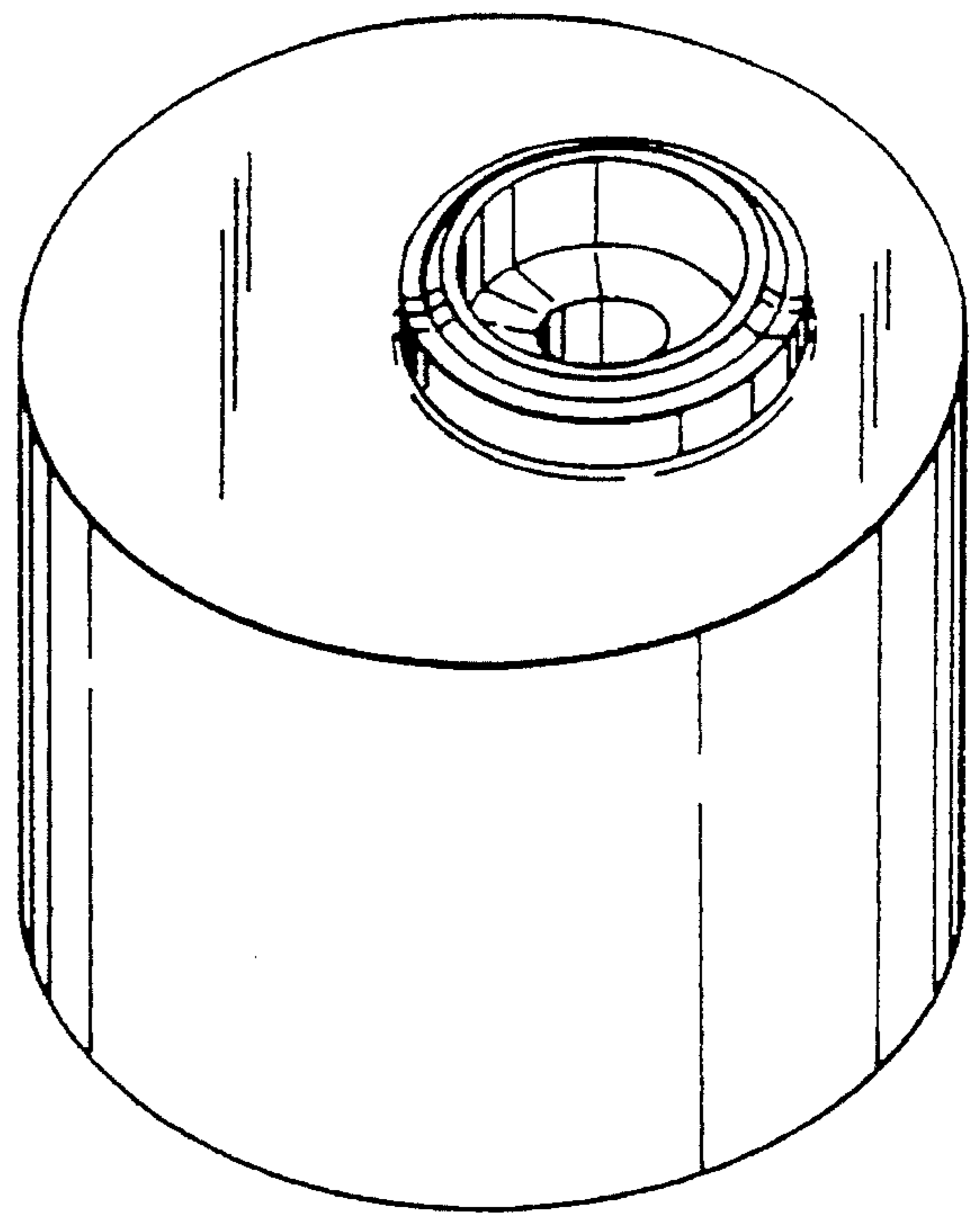


Fig 1

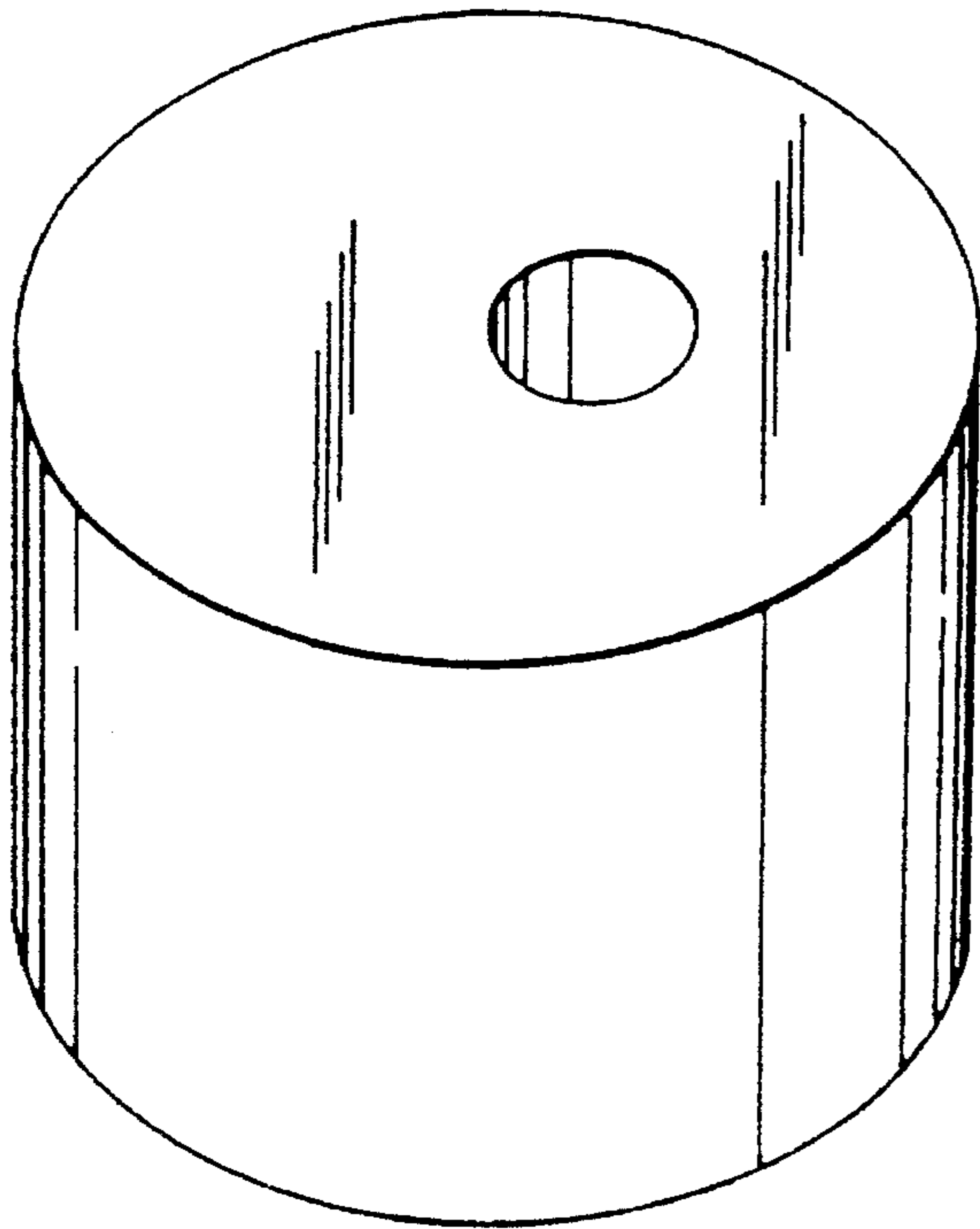


Fig 2

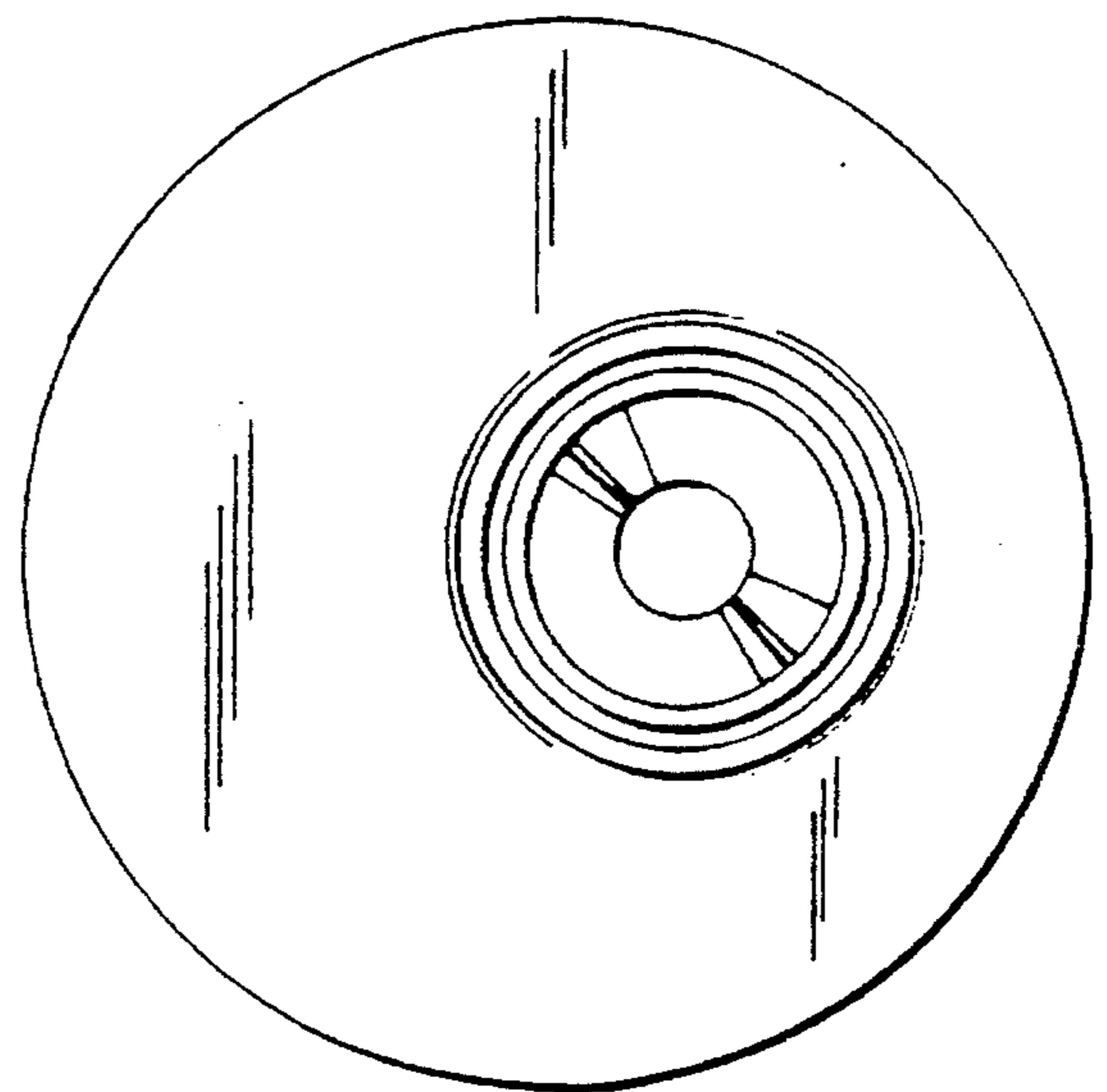


Fig 3

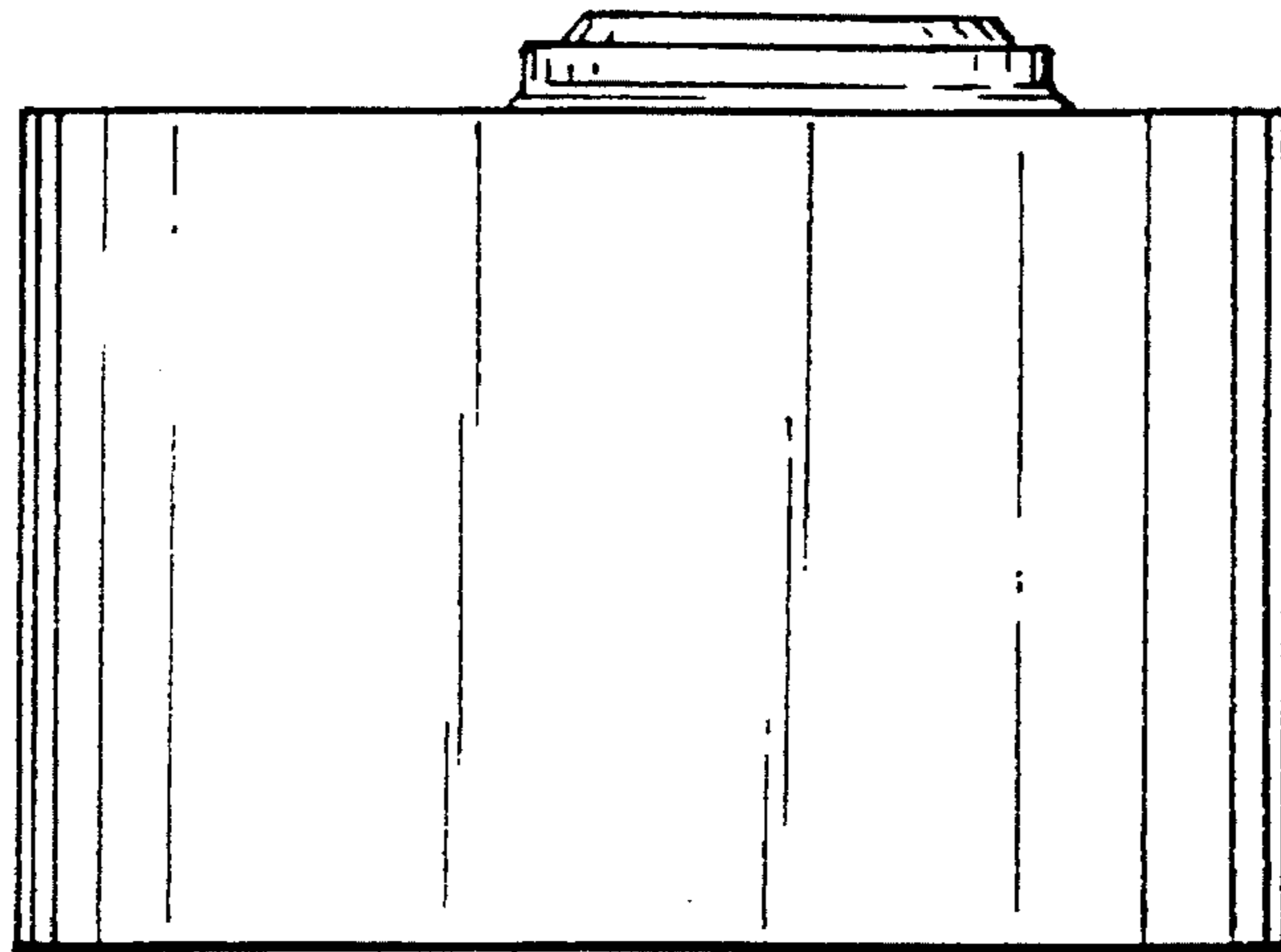


Fig 4

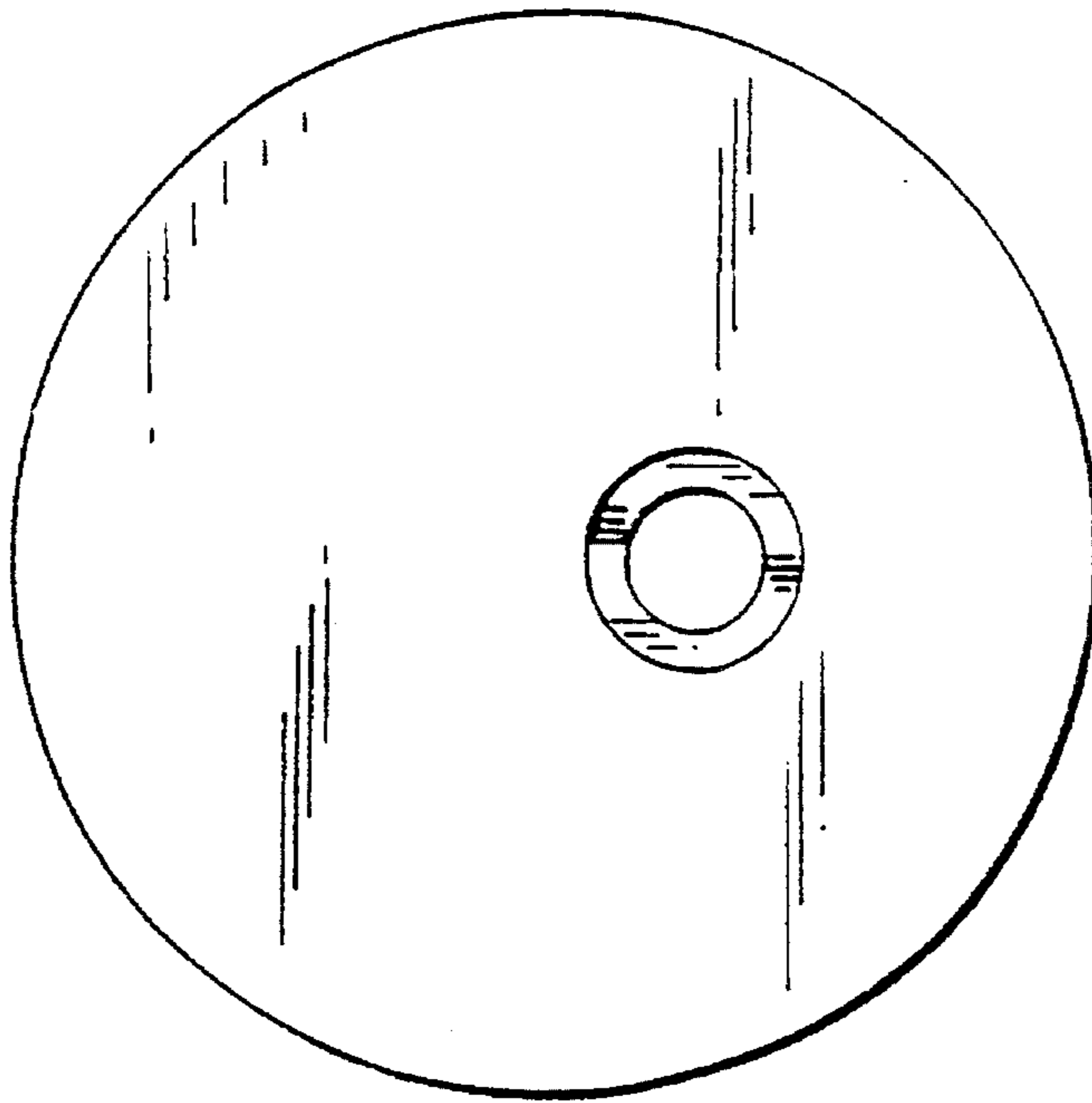


Fig 5

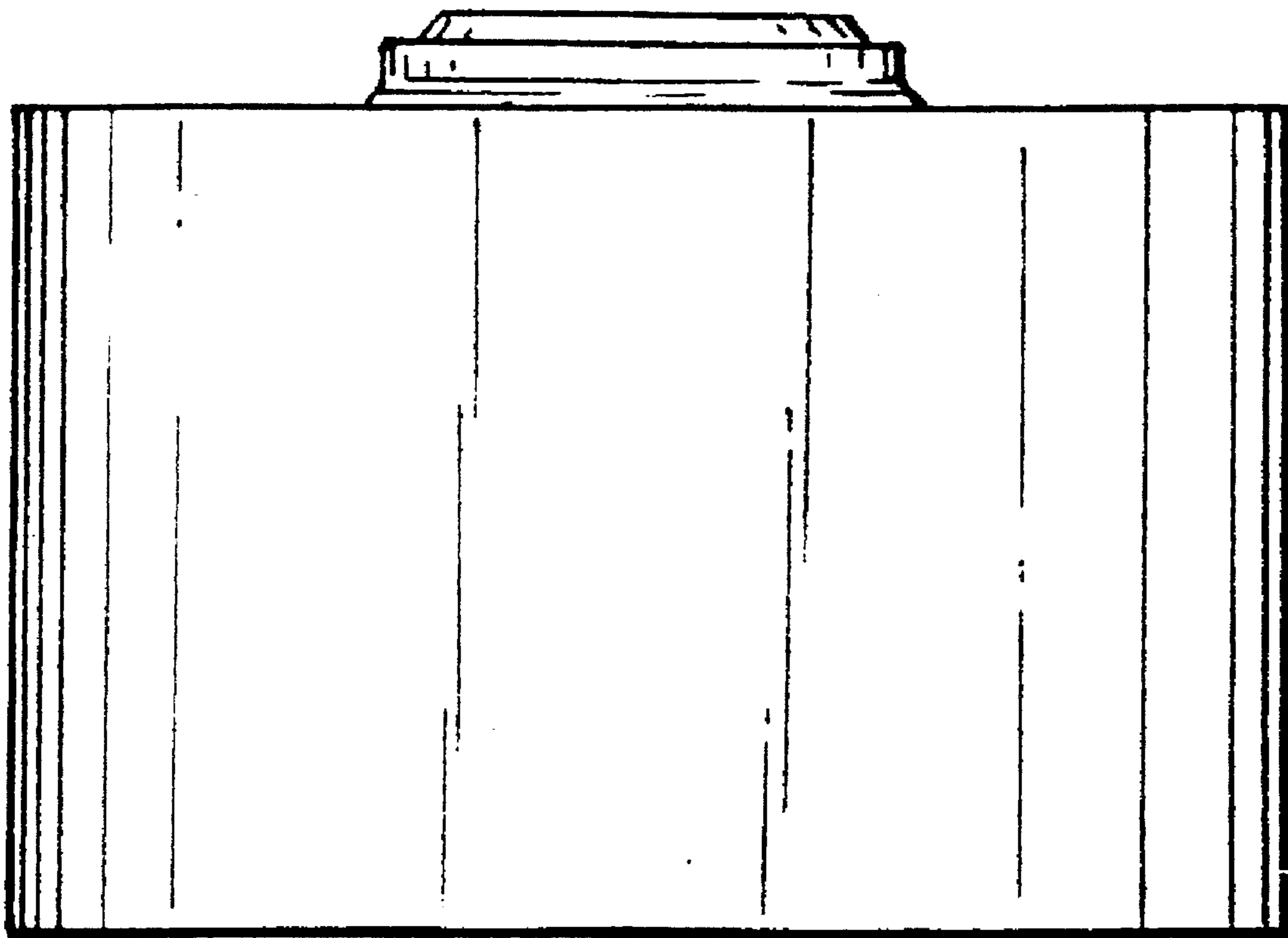


Fig 6

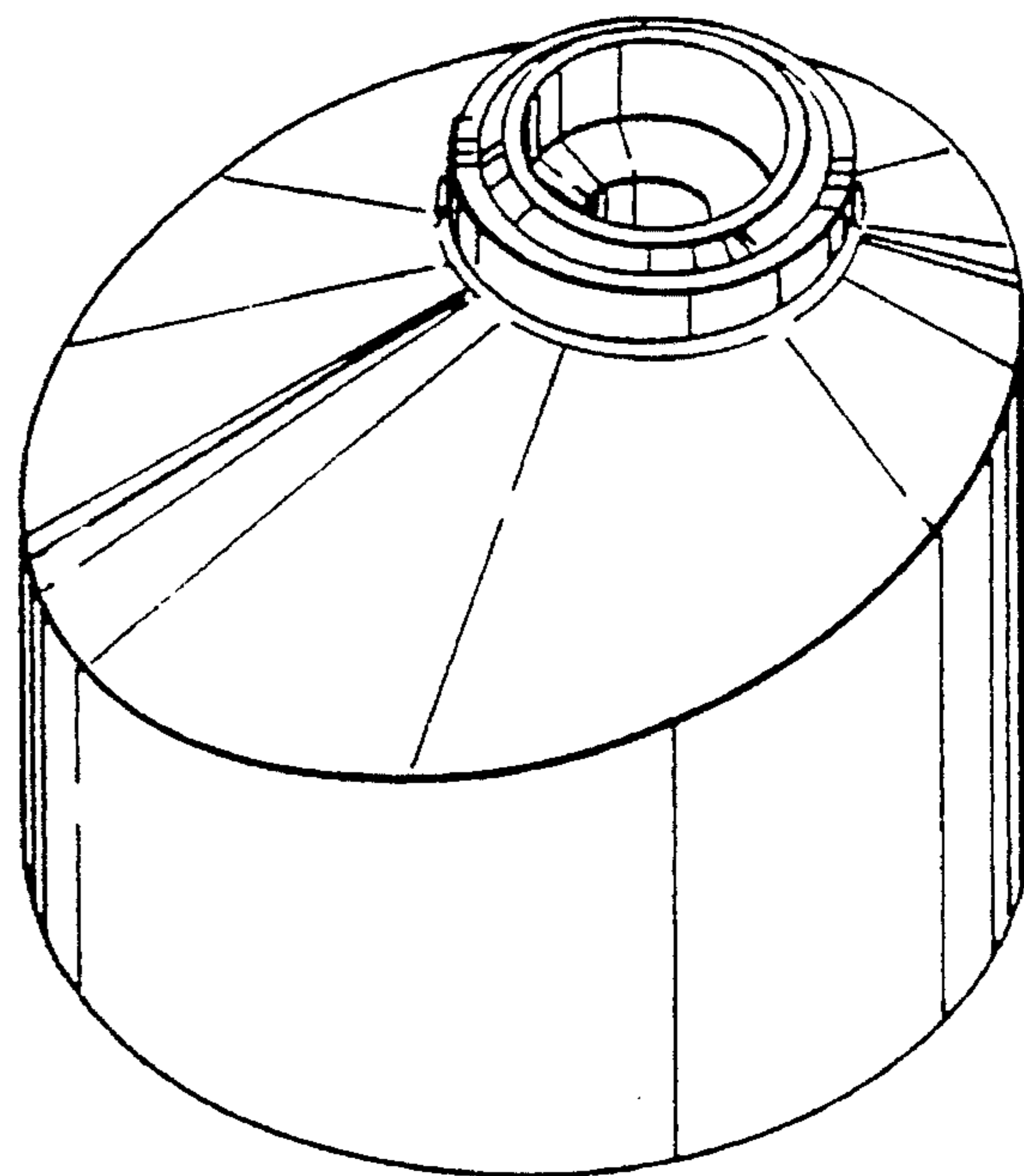


Fig 7

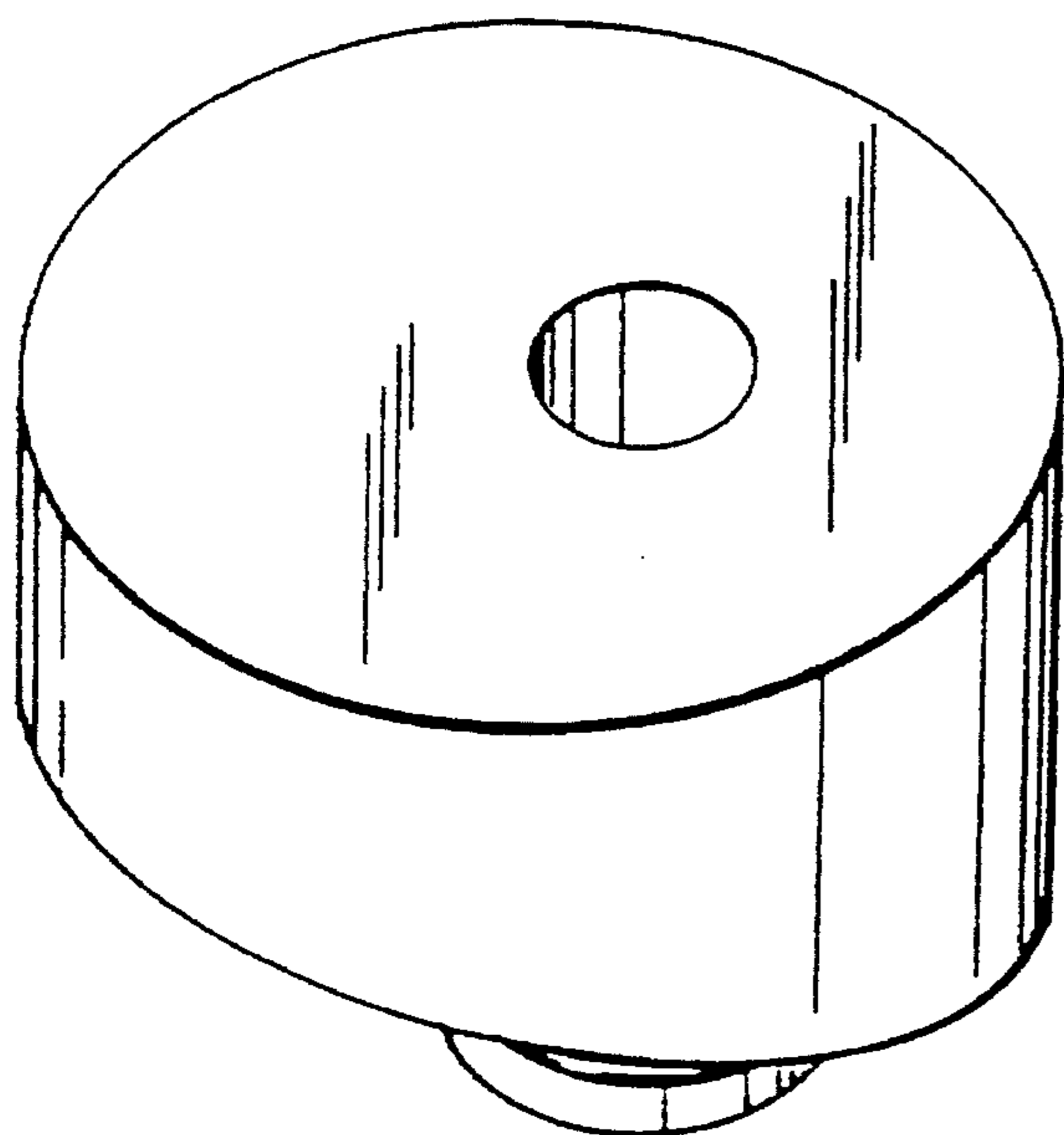


Fig 8

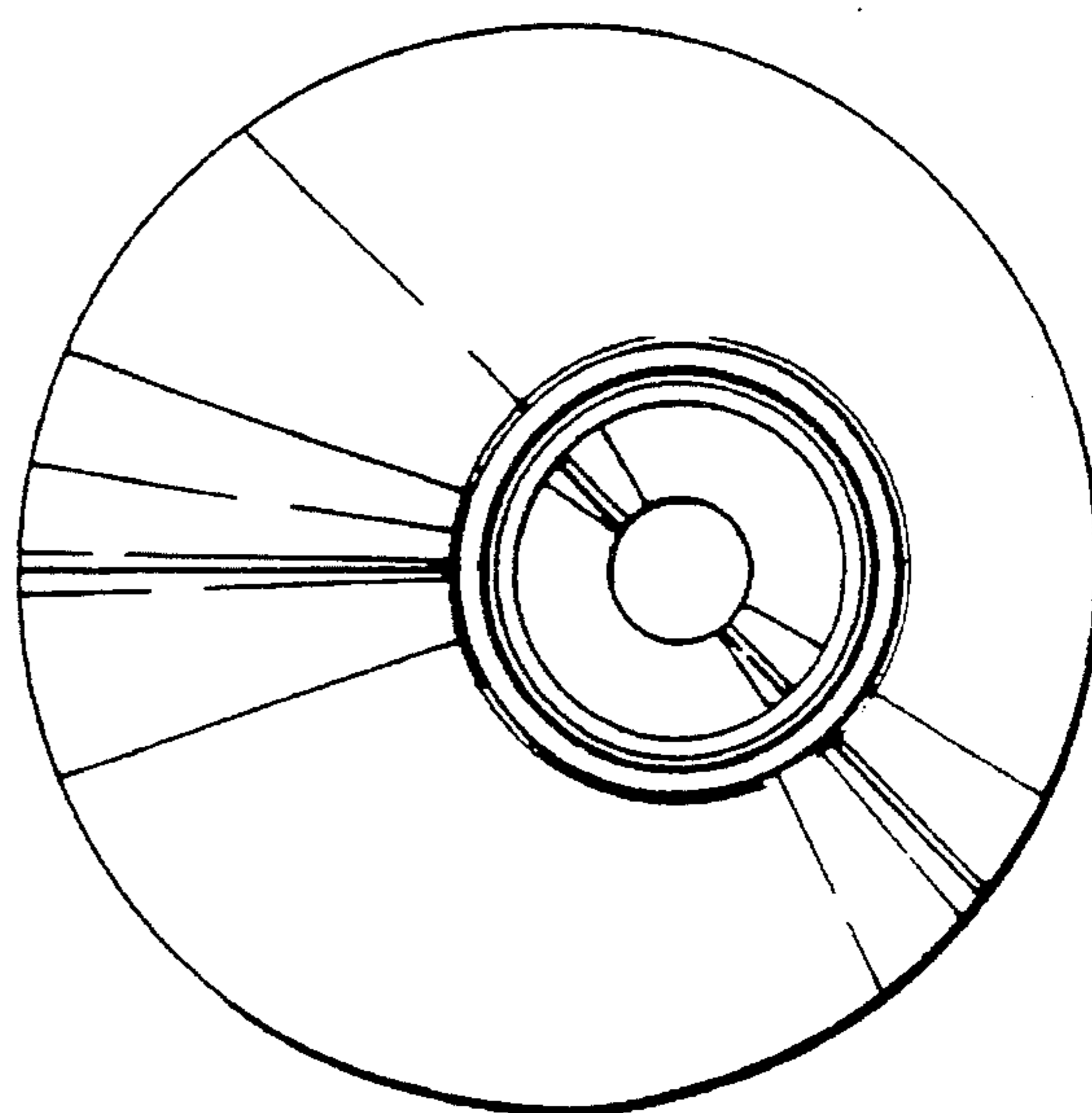


Fig 9

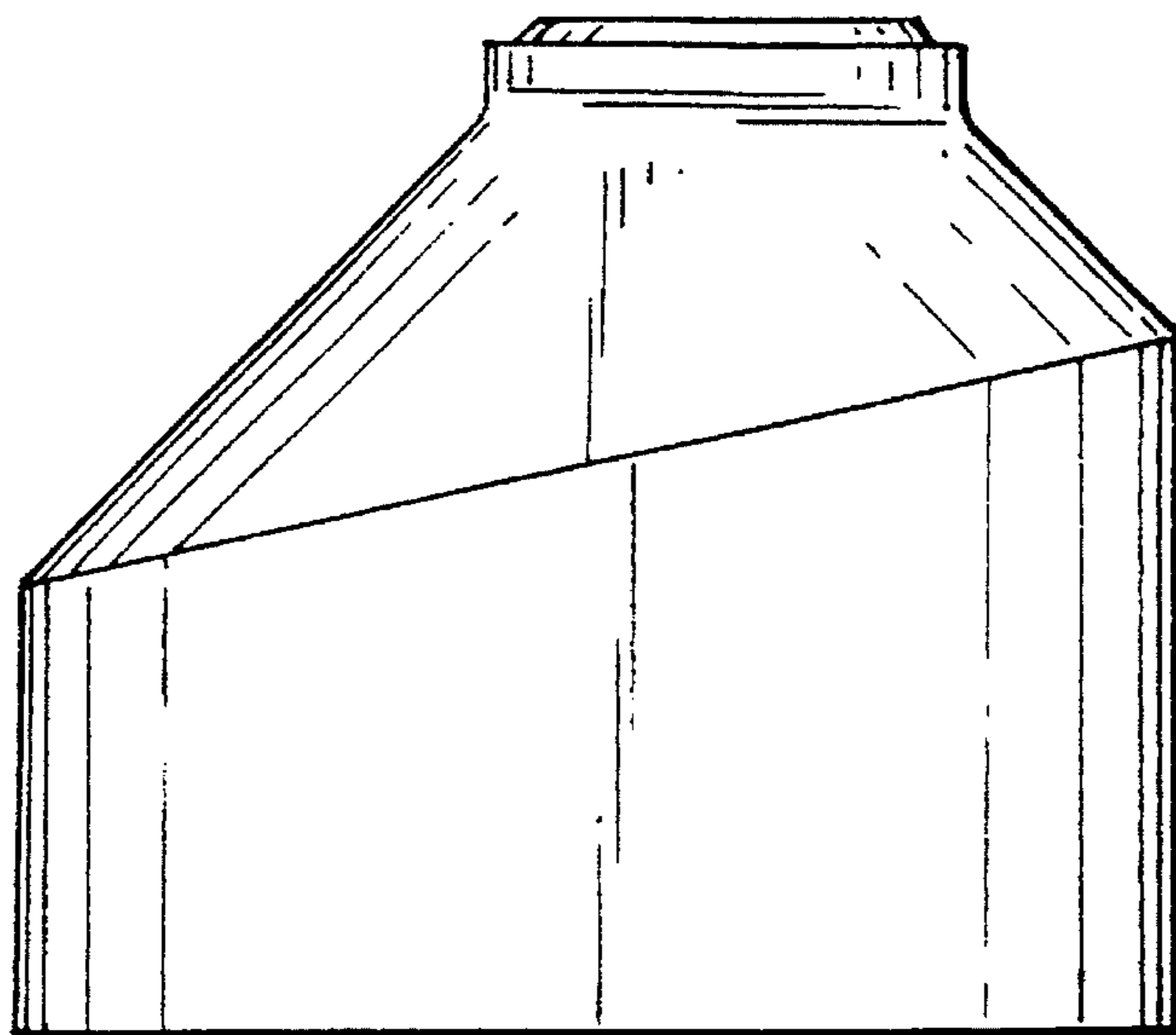


Fig 10

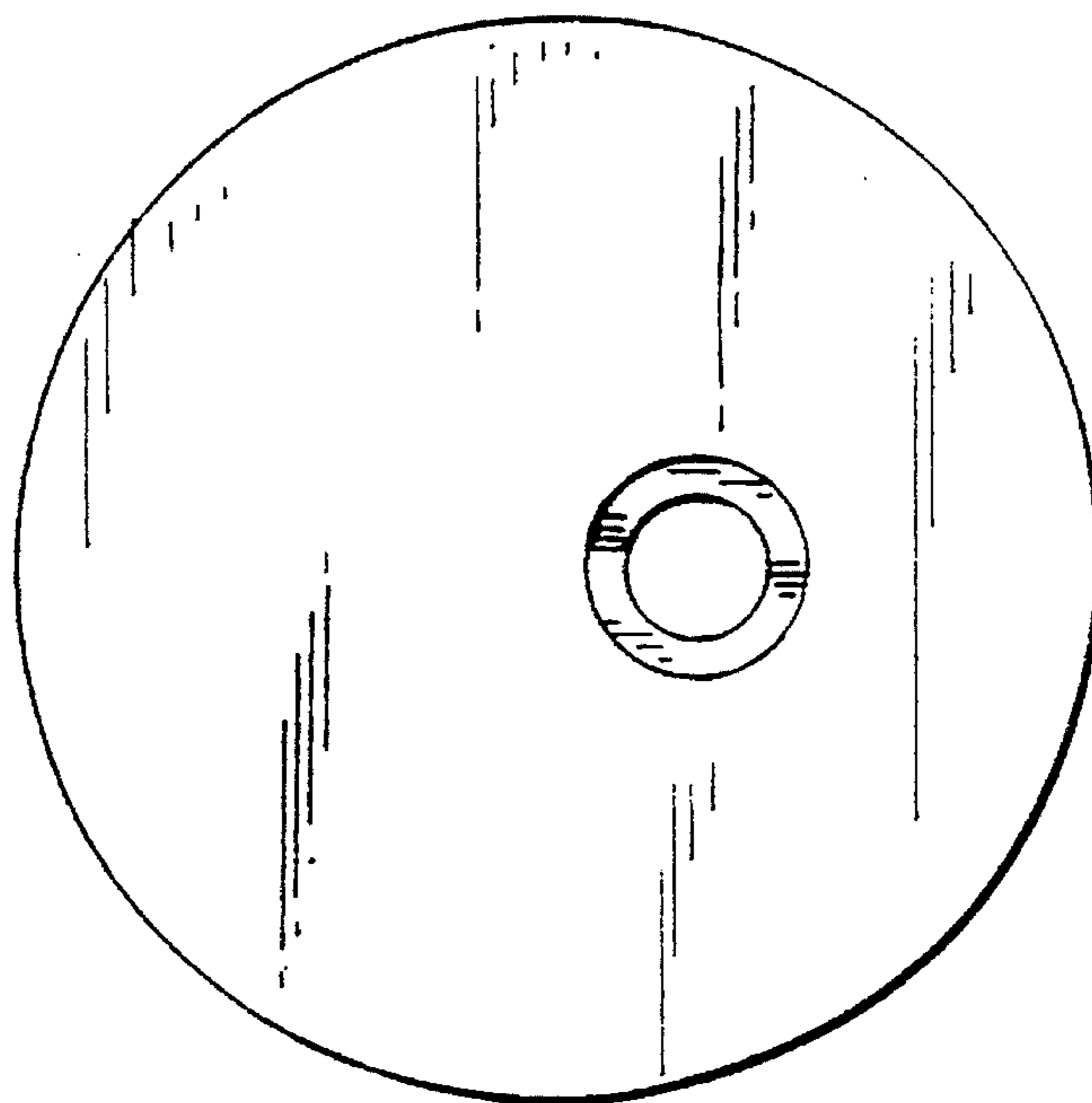


Fig 11

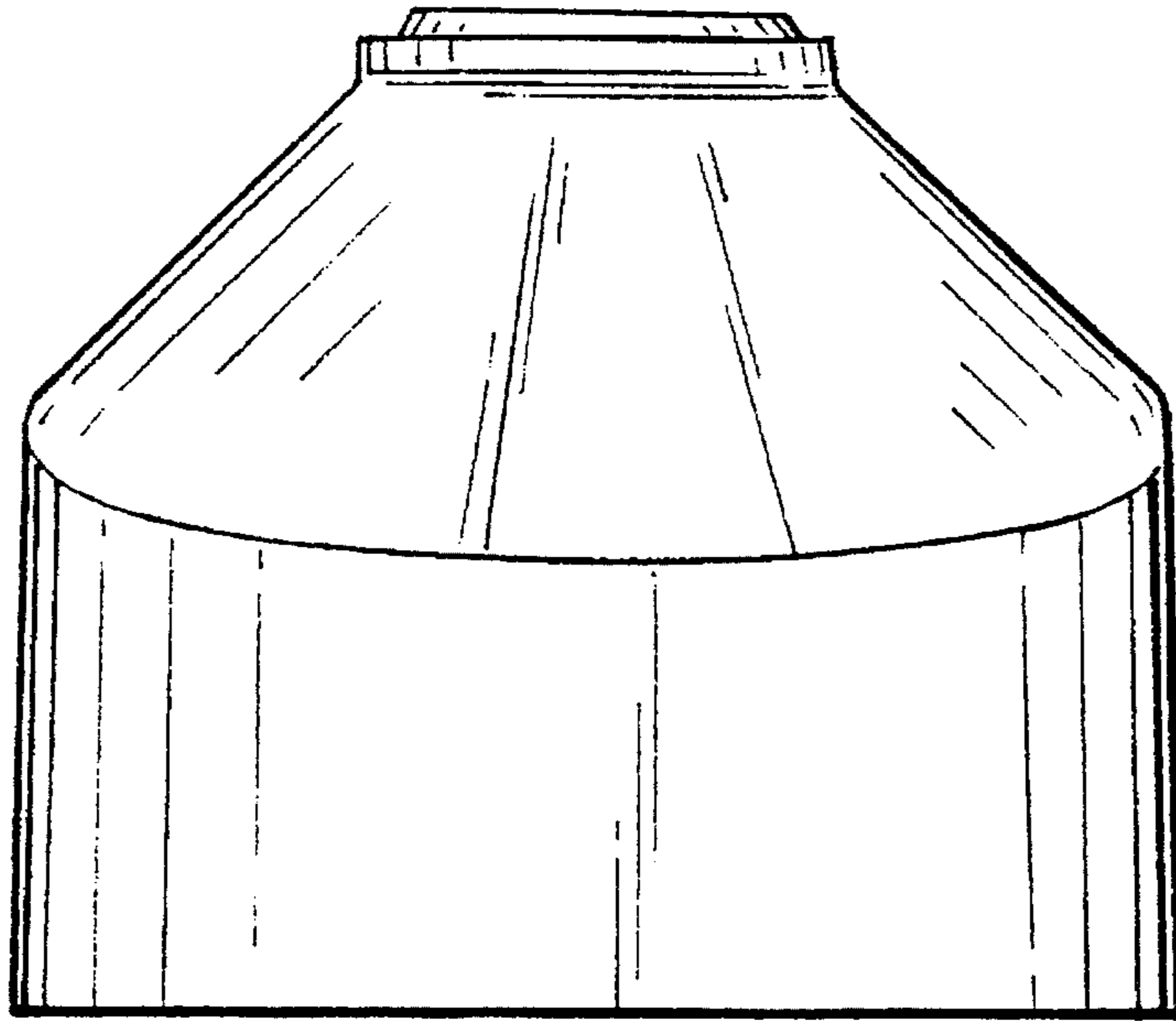


Fig 12

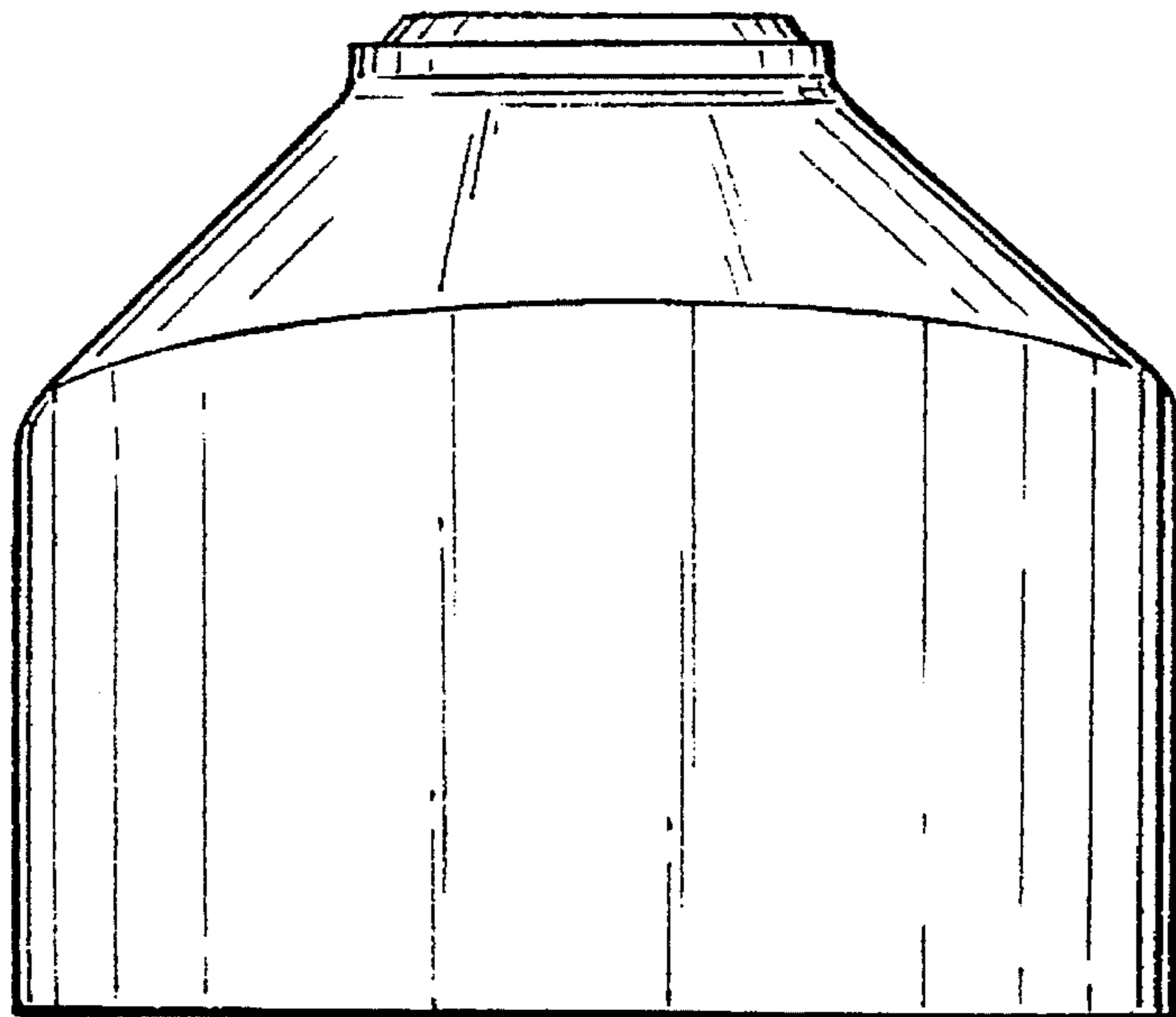


Fig 13