



US00D372774S

United States Patent [19] Holbrook

[11] Patent Number: **Des. 372,774**

[45] Date of Patent: ****Aug. 13, 1996**

[54] **COMBINED HOUSING AND LIGHT
FIXTURE FOR AN ELECTRIC CEILING FAN**

[75] Inventor: **Richard M. Holbrook**, Pasadena, Calif.

[73] Assignee: **Hunter Fan Company**, Memphis,
Tenn.

[**] Term: **14 Years**

[21] Appl. No.: **40,344**

[22] Filed: **Jun. 15, 1995**

[52] U.S. Cl. **D23/411; D23/377; D23/379**

[58] Field of Search **D23/377, 379,
D23/385, 411; 416/5; 362/96; 392/364;
D26/81-86, 88, 59, 51, 72**

[56] **References Cited**

U.S. PATENT DOCUMENTS

D. 314,046	1/1991	Yen	D23/377
D. 348,729	7/1994	Mason	D23/377
D. 356,152	3/1995	Collmar	D23/377
D. 361,377	8/1995	Tsuji	D23/377

Primary Examiner—Lisa P. Lichtenstein
Attorney, Agent, or Firm—Baker, Donelson, Bearman &
Caldwell

[57] **CLAIM**

The ornamental design for a combined housing and light fixture for an electric ceiling fan, as shown and described.

DESCRIPTION

FIG. 1 is a perspective view of a first embodiment of a combined housing and light fixture for an electric ceiling fan showing my new design;

FIG. 2 is an enlarged top plan view thereof;

FIG. 3 is an enlarged side elevational view thereof, the other sides being substantially identical to that shown;

FIG. 4 is an enlarged bottom plan view thereof;

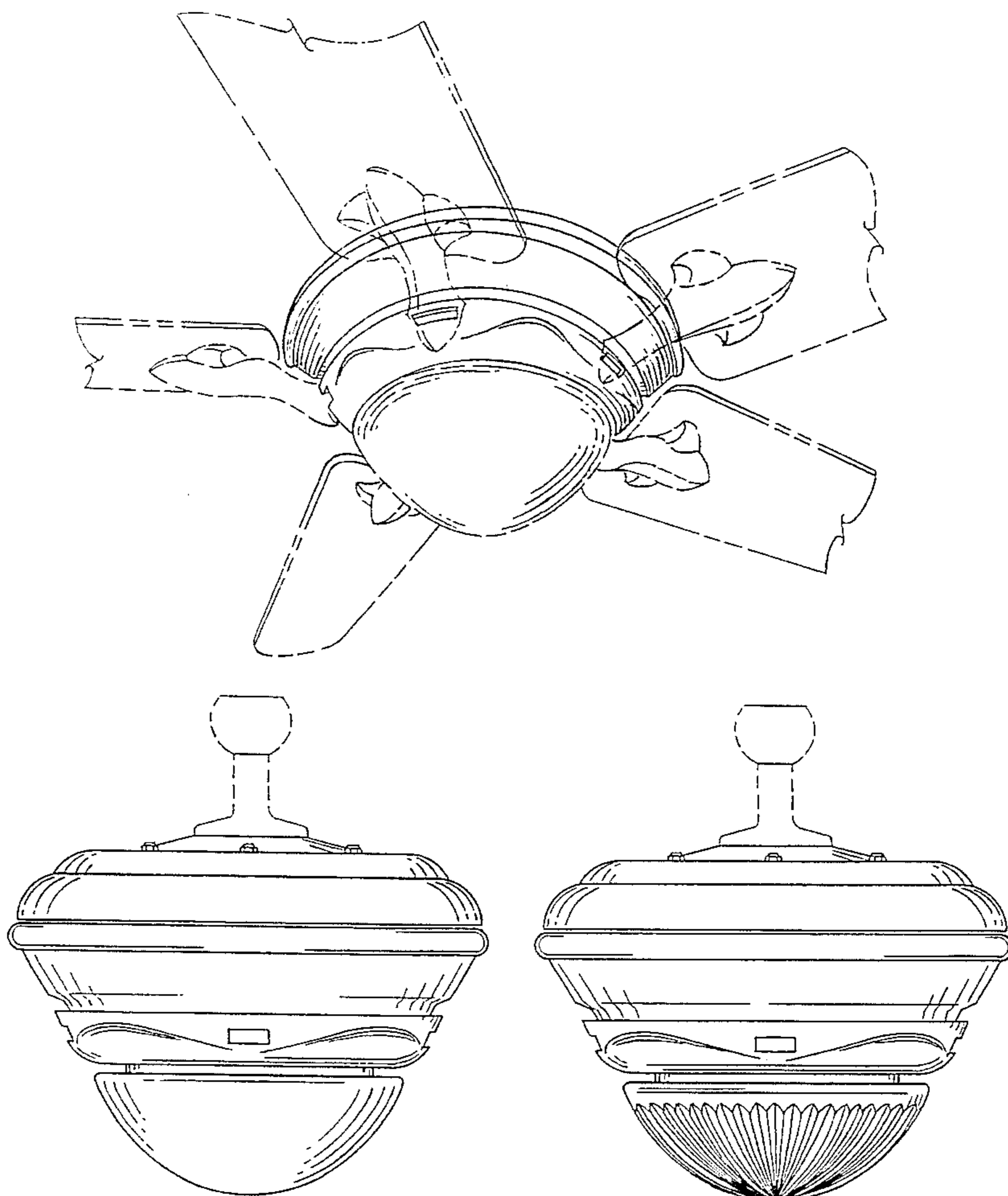
FIG. 5 is an enlarged side elevational view of a second embodiment of my new design showing a fluted bottom portion; and,

FIG. 6 is an enlarged bottom view of figures.

The broken line showing of environmental structure in FIGS. 1, 2, 3 and 5 is for illustrative purposes only and forms no part of the claimed design.

The sole difference between the first and second embodiments resides in the appearance of the bottom light fixture.

1 Claim, 3 Drawing Sheets



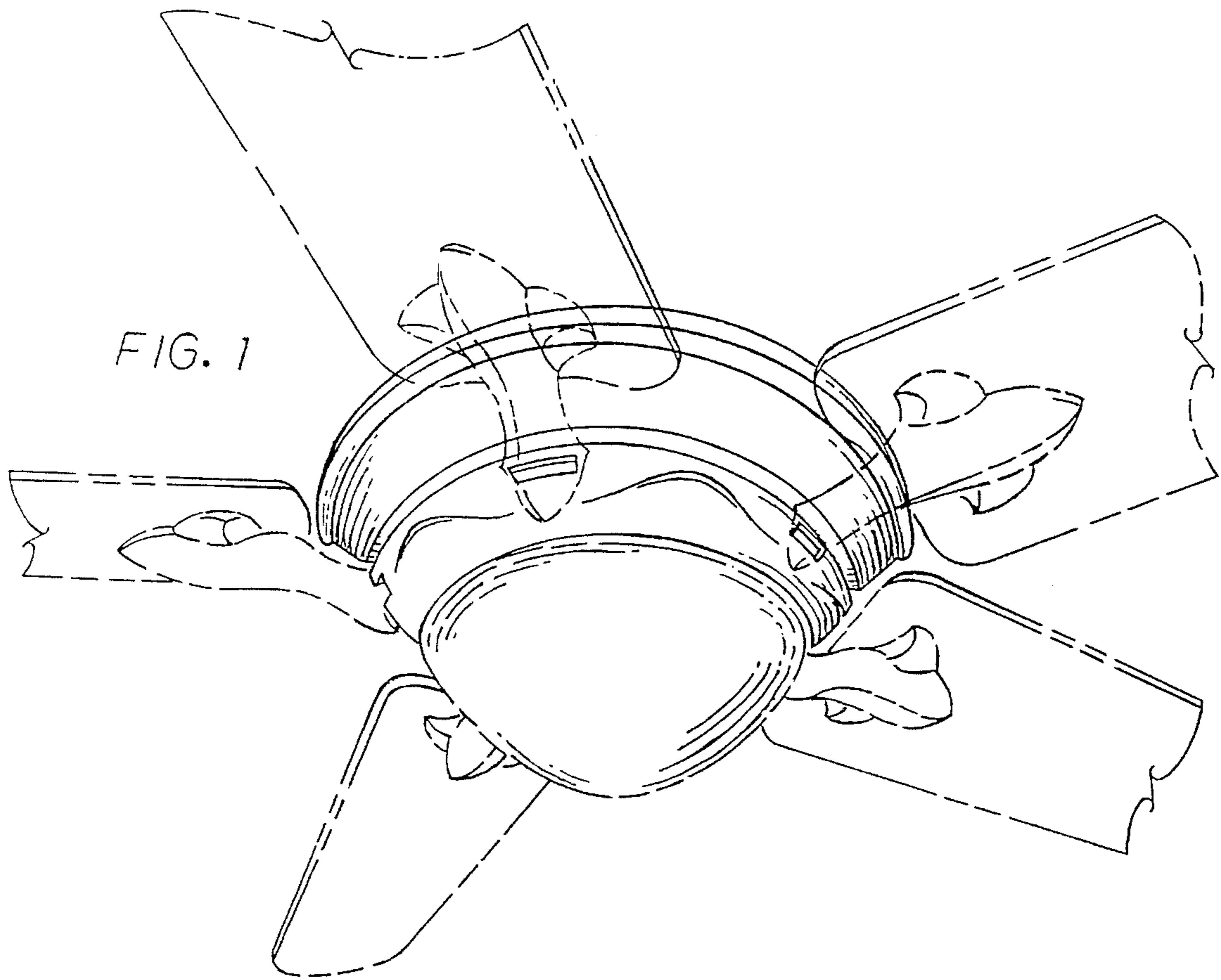


FIG. 2

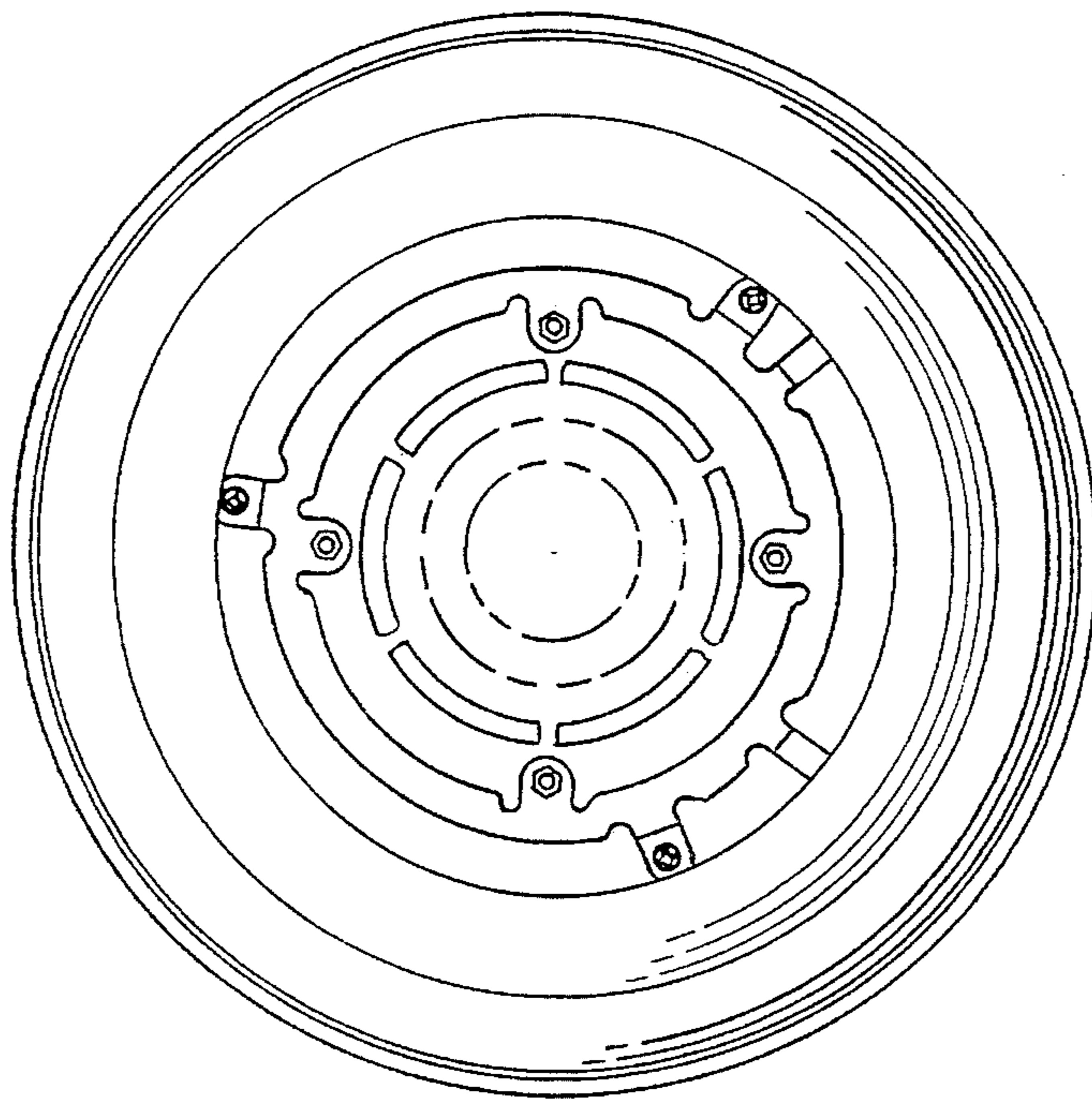


FIG. 3

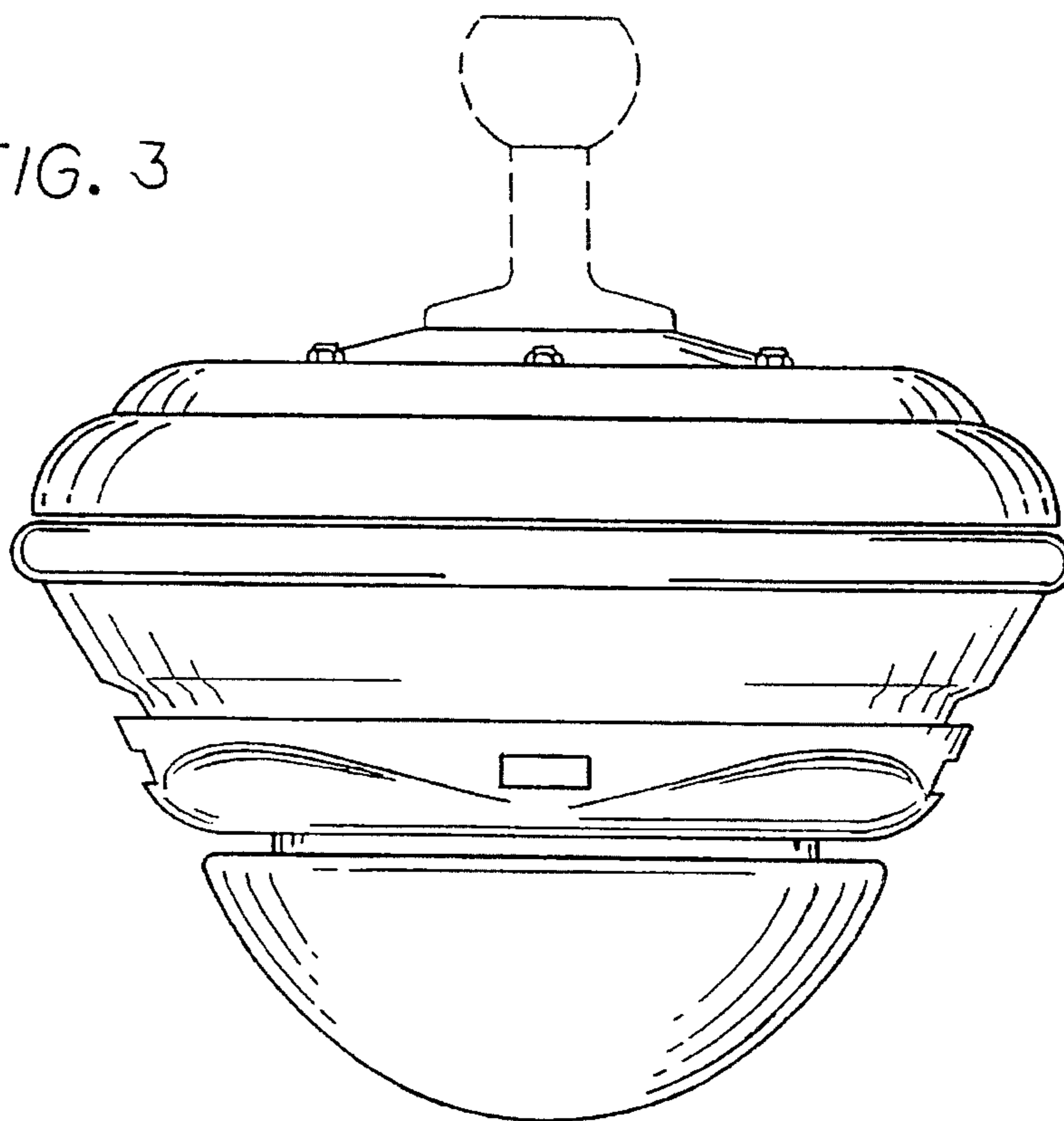


FIG. 4

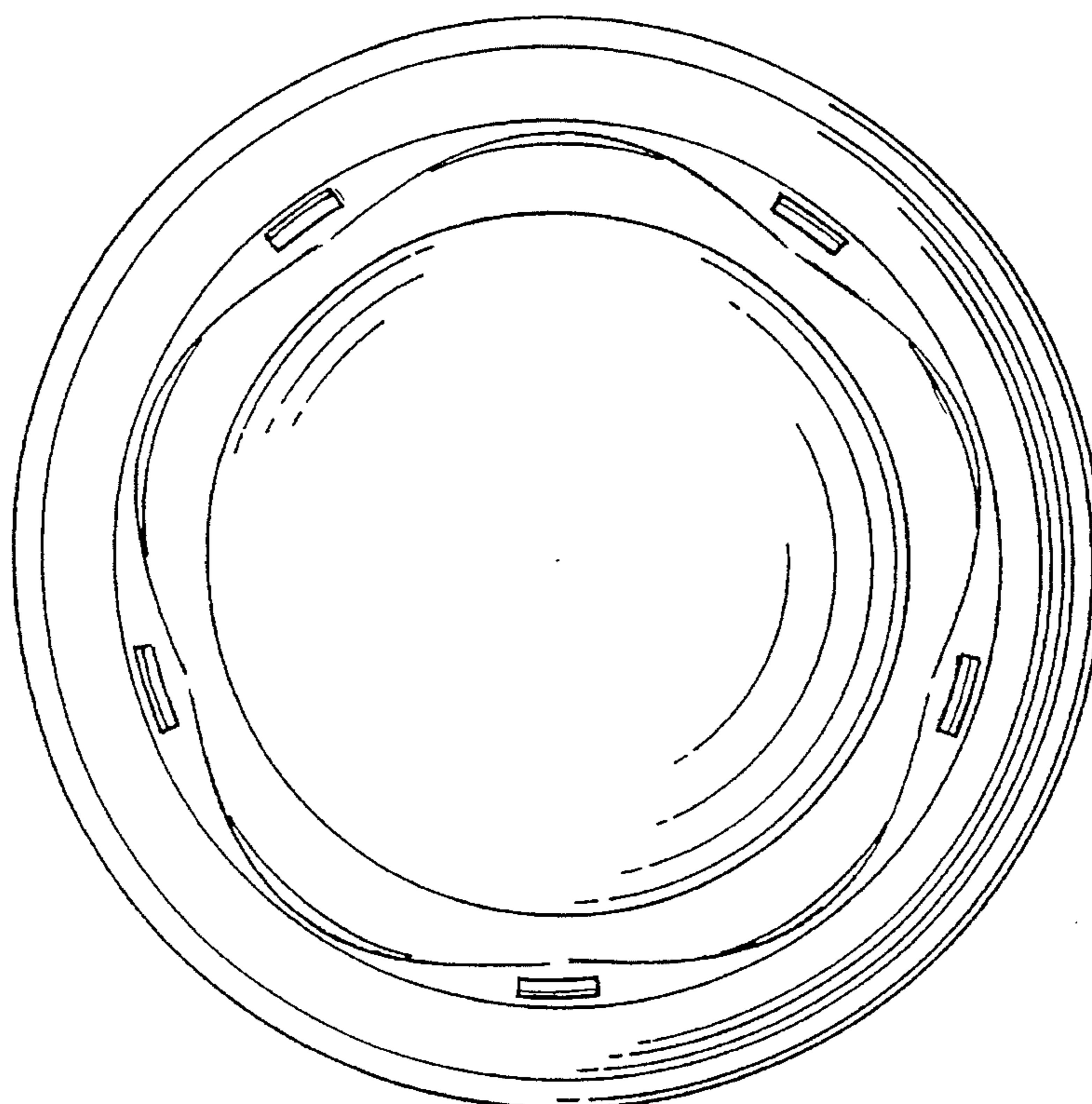


FIG. 5

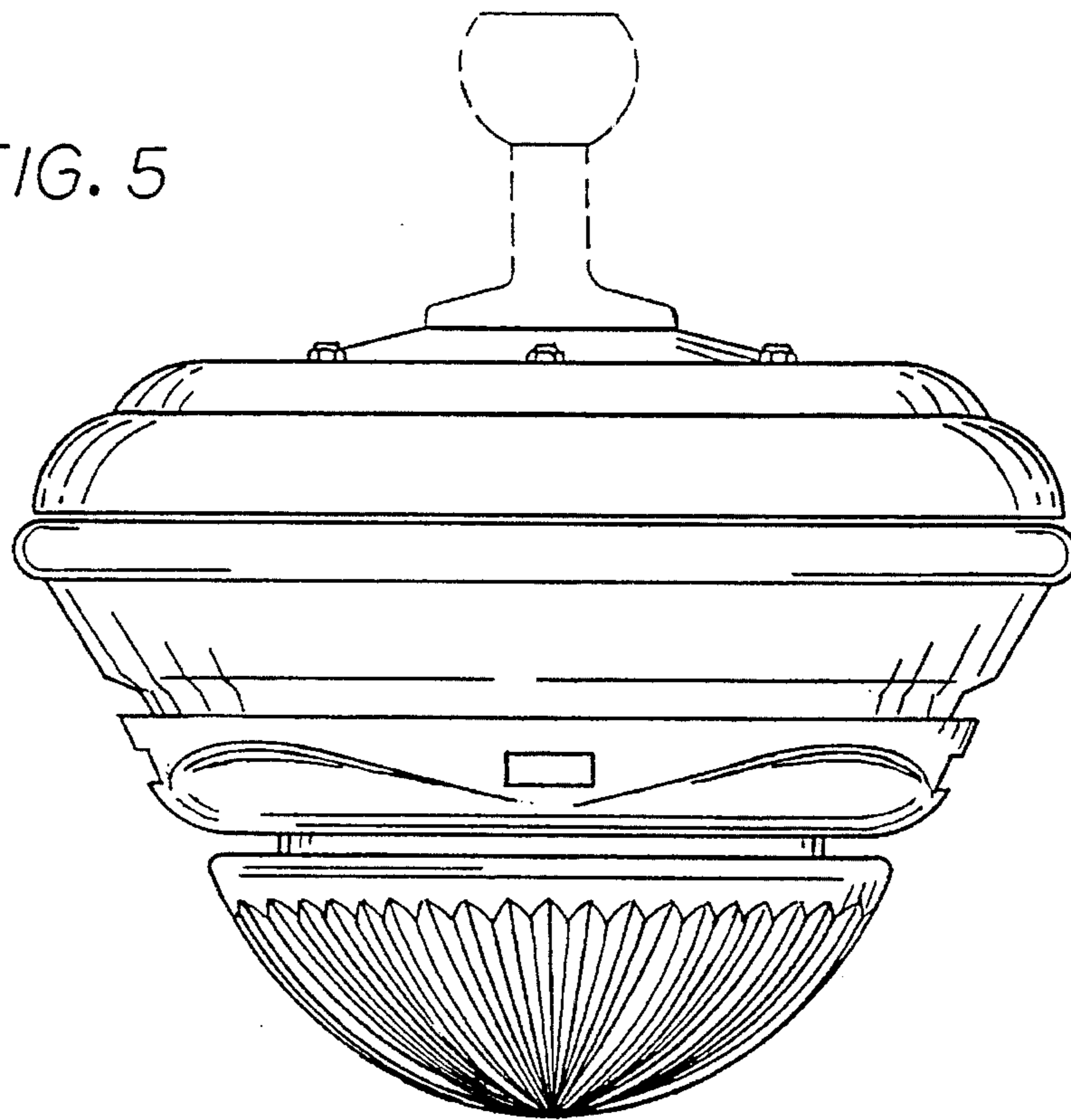
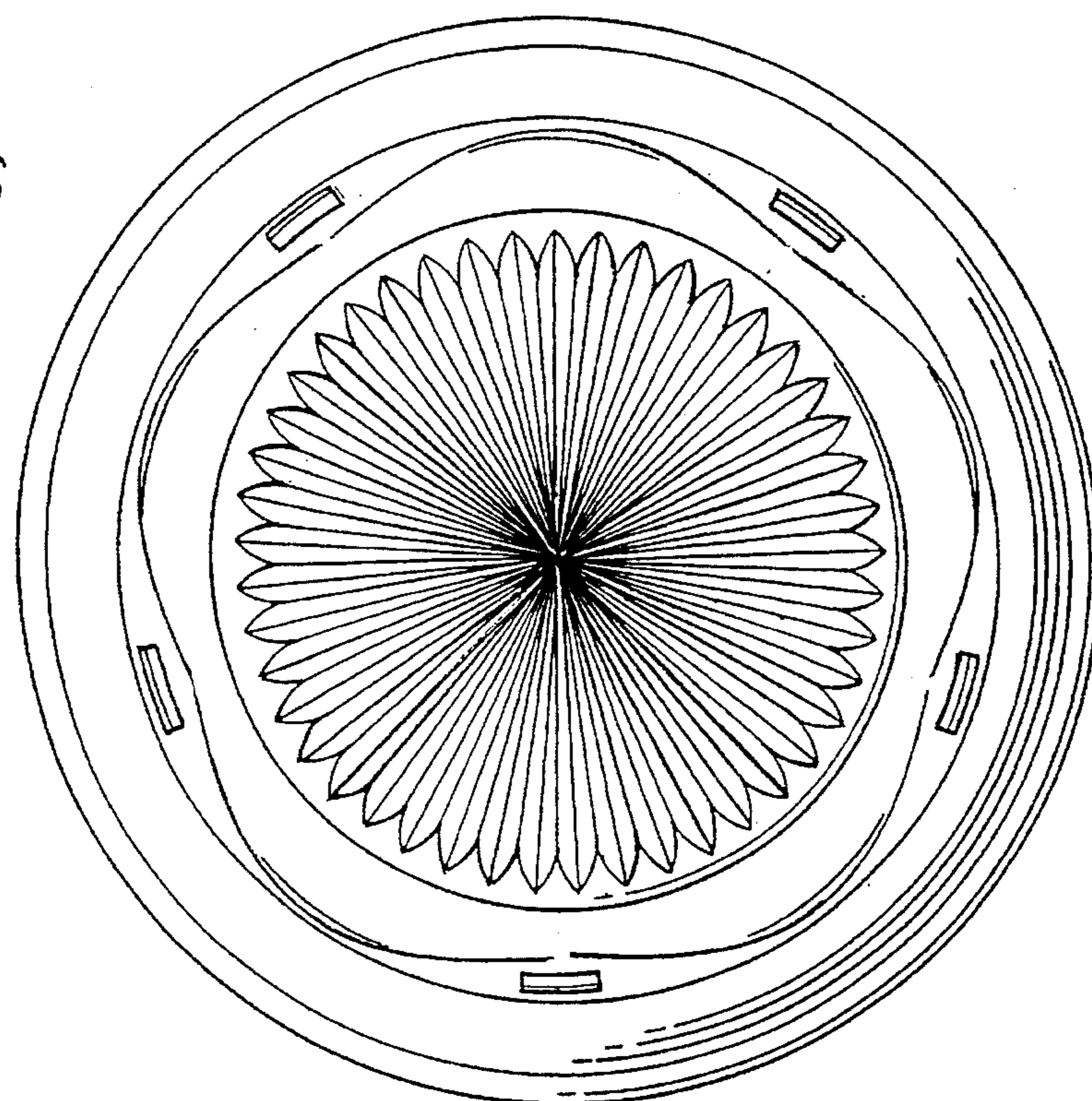


FIG. 6



UNITED STATES PATENT AND TRADEMARK OFFICE
CERTIFICATE OF CORRECTION

PATENT NO. : Des. 372,774
DATED : August 13, 1996
INVENTOR(S) : Richard M. Holbrook

It is certified that error appears in the above-identified patent and that said Letters Patent is hereby corrected as shown below:

column 2, under DESCRIPTION, after FIG. 6:

please delete "figures"
and insert --figure 5--.

Signed and Sealed this
Nineteenth Day of November, 1996

Attest:



BRUCE LEHMAN

Attesting Officer

Commissioner of Patents and Trademarks