



US00D372773S

United States Patent [19]
Young

[11] **Patent Number: Des. 372,773**

[45] **Date of Patent: **Aug. 13, 1996**

[54] **AIR BLOWING MIRROR DRIER**

[76] Inventor: **Edward L. Young**, 141 Prairie Ave.,
Springfield, Ohio 45505

[**] Term: **14 Years**

[21] Appl. No.: **33,794**

[22] Filed: **Jan. 20, 1995**

[52] U.S. Cl. **D23/386**

[58] Field of Search D23/386, 314,
D23/324, 355, 356; 219/203, 219; 392/363

[56] **References Cited**

U.S. PATENT DOCUMENTS

D. 347,275	5/1994	Lovell	D23/386	X
D. 364,225	11/1995	Canney	D23/355	X
2,121,753	6/1938	Cornell, Jr.	219/203	X
2,171,662	9/1939	Marchand	219/219	X
3,331,940	7/1967	Reid, Jr.	219/203	
4,037,079	7/1977	Armbruster	219/219	
4,988,847	1/1991	Argos et al.	219/219	X
5,063,283	11/1991	Orazi	219/219	X

Primary Examiner—A. Hugo Word
Assistant Examiner—Cynthia E. Ramirez
Attorney, Agent, or Firm—Harold H. Dutton, Jr.; W. Charles L. Jamsion; Diane F. Liebman

[57] **CLAIM**

The ornamental design for an air blowing mirror drier, as shown and described.

DESCRIPTION

FIG. 1 is a front plan view of a air blowing mirror drier showing my new design;
FIG. 2 is a rear plan view thereof;
FIG. 3 is a right side view thereof;
FIG. 4 is a left side view thereof;
FIG. 5 is a top view thereof; and,
FIG. 6 is a bottom view thereof.

The broken line showing of the mirror in FIGS. 3 and 4 is for illustrative purposes only and forms no part of the claimed design.

1 Claim, 3 Drawing Sheets

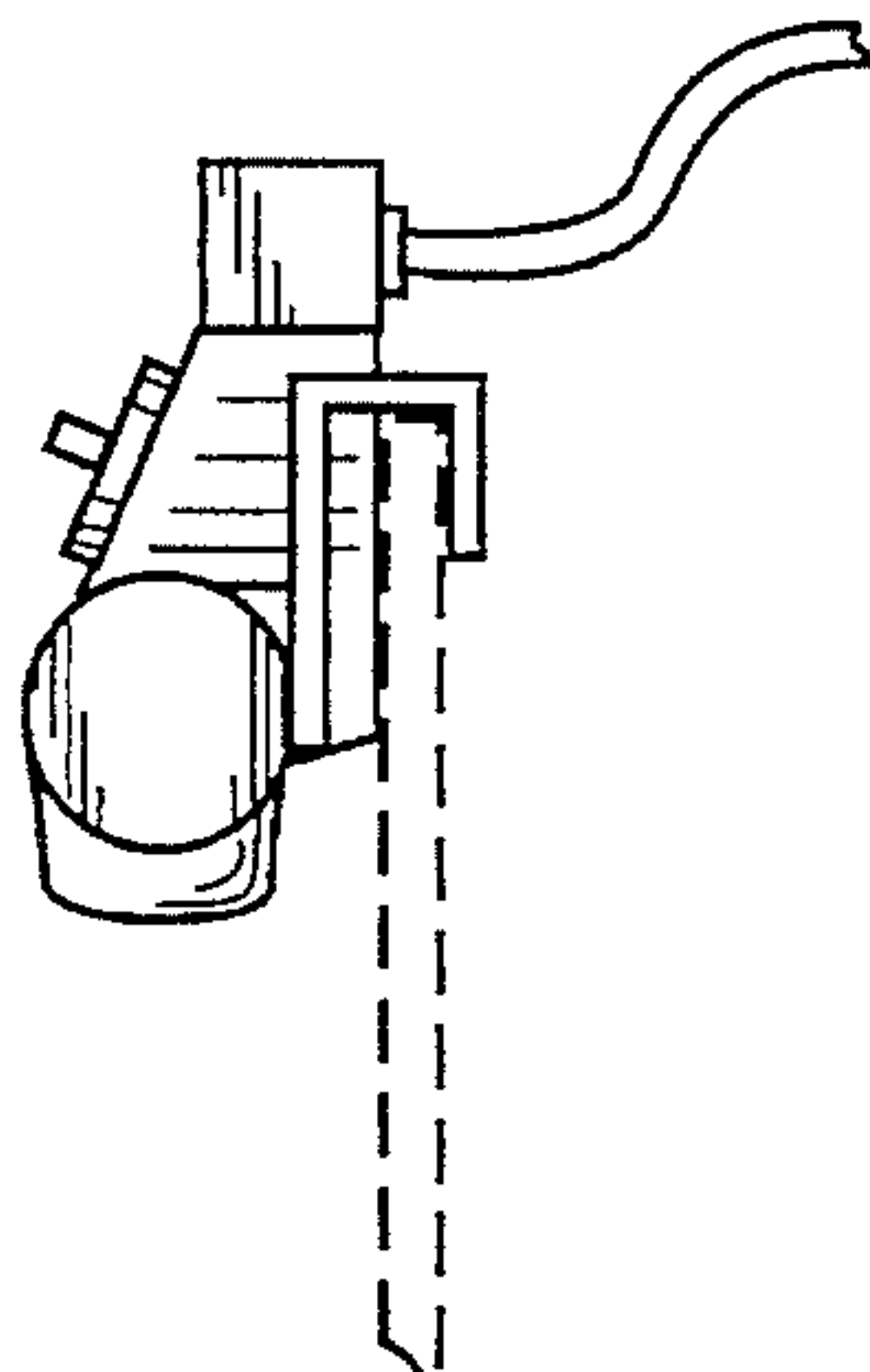
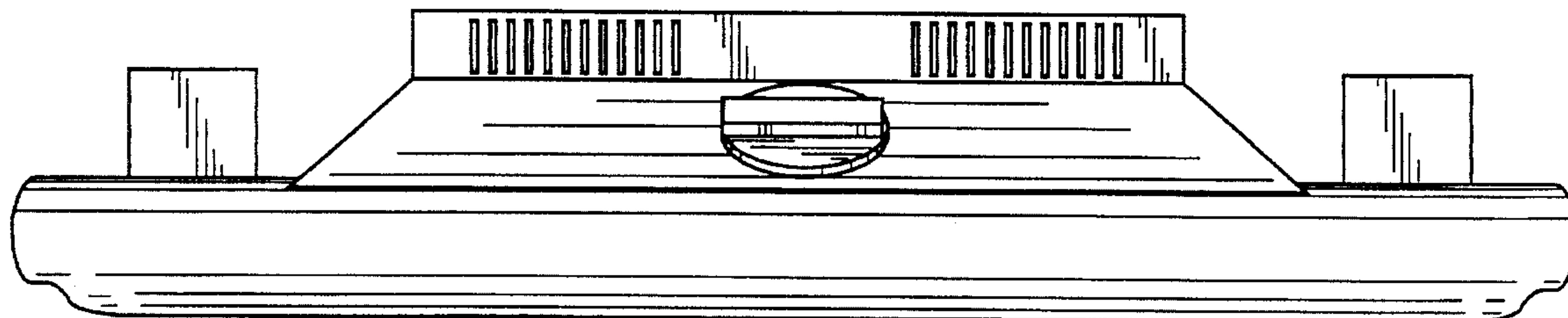


FIG. 1

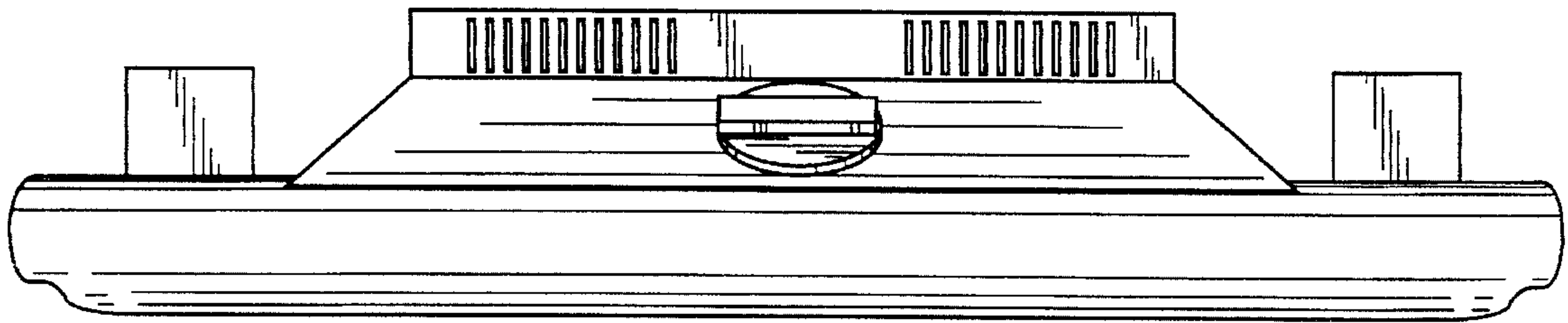
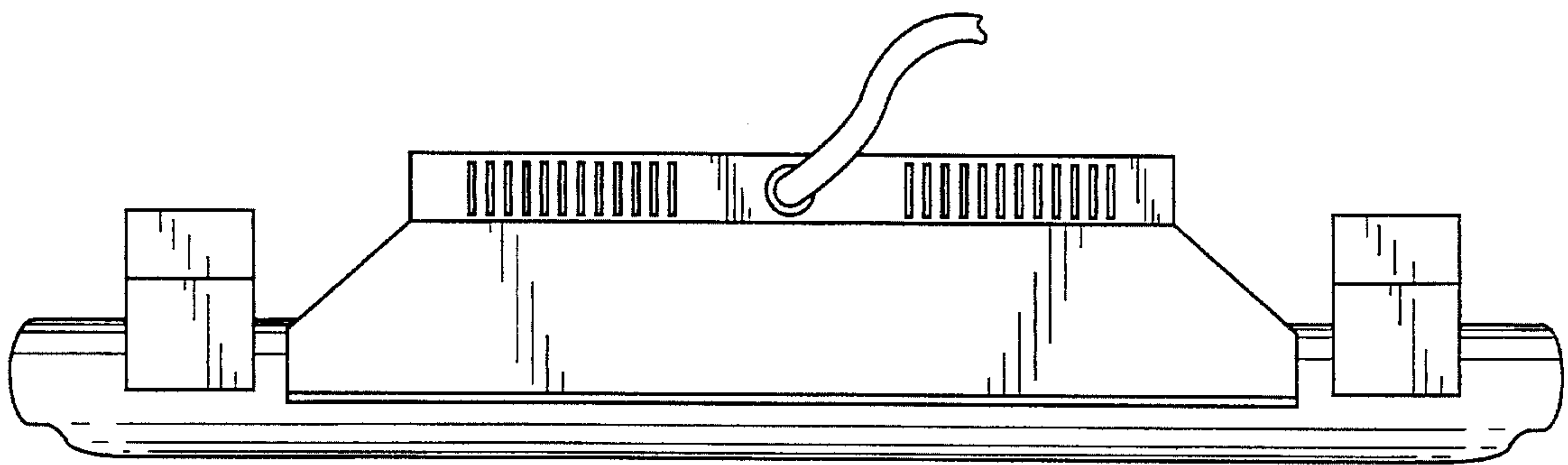


FIG. 2



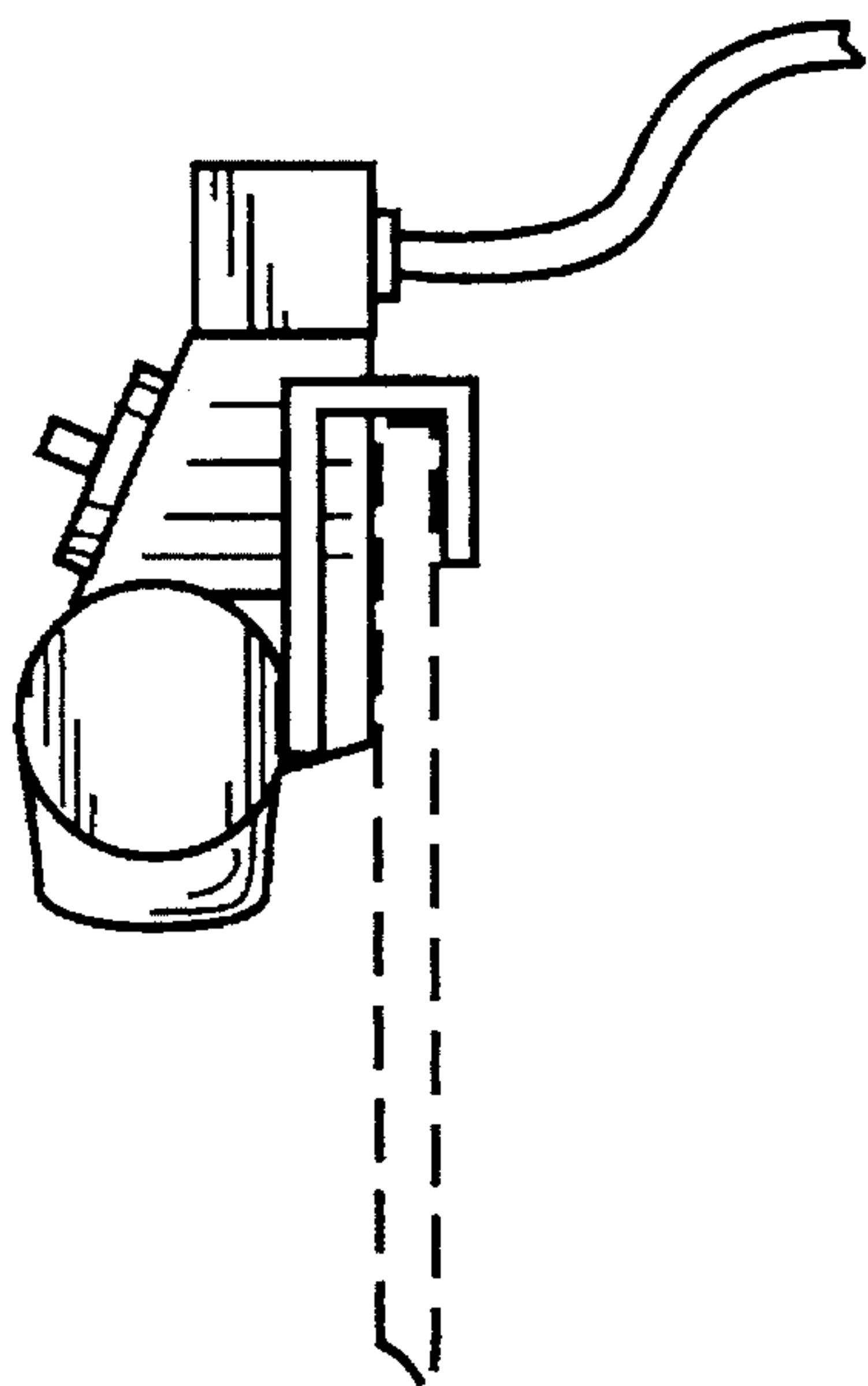


FIG. 3

FIG. 4

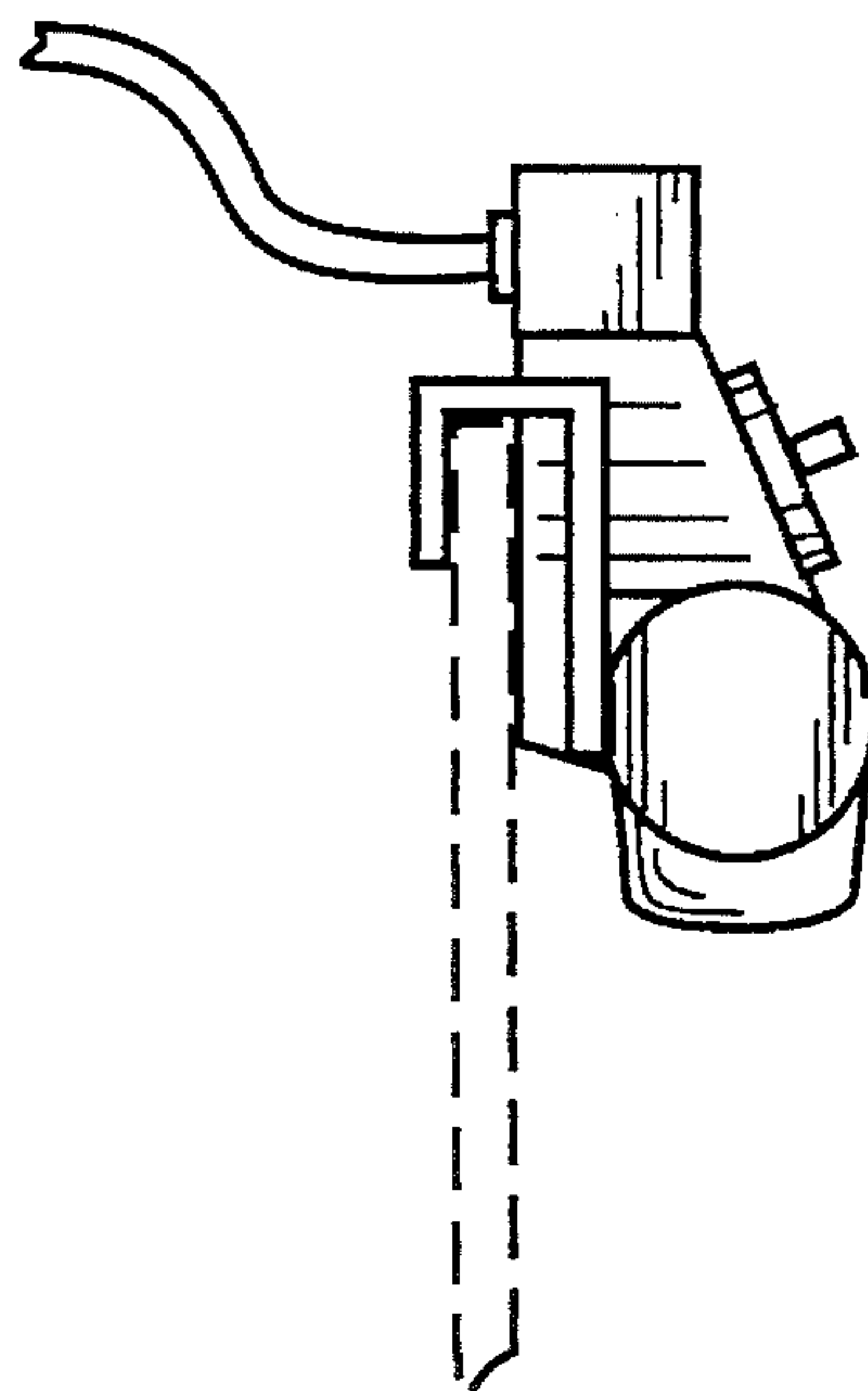


FIG. 5

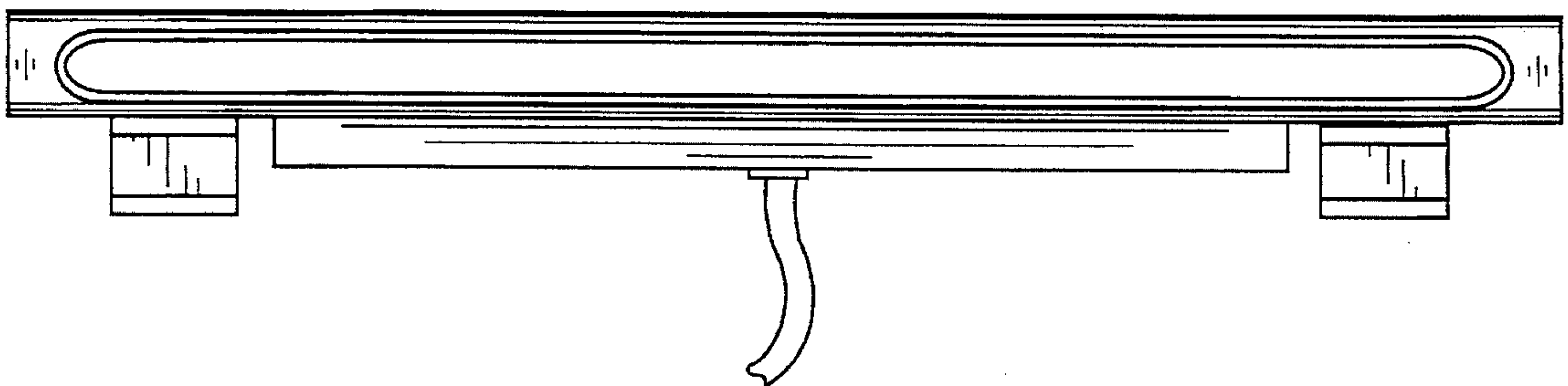
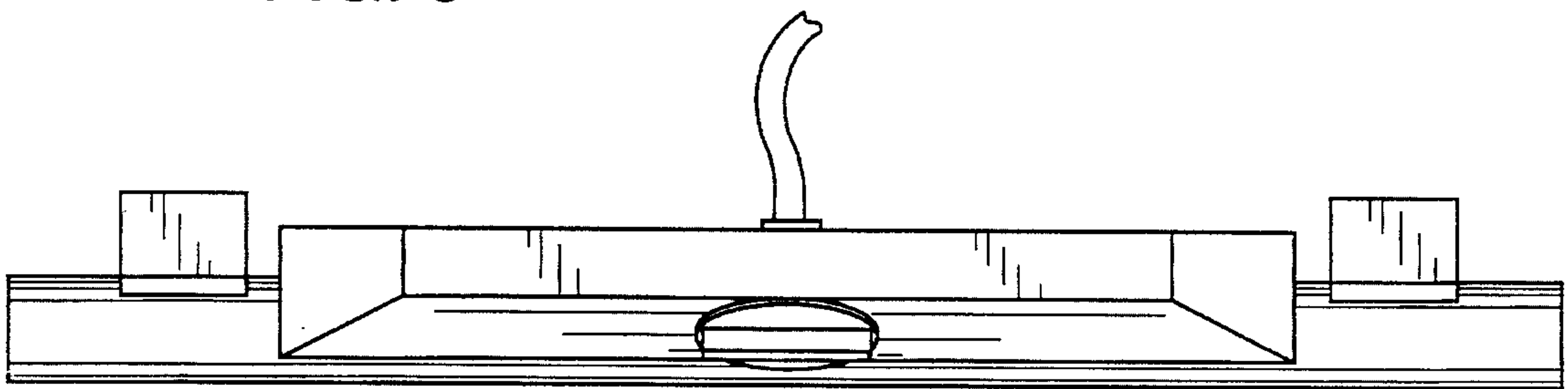


FIG. 6