



US00D372767S

# United States Patent [19] Borges

[11] Patent Number: Des. 372,767

[45] Date of Patent: \*\*Aug. 13, 1996

[54] AIR CONDITIONER CABINET FRONT

2,811,022 11/1953 Lathrop ..... 62/129  
4,667,483 5/1987 Hashimoto ..... 62/262

[75] Inventor: Marcos Borges, Sao Paulo, Brazil

[73] Assignee: Goodman Company, L.P., Houston, Tex.

[\*\*] Term: 14 Years

[21] Appl. No.: 38,521

[22] Filed: May 8, 1995

[52] U.S. Cl. .... D23/354; D23/351; D23/353

[58] Field of Search ..... D23/351, 353,  
D23/354; 62/262; 454/201, 202

[56] **References Cited**

U.S. PATENT DOCUMENTS

D. 173,472	11/1954	Budlong	.....	D62/4
D. 180,808	8/1957	Reinecke	.....	D62/4
D. 181,911	1/1958	Reinecke	.....	D62/4
D. 201,850	8/1965	Wagner et al.	.....	D62/4
D. 232,087	7/1974	Pink et al.	.....	D23/4
D. 310,410	9/1990	Lapychak et al.	.....	D23/354
D. 341,882	11/1993	Kroko et al.	.....	D23/351
D. 360,067	7/1995	McColgin et al.	.....	D23/353

Primary Examiner—Lisa P. Lichtenstein  
Attorney, Agent, or Firm—Ben D. Tobor

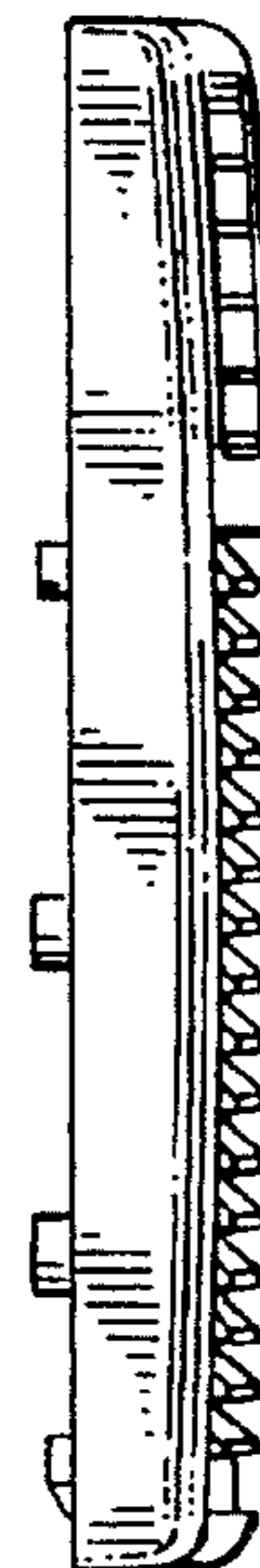
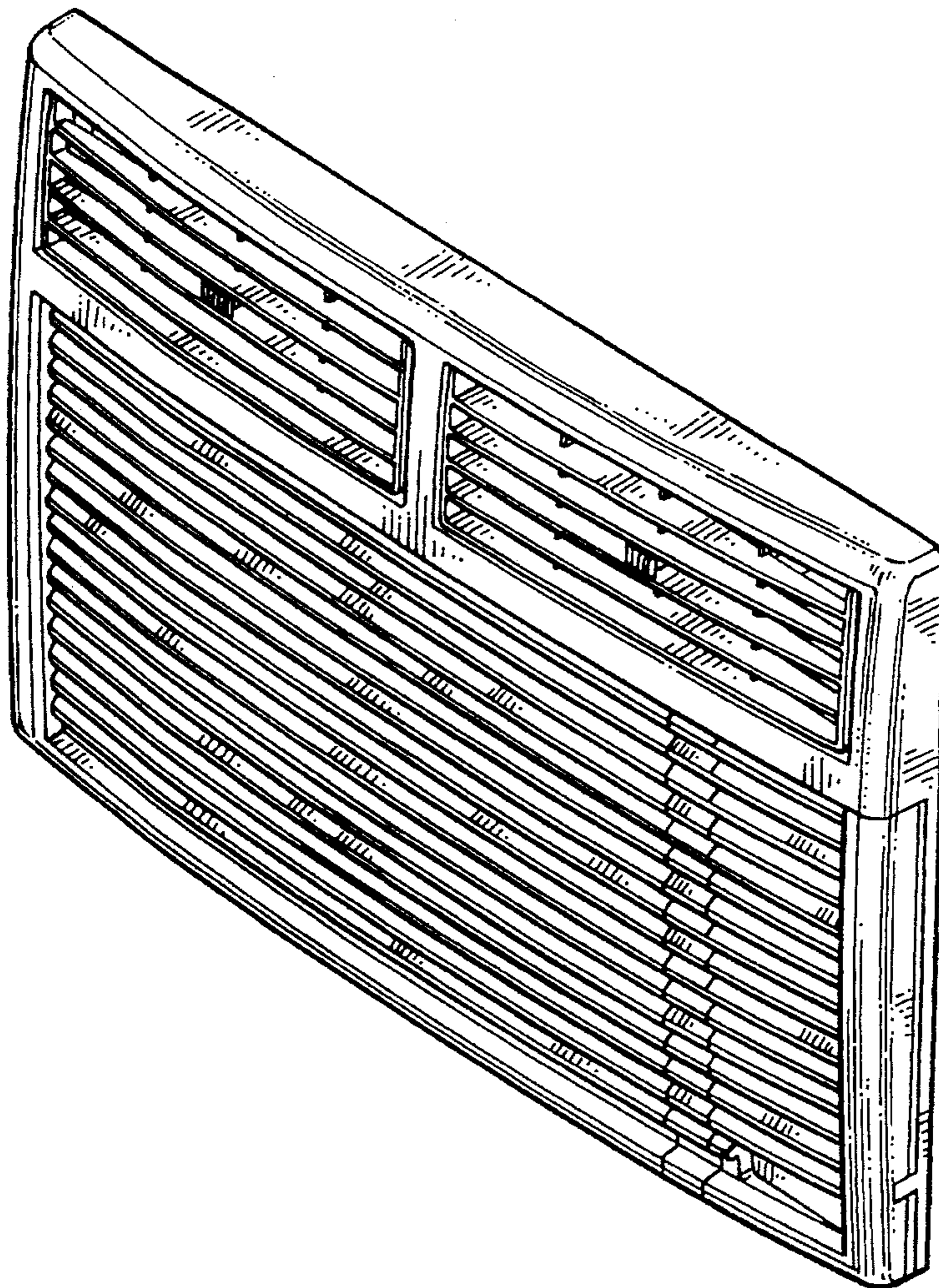
[57] **CLAIM**

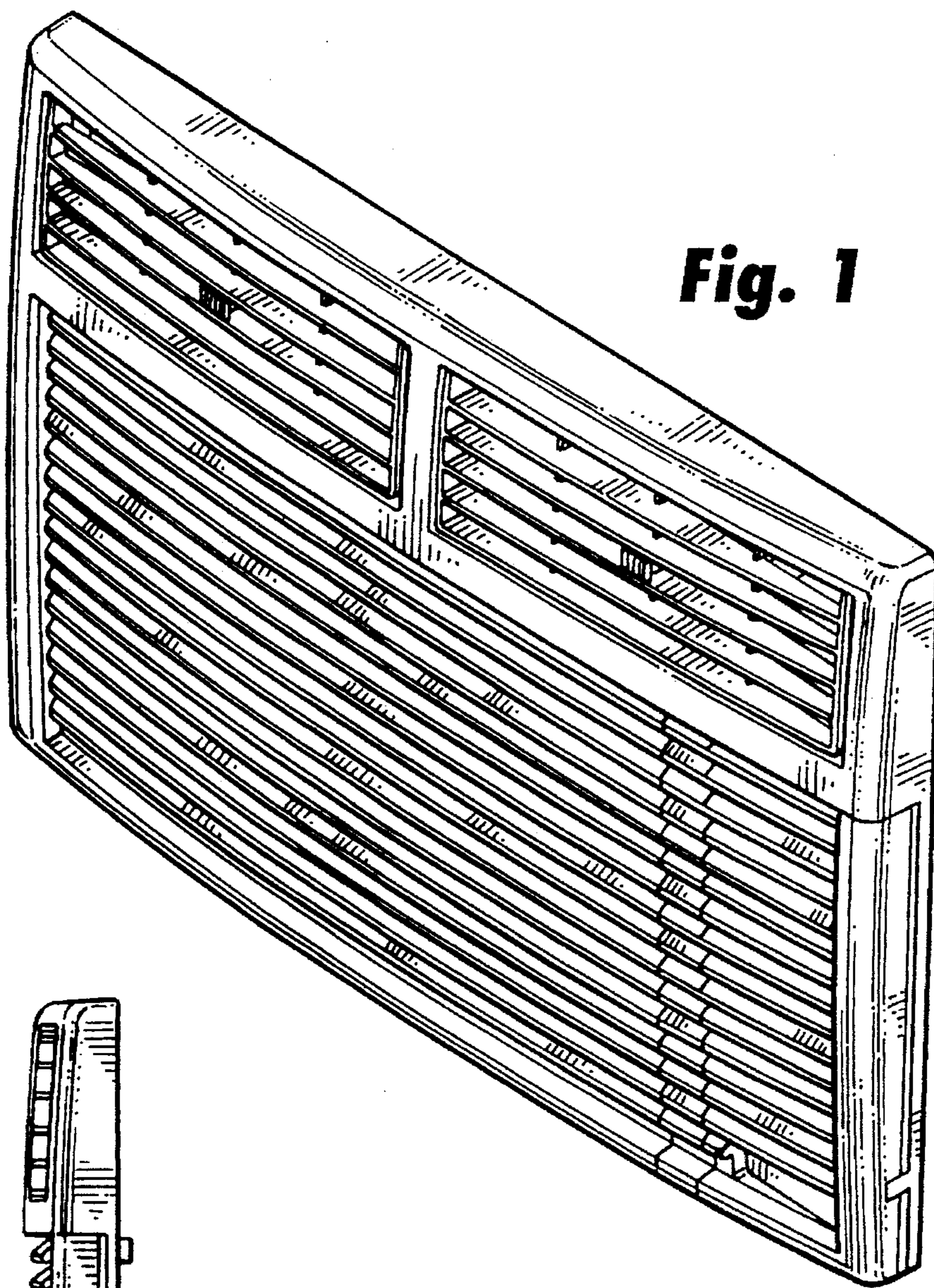
The ornamental design for an air conditioner cabinet front, as shown.

**DESCRIPTION**

FIG. 1 is a front perspective view of an air conditioner cabinet front showing my design;  
FIG. 2 is a right side elevational view of the air conditioner cabinet front of FIG. 1;  
FIG. 3 is a top plan view of the air conditioner cabinet front of FIG. 1;  
FIG. 4 is a rear elevational view of the air conditioner cabinet front of FIG. 1;  
FIG. 5 is a bottom plan view of the air conditioner cabinet front of FIG. 1; and,  
FIG. 6 is a left side elevational view of the room air conditioner cabinet front of FIG. 1.

1 Claim, 2 Drawing Sheets

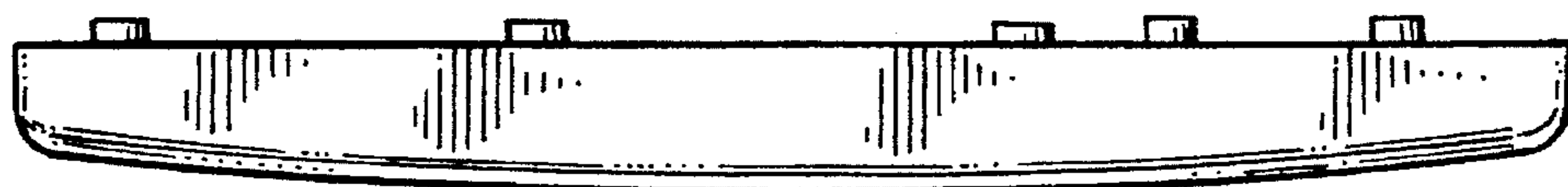




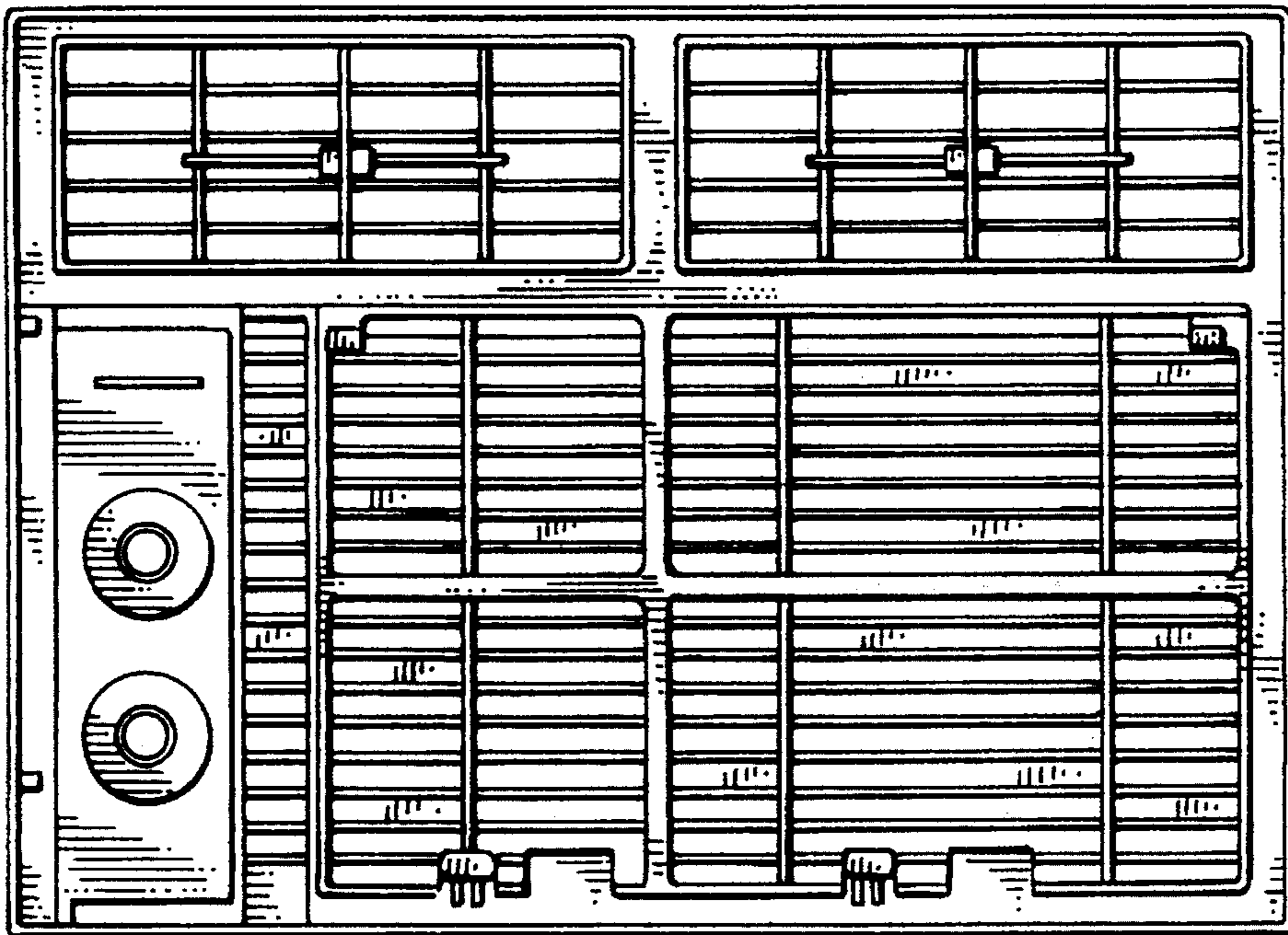
**Fig. 1**



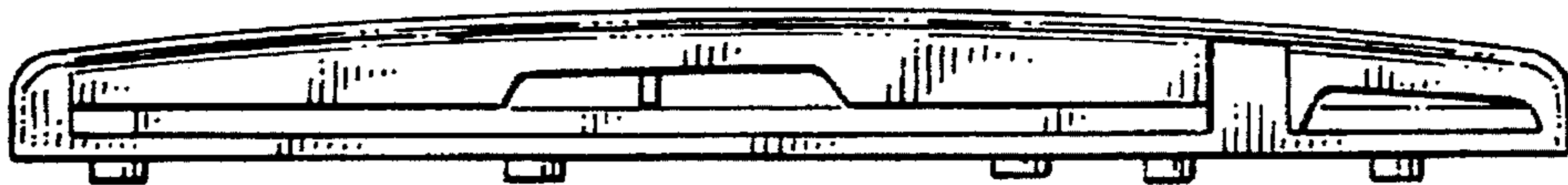
**Fig. 2**



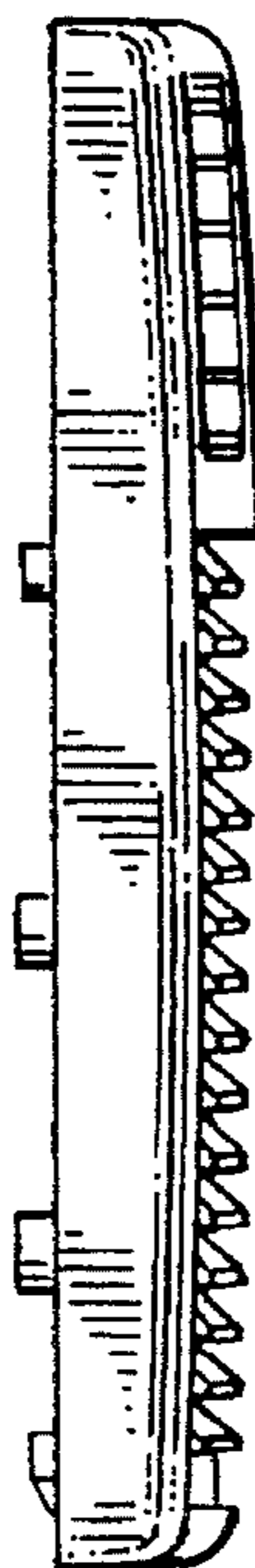
**Fig. 3**



**Fig. 4**



**Fig. 5**



**Fig. 6**