



US00D372765S

United States Patent [19]

Sisk

[11] Patent Number: Des. 372,765

[45] Date of Patent: **Aug. 13, 1996

[54] GASKET

[76] Inventor: David E. Sisk, 7353 Hillsboro Rd.,
Bonne Terre, Mo. 63628

[**] Term: 14 Years

[21] Appl. No.: 26,565

[22] Filed: Aug. 1, 1994

[52] U.S. Cl. D23/269

[58] Field of Search D23/259, 269;
D21/198; 277/165, 207 A, DIG. 2.3, 227;
285/231; D8/397

| | | |
|-----------|---------|-----------------|
| 3,233,861 | 2/1966 | Stillwagon . |
| 3,241,806 | 3/1966 | Snell . |
| 3,314,641 | 4/1967 | Overbaugh . |
| 3,537,683 | 11/1970 | Snell, Jr. . |
| 4,014,511 | 3/1977 | Uno . |
| 4,685,611 | 8/1987 | Scobie et al. . |
| 4,699,357 | 10/1987 | Sisk . |
| 4,822,001 | 4/1989 | Sisk . |
| 5,207,411 | 5/1993 | Sisk . |

Primary Examiner—Stella Reid
Assistant Examiner—E. Watterson
Attorney, Agent, or Firm—Paul M. Denk

[57] CLAIM

The ornamental design for the gasket, as shown and described.

[56] References Cited

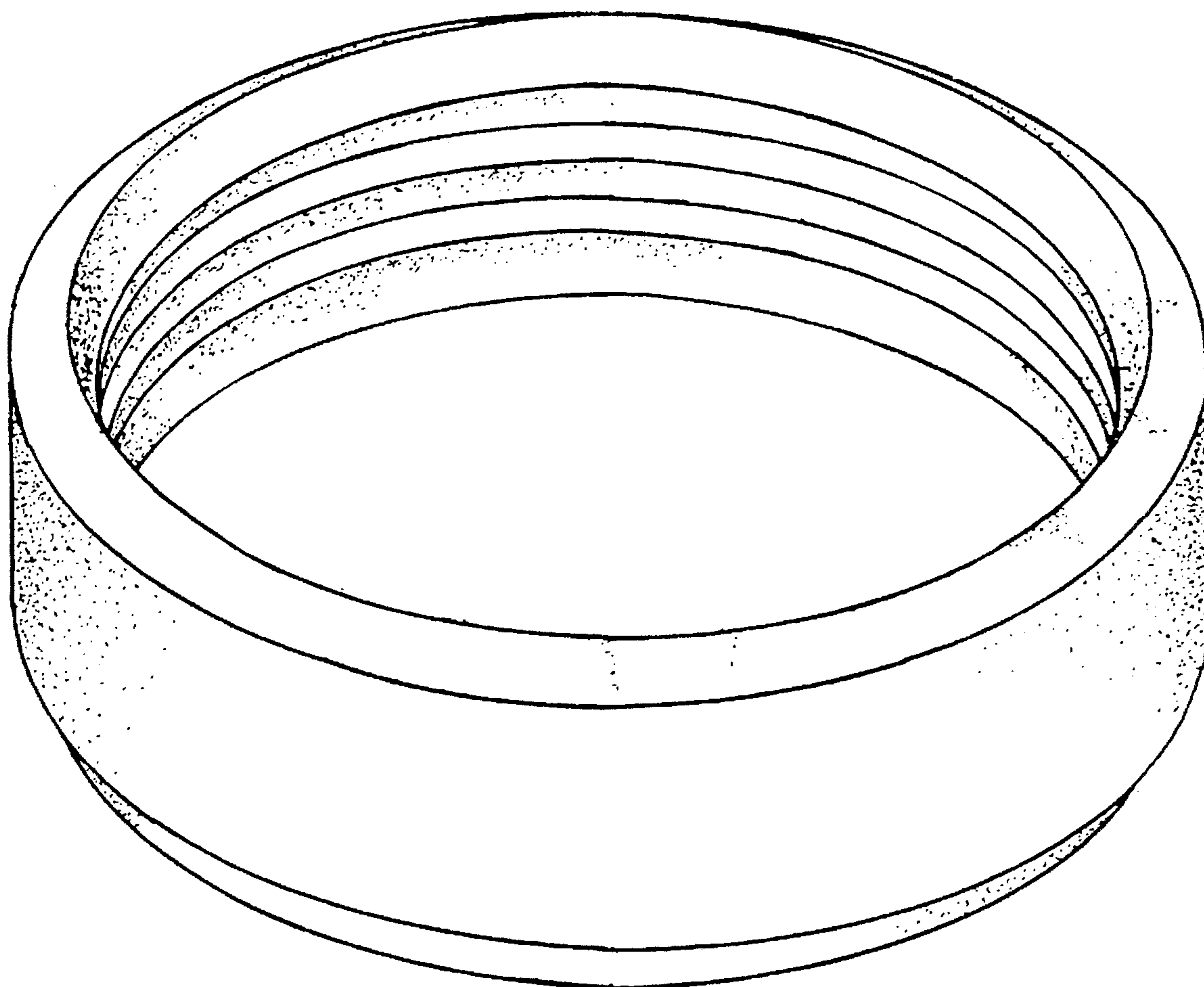
U.S. PATENT DOCUMENTS

| | | | |
|------------|---------|-----------------------|---------|
| D. 28,198 | 1/1898 | Armstrong et al. | D23/269 |
| D. 285,109 | 8/1986 | Jörmhagen | D23/269 |
| D. 288,902 | 3/1987 | Lewis | D8/397 |
| D. 311,131 | 10/1990 | Saito | D8/397 |
| D. 327,307 | 6/1992 | Mojden | D21/198 |
| 2,740,423 | 4/1956 | Stillwagon . | |
| 3,051,435 | 8/1962 | Ramsey . | |
| 3,100,500 | 8/1963 | Srillwagon . | |
| 3,129,920 | 4/1964 | Stillwagon . | |
| 3,143,132 | 8/1964 | Pangburn . | |

DESCRIPTION

FIG. 1 is an isometric view of the gasket of this invention; FIG. 2 is a top plan view, the bottom plan view being a mirror image thereof; FIG. 3 is a front view of the gasket, the back and side views being a mirror image thereof; and, FIG. 4 is a cross-sectional view taken along the line 4—4 of FIG. 2.

1 Claim, 1 Drawing Sheet



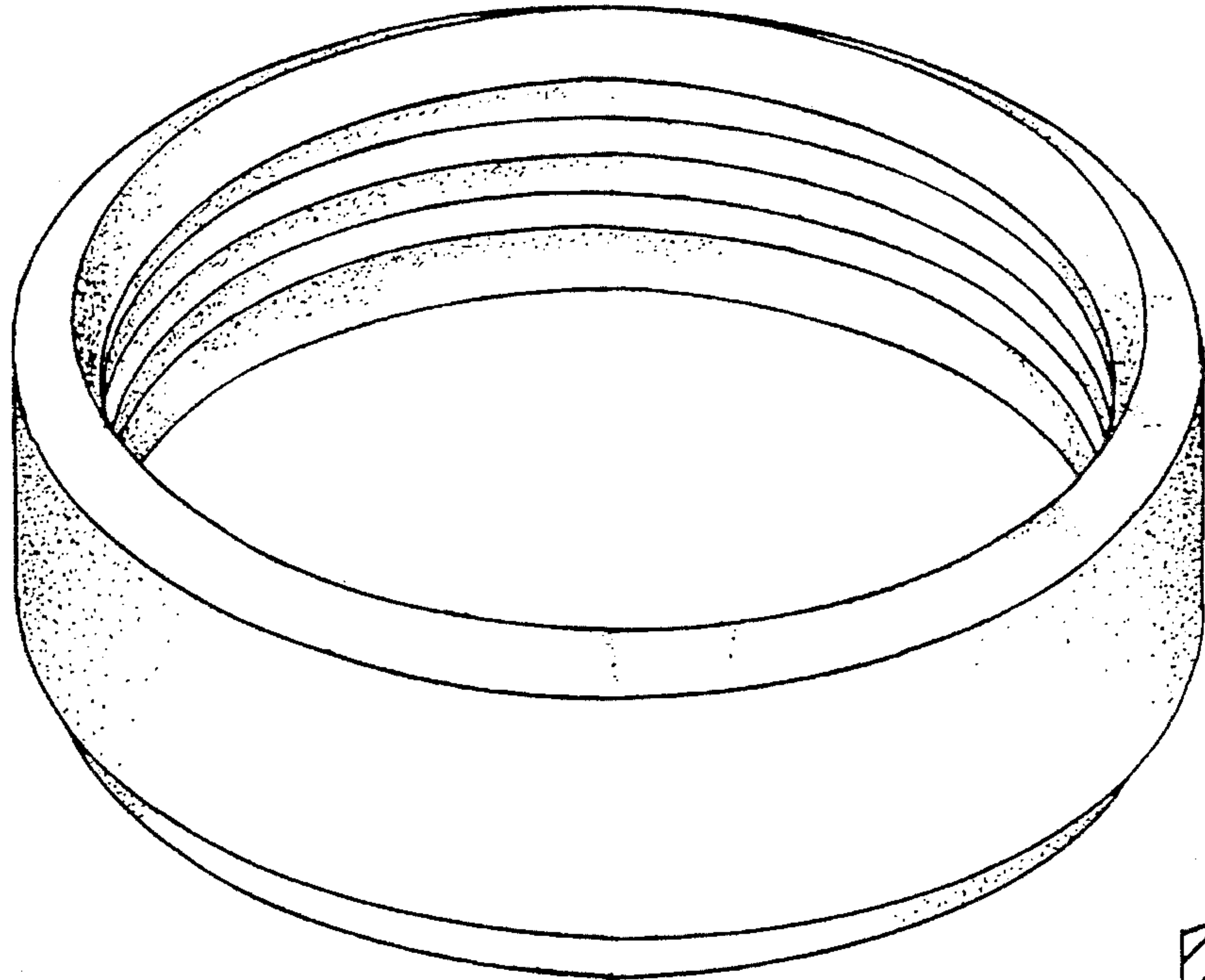


FIG. 1

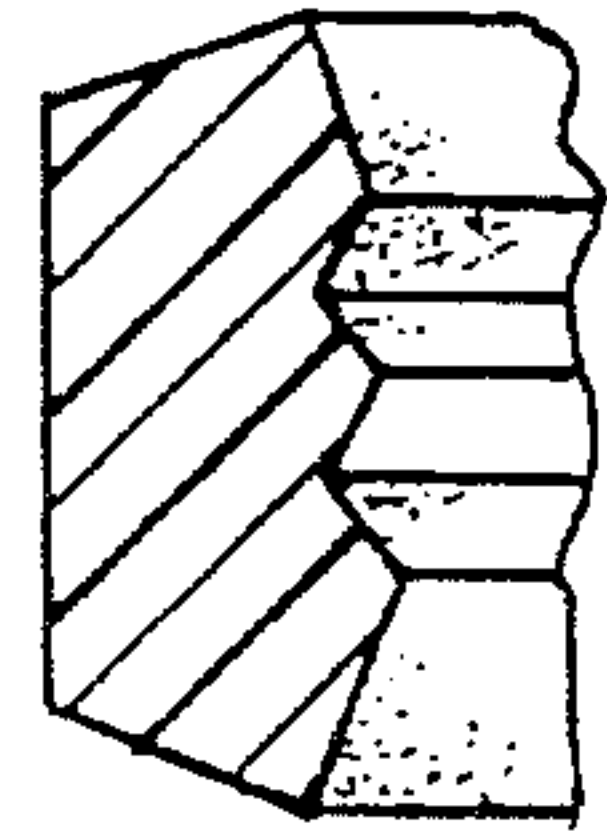


FIG. 4

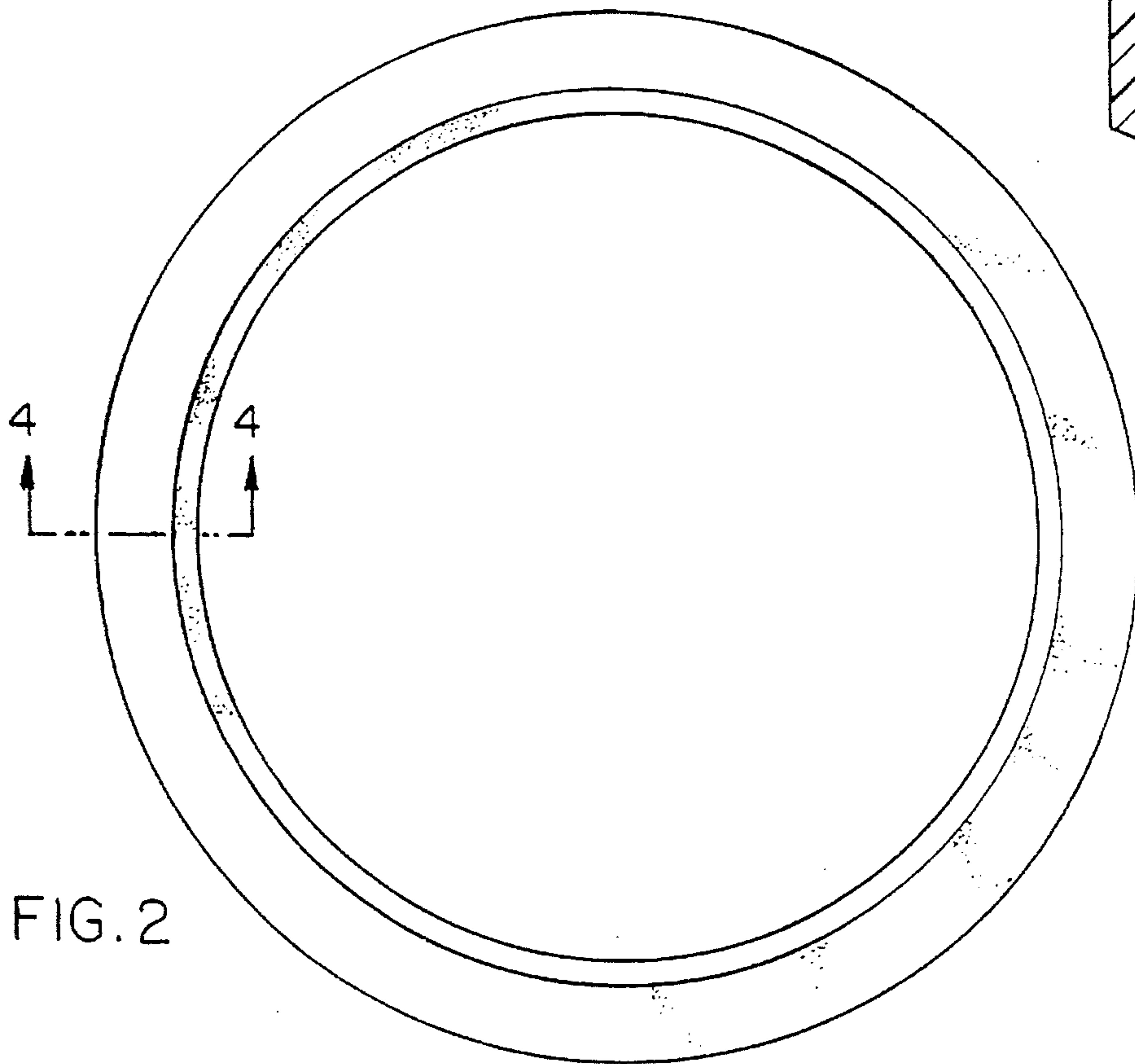


FIG. 2

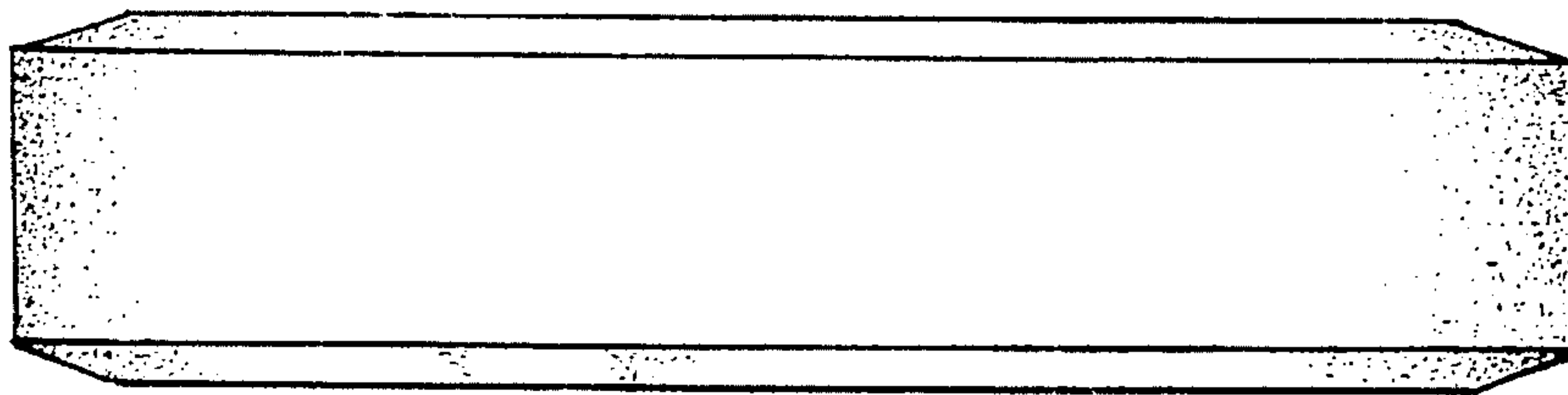


FIG. 3