



US00D372764S

United States Patent [19]

Dubin

[11] Patent Number: **Des. 372,764**

[45] Date of Patent: ****Aug. 13, 1996**

[54] **ESCUTCHEON**

D. 285,108 8/1986 Ogilvie D23/254
D. 355,021 1/1995 Schott et al. D23/254

[75] Inventor: **Alfred R. Dubin**, Los Angeles, Calif.

[73] Assignee: **Phylrich International**, Los Angeles, Calif.

Primary Examiner—Stella Reid
Assistant Examiner—E. Watterson
Attorney, Agent, or Firm—Blakely, Sokoloff, Taylor & Zafman

[**] Term: **14 Years**

[57] **CLAIM**

[21] Appl. No.: **34,959**

The ornamental design for an escutcheon, as shown.

[22] Filed: **Feb. 16, 1995**

DESCRIPTION

[52] U.S. Cl. **D23/254; D23/252**

[58] **Field of Search** D23/238-243,
D23/249-254; D8/308, 310; 251/291, 292;
4/675-678; 137/801; 16/110 R, 111 R,
114 R, DIG. 24, DIG. 30

FIG. 1 is a top perspective view of an escutcheon, the broken lines shown are for illustrative purposes only and form no part of the claimed design;

FIG. 2 is a top plan view thereof;

FIG. 3 is a side elevational view, all other sides being a mirror image thereof;

FIG. 4 is a bottom plan view thereof; and,

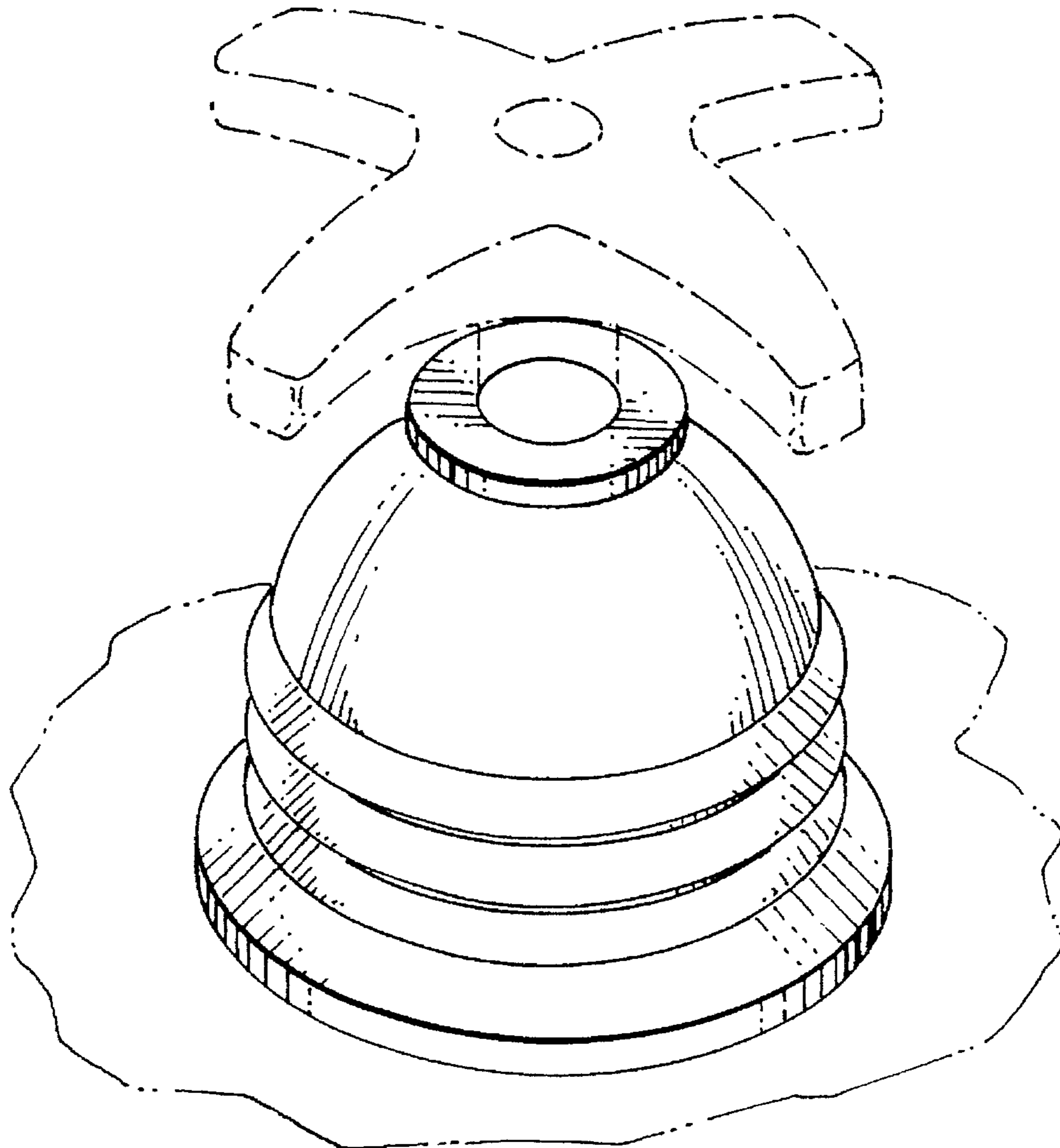
FIG. 5 is a cross-sectional view, taken along line 5-5 of FIG. 2.

[56] **References Cited**

U.S. PATENT DOCUMENTS

D. 258,520 3/1981 Thenglot D23/242
D. 274,351 6/1984 Niemoun D23/250
D. 276,064 10/1984 Stairs, Jr. D8/310 X

1 Claim, 1 Drawing Sheet



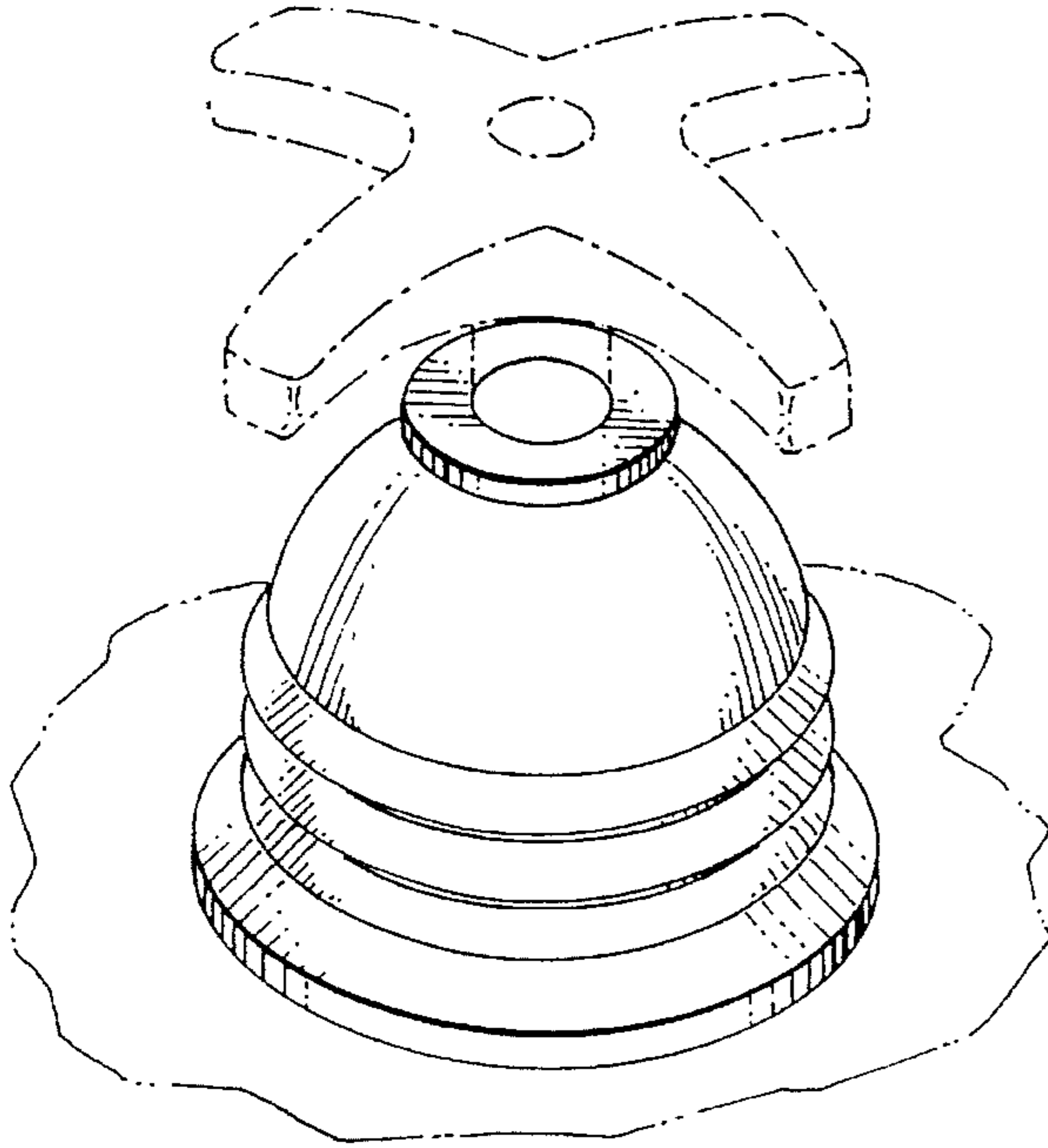


FIG. 1

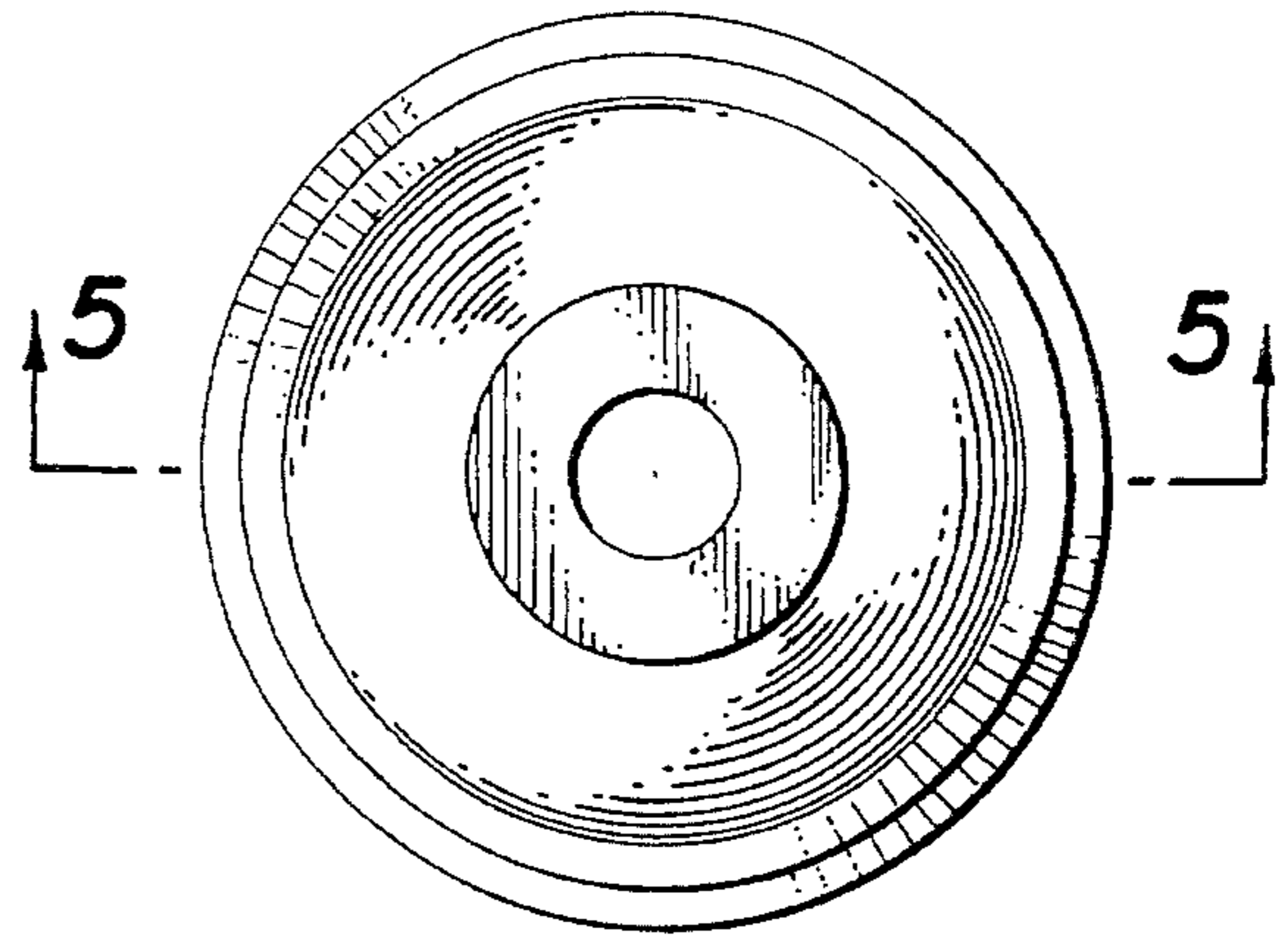


FIG. 2

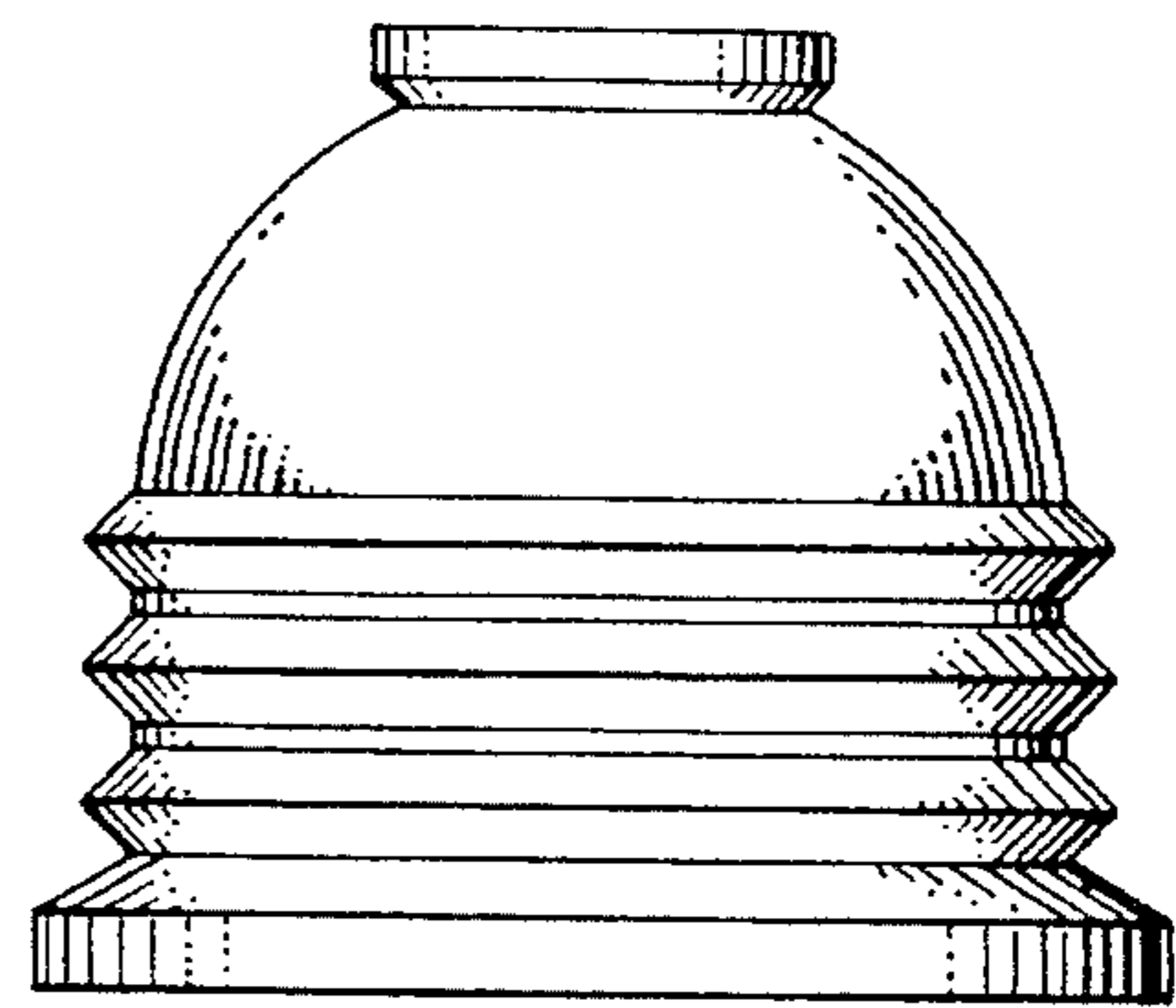


FIG. 3

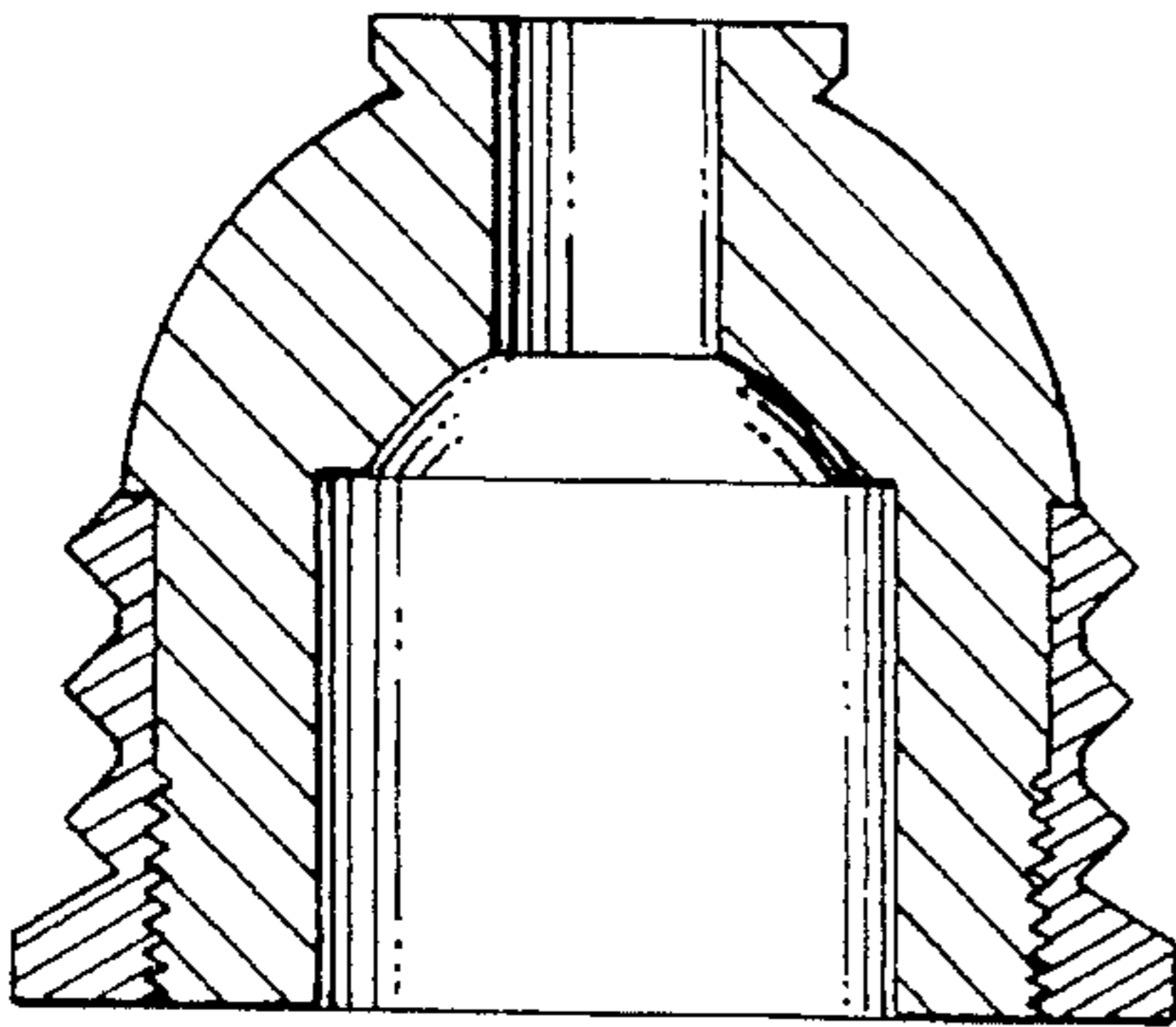


FIG. 5

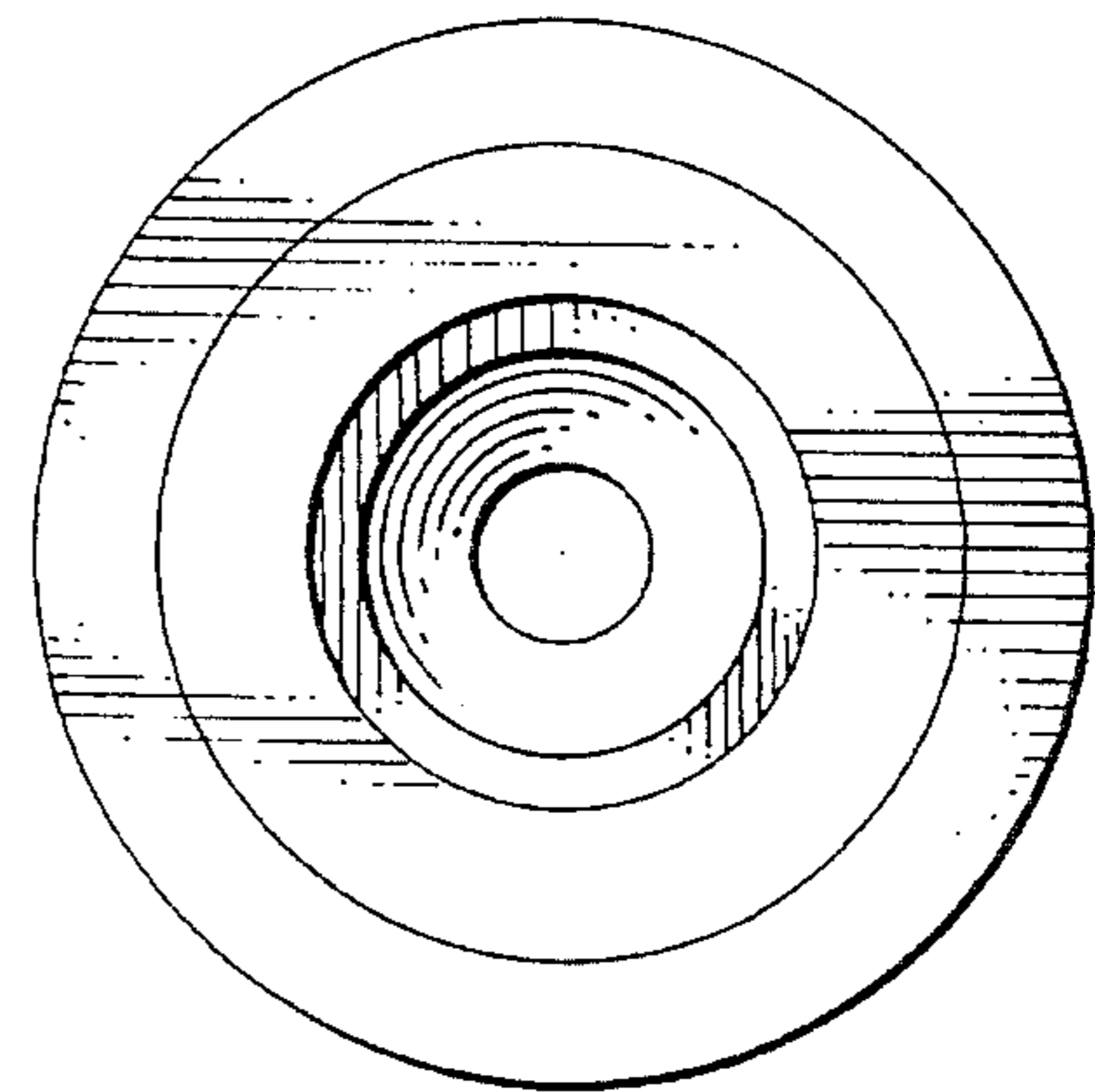


FIG. 4