



US00D372763S

# United States Patent [19] Moon

[11] Patent Number: **Des. 372,763**

[45] Date of Patent: **\*\*Aug. 13, 1996**

[54] **FAUCET BODY**

4,552,171 11/1985 Farrell et al. .... 4/677 R  
5,031,657 7/1991 Stoires ..... 4/677 X

[75] Inventor: **In-Ho Moon**, Seoul, Rep. of Korea

### FOREIGN PATENT DOCUMENTS

[73] Assignee: **American Standard Inc.**, Piscataway, N.J.

762474 5/1989 Japan .  
767600 8/1989 Japan .  
803289 2/1990 Japan .

[\*\*] Term: **14 Years**

### OTHER PUBLICATIONS

[21] Appl. No.: **39,457**

San-Ei Catalog No. 38, 1988/1989.

[22] Filed: **May 22, 1995**

Toto Brochure No. 334, Jun. 1987.

Toto Brochure, 88/11.

### Related U.S. Application Data

INAX Brochure, 1985-1986.

Toto Brochure '90/7.

[63] Continuation of Ser. No. 18,869, Feb. 17, 1994, abandoned.

Peerless Catalog, Model 8620 (1984).

Moen "Enduring Elegance" 1981 brochure showing model 4220, 4320, 4695 and 4625.

New Valley Faucets catalog, p. 4 (1985).

### [30] Foreign Application Priority Data

Aug. 18, 1993 [KR] Rep. of Korea ..... 1993-16695

[52] U.S. Cl. .... **D23/238**

[58] Field of Search ..... D23/238-241,  
D23/255-258; 4/675-678; 137/801

Primary Examiner—Stella Reid

Assistant Examiner—Eric Watterson

Attorney, Agent, or Firm—Elaine Brenner Robinson; Ann M. Knab

### [56] References Cited

#### U.S. PATENT DOCUMENTS

D. 193,757 10/1962 Armstrong ..... D23/238  
D. 193,922 10/1962 Ross .  
D. 200,390 2/1965 Statt et al. .  
D. 200,754 3/1965 Landell .  
D. 203,324 12/1965 Landell ..... D23/241  
D. 204,441 4/1966 Harvey .  
D. 219,780 1/1971 Niemann ..... D23/238  
D. 229,495 12/1973 Loudell ..... D23/241  
D. 258,518 3/1981 Thevenot ..... D23/23  
D. 260,677 9/1981 Thevenot ..... D23/22  
D. 293,816 1/1988 Bergann et al. .... D23/238  
D. 310,257 8/1990 Spangler ..... D23/238  
D. 321,397 11/1991 Dannenberg ..... D23/238  
D. 323,877 2/1992 Haug et al. .... D23/238  
D. 348,508 7/1994 Yost ..... D23/238  
D. 348,923 7/1994 Yost ..... D23/238  
2,954,798 10/1960 Mustee ..... 127/597

### [57] CLAIM

The ornamental design for a faucet body, as shown and described.

### DESCRIPTION

FIG. 1 is a perspective view of a faucet body showing my new design;

FIG. 2 is a front view thereof;

FIG. 3 is a rear view thereof;

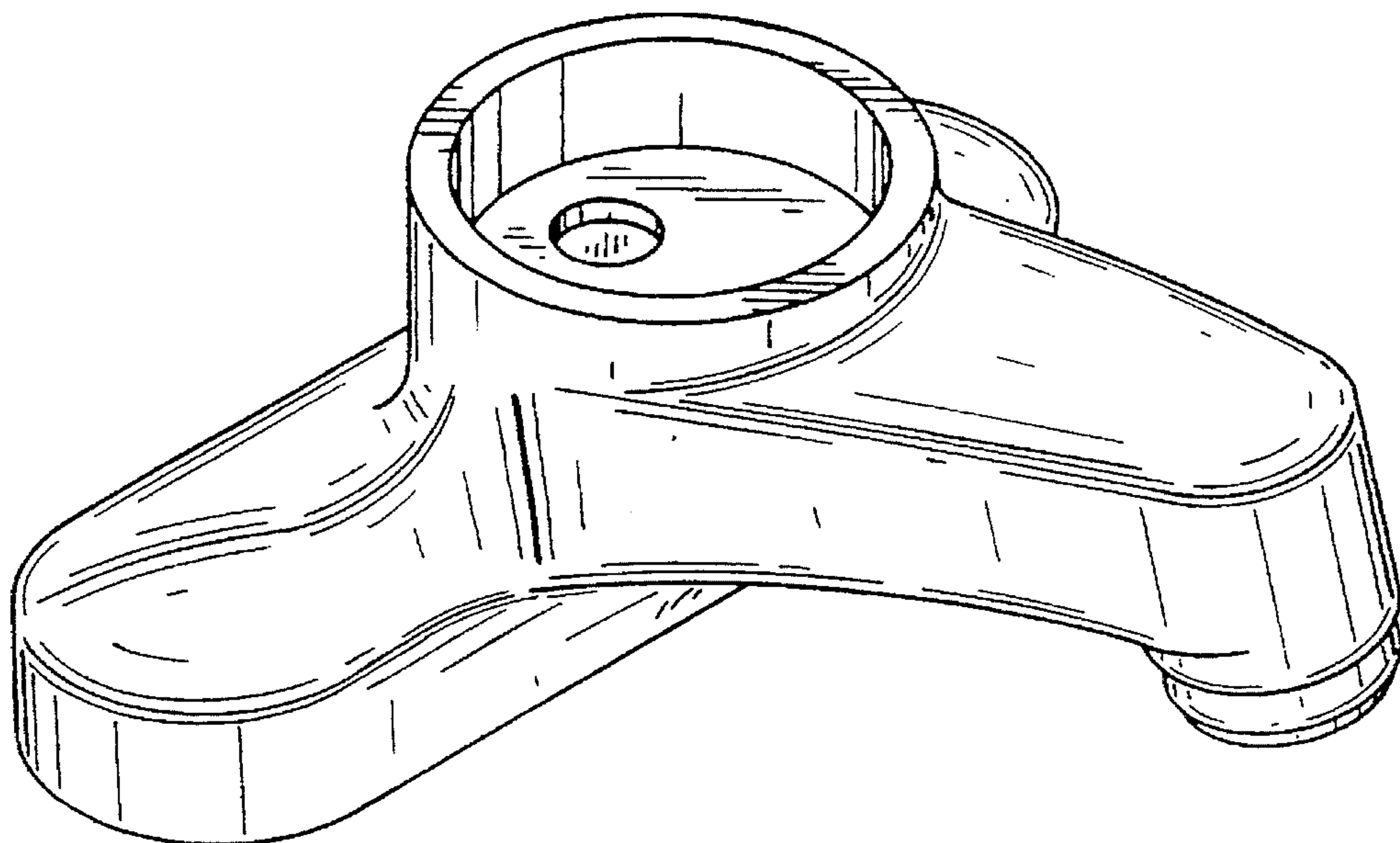
FIG. 4 is a left side view thereof, the right side view being a mirror image of the left side;

FIG. 5 is a top plan view thereof;

FIG. 6 is a bottom plan view thereof; and,

FIG. 7 is a sectional view taken from line 7-7 of FIG. 2.

**1 Claim, 4 Drawing Sheets**



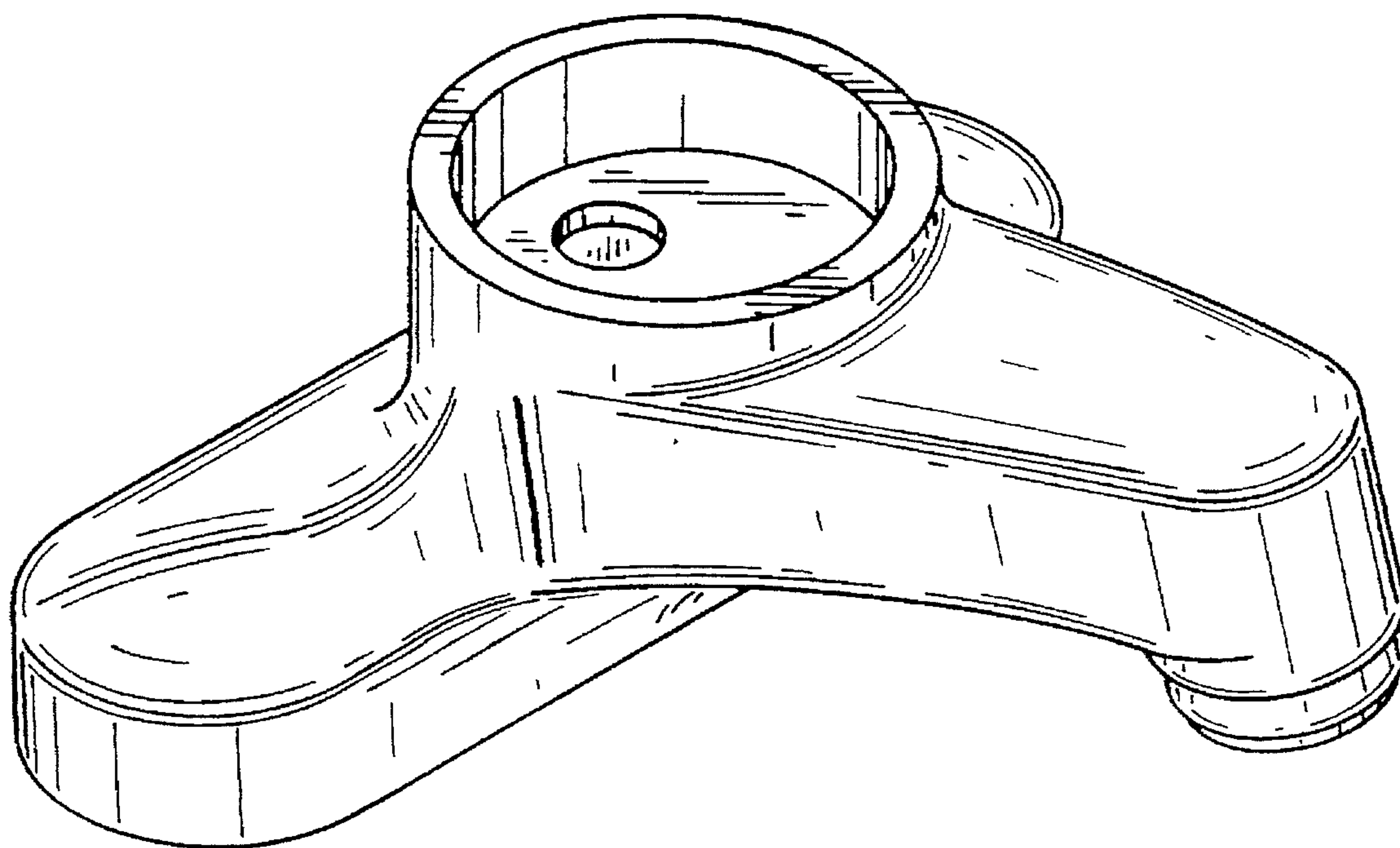
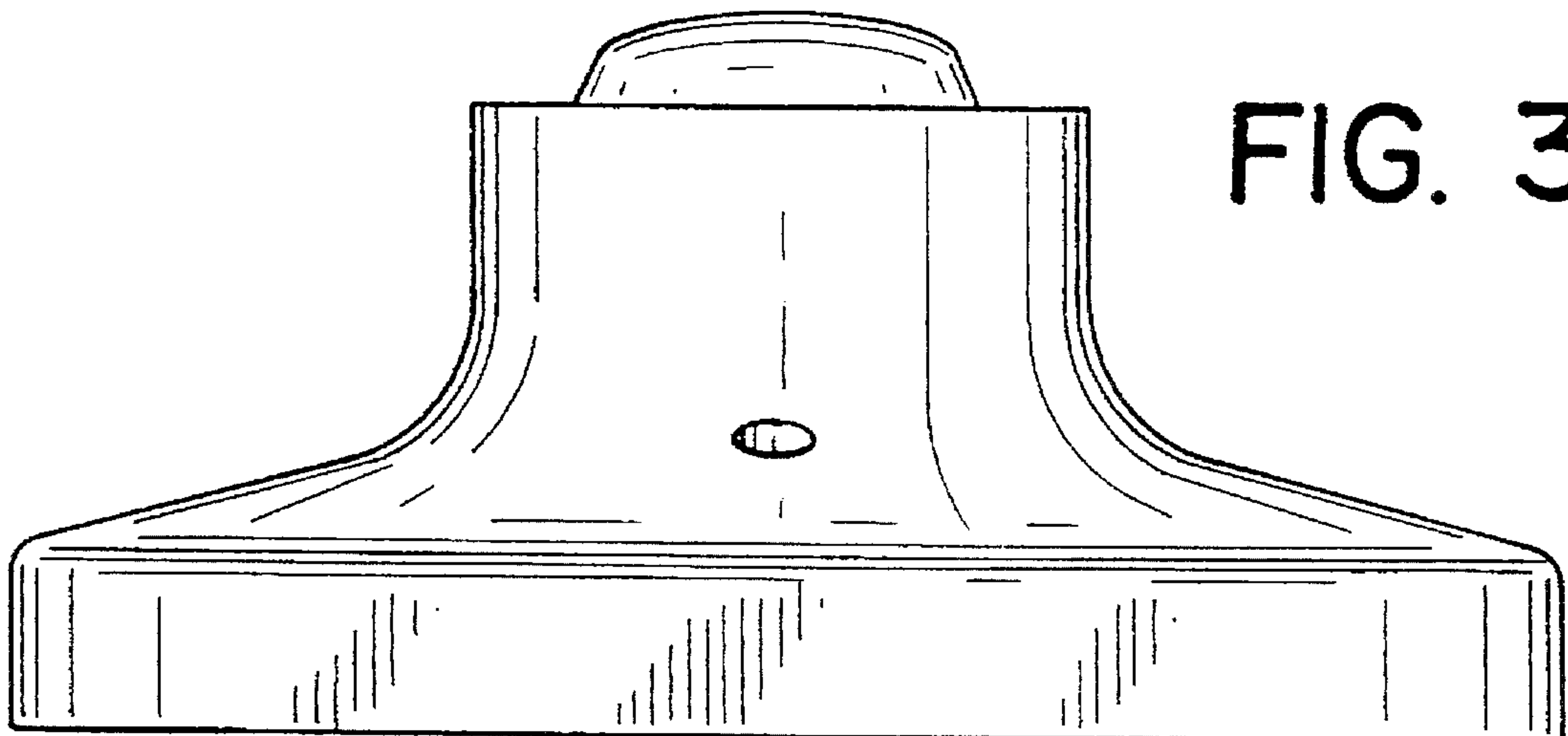
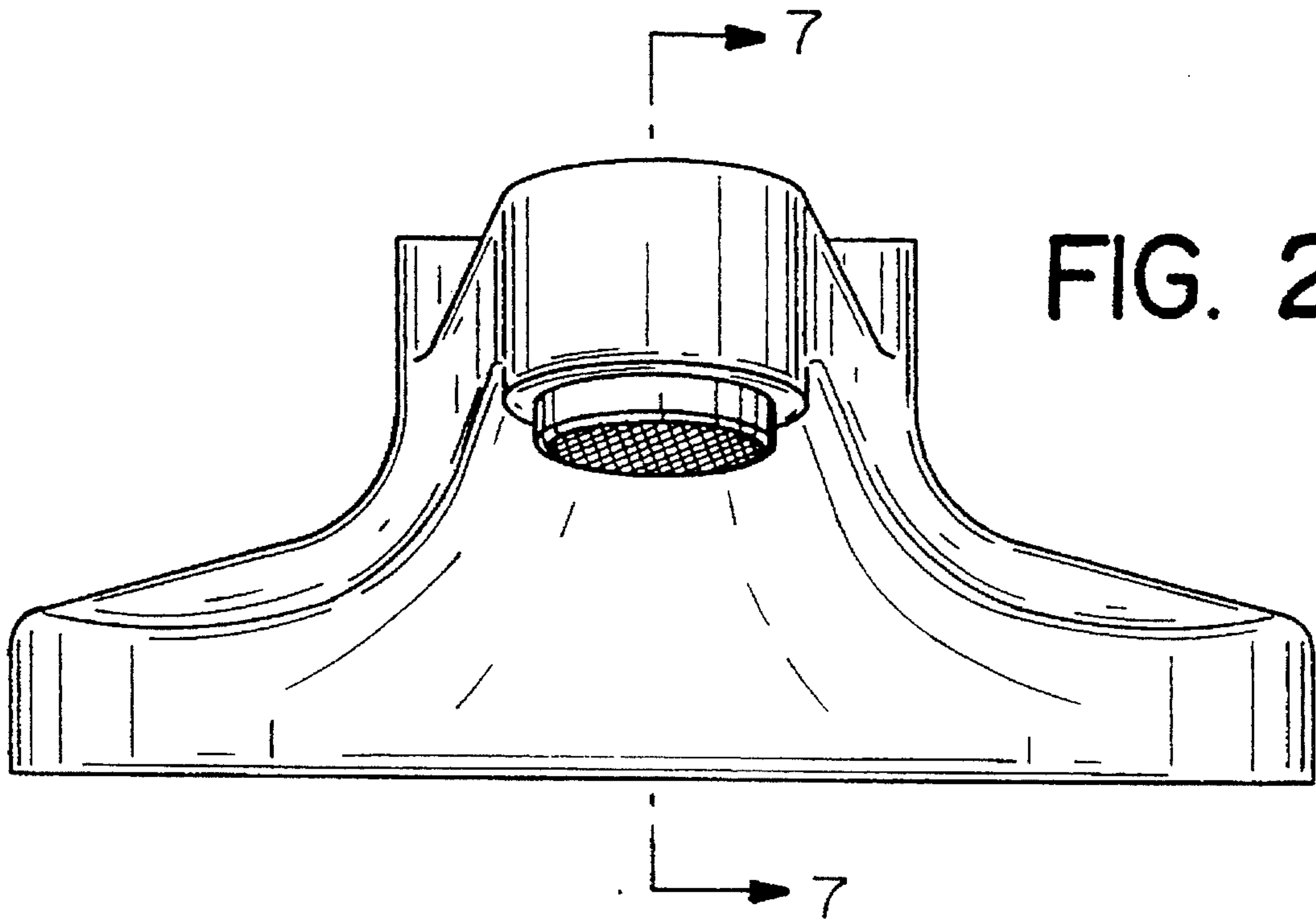


FIG. 1



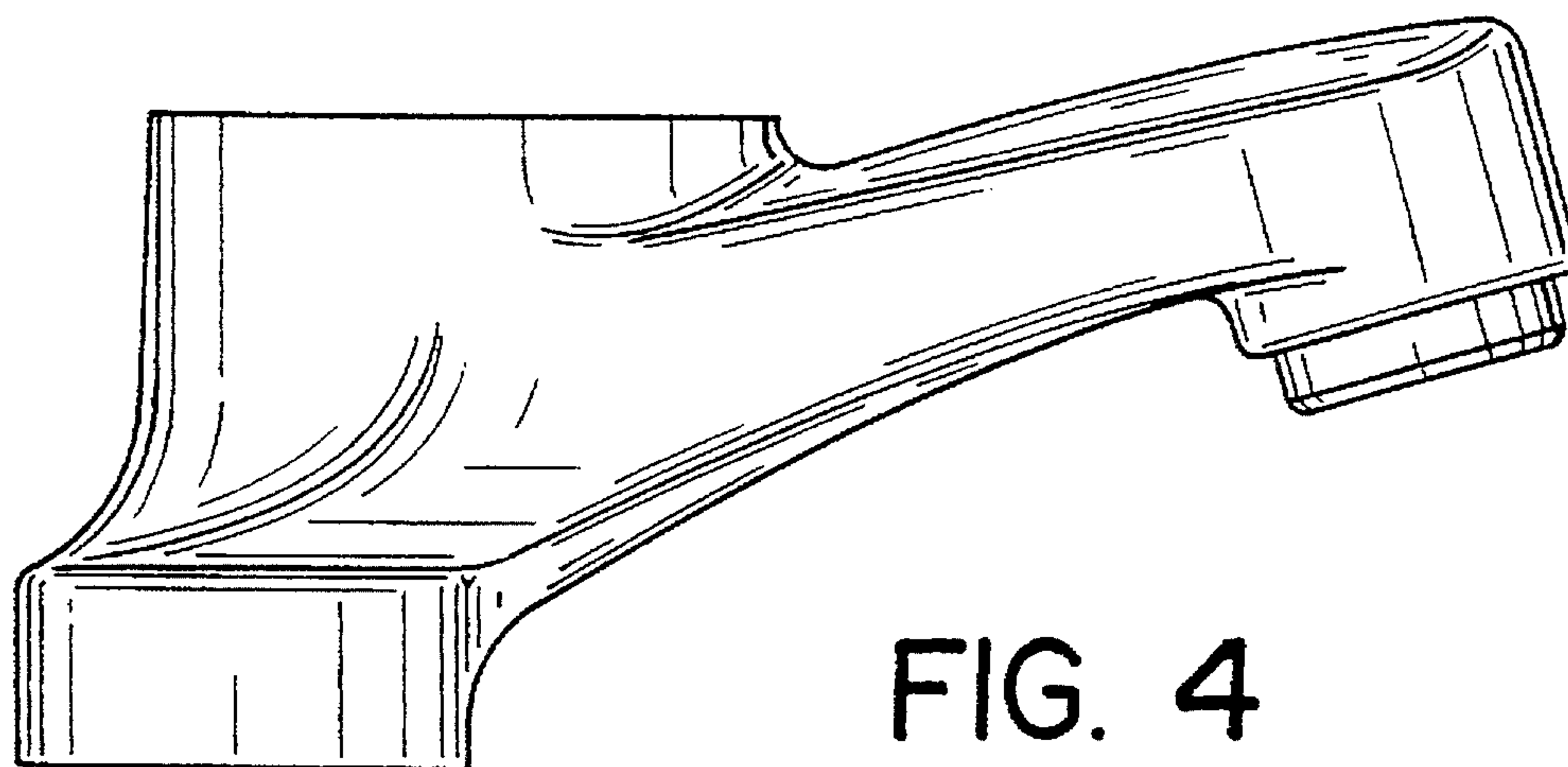


FIG. 4

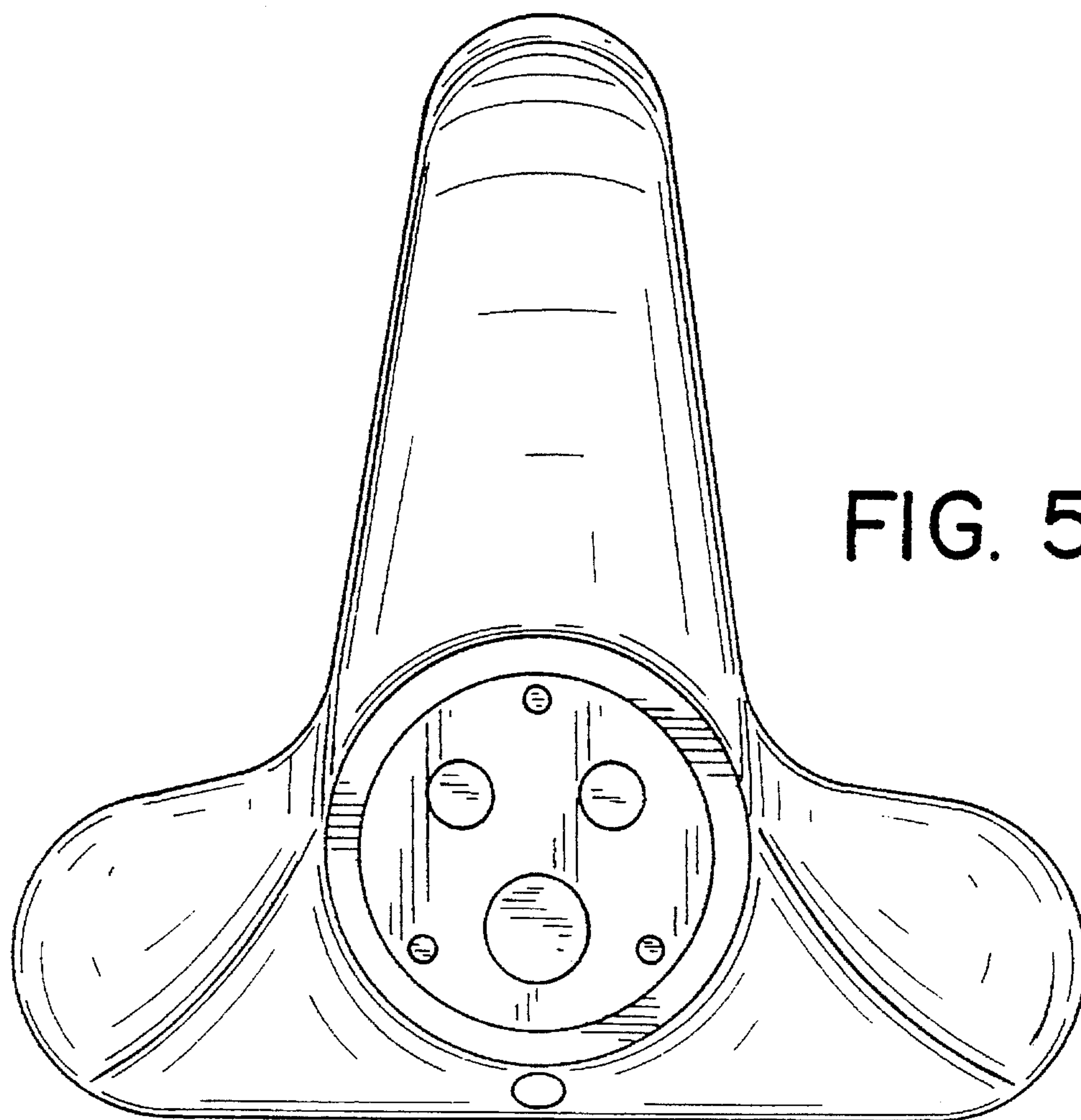


FIG. 5



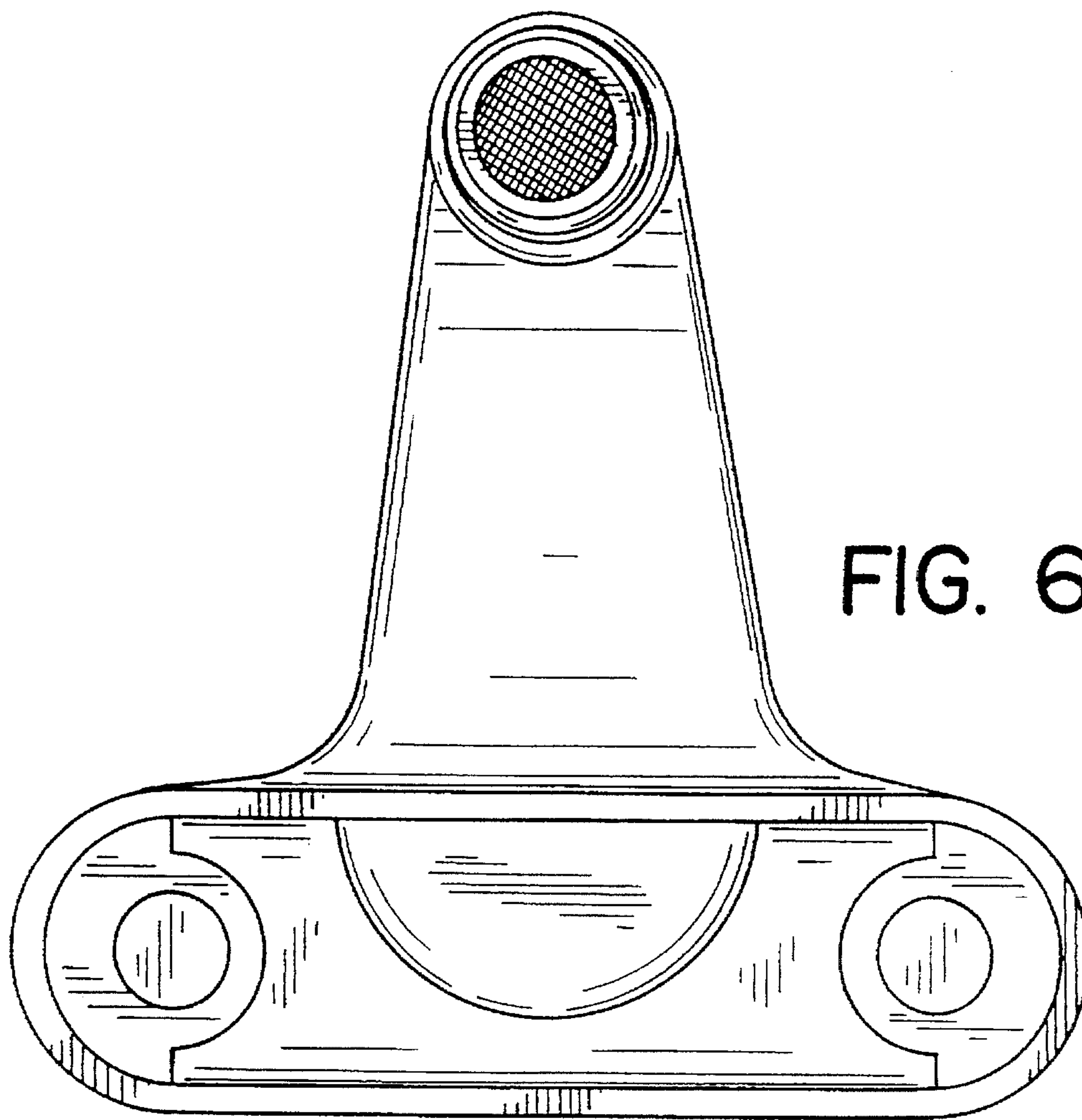


FIG. 6

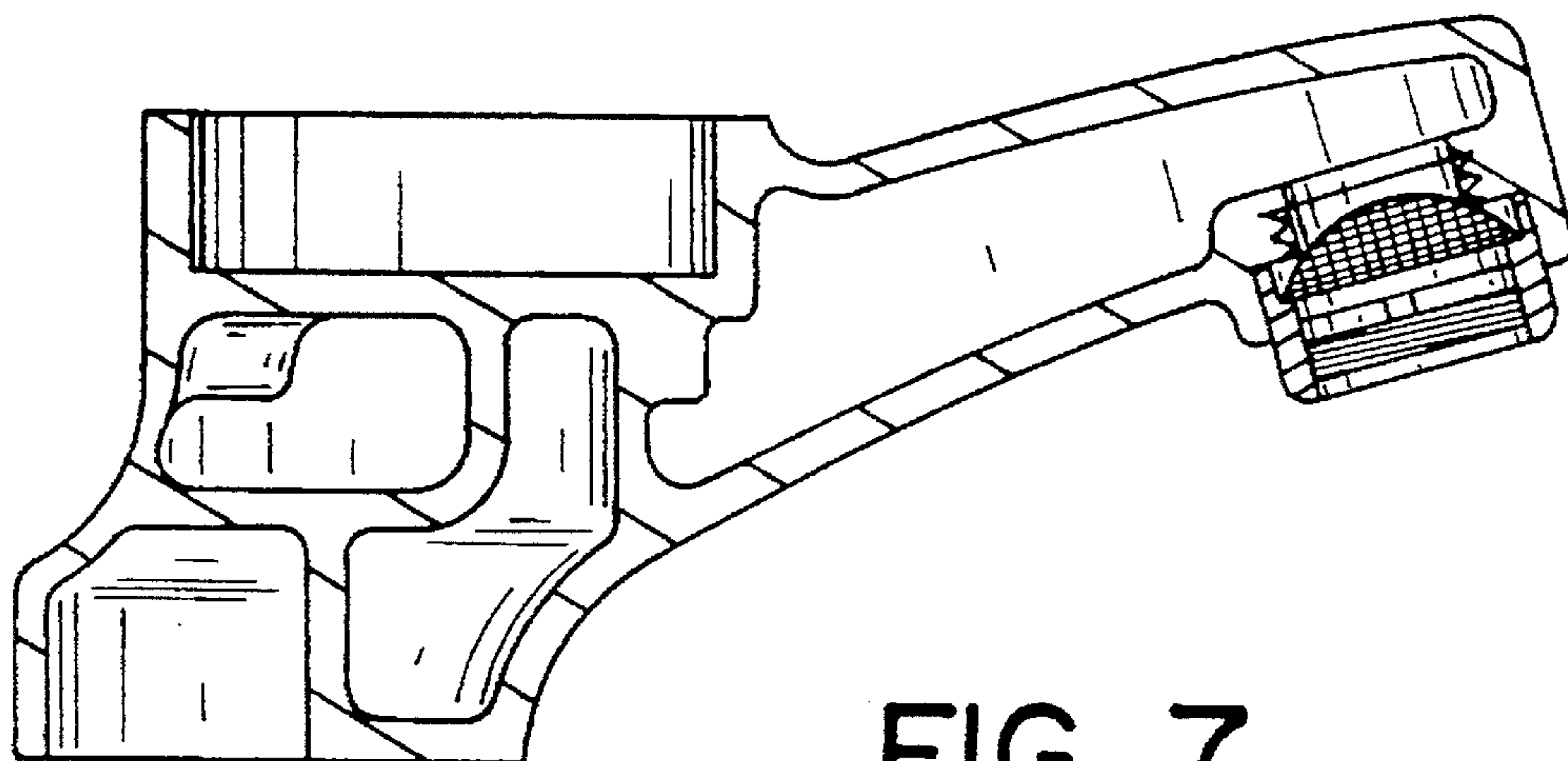


FIG. 7