



US00D372762S

United States Patent [19]

Braswell

[11] Patent Number: **Des. 372,762**

[45] Date of Patent: ****Aug. 13, 1996**

[54] **TOILETRY DISPENSER FOR A SHOWER HEAD**

5,454,516 10/1995 Smyrl 239/310

[76] Inventor: **David Braswell**, 121 Ocean Park La., Cape Canaveral, Fla. 32920

Primary Examiner—A. Hugo Word
Assistant Examiner—Robin V. Taylor
Attorney, Agent, or Firm—James H. Beusse

[**] Term: **14 Years**

[57] **CLAIM**

[21] Appl. No.: **42,788**

The ornamental design for an toiletry dispenser for a shower head, as shown and described.

[22] Filed: **Aug. 17, 1995**

DESCRIPTION

[52] U.S. Cl. **D23/228; D23/213**

[58] Field of Search D23/213, 223-230; 239/394, 415, 460, 462, 525-528

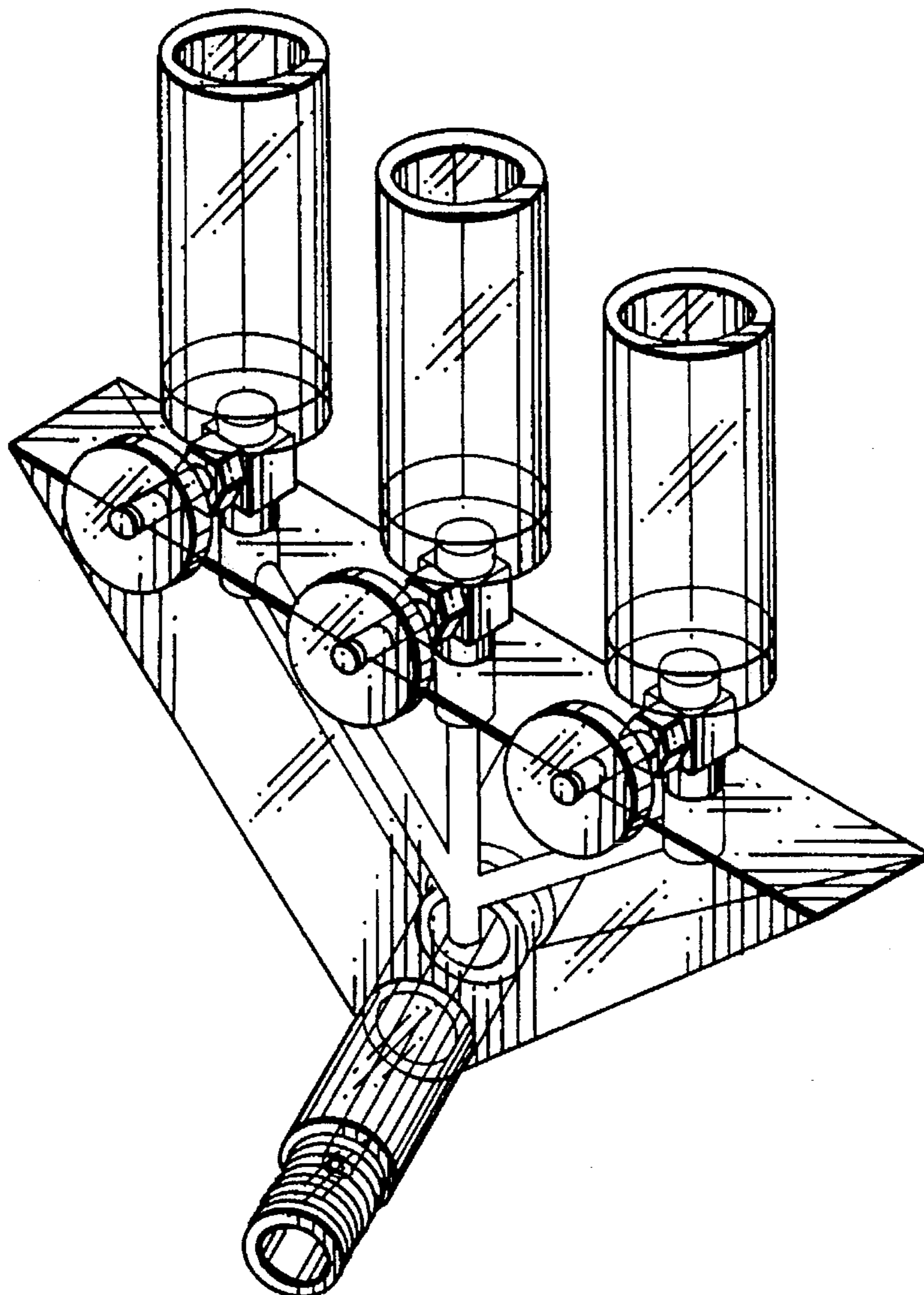
FIG. 1 is a front perspective view of my ornamental design for a shower;
FIG. 2 is a front elevation view of the design of FIG. 1;
FIG. 3 is a side elevation view of the design in FIG. 1, the other side being a mirror image;
FIG. 4 is a rear elevation view of the design of FIG. 1;
FIG. 5 is a bottom plan view of the design of FIG. 1; and,
FIG. 6 is a top plan view of the design of FIG. 1.

[56] **References Cited**

U.S. PATENT DOCUMENTS

D. 314,038	1/1991	Hardy	D23/228
D. 329,892	9/1992	Brister	D23/228
4,200,206	4/1980	Chase et al.	239/317
4,956,883	9/1990	Lane	239/310

1 Claim, 1 Drawing Sheet



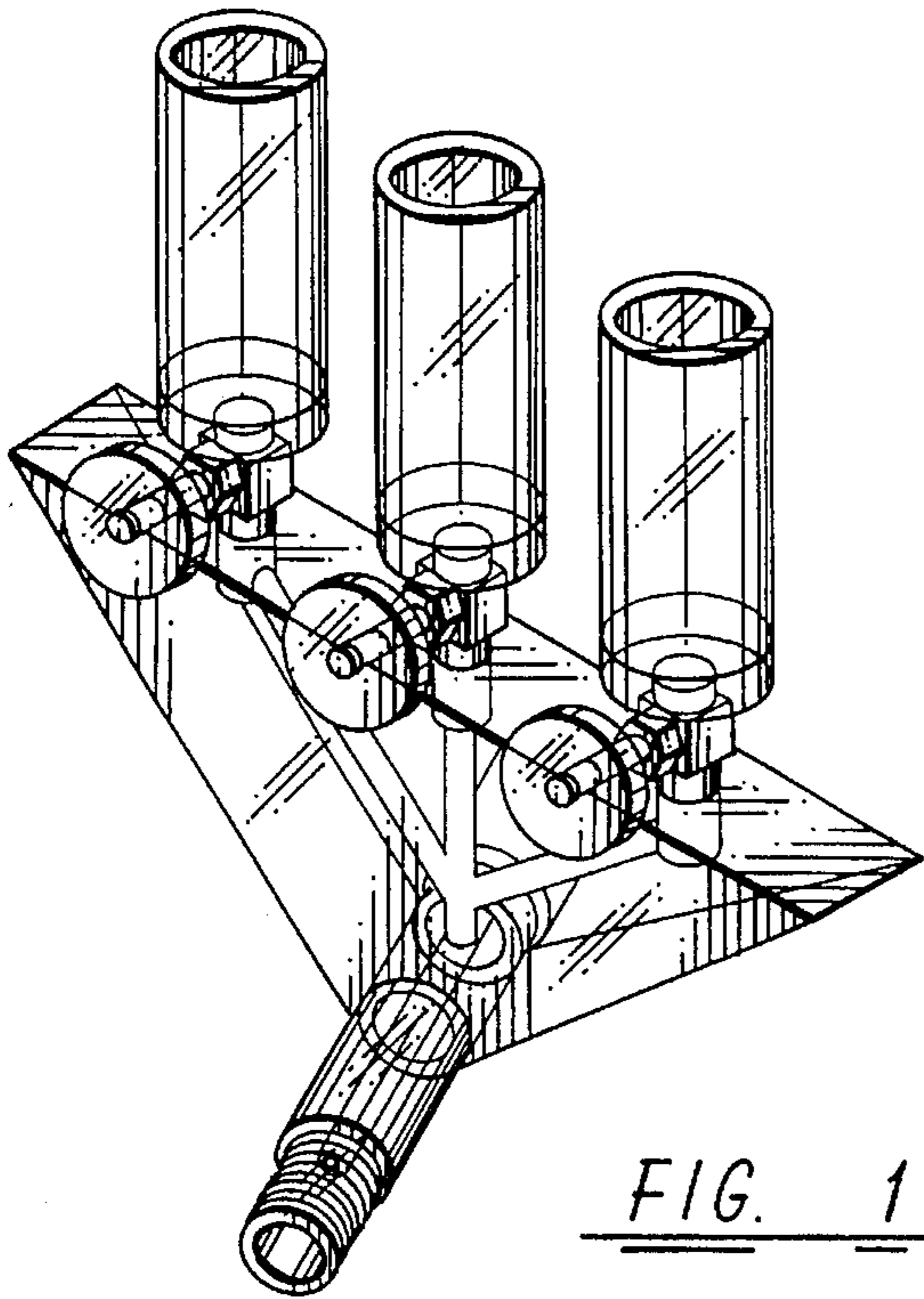


FIG. 1

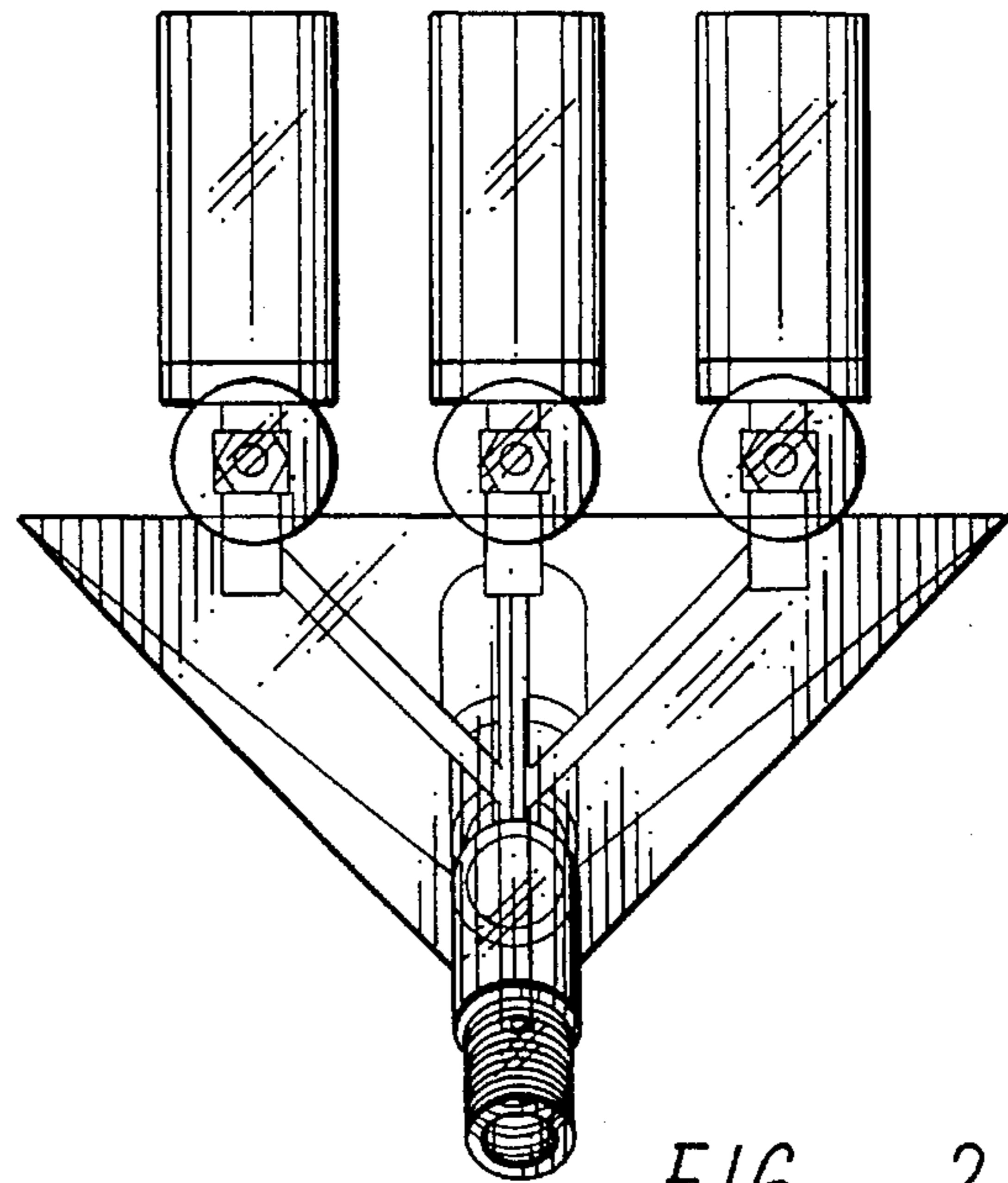


FIG. 2

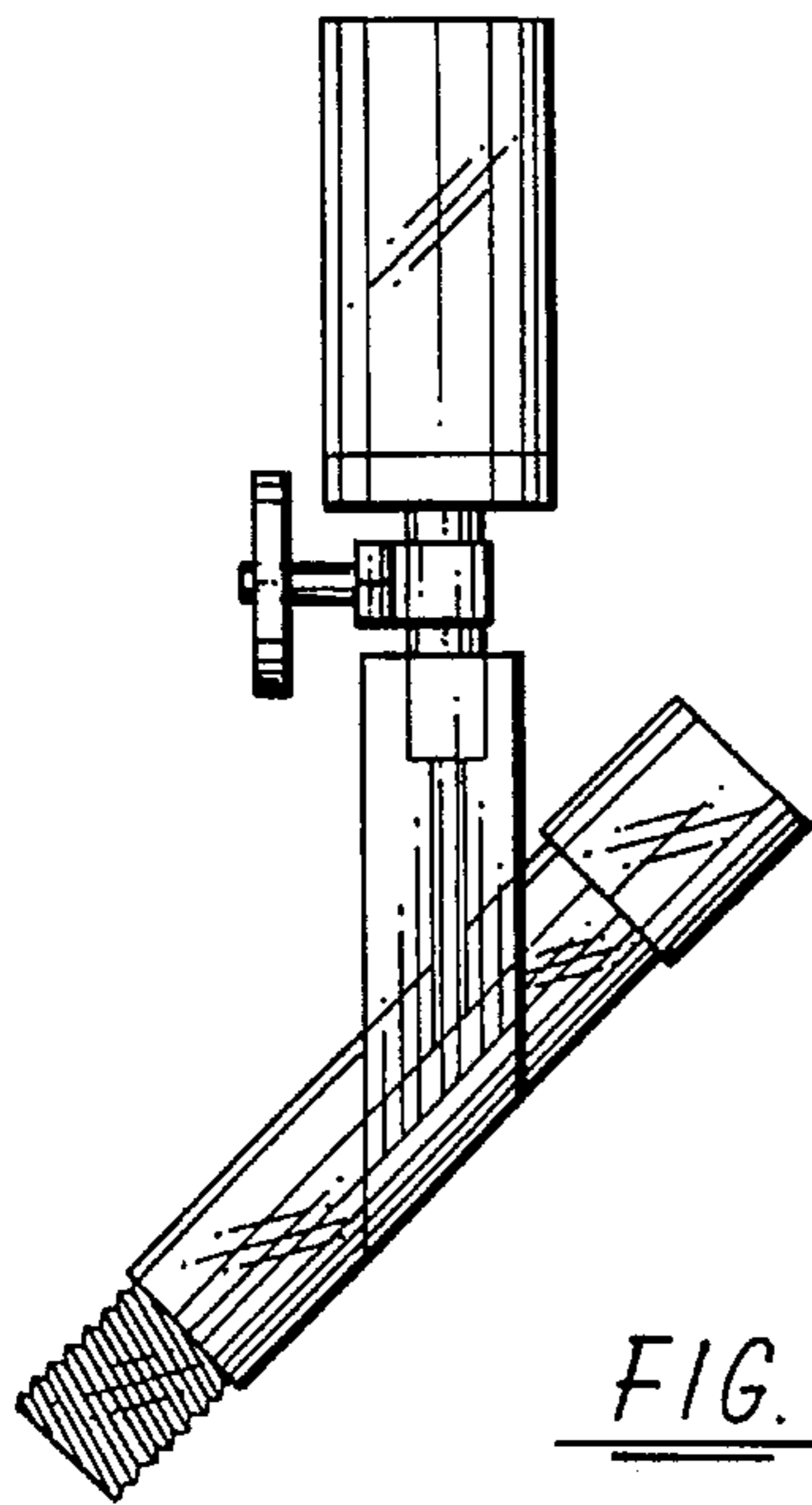


FIG. 3

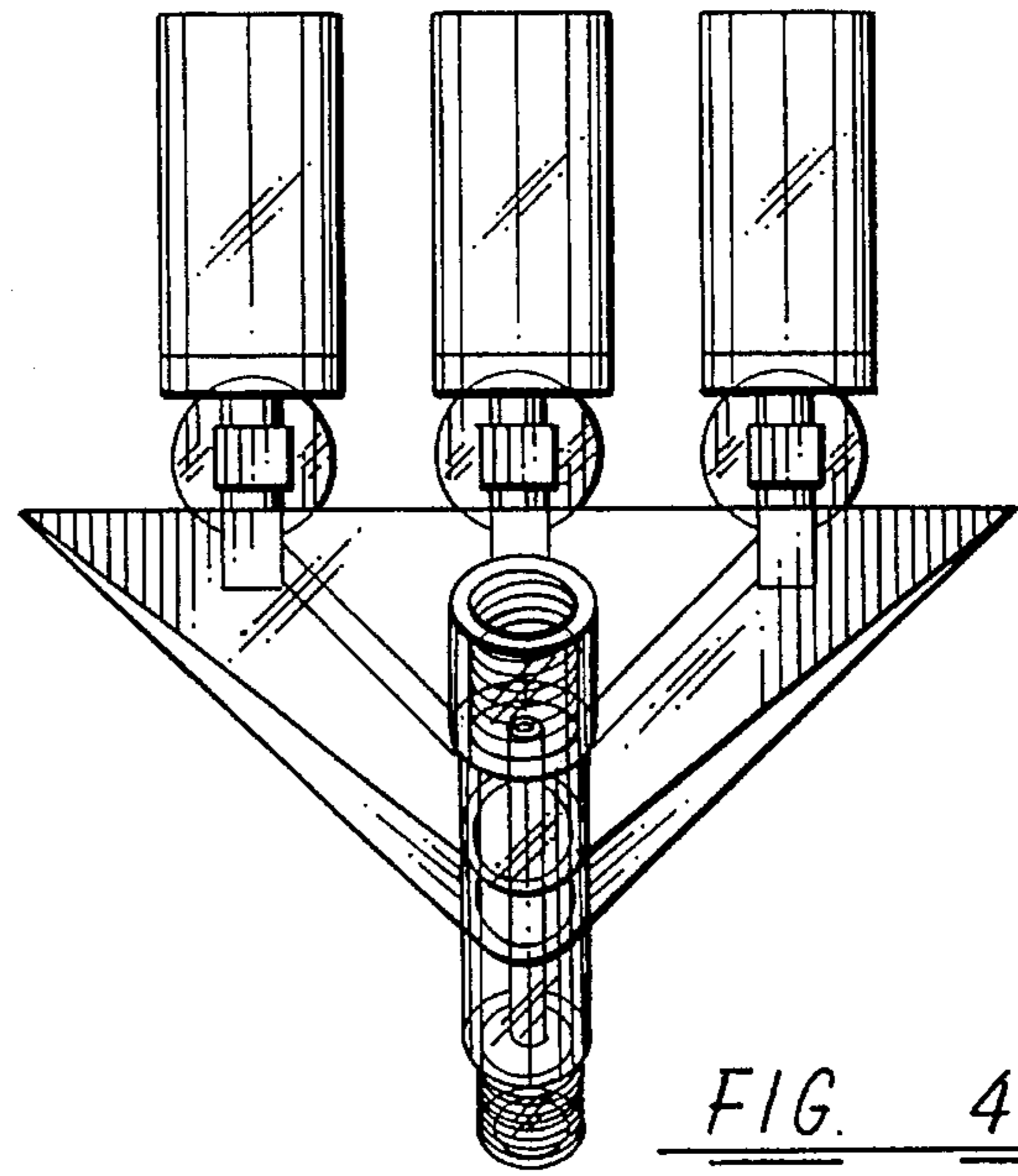


FIG. 4

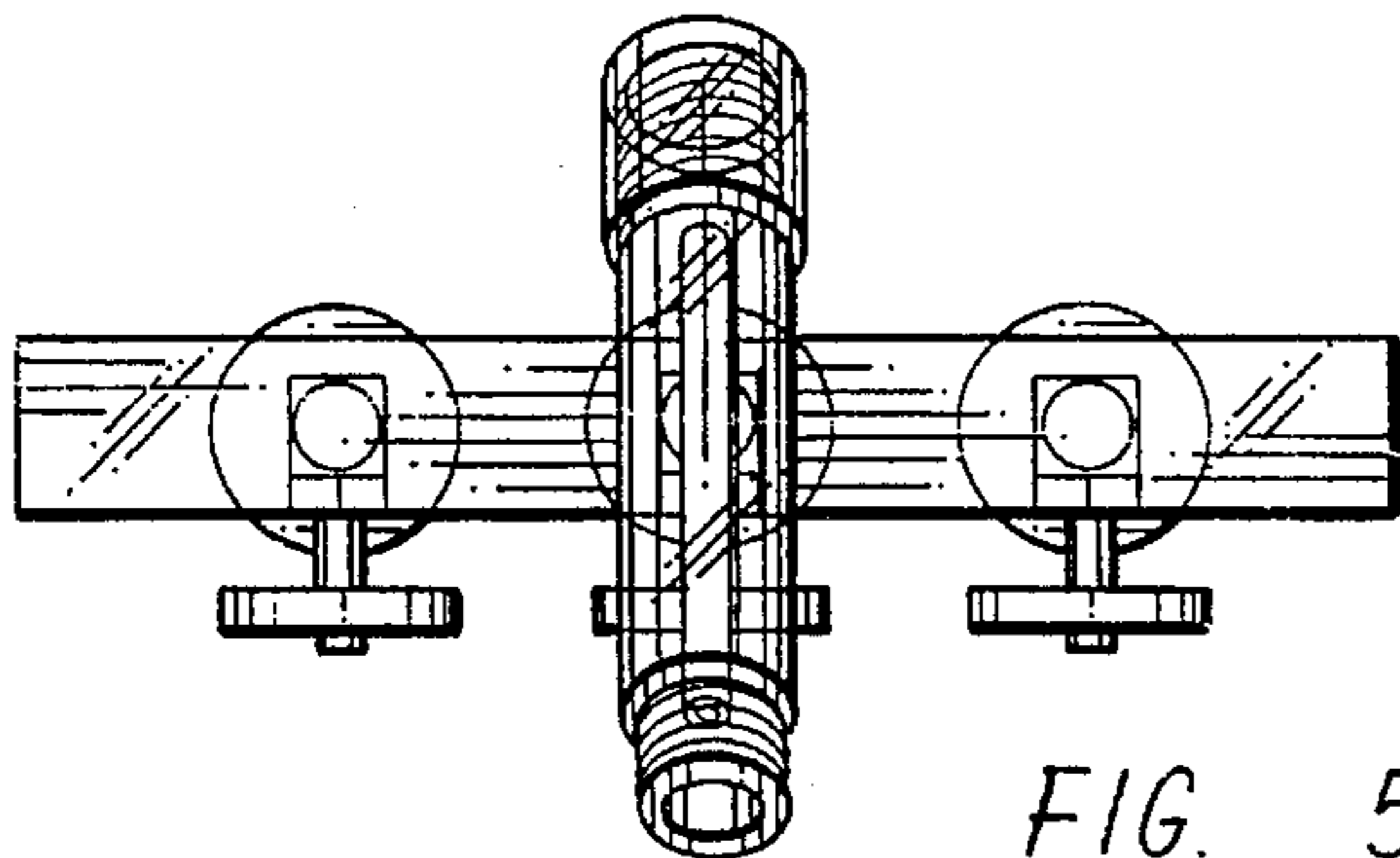


FIG. 5

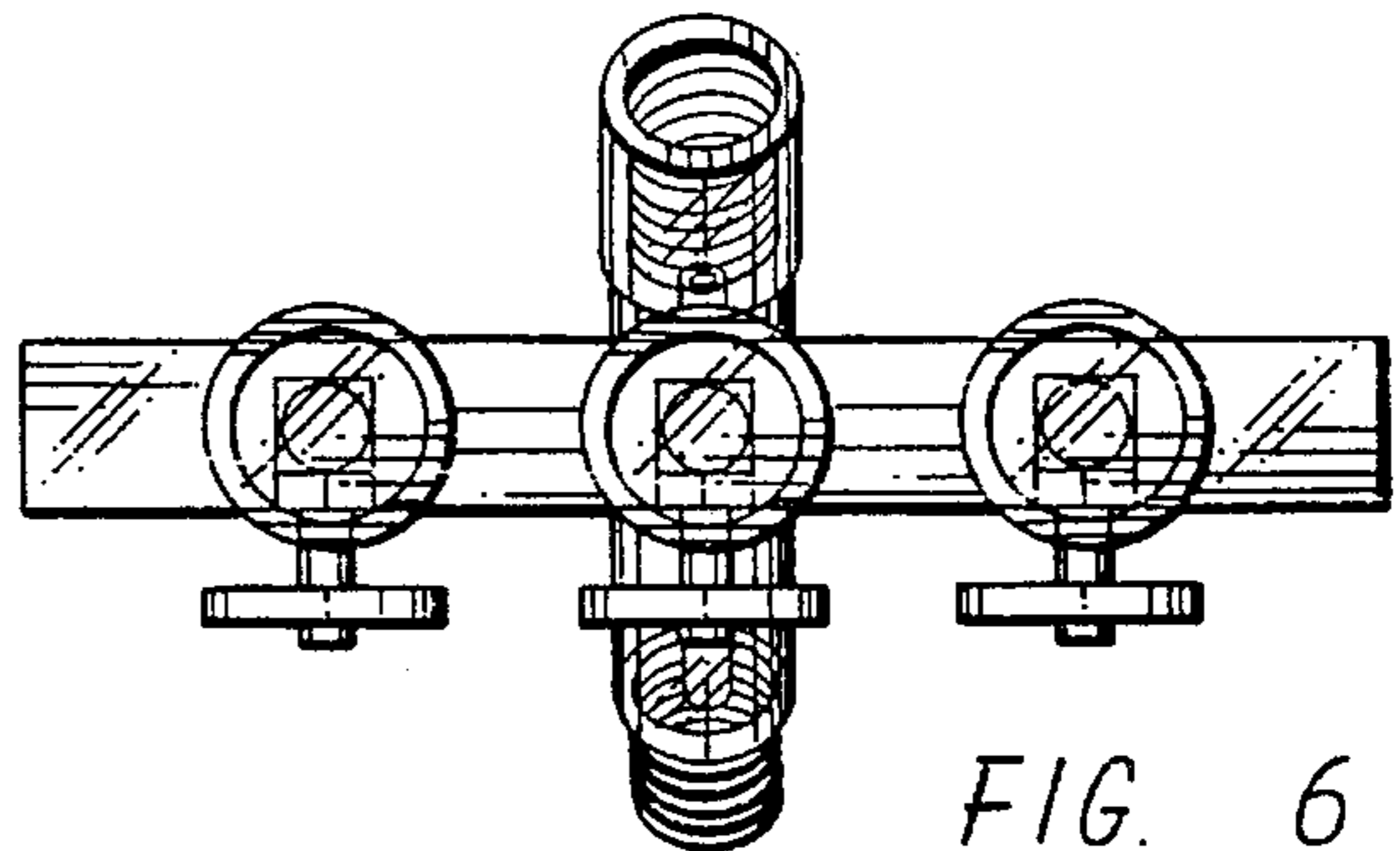


FIG. 6