



US00D372761S

United States Patent [19]
Chih

[11] **Patent Number: Des. 372,761**

[45] **Date of Patent: **Aug. 13, 1996**

[54] **GARDEN SPRINKLER**

4,347,981 9/1982 Nelson 239/394

[76] **Inventor: I-Shun Chih, P.O. Box 1750, Taichung, Taiwan**

Primary Examiner—A. Hugo Word
Assistant Examiner—Robin Taylor
Attorney, Agent, or Firm—Charles E. Baxley, Esq.

[**] **Term: 14 Years**

[57] **CLAIM**

[21] **Appl. No.: 37,903**

The ornamental design for a garden sprinkler, as shown and described.

[22] **Filed: Apr. 24, 1995**

[52] **U.S. Cl. D23/214**

DESCRIPTION

[58] **Field of Search** D23/213-224,
D23/228-230; 239/230-233, 394, 373,
414-5, 525-8, 222.13, 222.21, 225.1

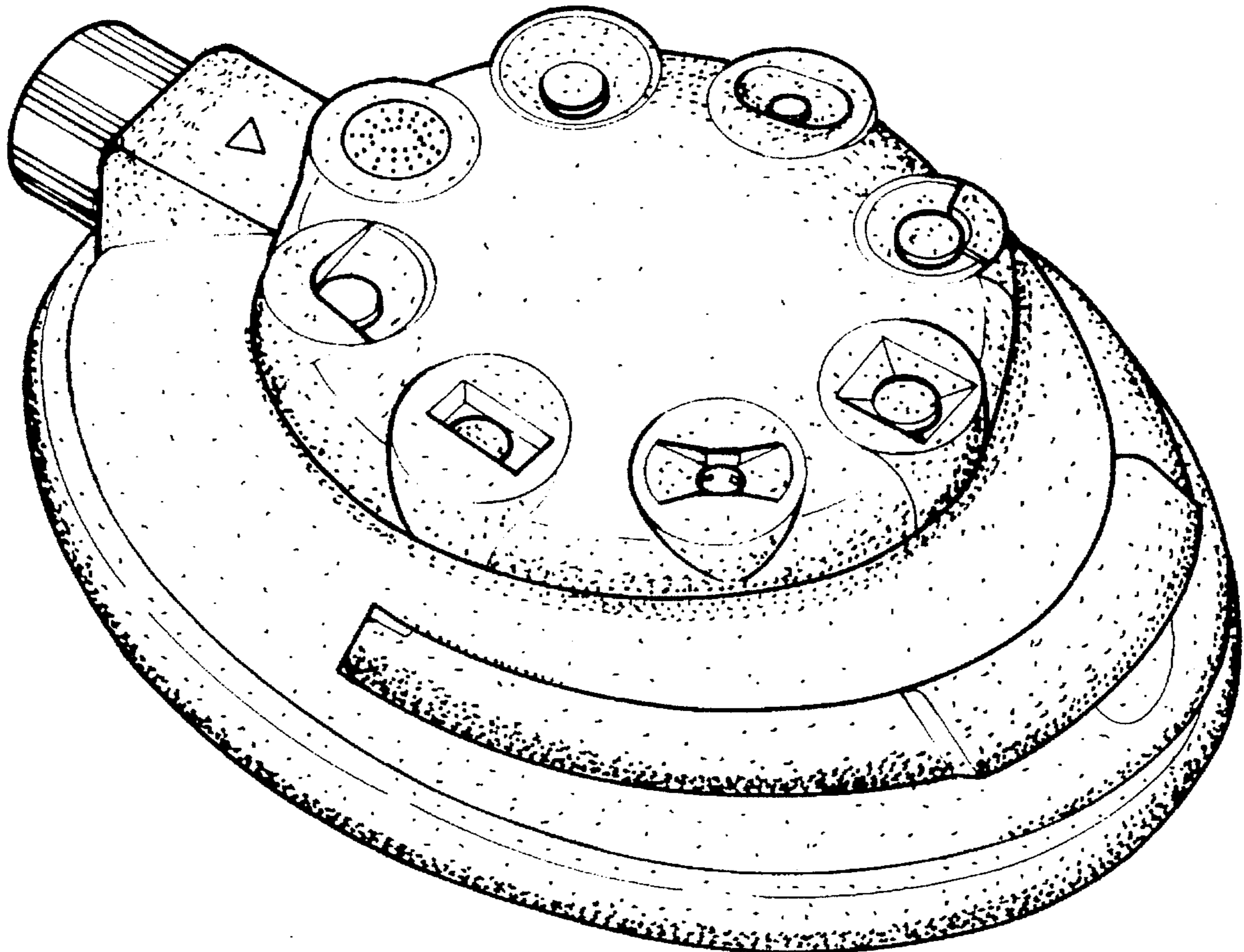
FIG. 1 is a perspective view of a garden sprinkler showing my new design;
FIG. 2 is a front elevational view thereof;
FIG. 3 is a rear elevational view thereof;
FIG. 4 is a top plan view thereof;
FIG. 5 is a bottom plan view thereof;
FIG. 6 is a left side elevational view thereof; and,
FIG. 7 is a right side elevational view thereof.

[56] **References Cited**

U.S. PATENT DOCUMENTS

D. 277,127	1/1985	Mackay et al.	D23/214
D. 305,792	1/1990	Hastings et al.	D23/214
D. 315,192	3/1991	Clivio	D23/214
3,081,950	3/1963	Rinkewich	239/394

1 Claim, 7 Drawing Sheets



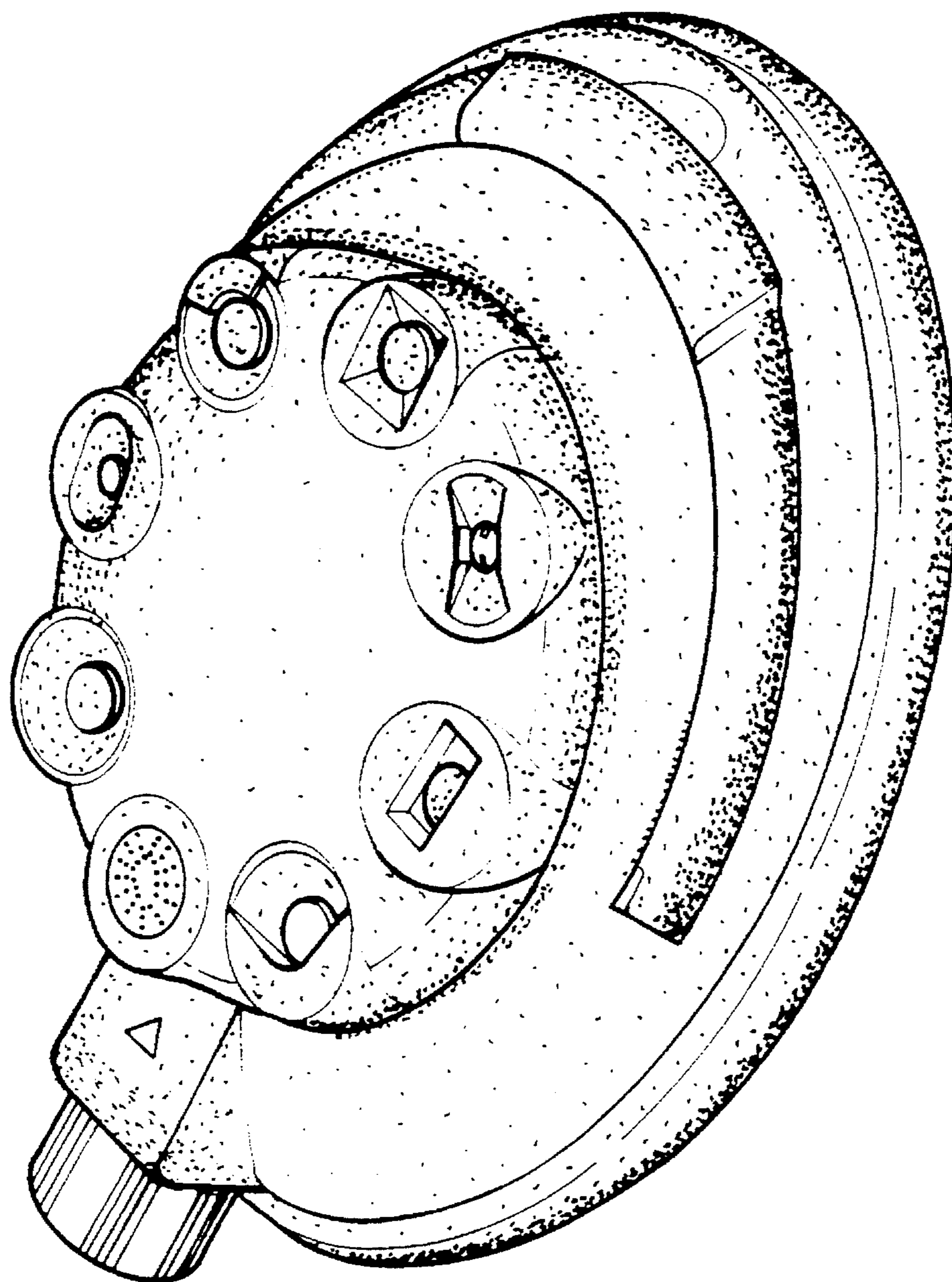


FIG. 1

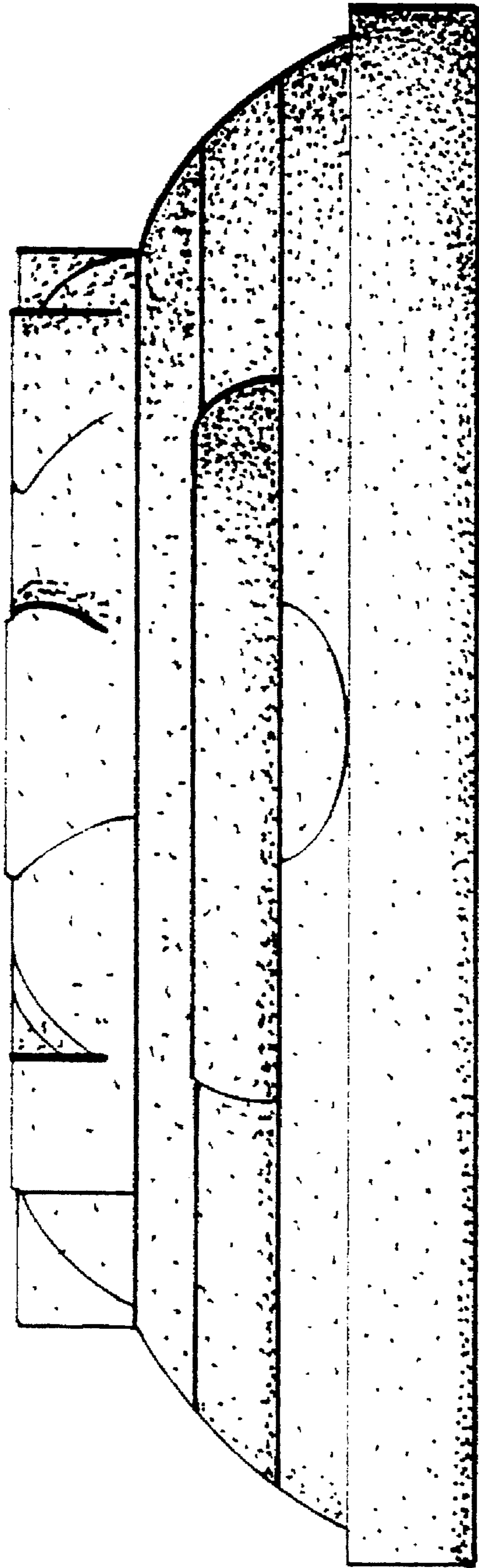


FIG. 2

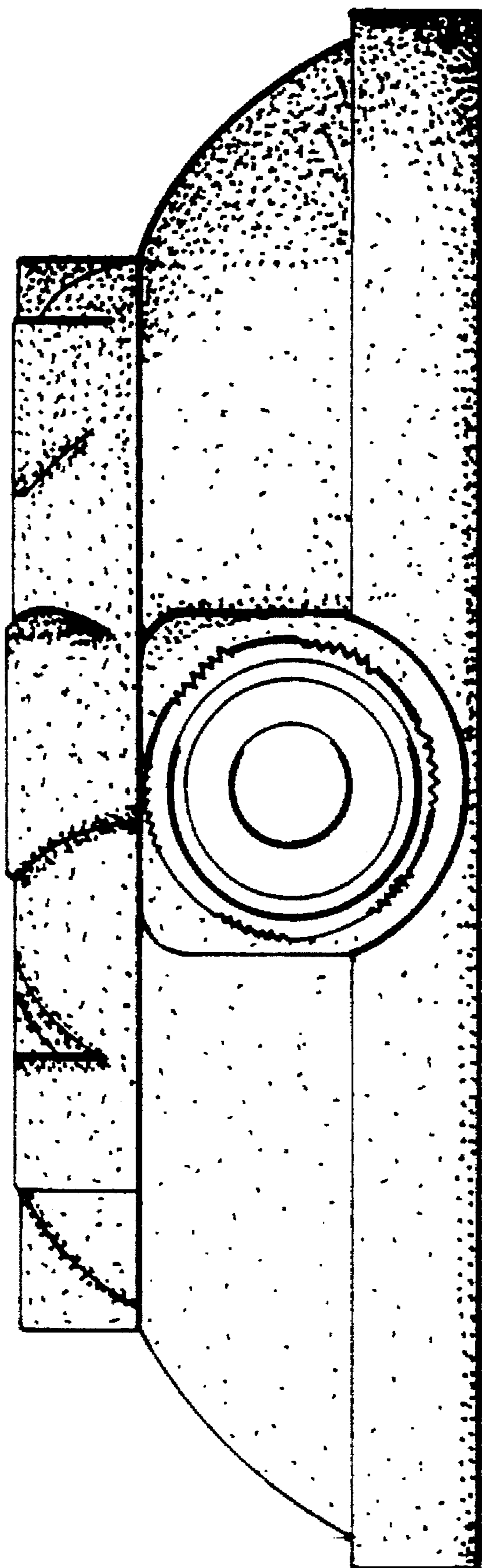


FIG. 3

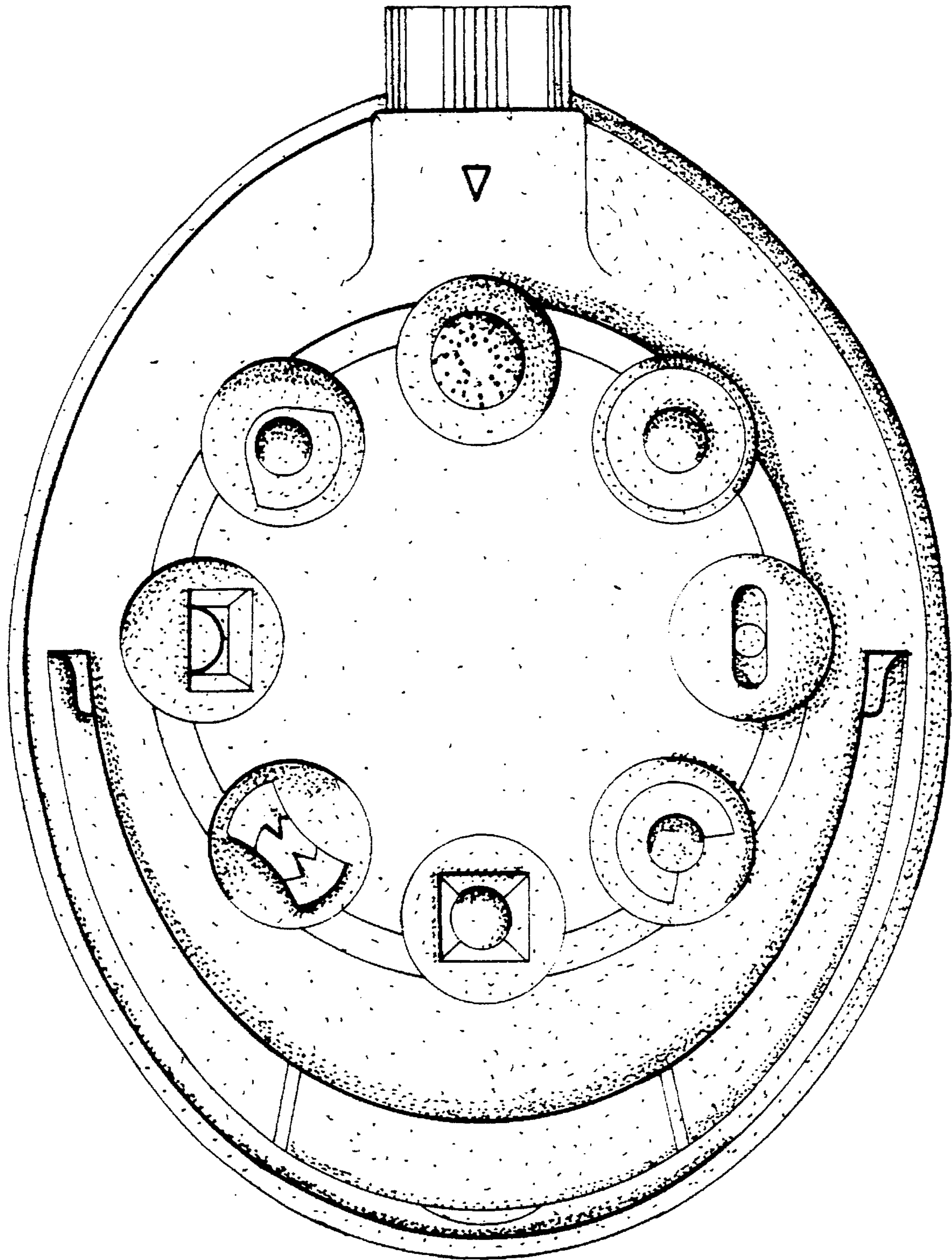


FIG. 4

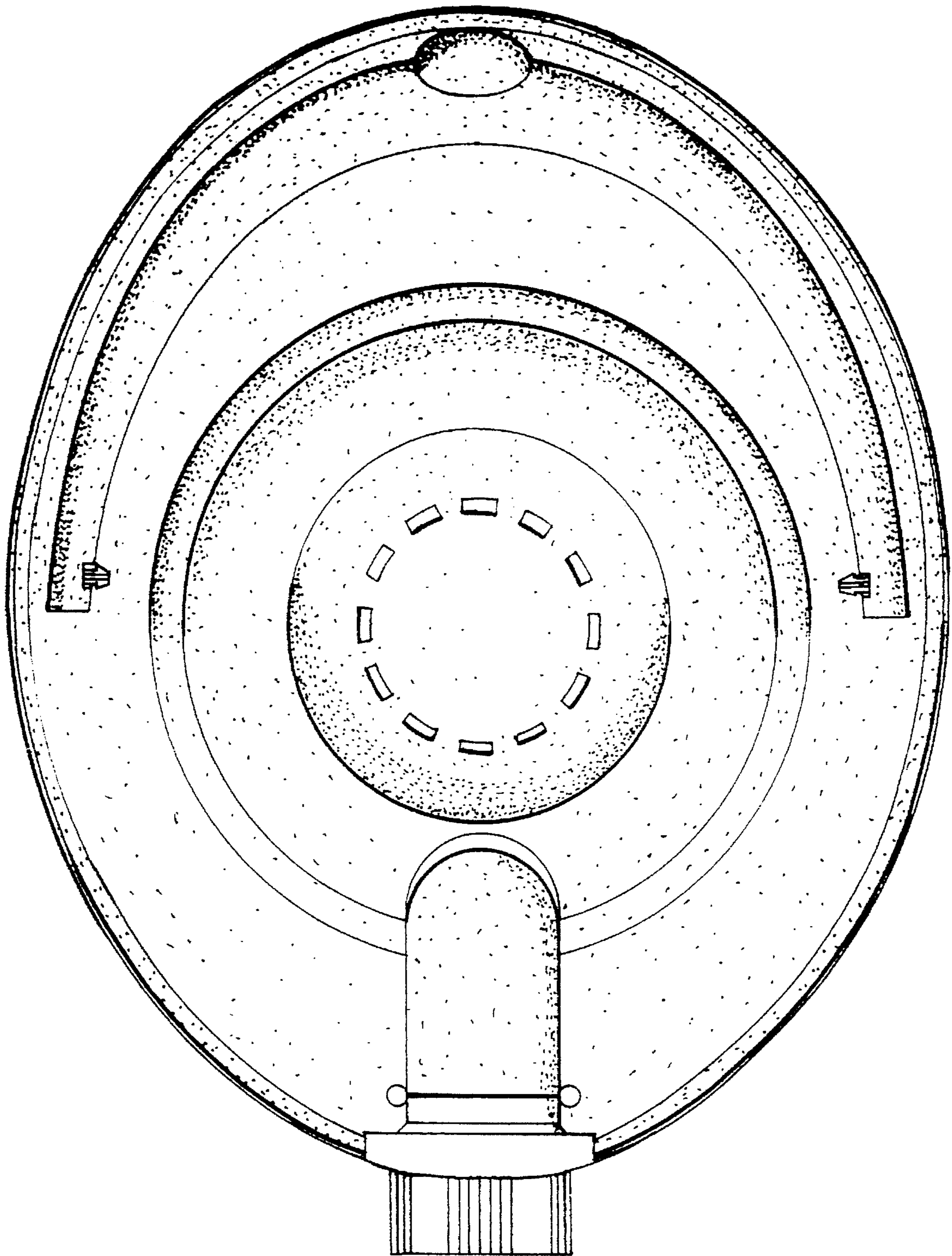


FIG. 5

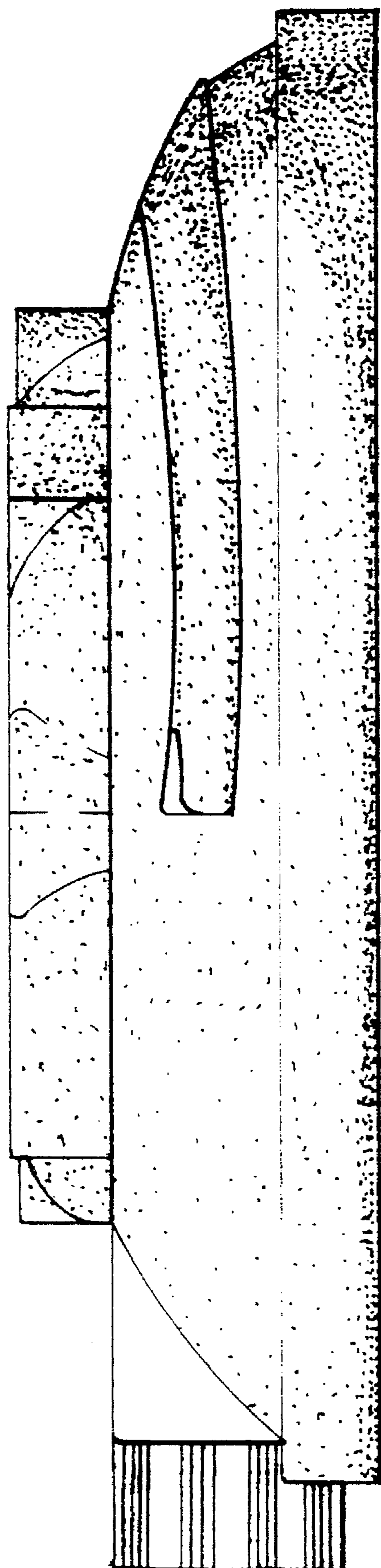


FIG. 6

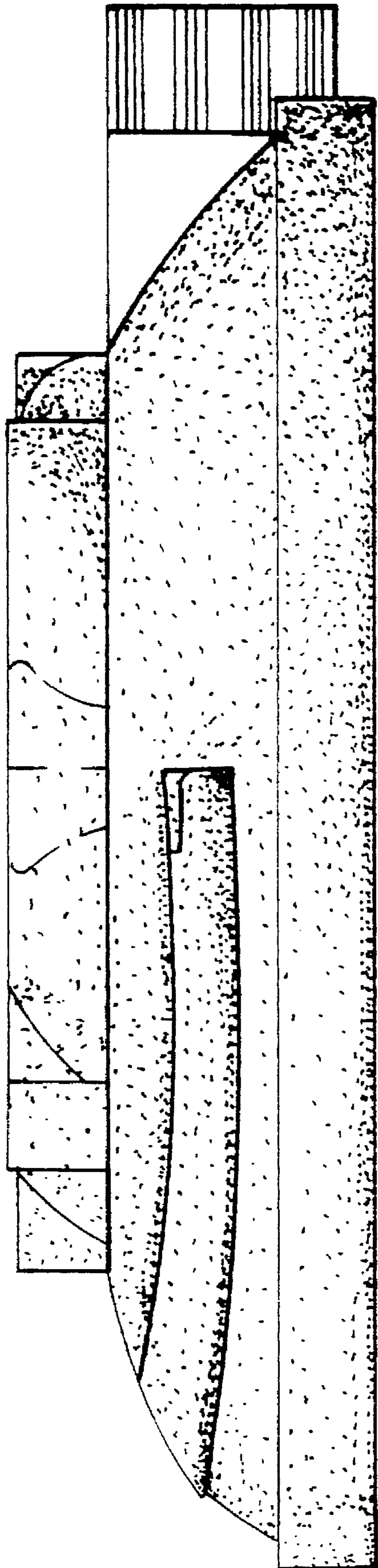


FIG. 7