



US00D372760S

United States Patent [19]

[11] Patent Number: **Des. 372,760**

Brancazio et al.

[45] Date of Patent: ****Aug. 13, 1996**

[54] **WATER PURIFIER**

[75] Inventors: **Diane M. Brancazio**, Cambridge;
Susannah E. Gardner, Brookline;
Matthew D. Hern, Boston, all of
Mass.; **Francis M. Lubrano**,
Narragansett; **David A. Snow**,
Barrington, both of R.I.; **David M.**
Sykes, Cambridge, Mass.

[73] Assignee: **Fountainhead Technologies**,
Providence, R.I.

[**] Term: **14 Years**

[21] Appl. No.: **44,002**

[22] Filed: **Sep. 14, 1995**

Related U.S. Application Data

[63] Continuation of Ser. No. 30,668, Nov. 4, 1994, abandoned.
[52] **U.S. Cl.** **D23/209**
[58] **Field of Search** D23/200, 207-210;
210/446, 448, 449, 452, 460, 263-4, 416.2,
416.3, 282, 205

[56] **References Cited**

U.S. PATENT DOCUMENTS

D. 220,263 3/1971 Hughes D23/209

D. 227,565 7/1973 Ehret D23/209
D. 235,143 5/1975 Ehret D23/209
4,504,387 3/1985 Lemire et al. .
4,662,387 5/1987 King, Sr. .
4,935,116 6/1990 Lemire .

OTHER PUBLICATIONS

Commercial prior art water purifier (photographs attached).

Primary Examiner—A. Hugo Word
Assistant Examiner—Robin V. Taylor
Attorney, Agent, or Firm—Fish & Richardson P.C.

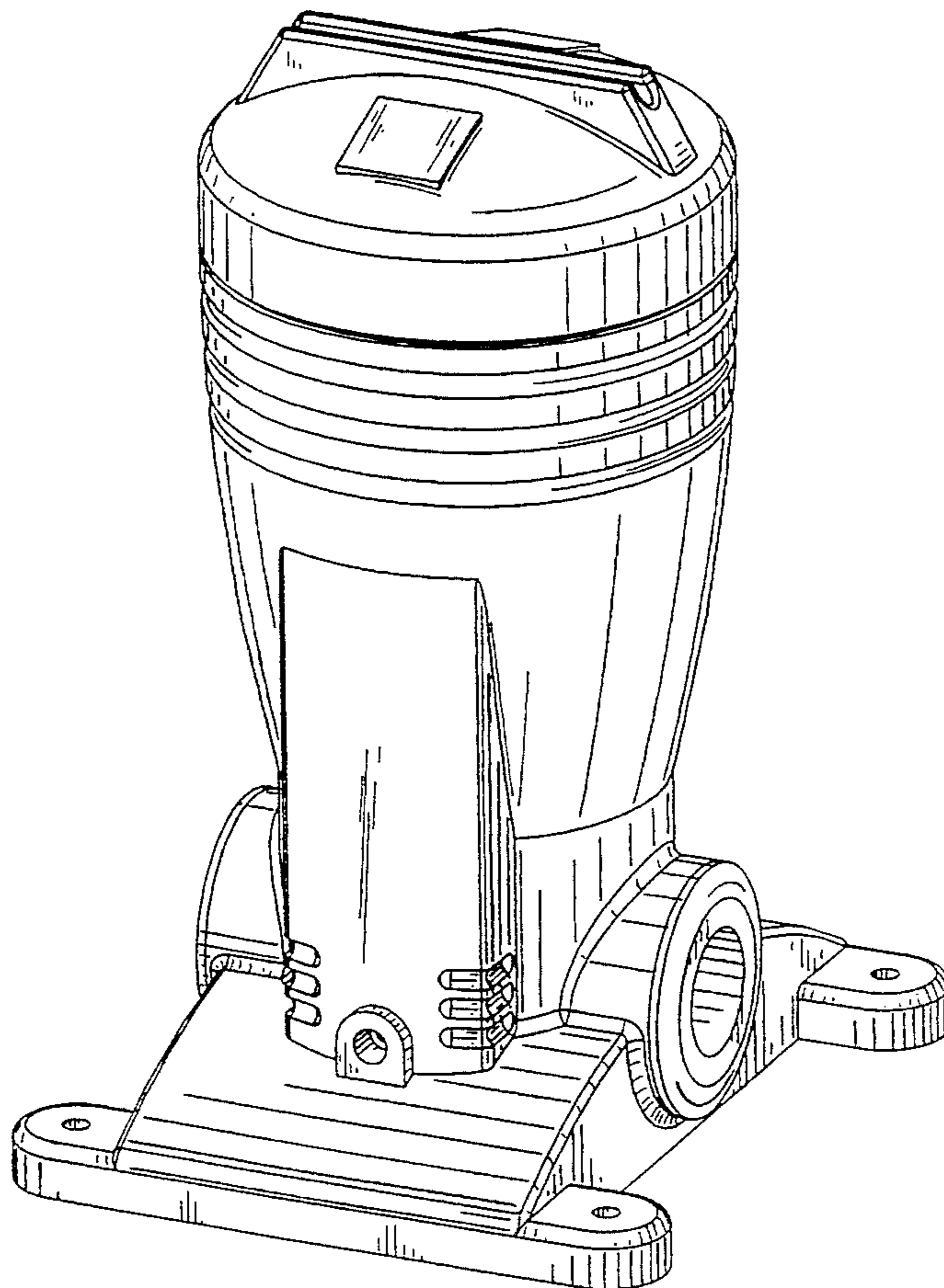
[57] **CLAIM**

The ornamental design for a water purifier, as shown and described.

DESCRIPTION

FIG. 1 is a perspective view of a water purifier showing our new design;
FIG. 2 is a side elevation view thereof;
FIG. 3 is a side elevation view thereof, opposite that shown in FIG. 2;
FIG. 4 is a front elevation view thereof;
FIG. 5 is a rear elevation view thereof;
FIG. 6 is a top plan view thereof; and,
FIG. 7 is a bottom plan view thereof.

1 Claim, 4 Drawing Sheets



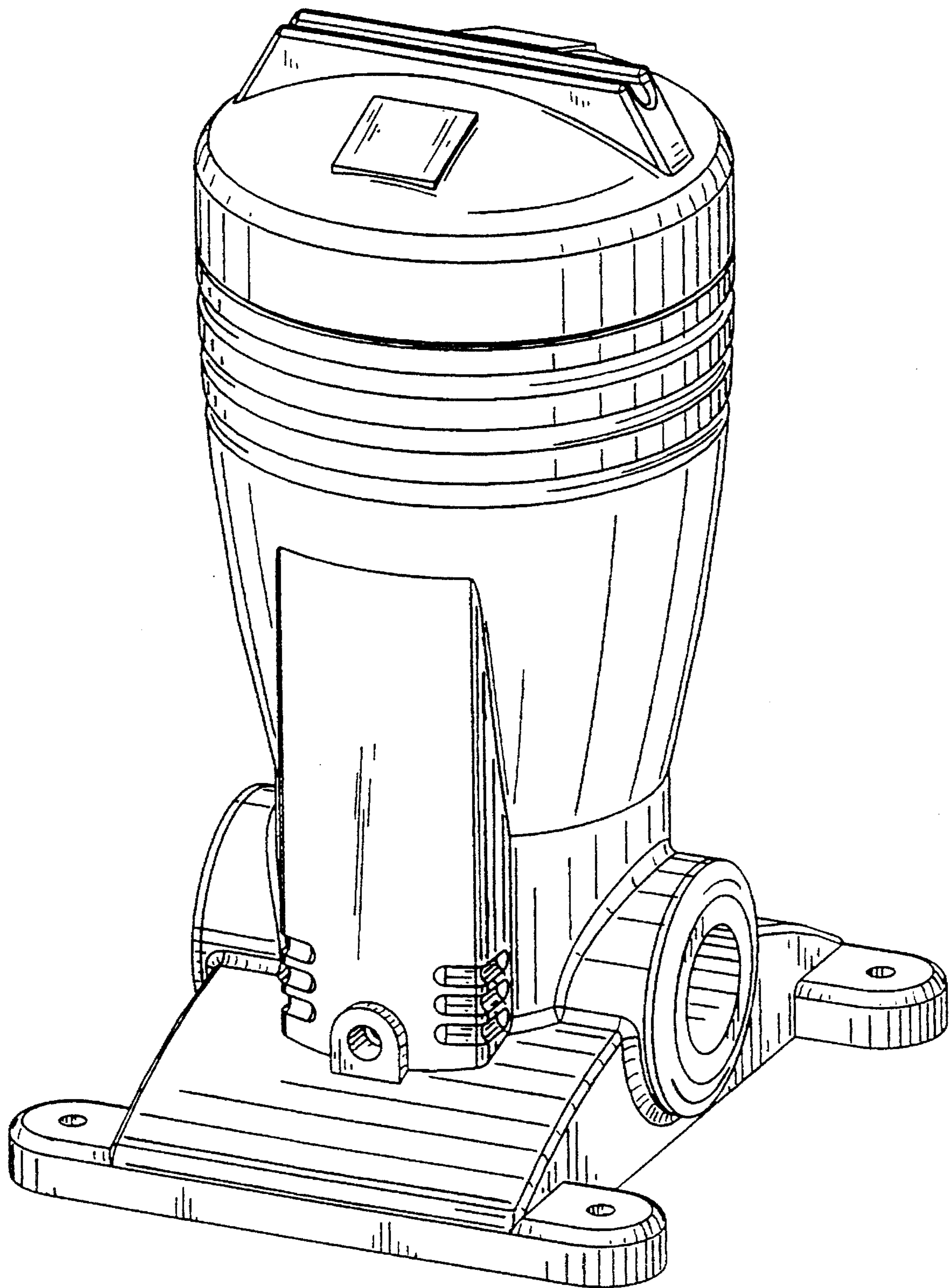


FIG. 1

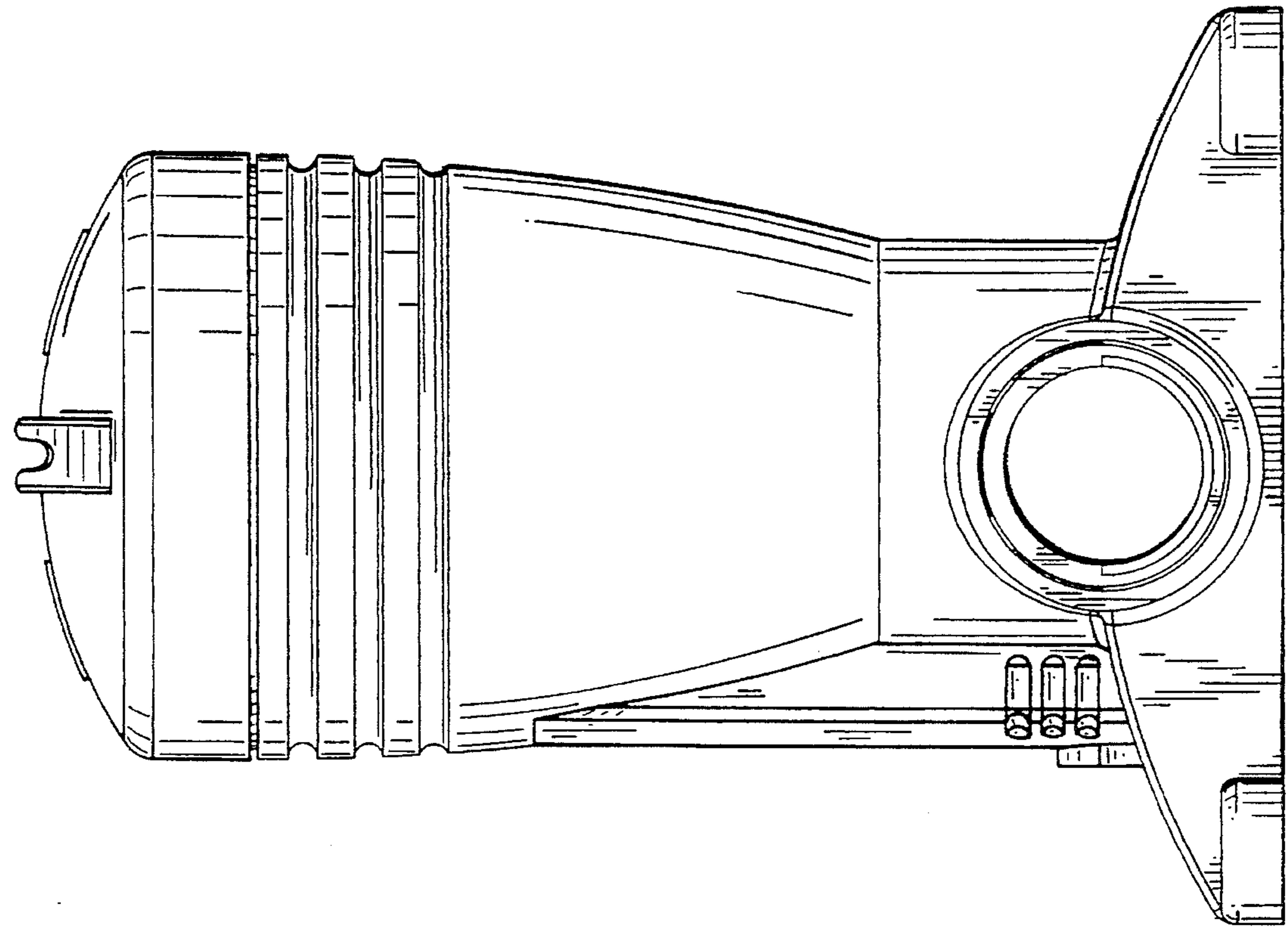


FIG. 3

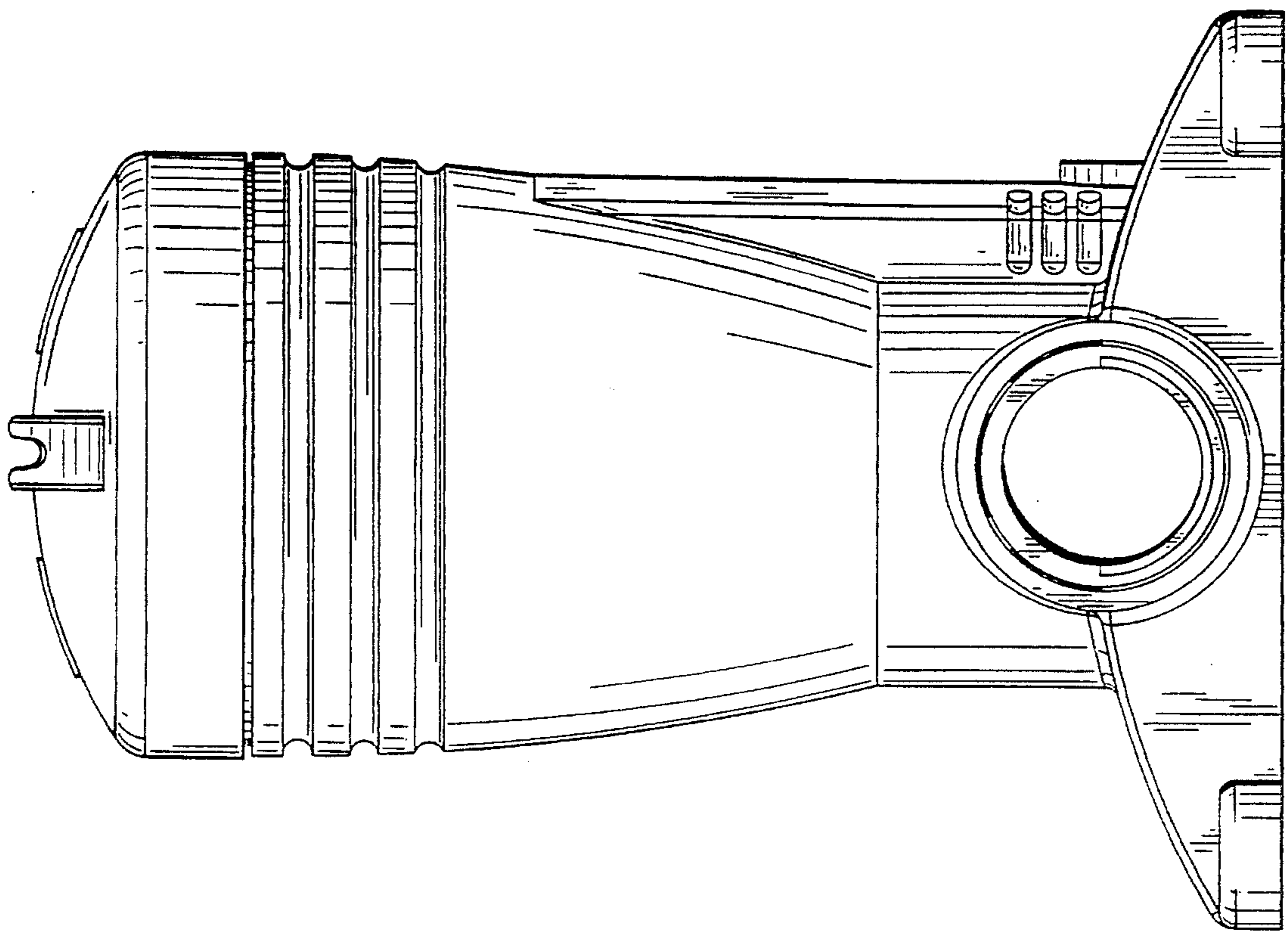


FIG. 2

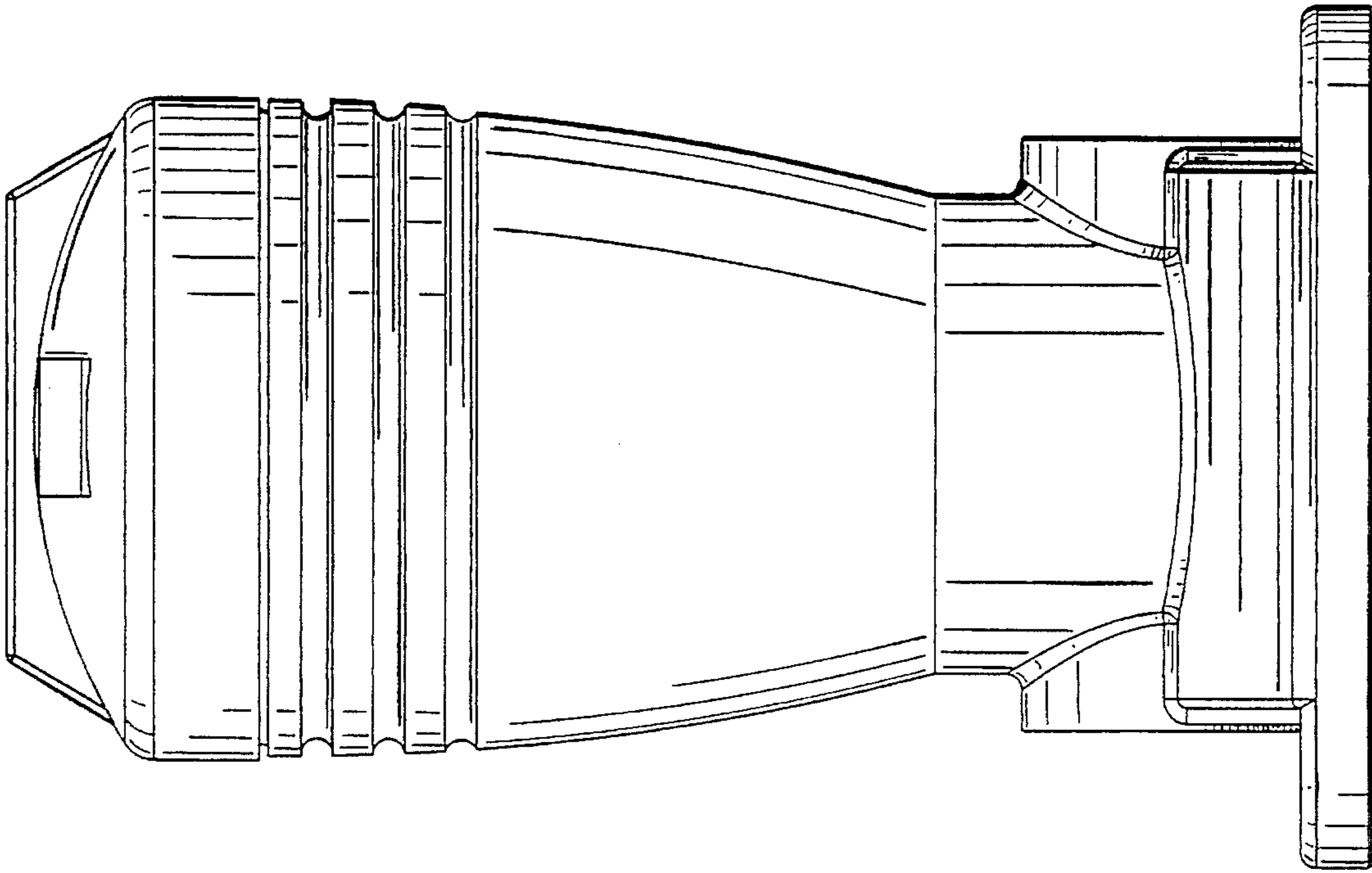


FIG. 5

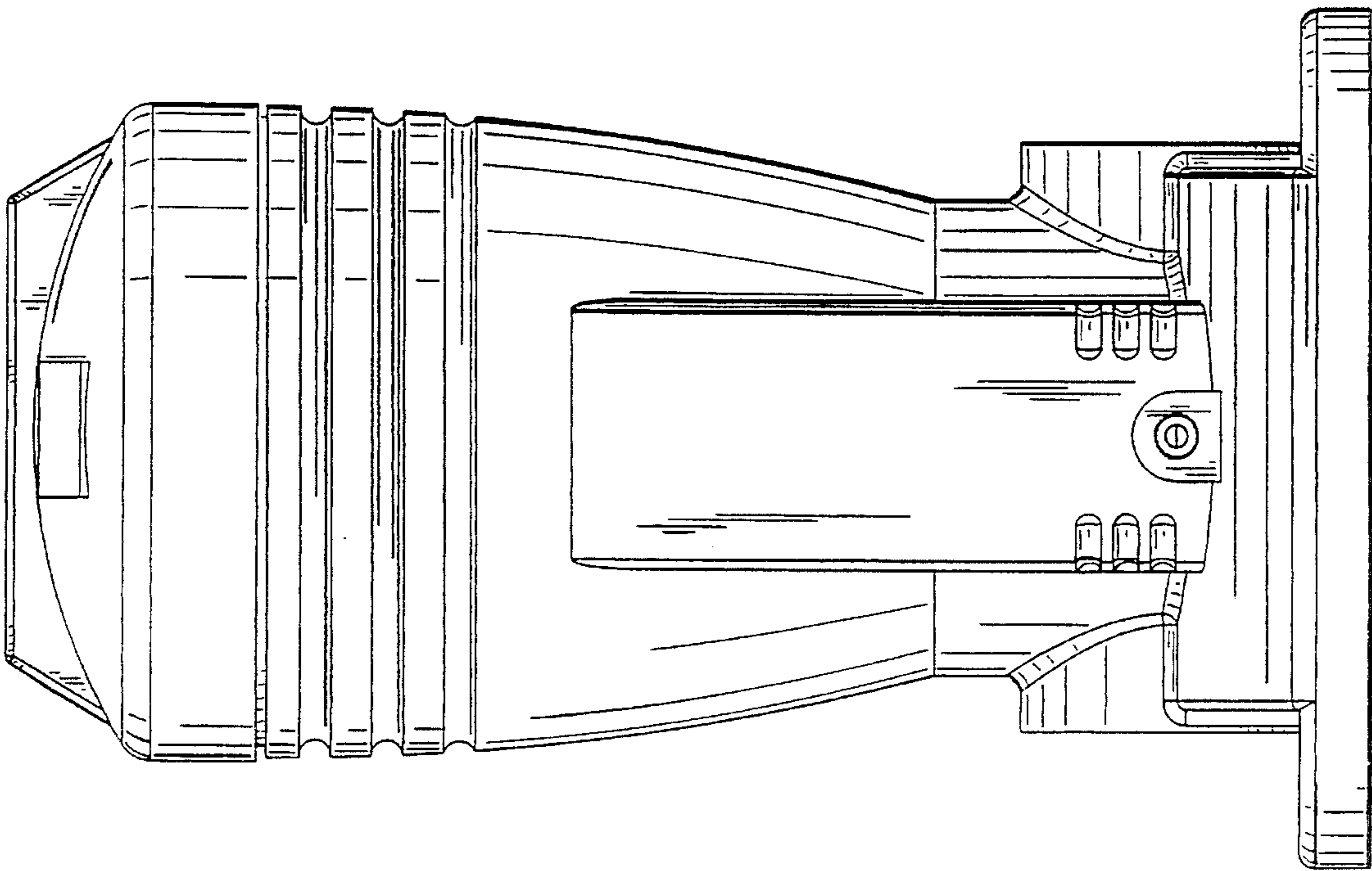


FIG. 4

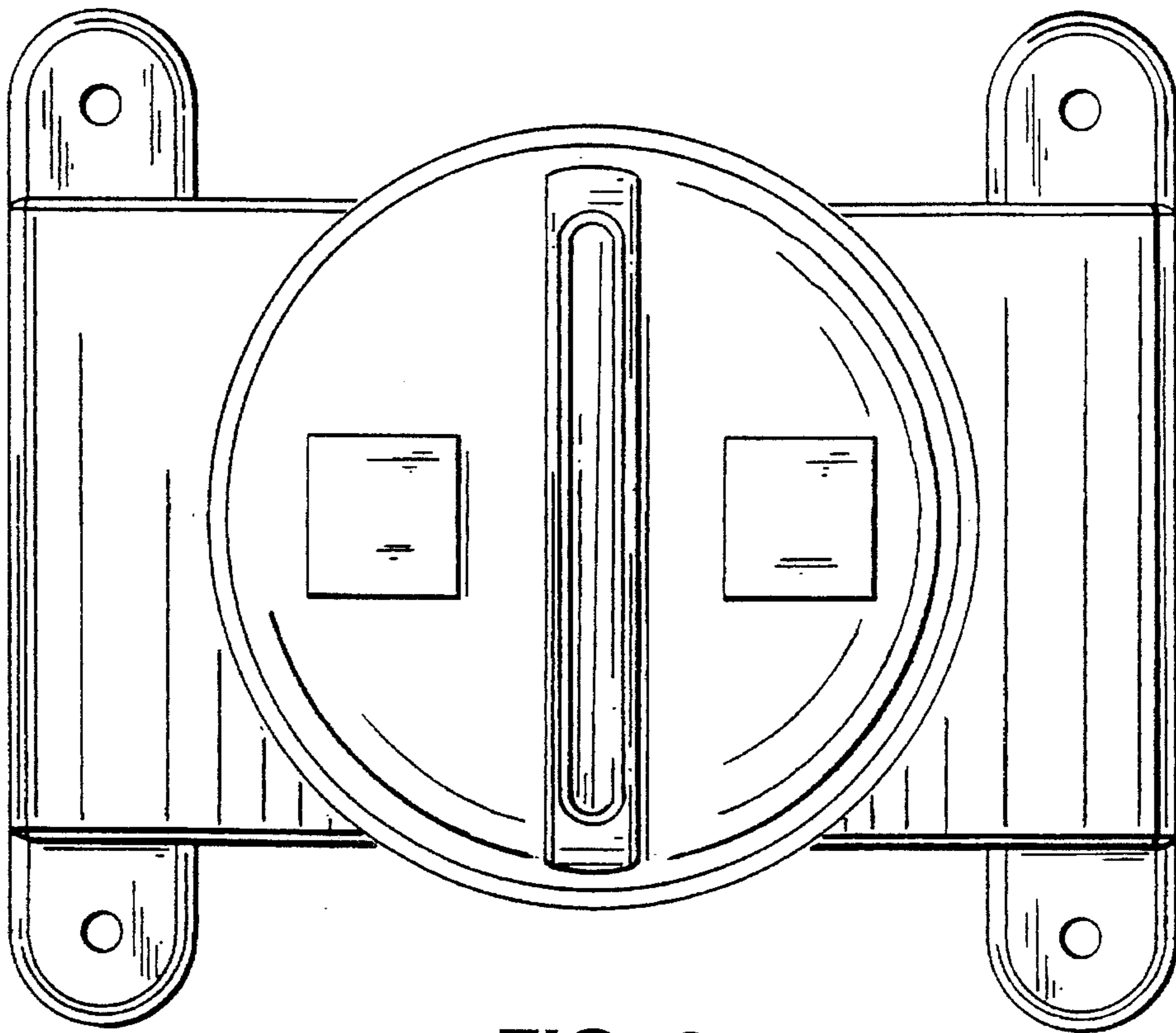


FIG. 6

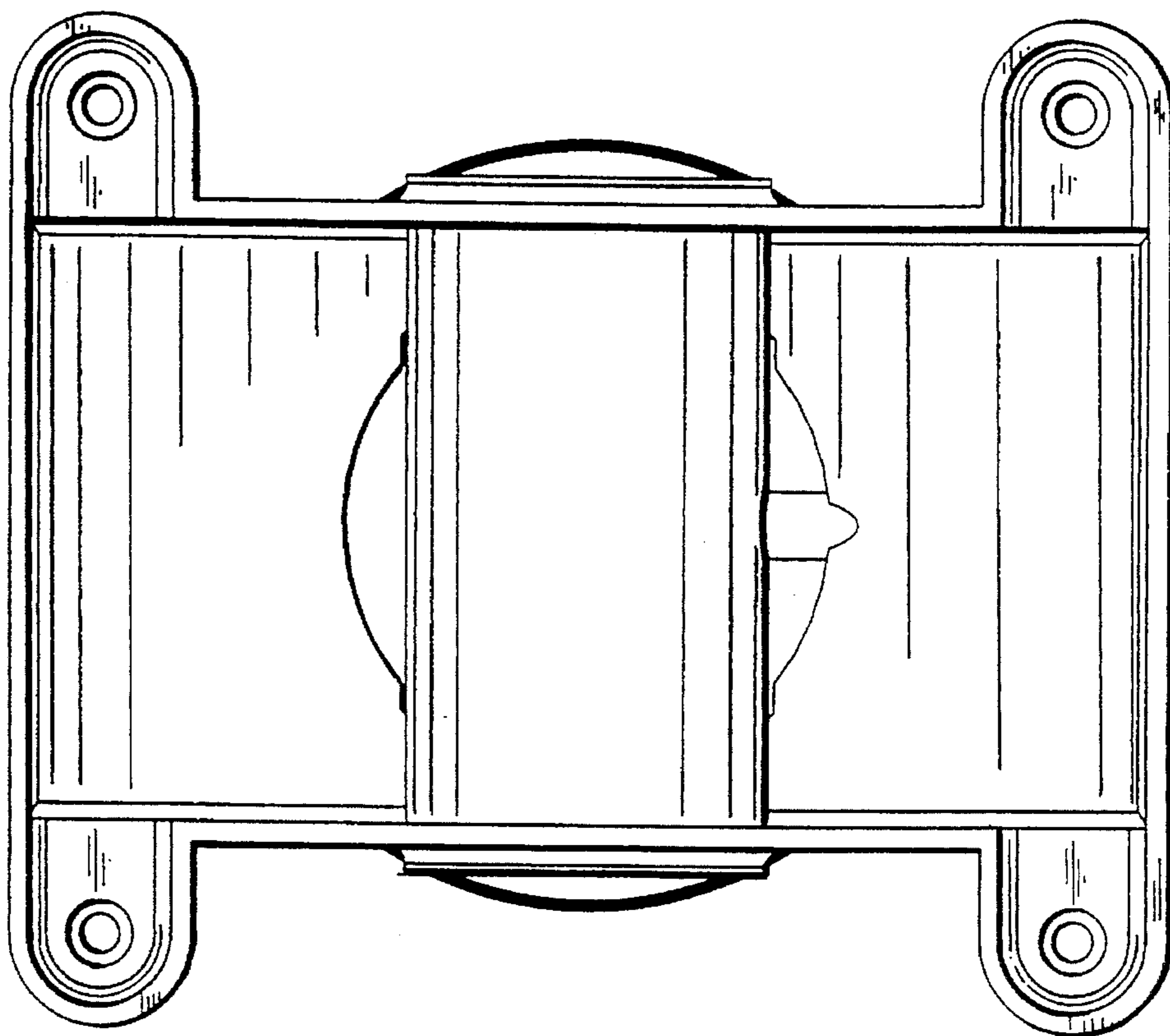


FIG. 7