



US00D372758S

**United States Patent** [19]

[11] **Patent Number: Des. 372,758**

**Kaneko et al.**

[45] **Date of Patent: \*\*Aug. 13, 1996**

[54] **LINE ROLLER FOR A SPINNING FISHING REEL**

4,898,339	2/1990	Takeuchi	242/231
4,969,613	11/1990	Kaneko	242/231
5,149,006	9/1992	Hitomi	242/231
5,261,627	11/1993	Shinohara	242/231

[75] Inventors: **Kyoichi Kaneko; Eiji Shinohara**, both of Higashikurume, Japan

*Primary Examiner*—Doris V. Coles  
*Attorney, Agent, or Firm*—Cushman Darby & Cushman, L.L.P.

[73] Assignee: **Daiwa Seiko, Inc.**, Higashikurume, Japan

[57] **CLAIM**

[\*\*] Term: **14 Years**

The ornamental design for a line roller for a spinning fishing reel, as shown and described.

[21] Appl. No.: **39,878**

**DESCRIPTION**

[22] Filed: **Jun. 6, 1995**

[30] **Foreign Application Priority Data**

FIG. 1 is a front and left side of the perspective view of a line roller for a spinning fishing reel showing our new design; FIG. 2 is a front elevational view thereof; FIG. 3 is a left side elevational view thereof; FIG. 4 is a right side elevational view thereof; FIG. 5 is a cross sectional view at No. 5 of FIG. 2; FIG. 6 is a front and left side of the perspective view of the other embodiment showing our new design; FIG. 7 is a front elevational view thereof; FIG. 8 is a left side elevational view thereof; FIG. 9 is a right side elevational view thereof; and, FIG. 10 is a cross sectional view at No. 10 of FIG. 7.

Dec. 6, 1994	[JP]	Japan	6-37277
Dec. 13, 1994	[JP]	Japan	6-38061

[52] U.S. Cl. .... **D22/137; D22/141**

[58] Field of Search ..... D22/141, 137, D22/138; 242/230-233, 615.2, 157 R

[56] **References Cited**

**U.S. PATENT DOCUMENTS**

4,567,976	1/1986	Ban	242/231
4,884,761	12/1989	Kuntze	242/230
4,884,962	12/1989	Tunoda	D22/141 X

**1 Claim, 2 Drawing Sheets**

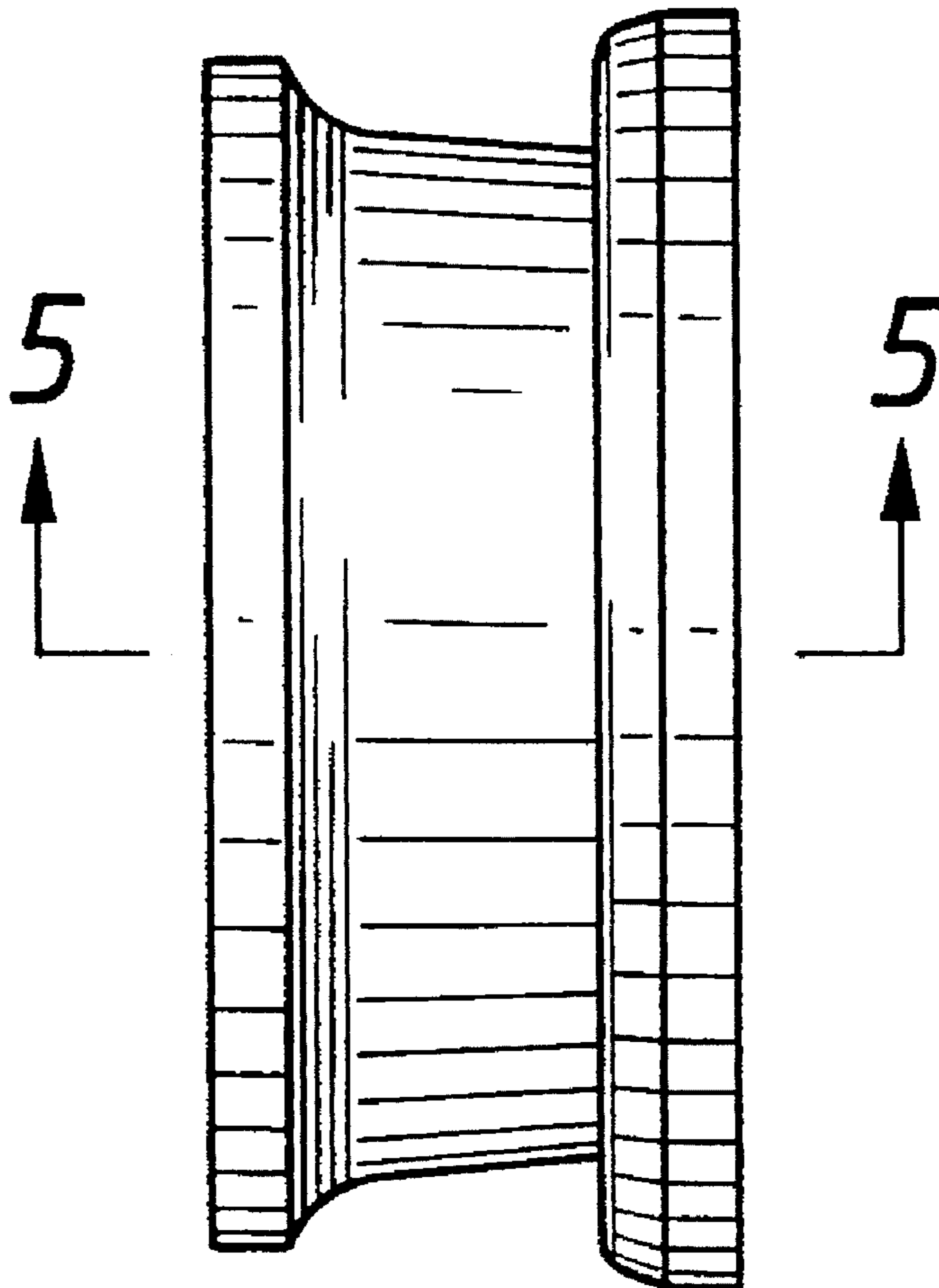


FIG. 1

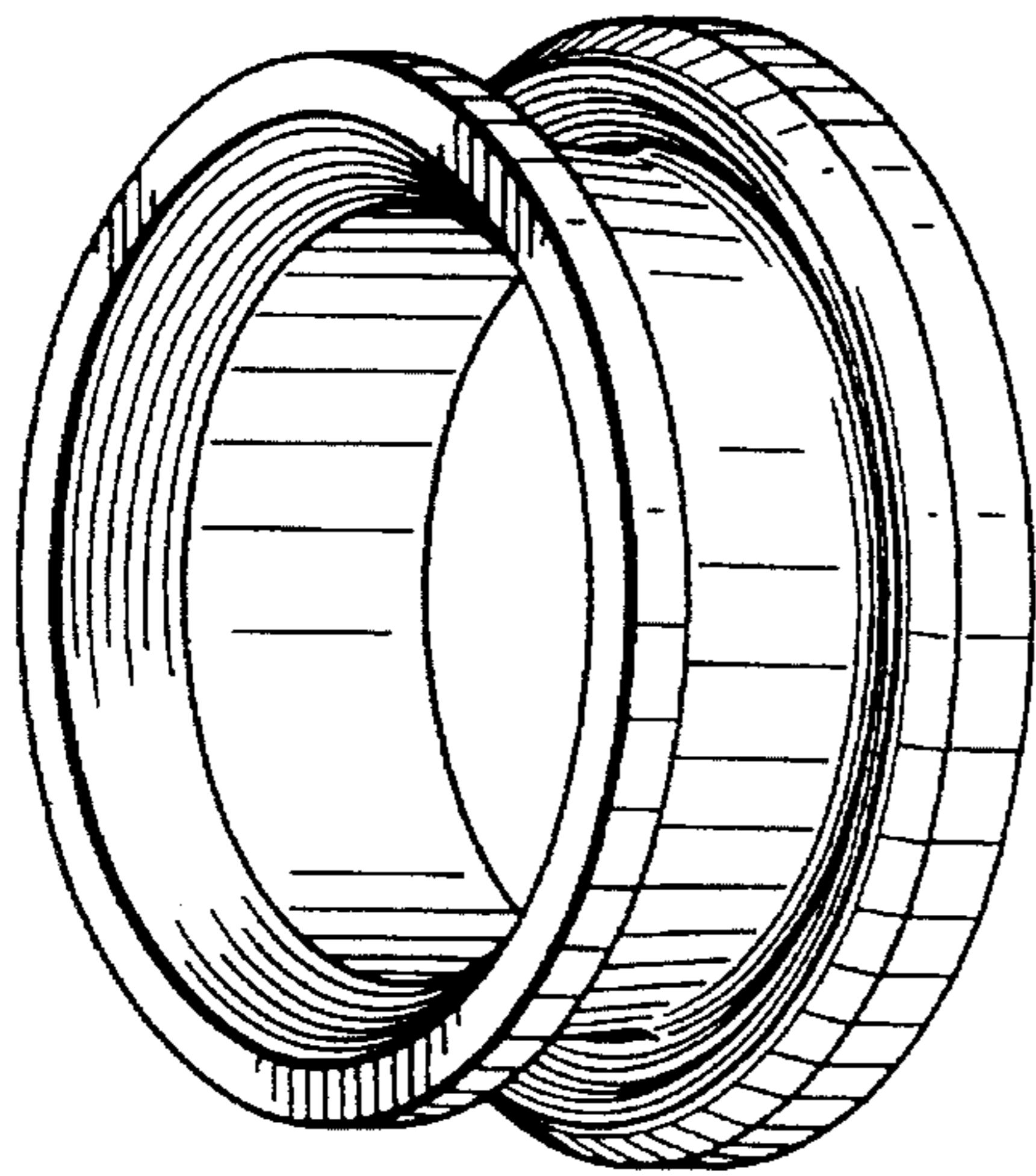


FIG. 2

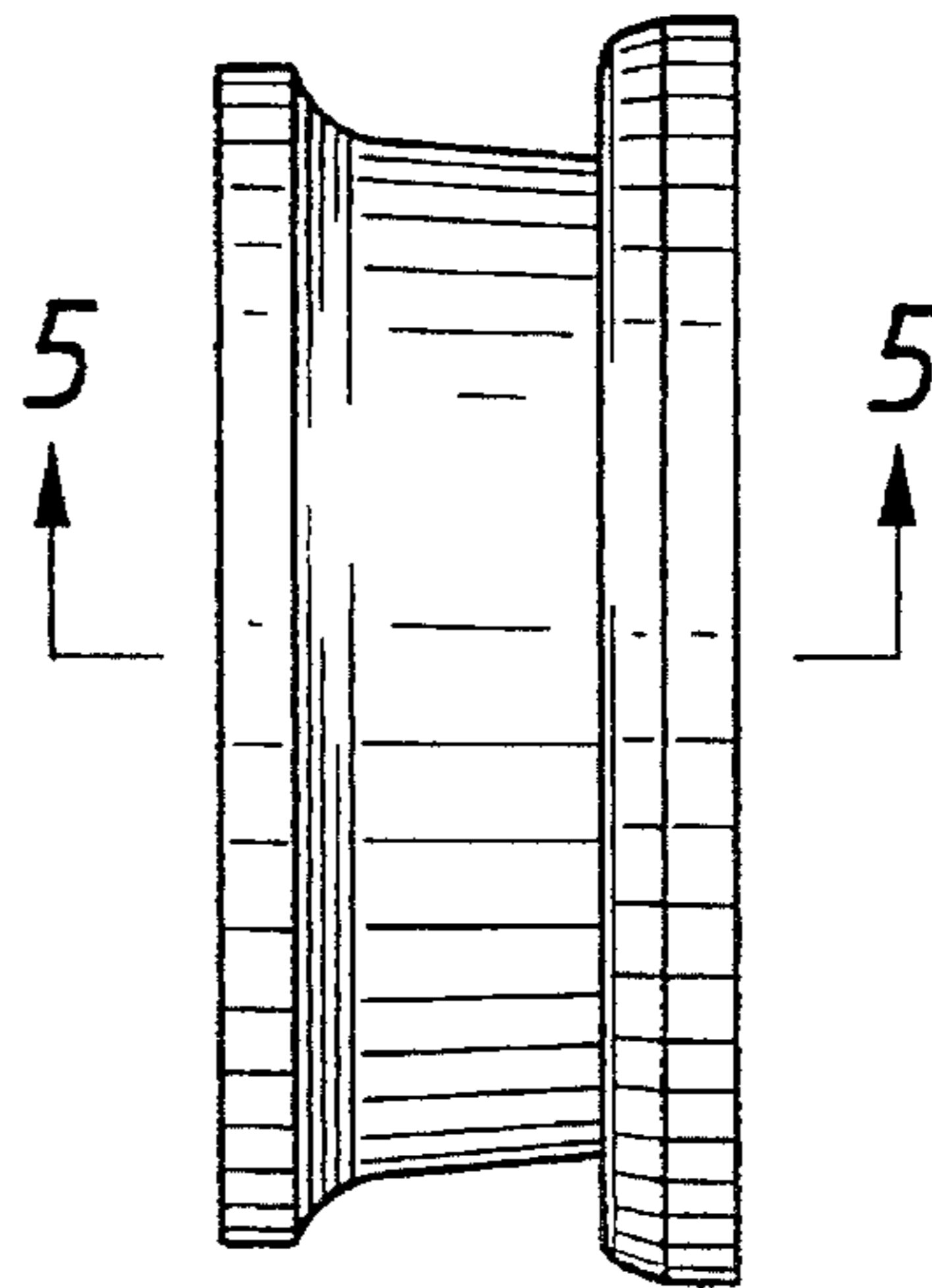


FIG. 3

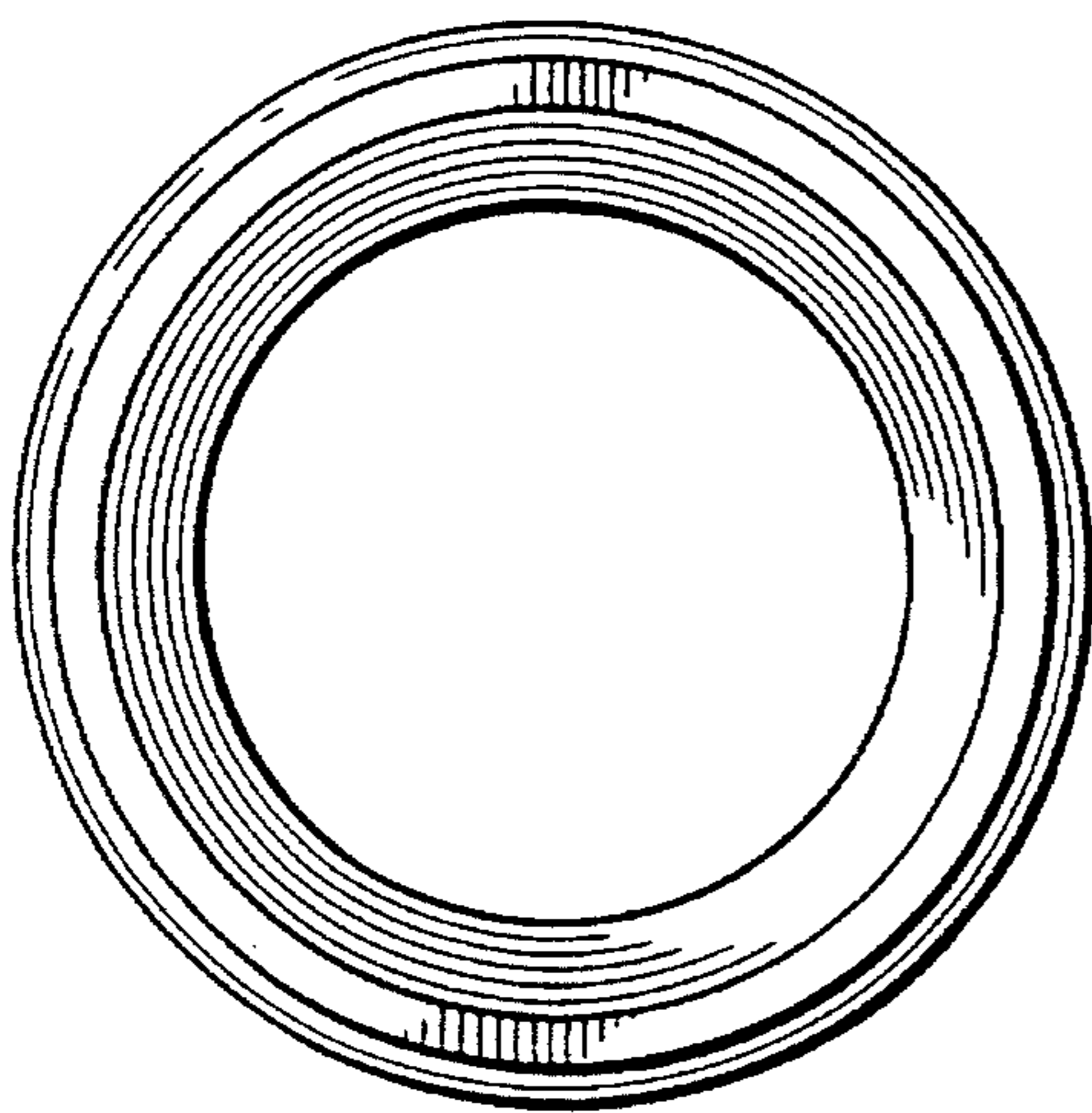


FIG. 4

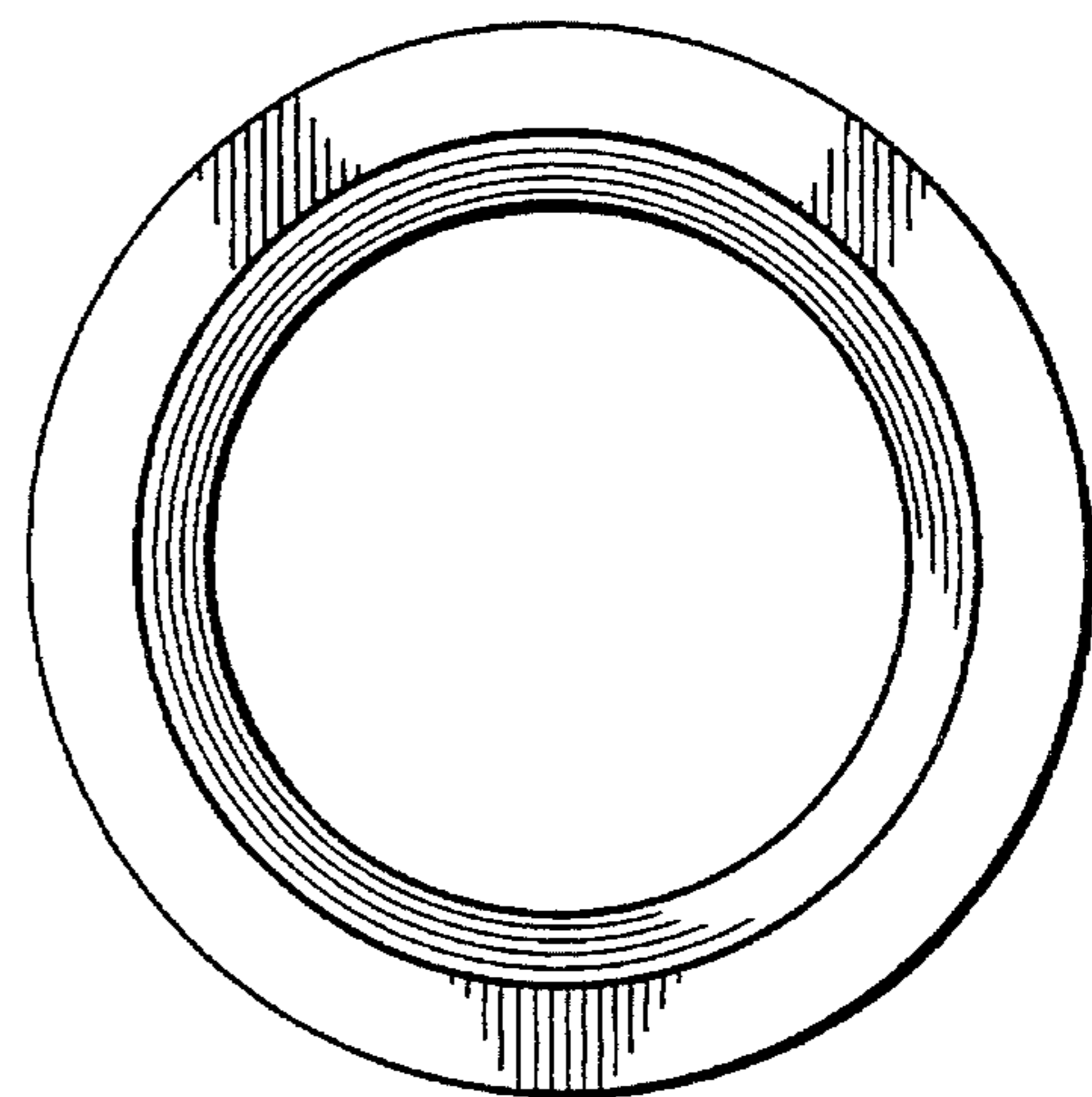


FIG. 5

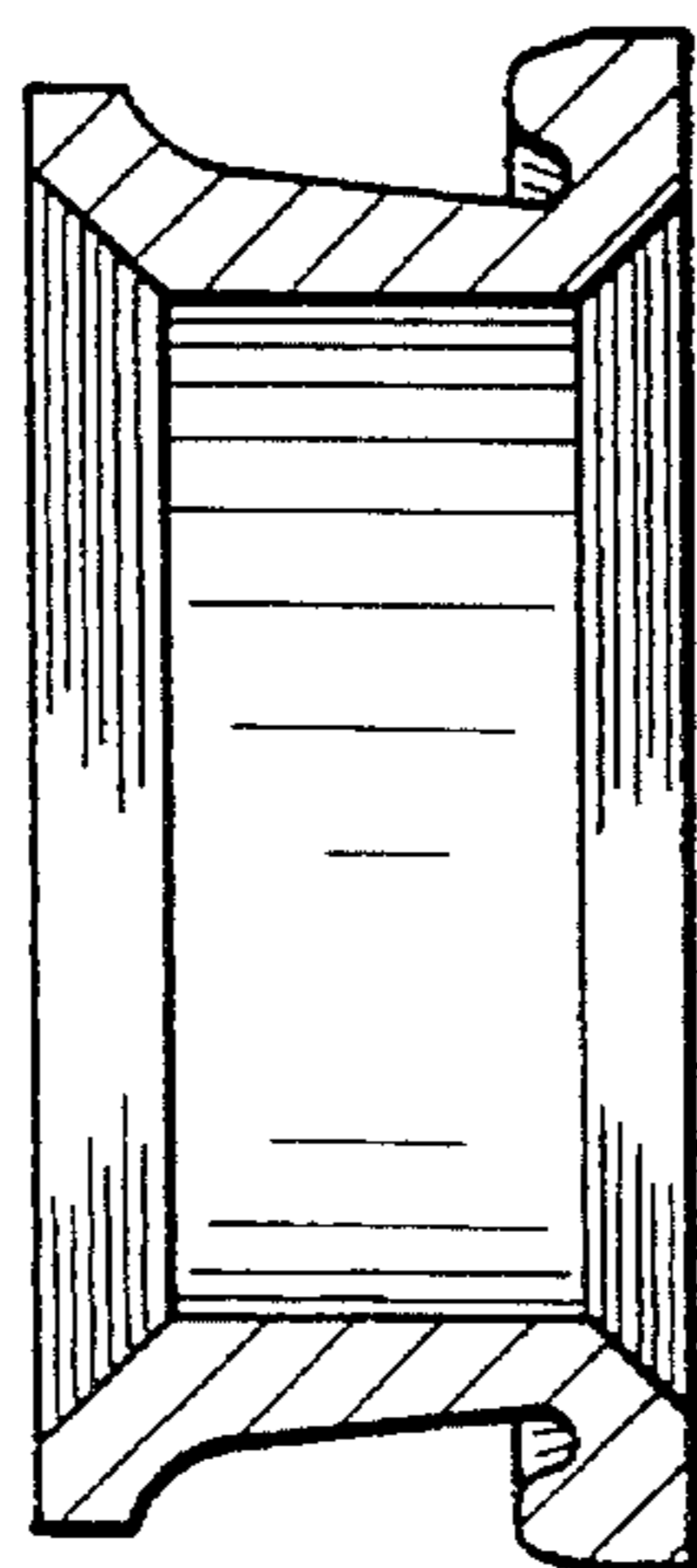


FIG. 6

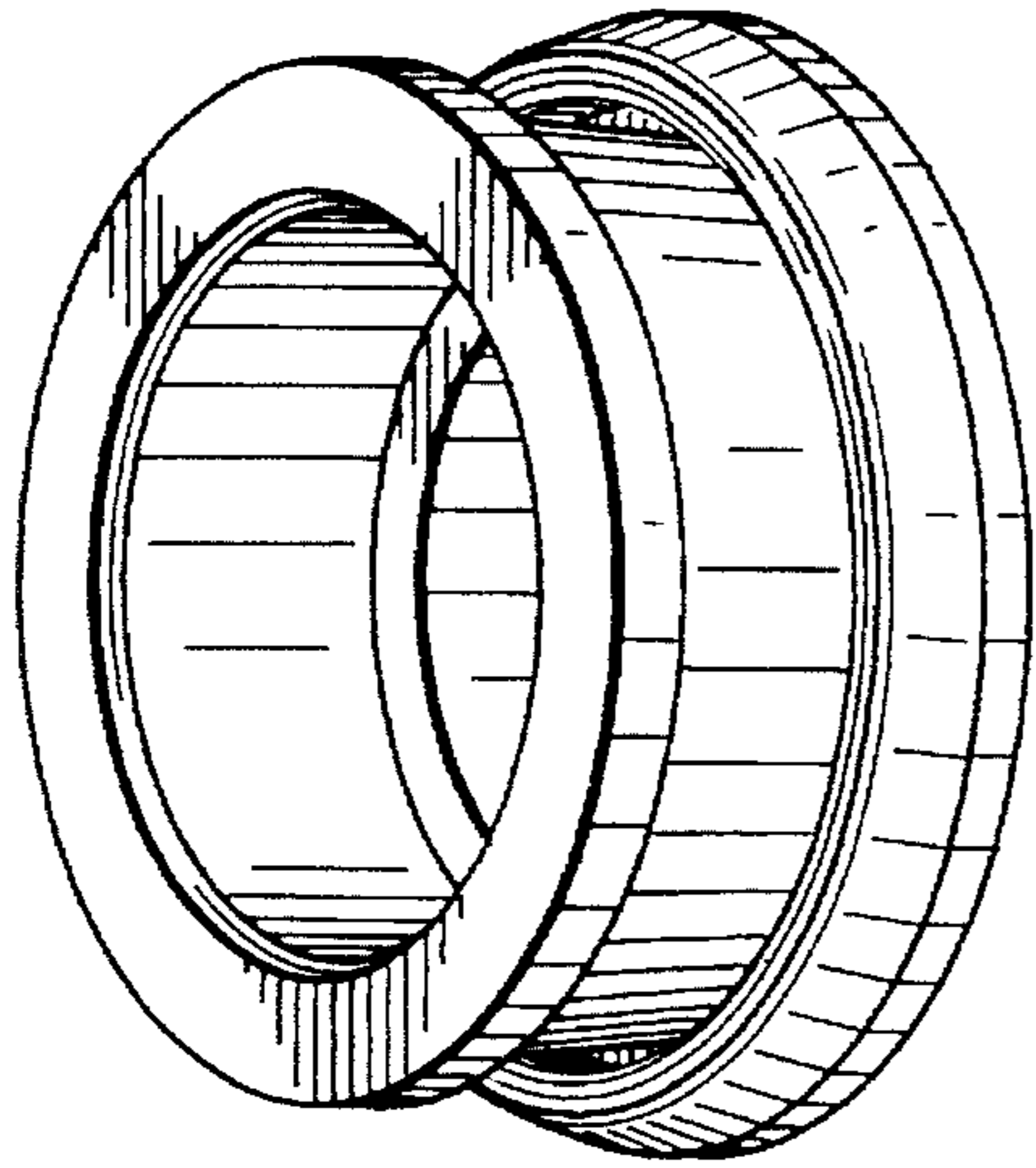


FIG. 7

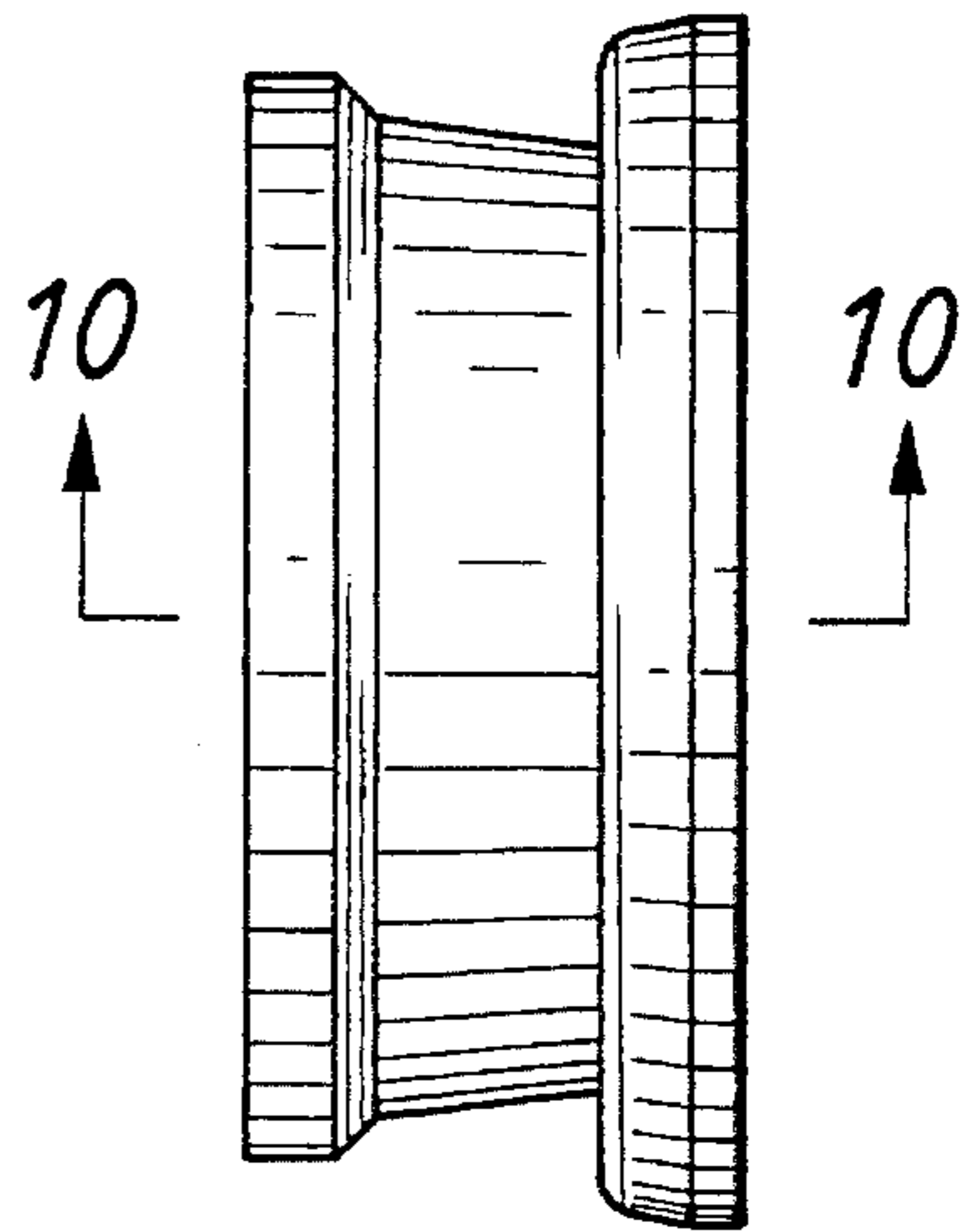


FIG. 8

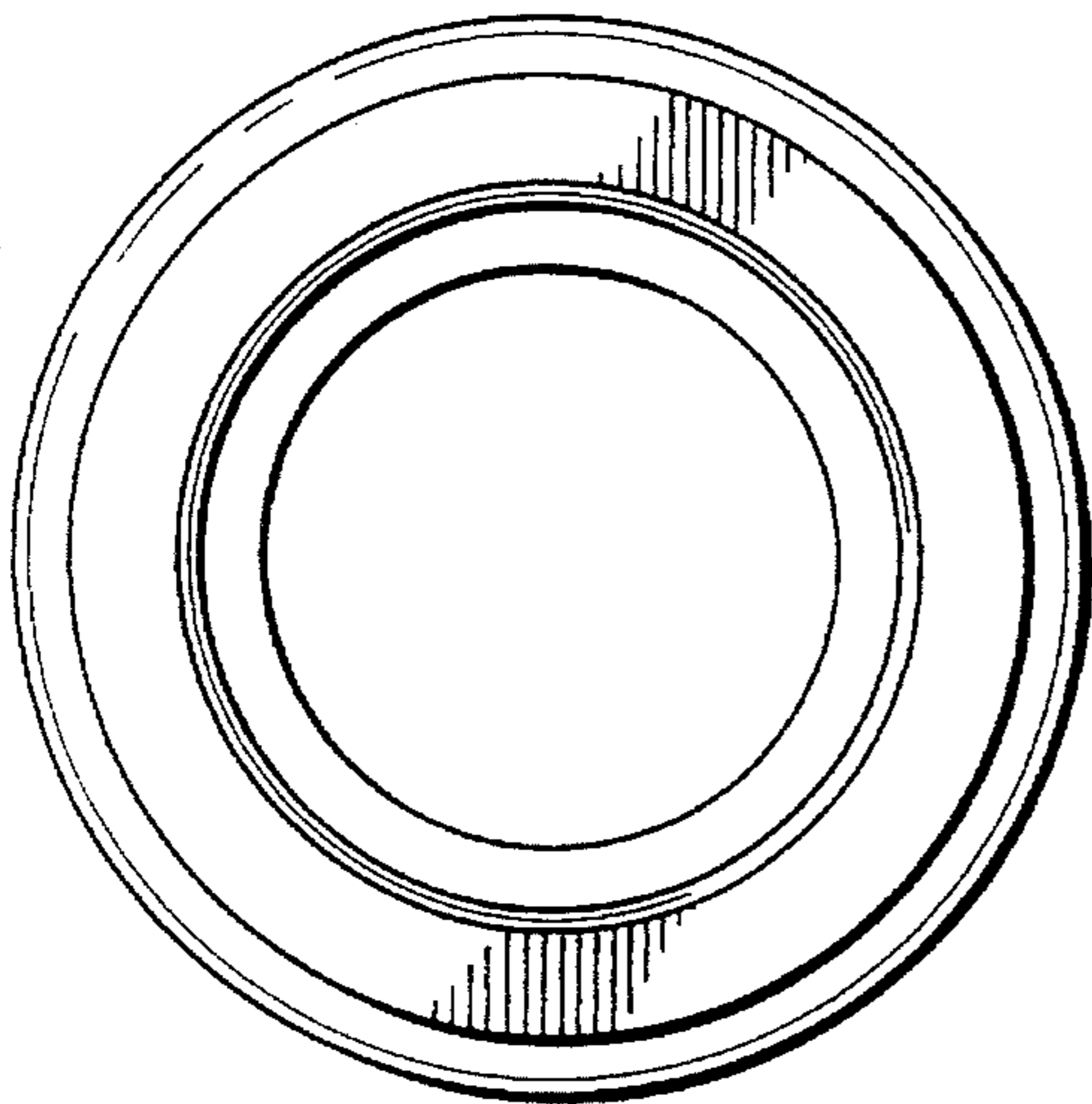


FIG. 9

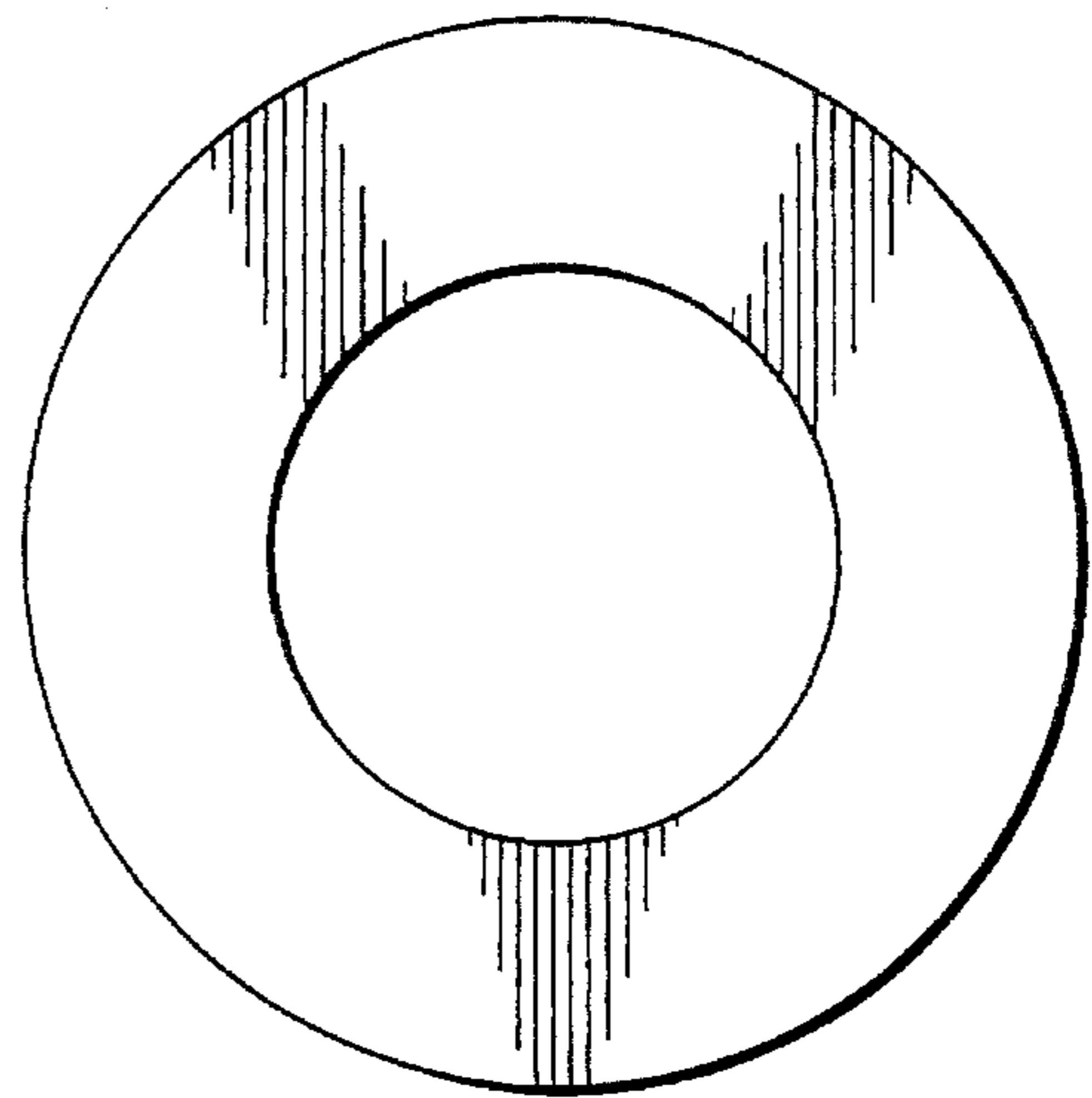


FIG. 10

