



US00D372757S

United States Patent [19]

[11] Patent Number: **Des. 372,757**

Martin et al.

[45] Date of Patent: ****Aug. 13, 1996**

[54] ACTIVITY GYM

FOREIGN PATENT DOCUMENTS

[75] Inventors: **Jeffery G. Martin; Nancy M. Pipik,**
both of Hudson, Ohio

0534058 6/1992 European Pat. Off. .

OTHER PUBLICATIONS

[73] Assignee: **The Little Tikes Company,** Hudson,
Ohio

Catalog pages, Climber; Step 2 Corporation, 2200 Highland Road, P.O. Box 444, Twinsburg, Ohio 44087. Publication date 1993.

[**] Term: **14 Years**

P. 18, Playscapes; Playlearn Products, St. Louis, Missouri. Publication date 1980.

[21] Appl. No.: **40,829**

Catalog page, Toy chest; Little Tikes, Inc., 8705 Freeway Drive, Macedonia, Ohio 44056. Publication date 1980.

[22] Filed: **Jun. 27, 1995**

[52] U.S. Cl. **D21/244**

Primary Examiner—Ted Shooman

Assistant Examiner—Mitchell I. Siegel

[58] Field of Search D21/240–246,
D21/109; 472/116, 117; 482/35, 36

Attorney, Agent, or Firm—Richard B. O’Planick; Lisa B. Riedesel

[56] References Cited

[57] CLAIM

U.S. PATENT DOCUMENTS

The ornamental design for an activity gym, as shown and described.

D. 262,818	1/1982	Works	D21/243
D. 281,985	12/1985	Spirk et al.	D21/109
D. 303,826	10/1989	Aker	D21/244
D. 333,328	2/1993	Aker et al.	D21/114
D. 334,610	4/1993	Aker	D21/244
D. 340,098	10/1993	Petersheim	D21/242
D. 340,099	10/1993	Warren et al.	D21/243
D. 343,438	1/1994	Fish	D21/244
D. 344,121	2/1994	Warren	D21/240
D. 344,773	3/1994	Aker et al.	D21/244
D. 347,458	5/1994	Cunard et al.	D21/243
D. 355,693	2/1995	Aker et al.	D21/244
D. 358,860	5/1995	Pipik	D21/245
D. 361,614	8/1995	Aker et al.	D21/244
5,326,328	7/1994	Robinson	482/35 X

DESCRIPTION

FIG. 1 is a top left front perspective view of an activity gym showing our new design;

FIG. 2 is a right side elevational view thereof;

FIG. 3 is a left side elevational view thereof;

FIG. 4 is a rear elevational view thereof;

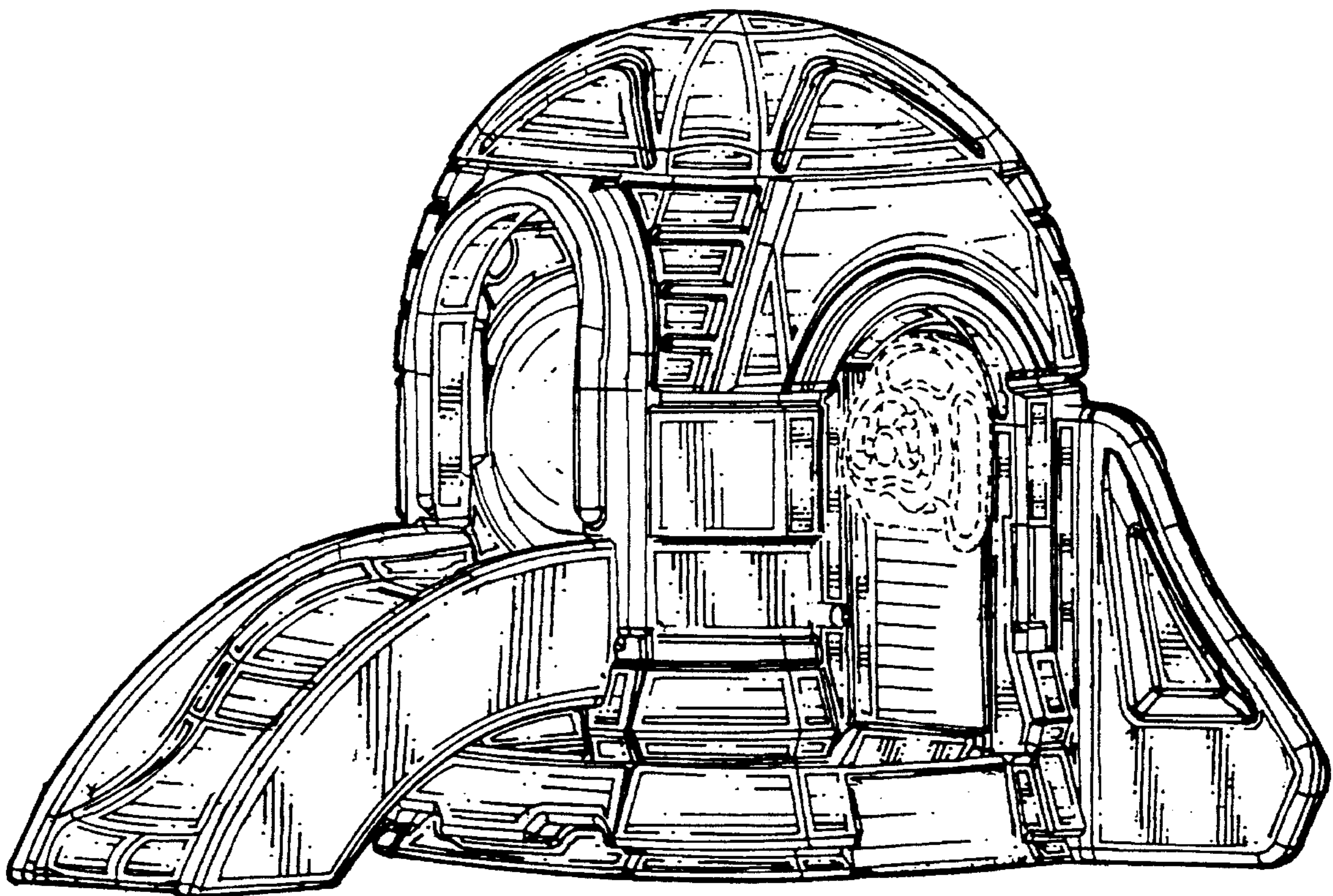
FIG. 5 is a front elevational view thereof;

FIG. 6 is a top plan view thereof; and,

FIG. 7 is a bottom plan view thereof.

The broken lines are for illustrative purposes only and forms no part of the claimed design.

1 Claim, 5 Drawing Sheets



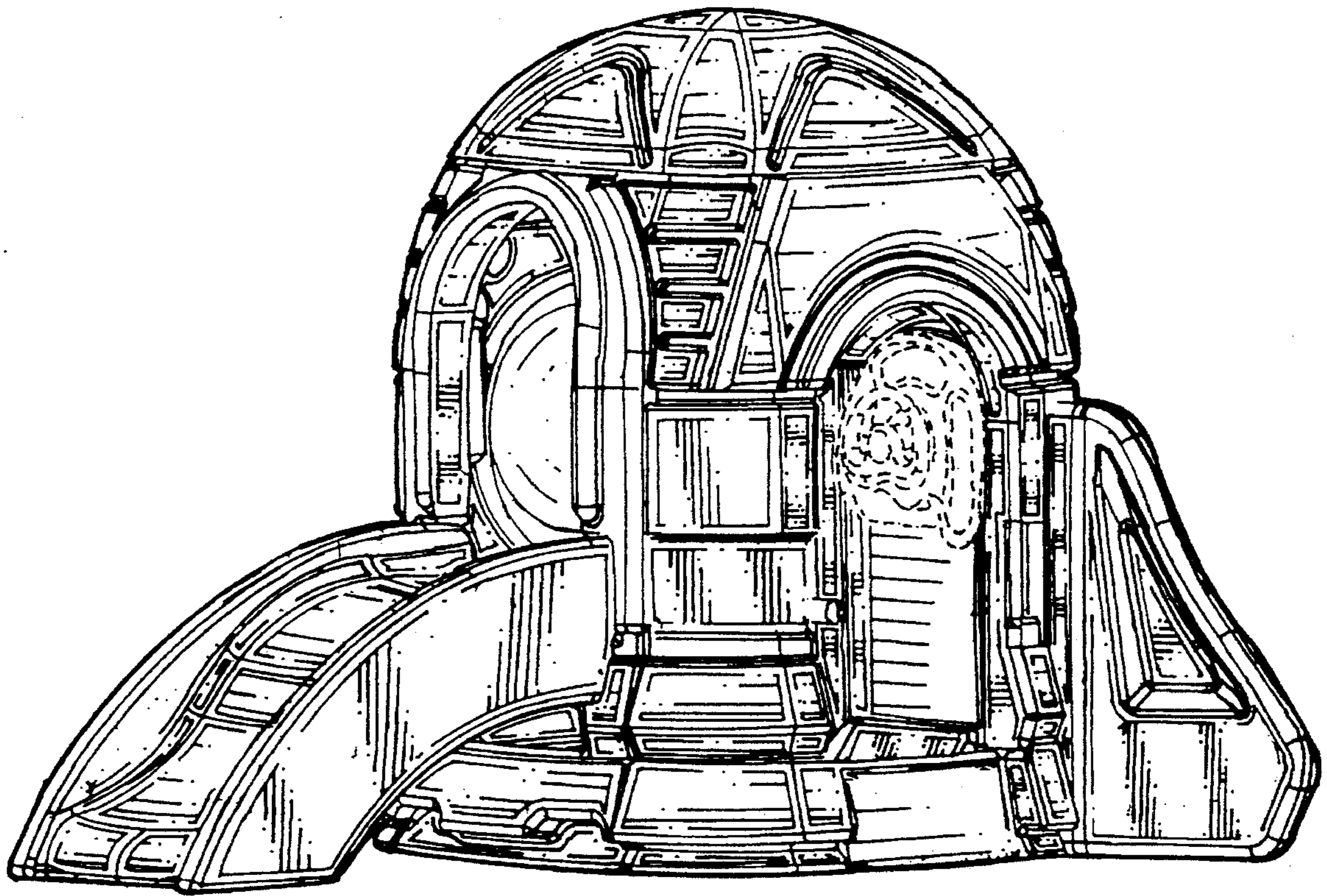


FIG. 1

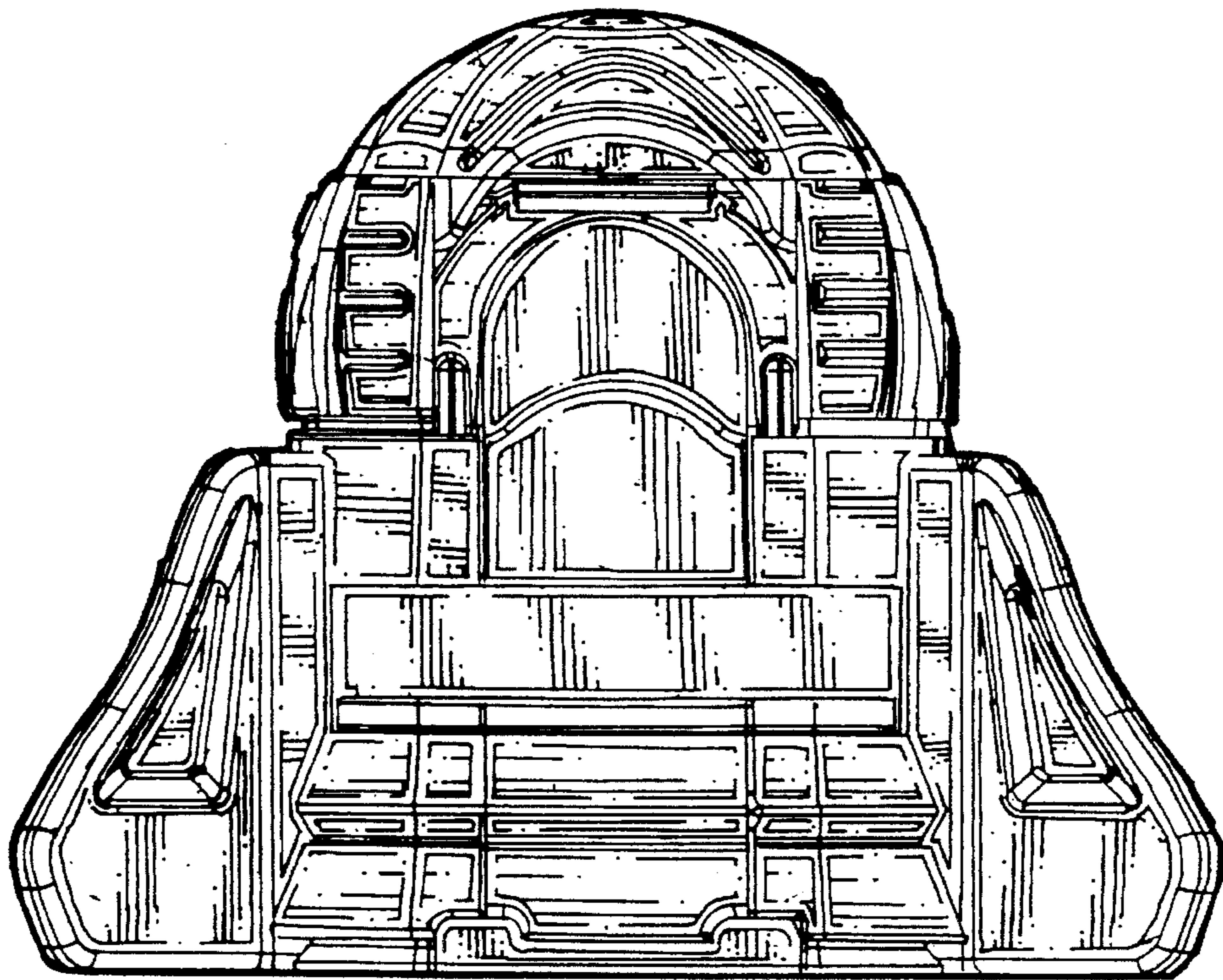


FIG. 2

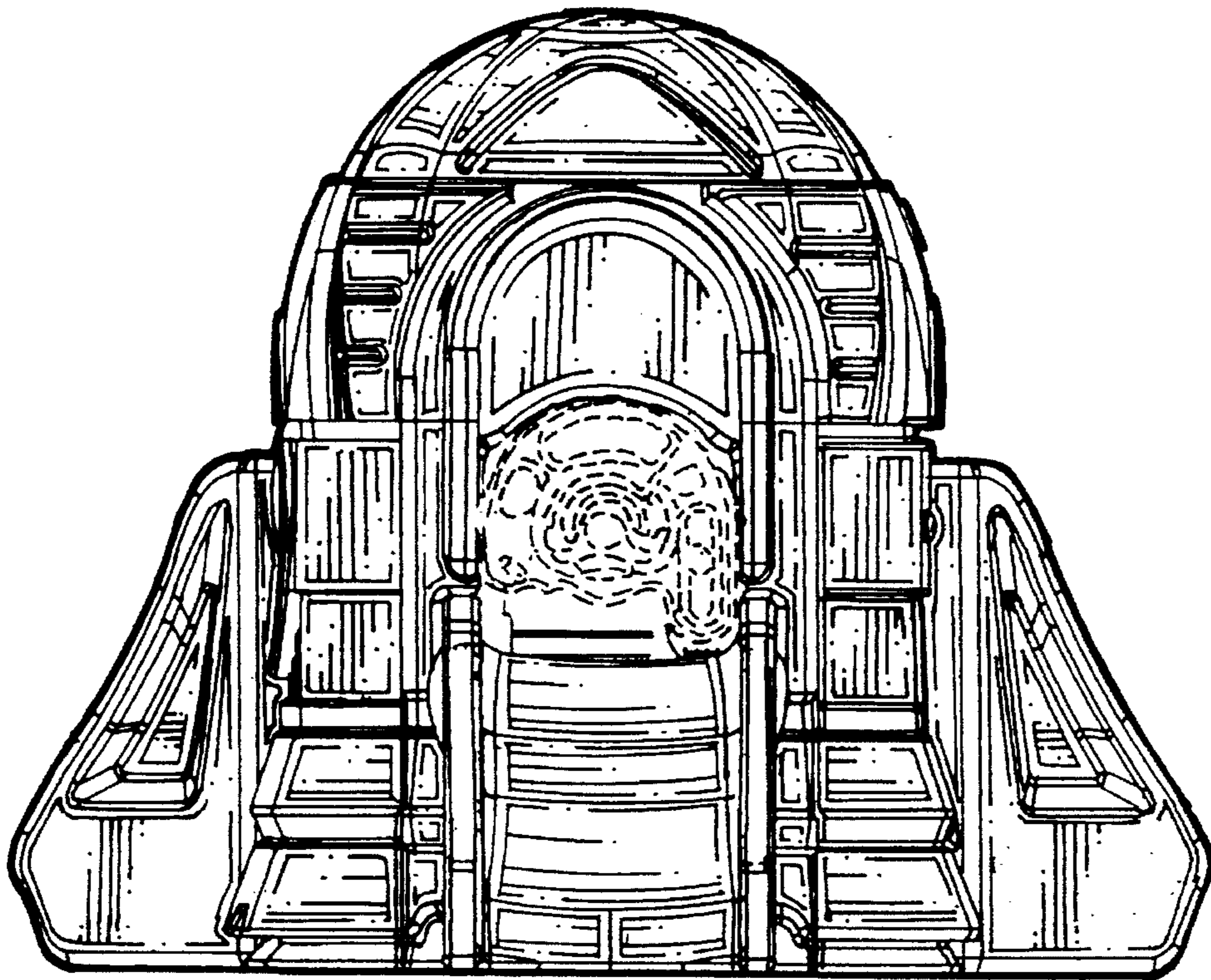


FIG. 3

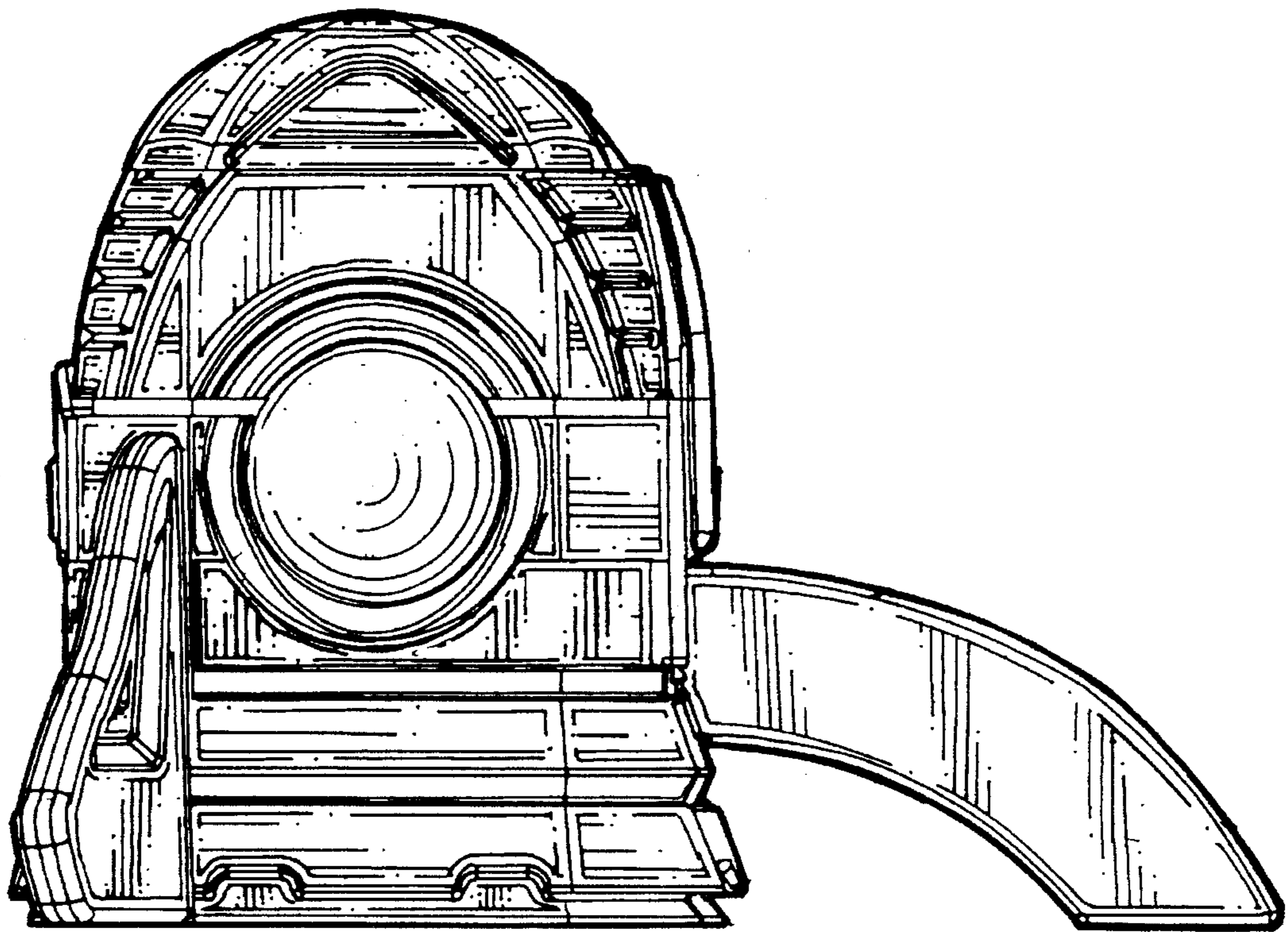


FIG. 4

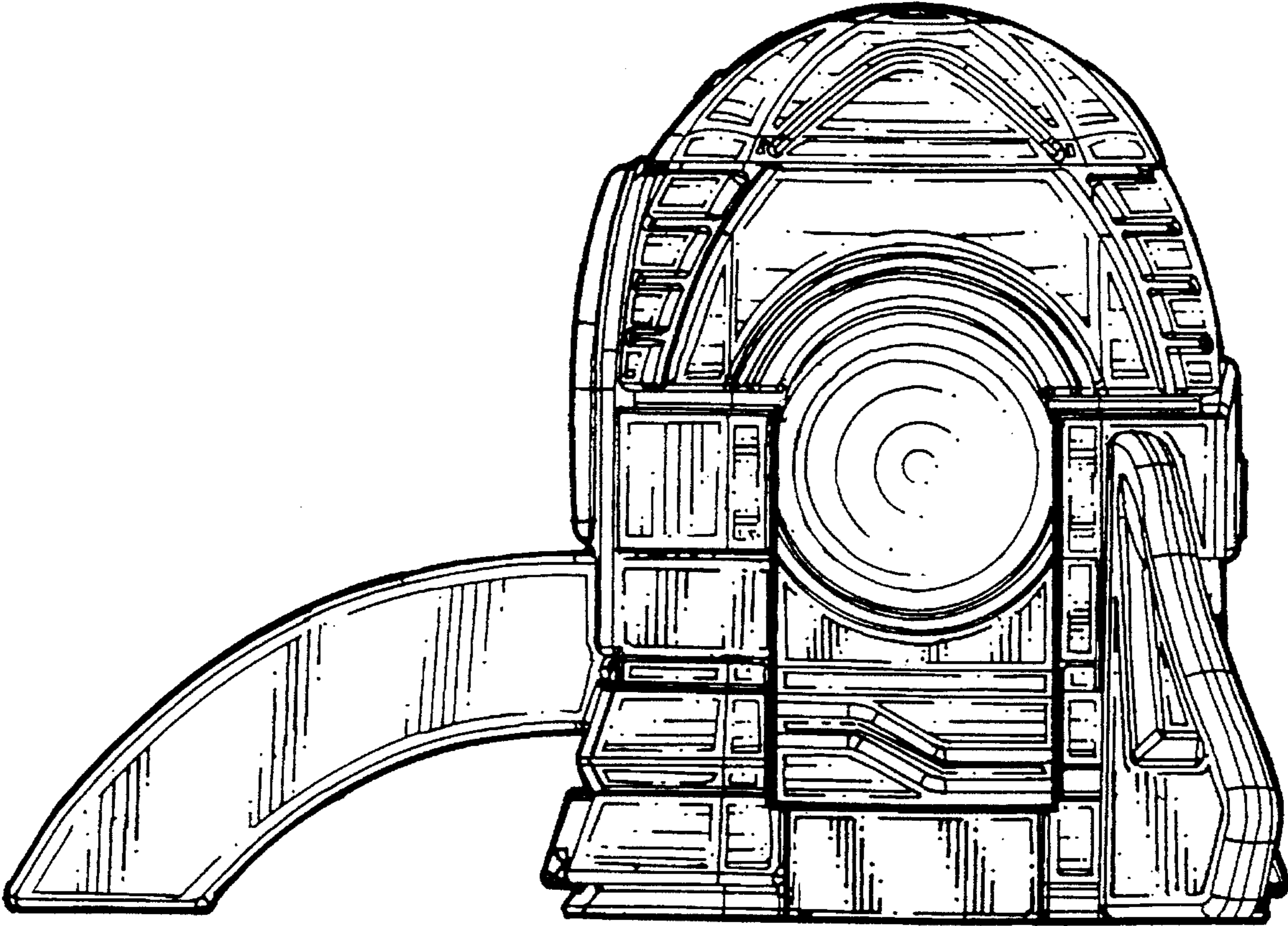


FIG. 5

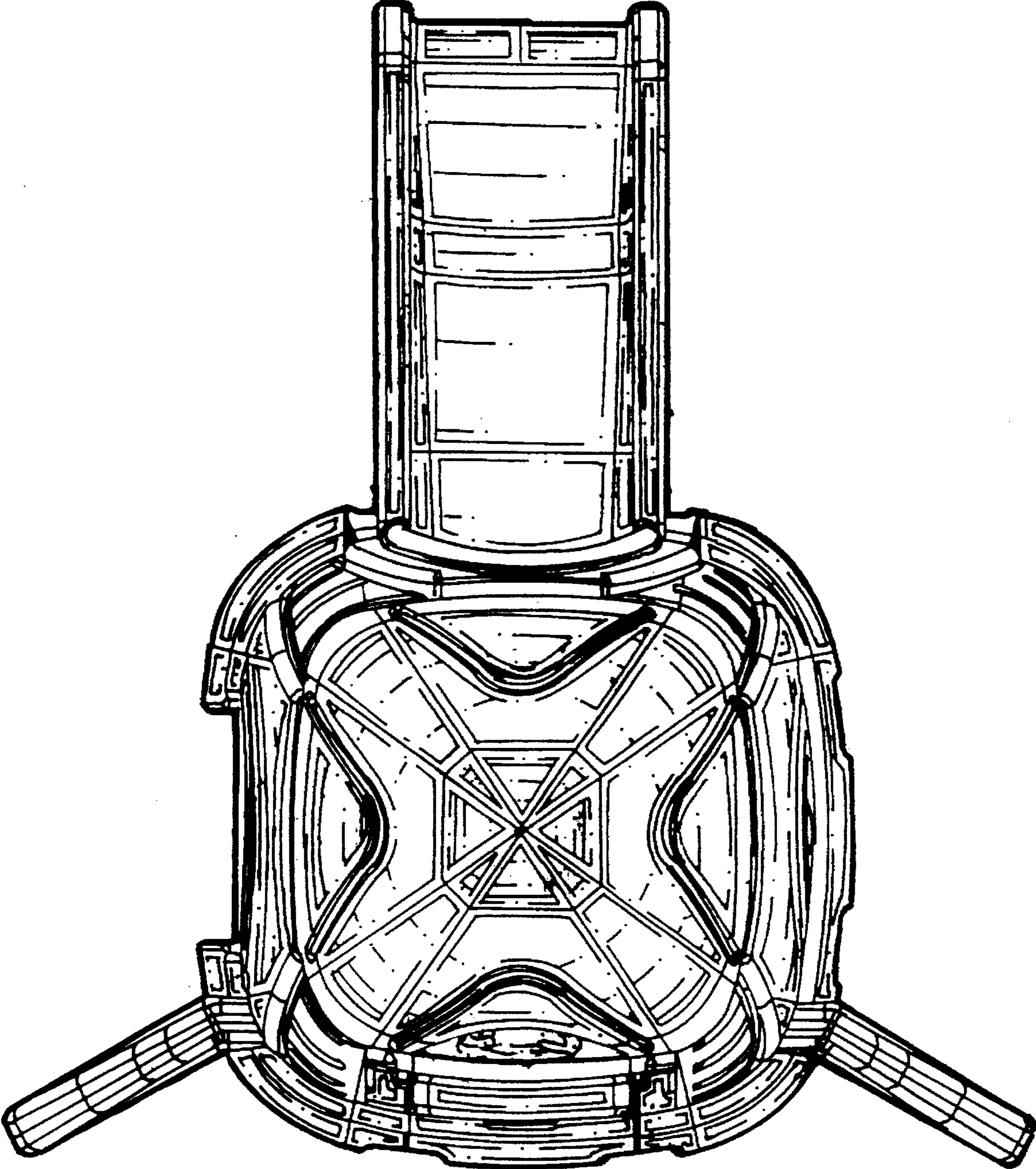


FIG. 6

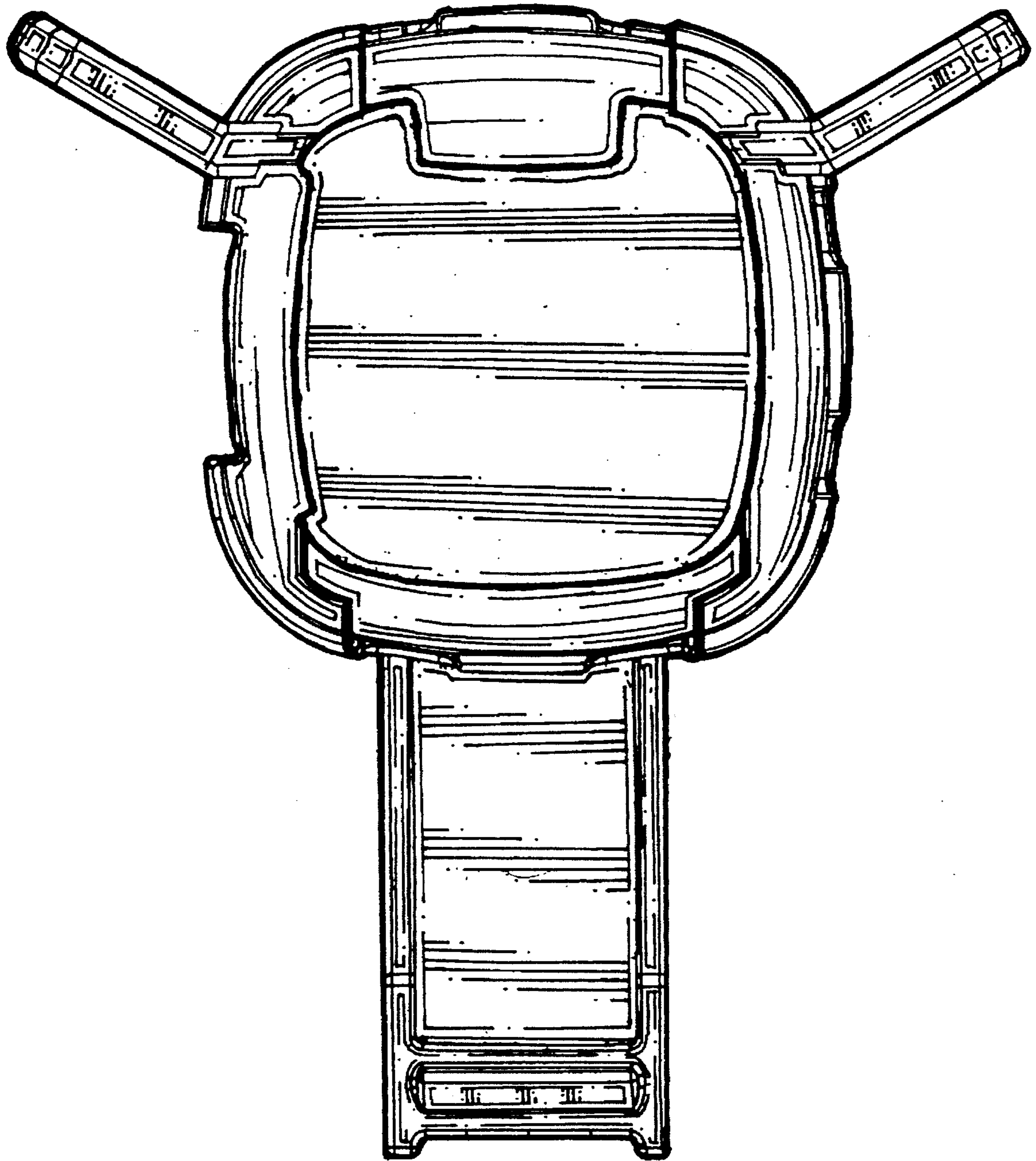


FIG. 7