



US00D372752S

# United States Patent [19]

[11] Patent Number: **Des. 372,752**

**Raudman**

[45] Date of Patent: **\*\*Aug. 13, 1996**

## [54] GOLF PUTTER HEAD

[76] Inventor: **Charles J. Raudman**, 4451 Caterpillar Rd., Redding, Calif. 96003

[\*\*] Term: **14 Years**

[21] Appl. No.: **37,716**

[22] Filed: **Apr. 18, 1995**

[52] U.S. Cl. .... **D21/219**

[58] Field of Search ..... D21/217-219;  
273/167 A, 167 B, 167 C, 167 D, 167 E,  
167 F, 167 G, 167 H, 167 I, 167 J, 167 K,  
176, 164.1

## [56] References Cited

### U.S. PATENT DOCUMENTS

D. 229,208	11/1973	Phinny .....	D21/218
D. 304,060	10/1989	Smith .....	D21/217
D. 316,129	4/1991	Bryson .....	D21/217
D. 339,181	9/1993	Grim, Jr. ....	D21/218
D. 351,443	10/1994	Caugh et al. ....	D21/219
D. 360,008	7/1995	Solheim .....	D21/217
4,248,430	2/1981	Kepler .....	273/162 D
4,580,784	4/1986	Brill .....	273/162 E

*Primary Examiner*—Dominic Simone  
*Assistant Examiner*—Mitchell I. Siegel  
*Attorney, Agent, or Firm*—Coudert Brothers

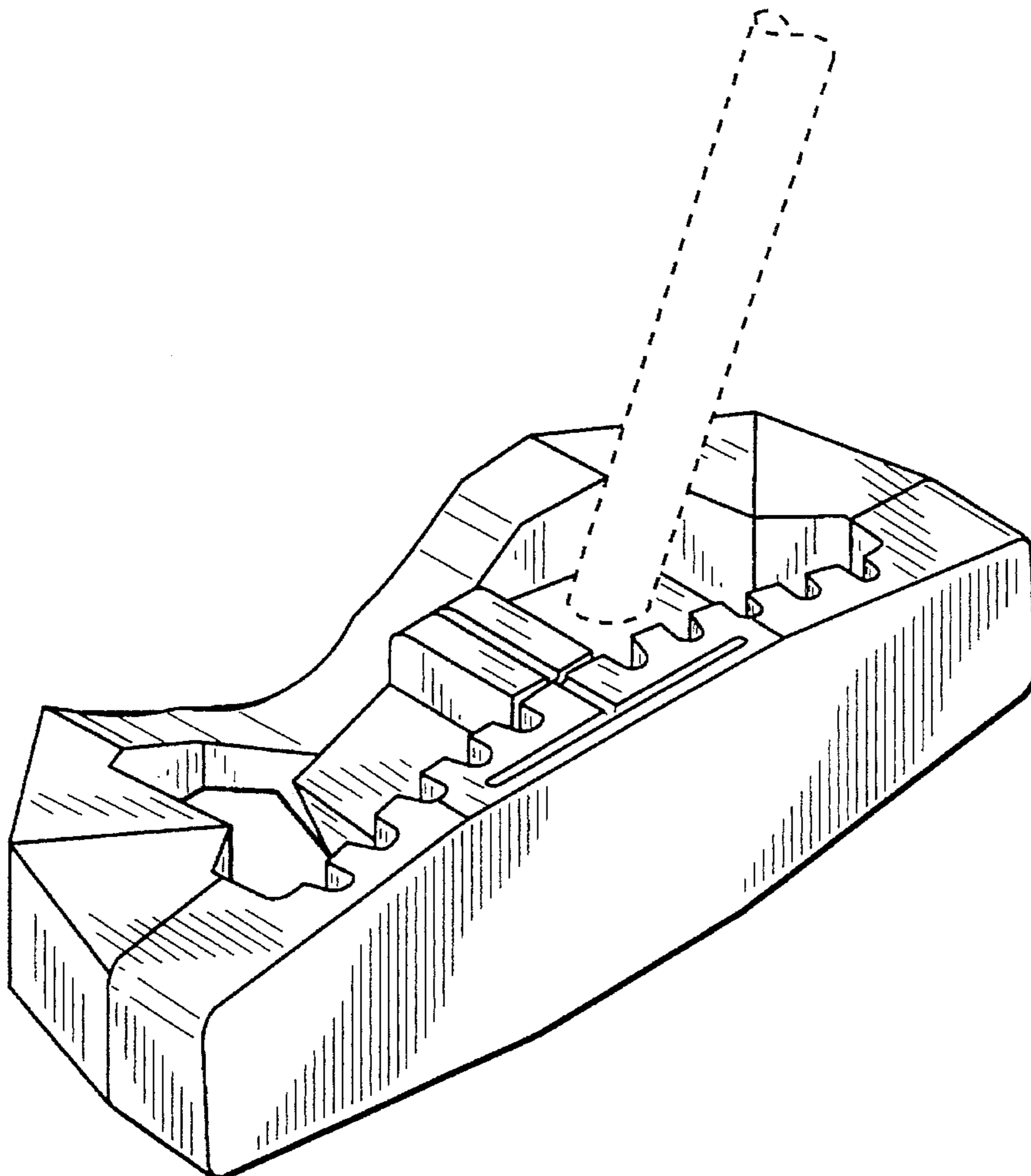
## [57] CLAIM

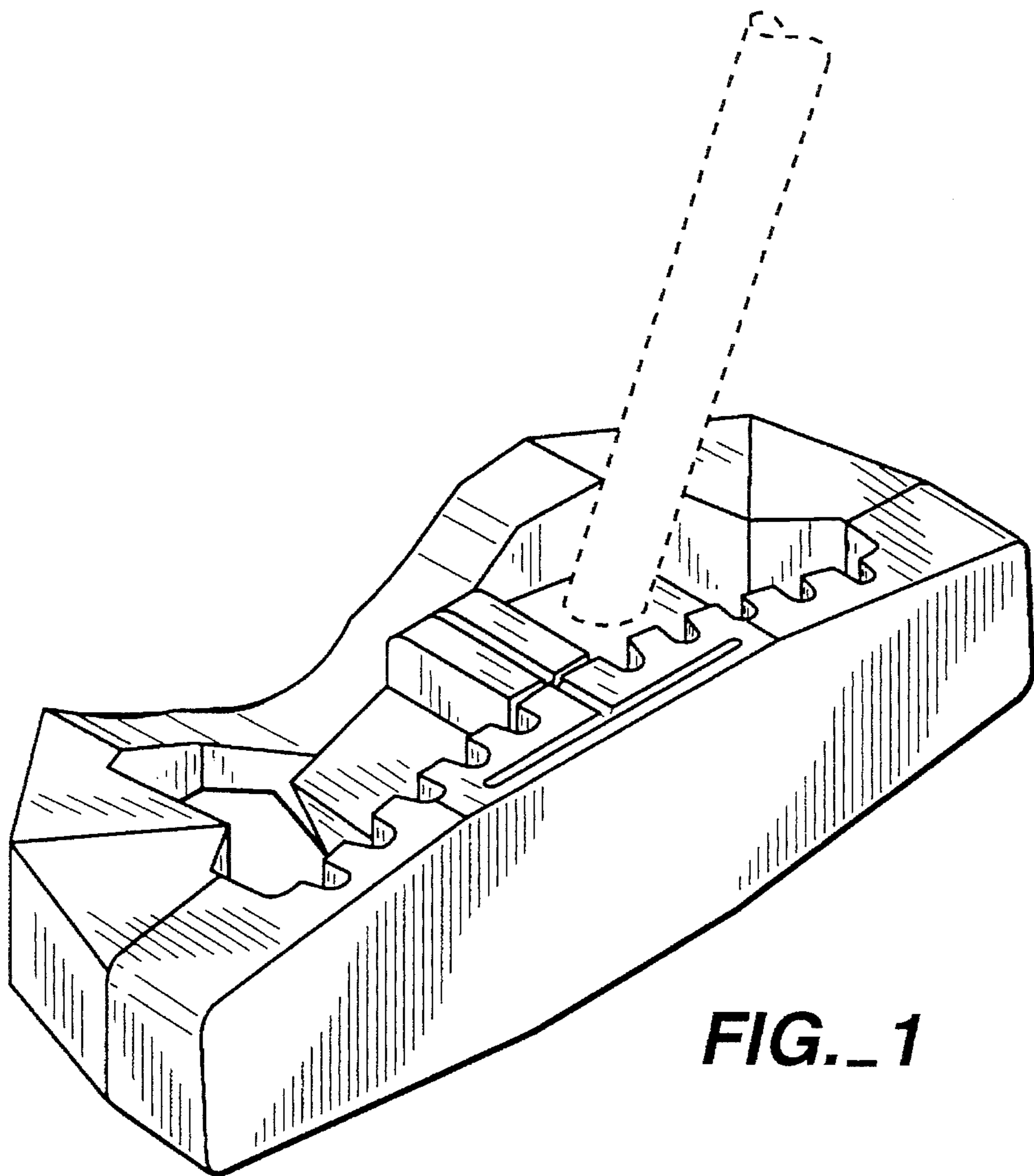
The ornamental design for a golf putter head, as shown and described.

## DESCRIPTION

FIG. 1 is a perspective view of a golf putter head showing my new design;  
FIG. 2 is a front view in elevation of the golf putter of FIG. 1;  
FIG. 3 is a right side view in elevation of the golf putter of FIG. 1, the undisclosed opposite side being a mirror image;  
FIG. 4 is a rear view in elevation of the golf putter of FIG. 1;  
FIG. 5 is a top plan view of the golf putter of FIG. 1; and  
FIG. 6 is a bottom plan view of the golf putter of FIG. 1.  
The broken line showing of a fragmented shaft on FIG. 1 is for illustrative purposes only and forms no part of the claimed design.

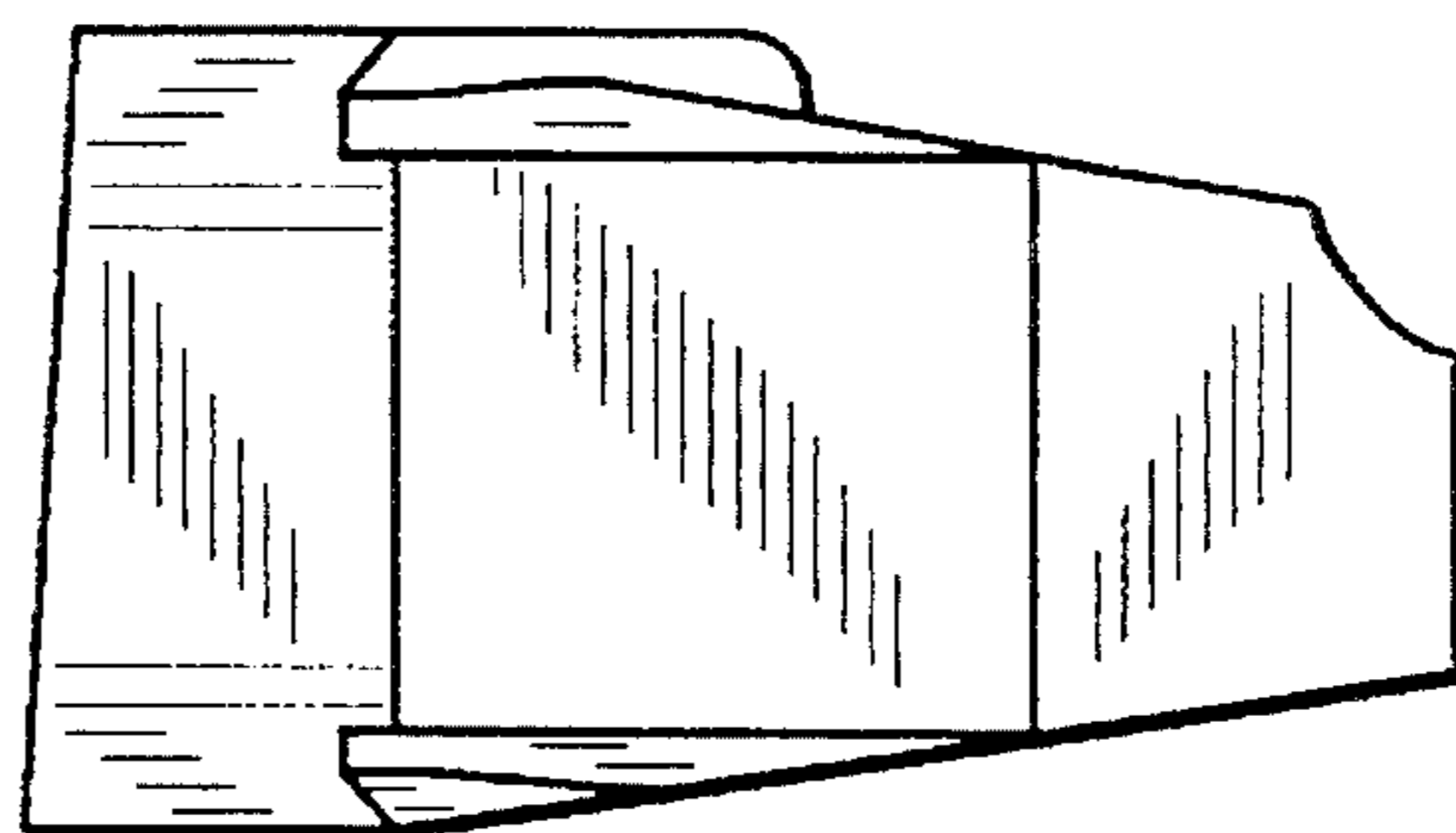
1 Claim, 2 Drawing Sheets

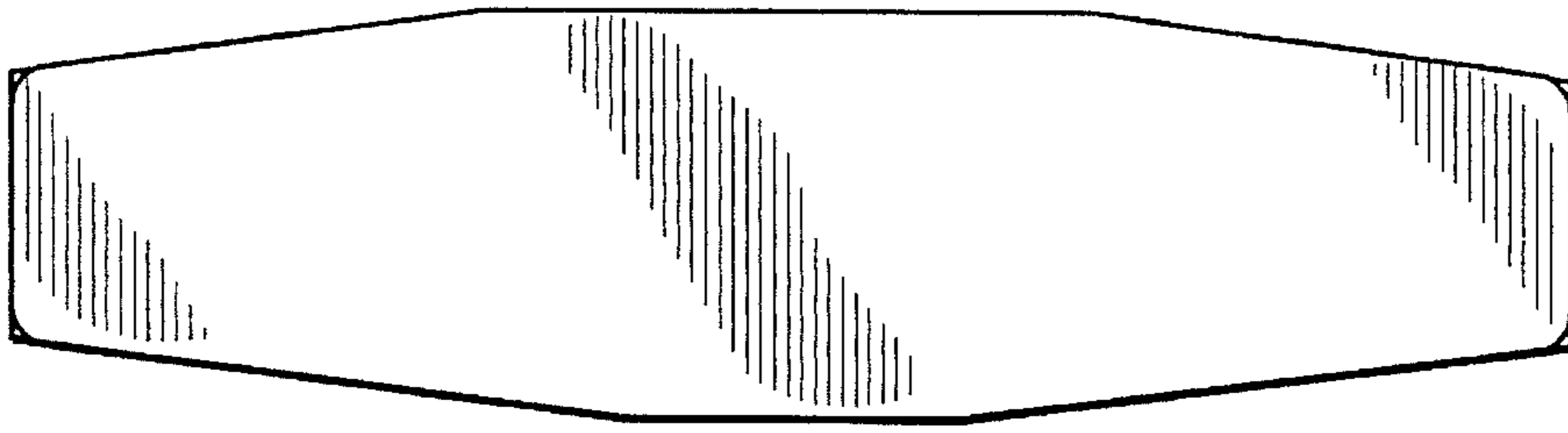




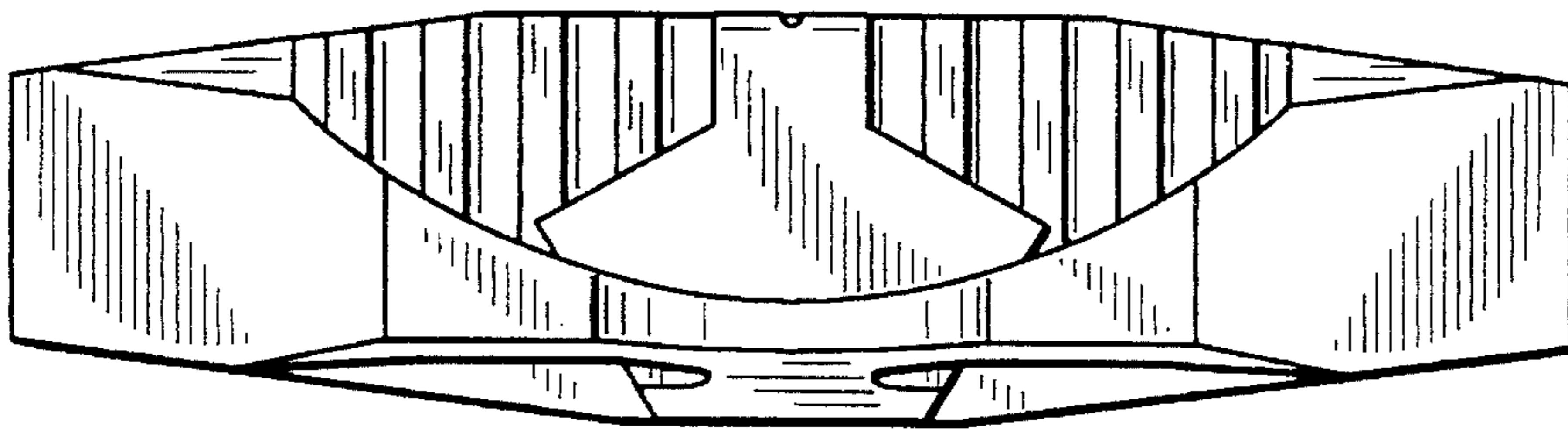
**FIG. 1**

**FIG. 3**

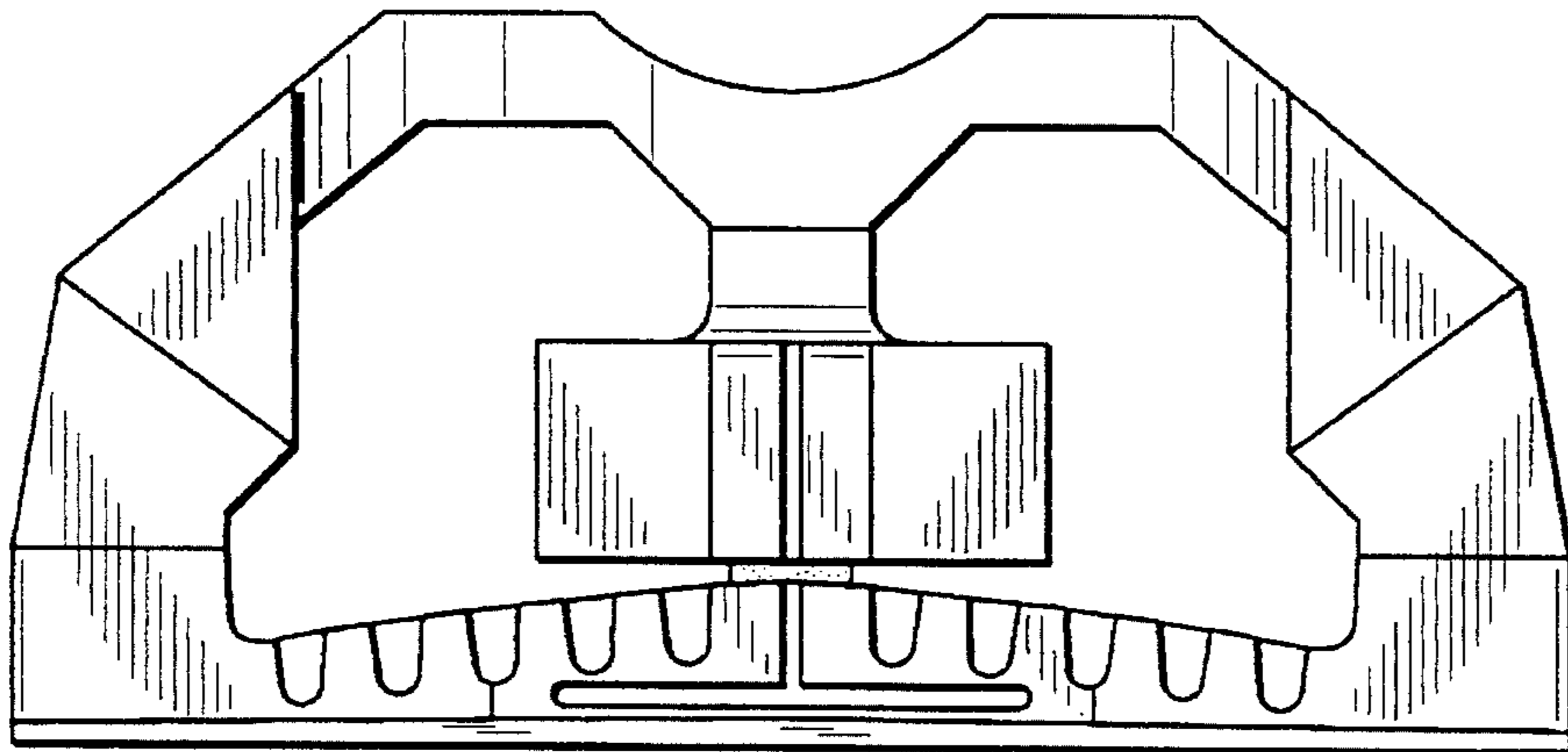




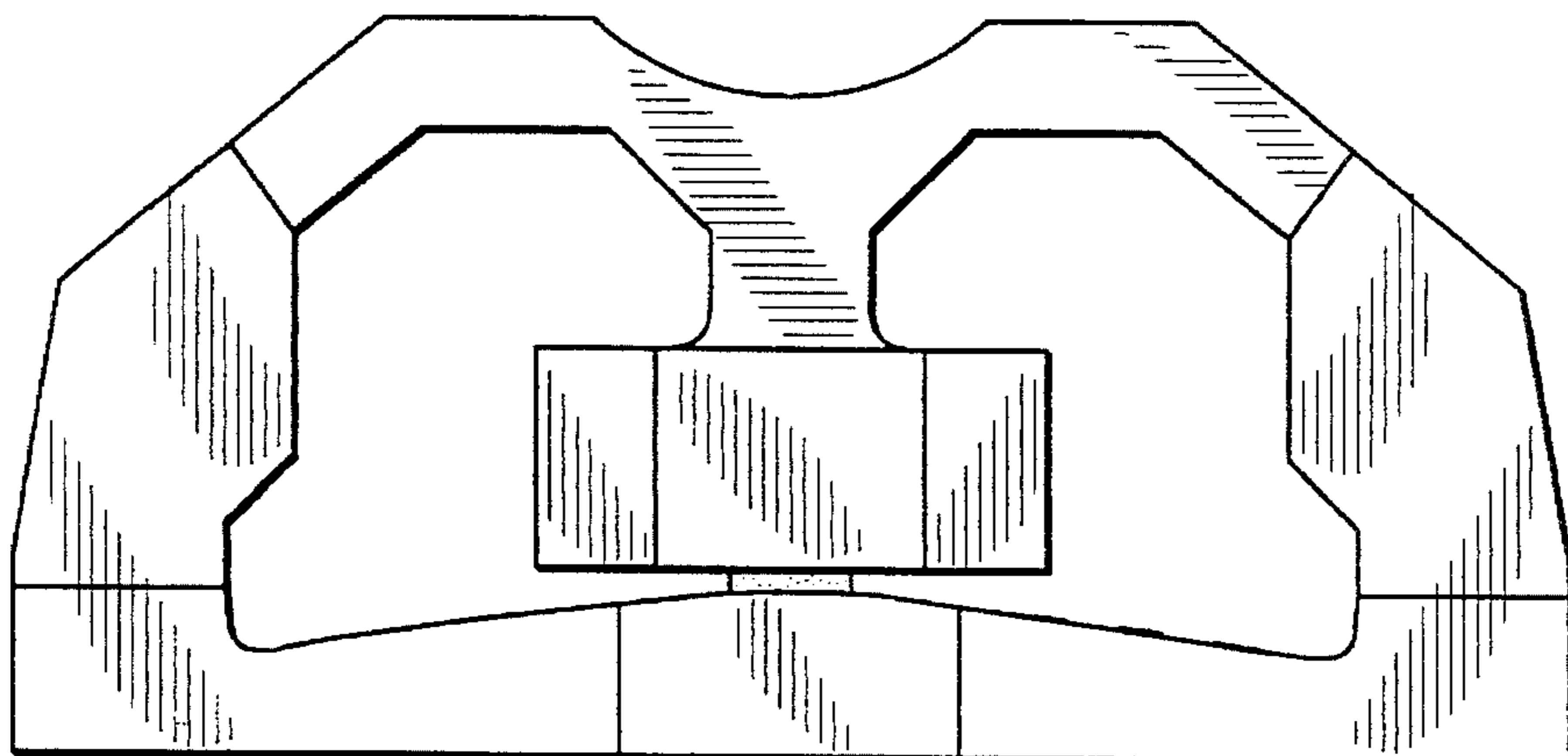
**FIG.\_2**



**FIG.\_4**



**FIG.\_5**



**FIG.\_6**