



US00D372749S

# United States Patent [19]

Klundt

[11] Patent Number: **Des. 372,749**

[45] Date of Patent: **\*\*Aug. 13, 1996**

[54] **AMUSEMENT BALL**

[75] Inventor: **Kalvin K. Klundt**, Lagrange, Ky.

[73] Assignee: **Aqua-Leisure Industries, Inc.**, Avon, Mass.

[\*\*] Term: **14 Years**

[21] Appl. No.: **36,648**

[22] Filed: **Mar. 23, 1995**

[52] U.S. Cl. .... **D21/203**

[58] Field of Search ..... D21/203, 204, D21/59; 273/58 R, 58 A, 58 B, 58 BA, 58 J, 58 D, 58 K, 415; D32/40

[56] **References Cited**

**U.S. PATENT DOCUMENTS**

D. 305,788	1/1990	Herren	.....	D20/31
D. 317,489	6/1991	Stillinger	.....	D21/203
D. 349,576	8/1994	Heiligenstein et al.	.....	D24/211
D. 364,716	11/1995	Lazar	.....	D32/40
744,718	11/1903	Cassidy	.	
1,548,531	8/1925	Knight	.....	273/58 A
2,078,382	4/1937	Hanshaw	.....	273/53
2,266,427	12/1941	Levy-Hawes	.....	218/29
2,521,703	8/1950	Emmitt	.....	273/58
2,783,046	2/1957	Lein	.....	273/58
3,106,397	10/1963	Lacey	.....	273/58
4,131,276	12/1978	Judkins	.....	273/58
4,267,217	5/1981	Brooker	.....	428/11

4,522,396	6/1985	Girard et al.	.....	273/58 K
4,962,926	10/1990	Chen	.....	273/58
4,974,844	12/1990	Richards	.....	273/DIG. 20
4,991,841	2/1991	Paranto	.....	273/58
5,028,053	7/1991	Leopold	.....	273/411
5,066,018	11/1991	Hinton	.....	273/344
5,199,716	4/1993	DeFluiter et al.	.....	273/344
5,297,981	3/1994	Maxim et al.	.....	446/437

*Primary Examiner*—Prabhakar G. Deshmukh  
*Assistant Examiner*—Cheri Cohen  
*Attorney, Agent, or Firm*—Wolf, Greenfield & Sacks, P.C.

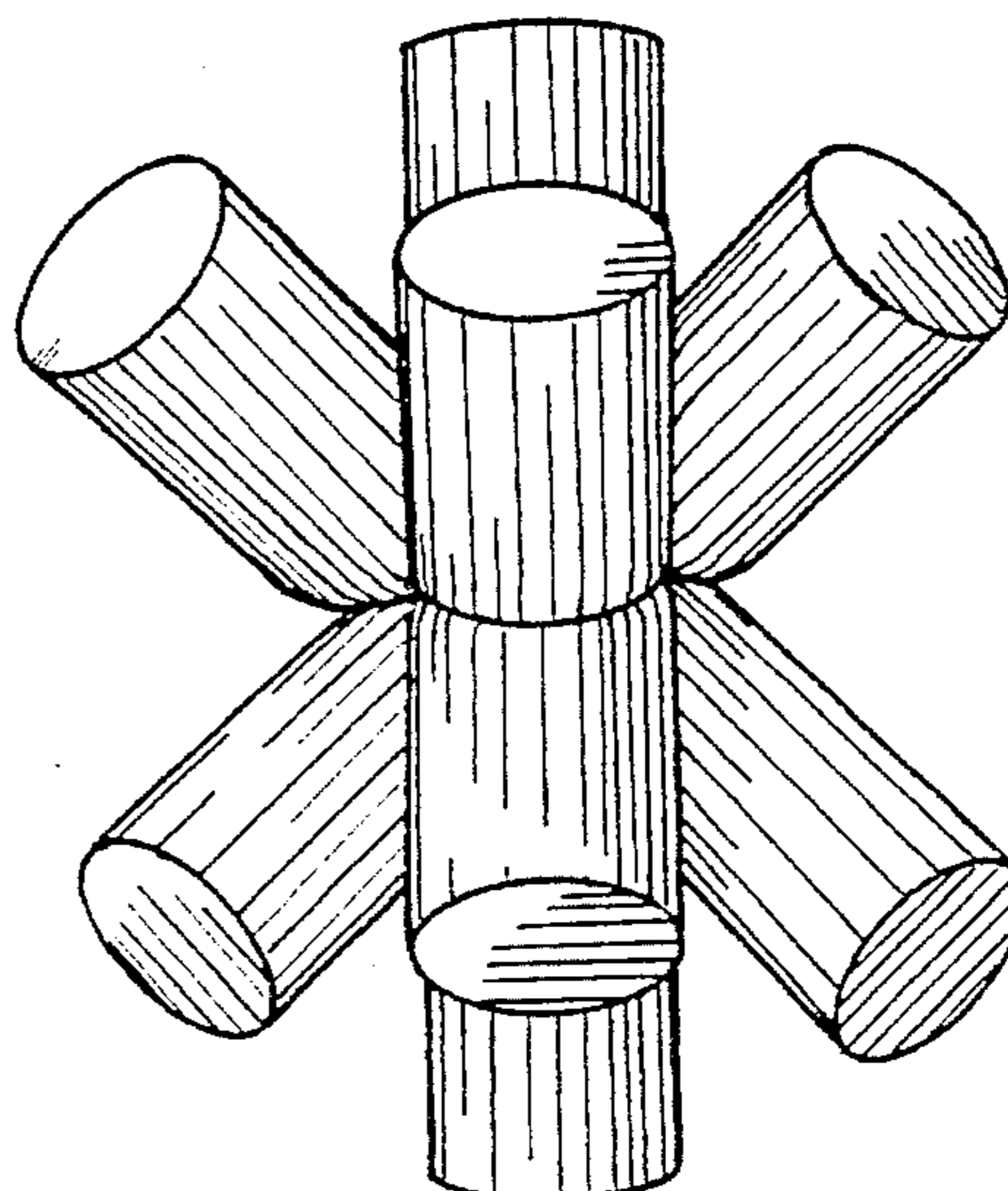
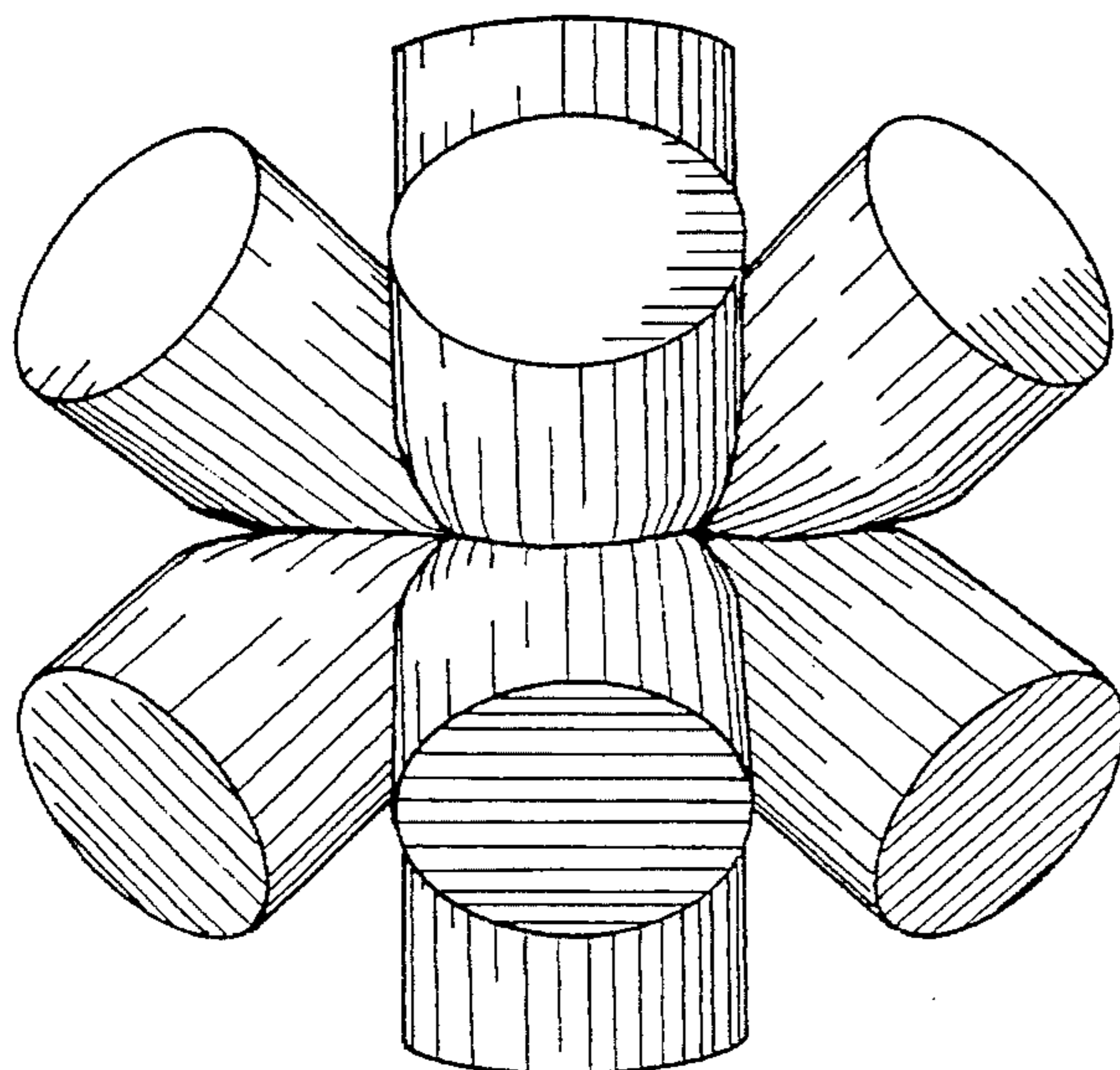
[57] **CLAIM**

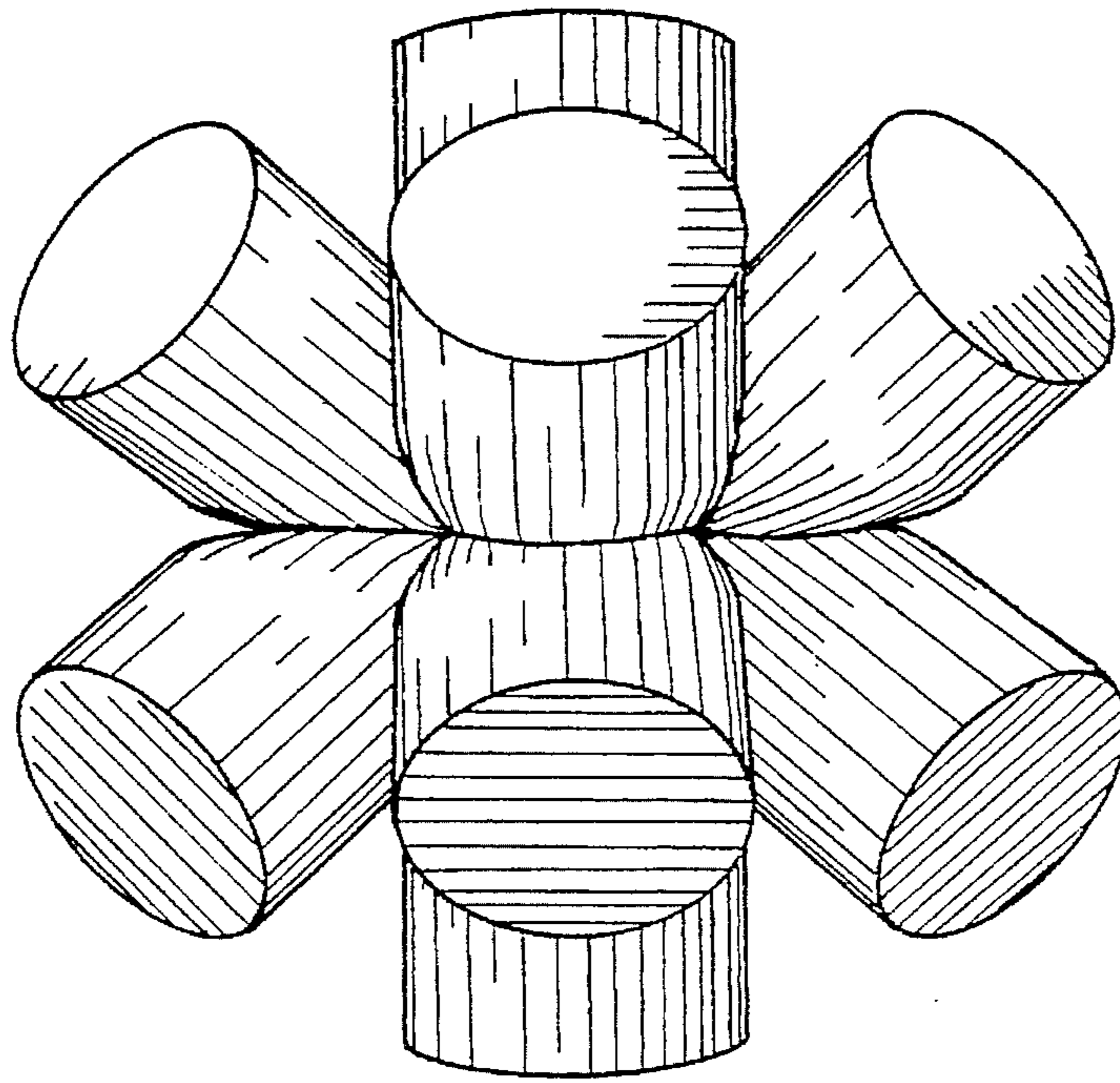
The ornamental design for an amusement ball, as shown and described.

**DESCRIPTION**

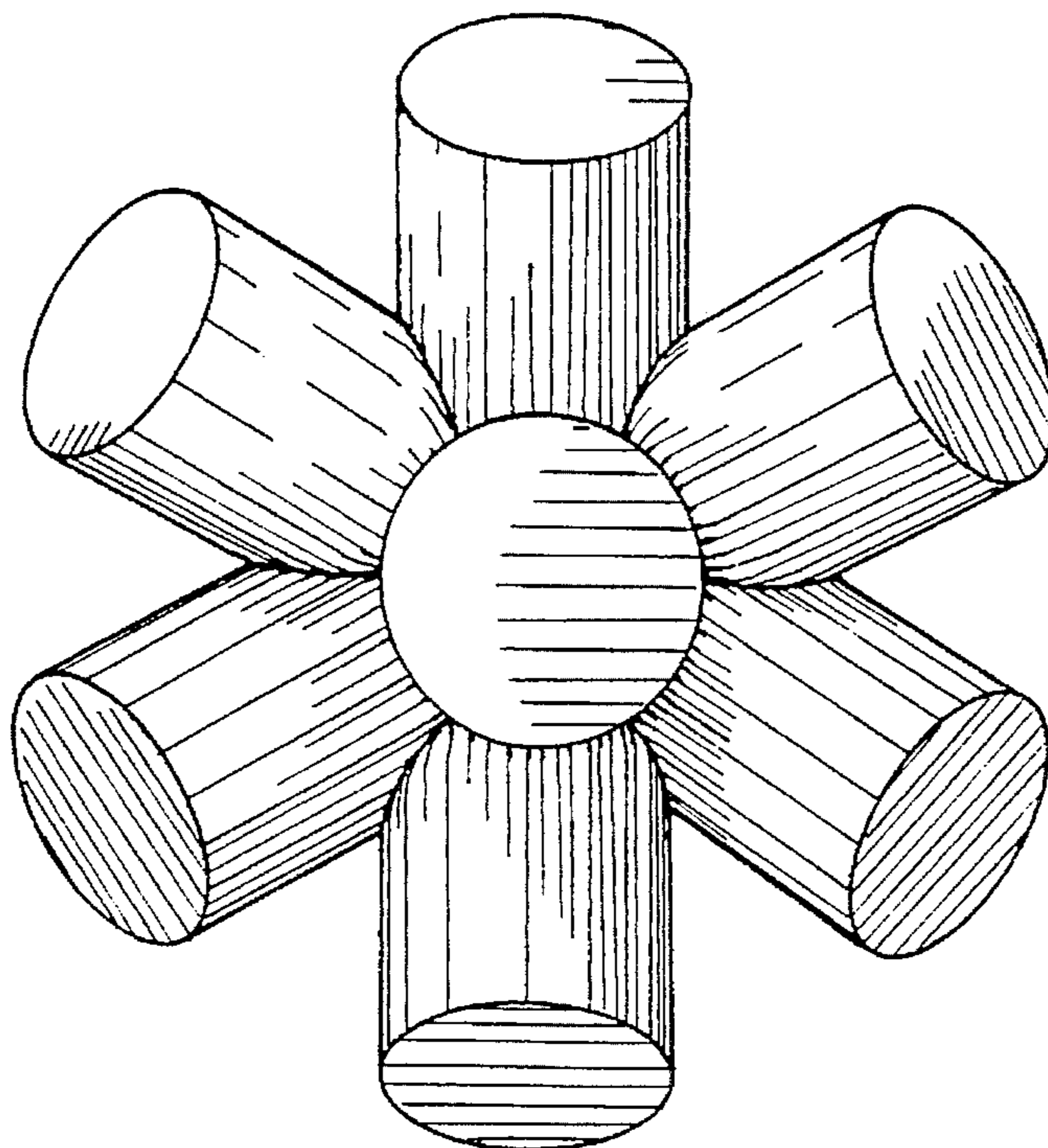
FIG. 1 is a side elevational view of one embodiment of an amusement ball design;  
FIG. 2 is a top plan view thereof, wherein the bottom plan view is a mirror image thereof;  
FIG. 3 is a top side perspective view thereof;  
FIG. 4 is a side perspective view thereof;  
FIG. 5 is a side elevational view of a second embodiment of an amusement ball design;  
FIG. 6 is a top plan view thereof, wherein the bottom plan view is a mirror image thereof;  
FIG. 7 is a top side perspective view thereof; and,  
FIG. 8 is a side perspective view thereof.

**1 Claim, 4 Drawing Sheets**

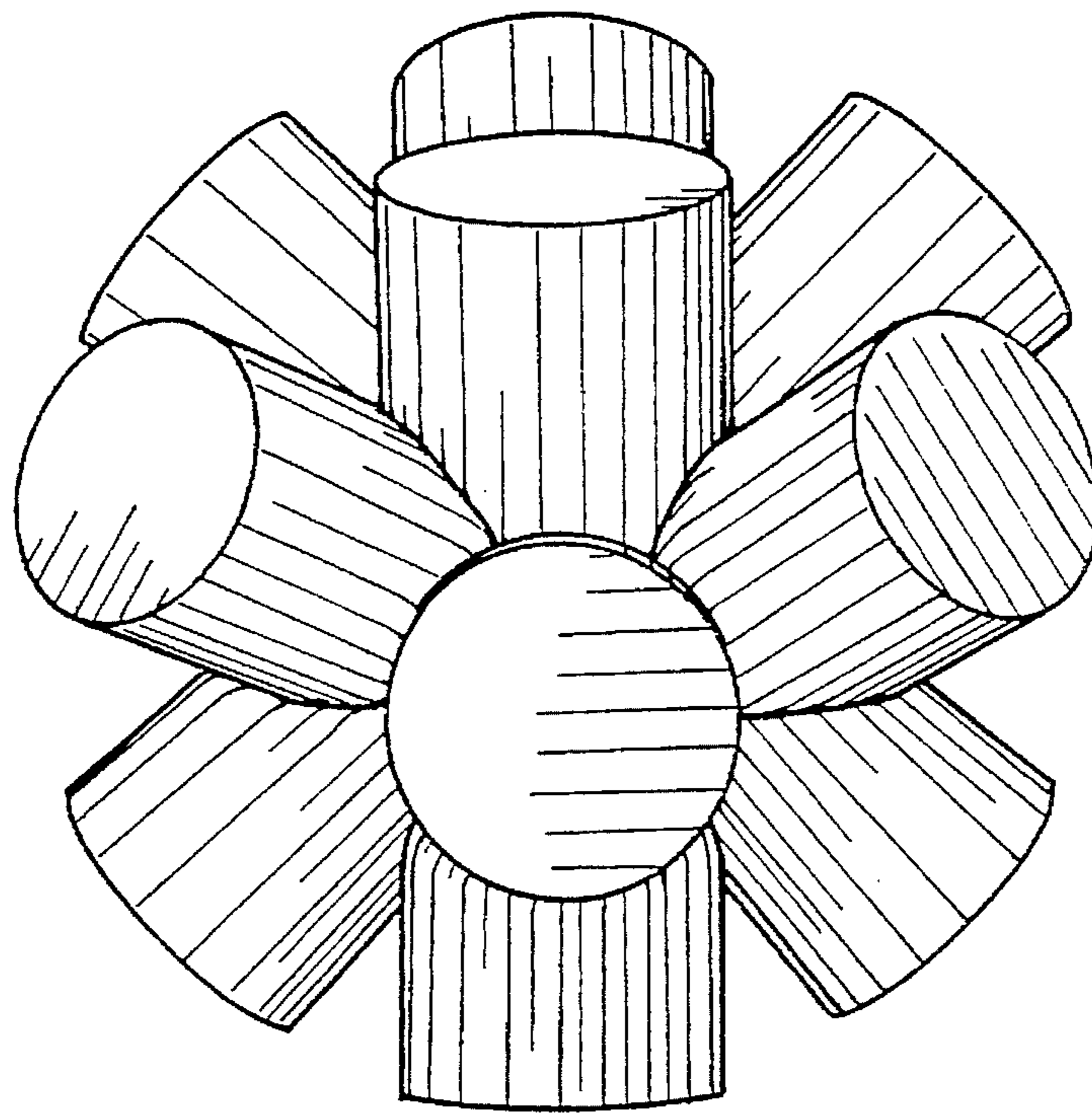




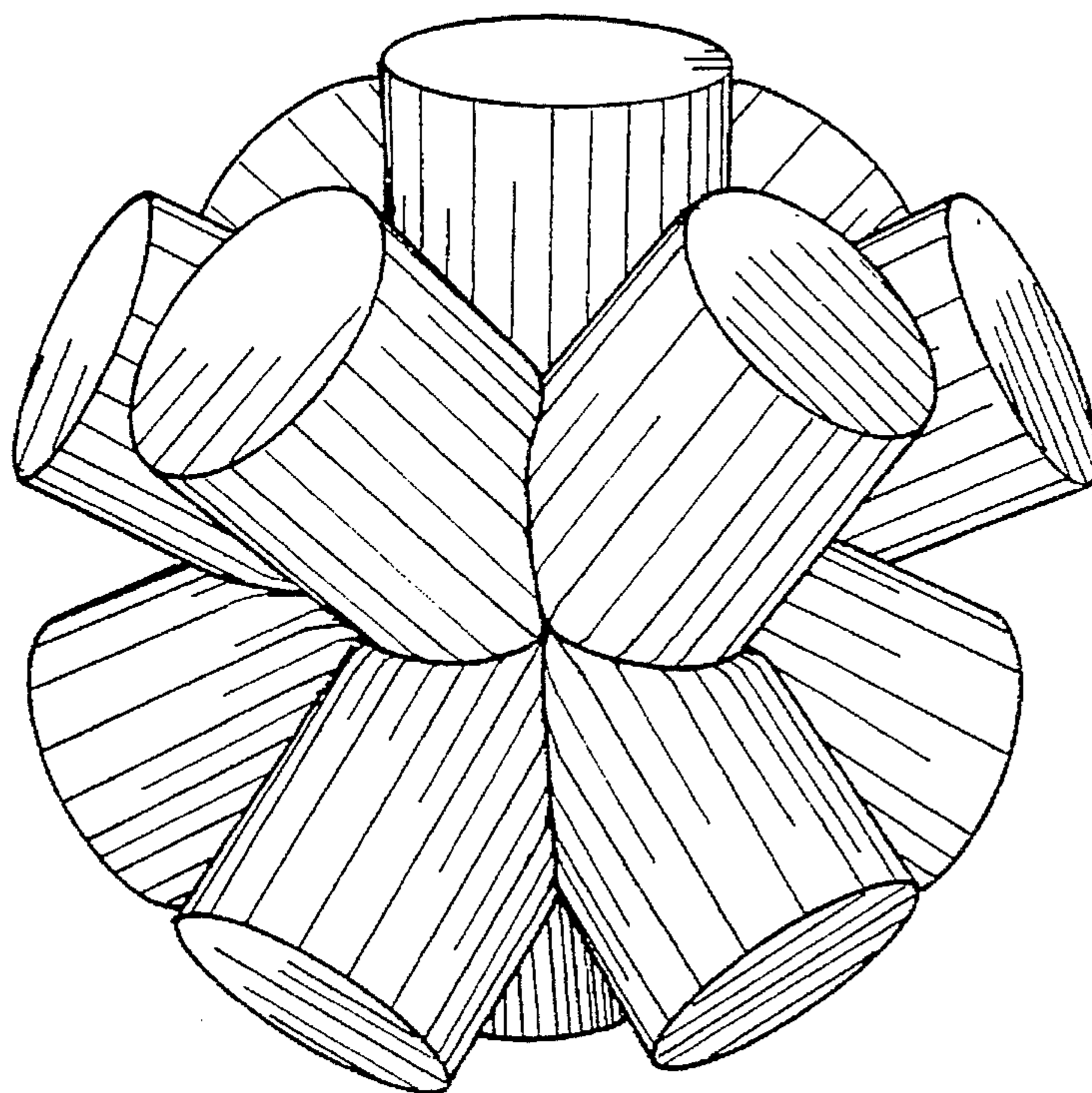
**Fig. 1**



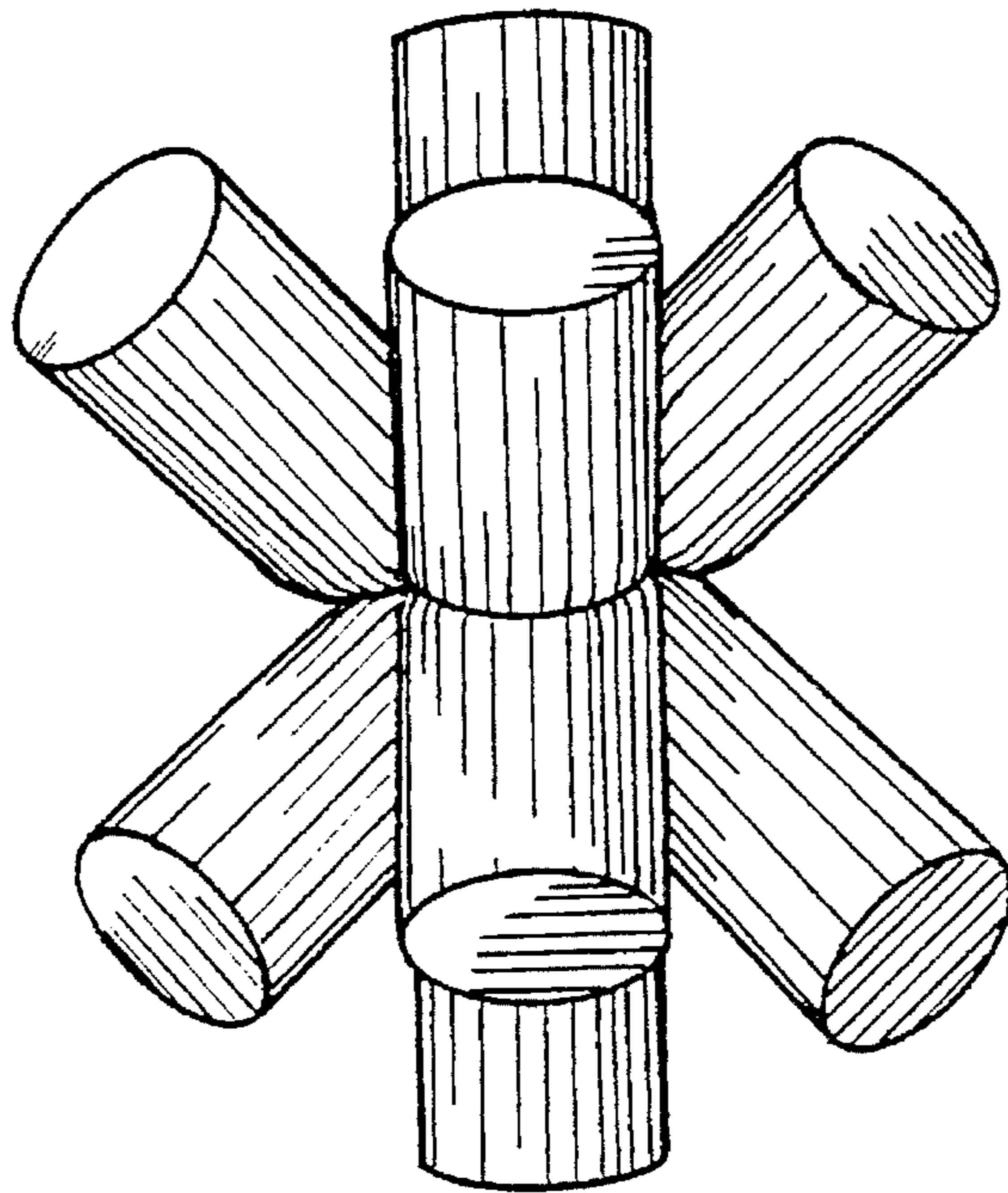
**Fig. 2**



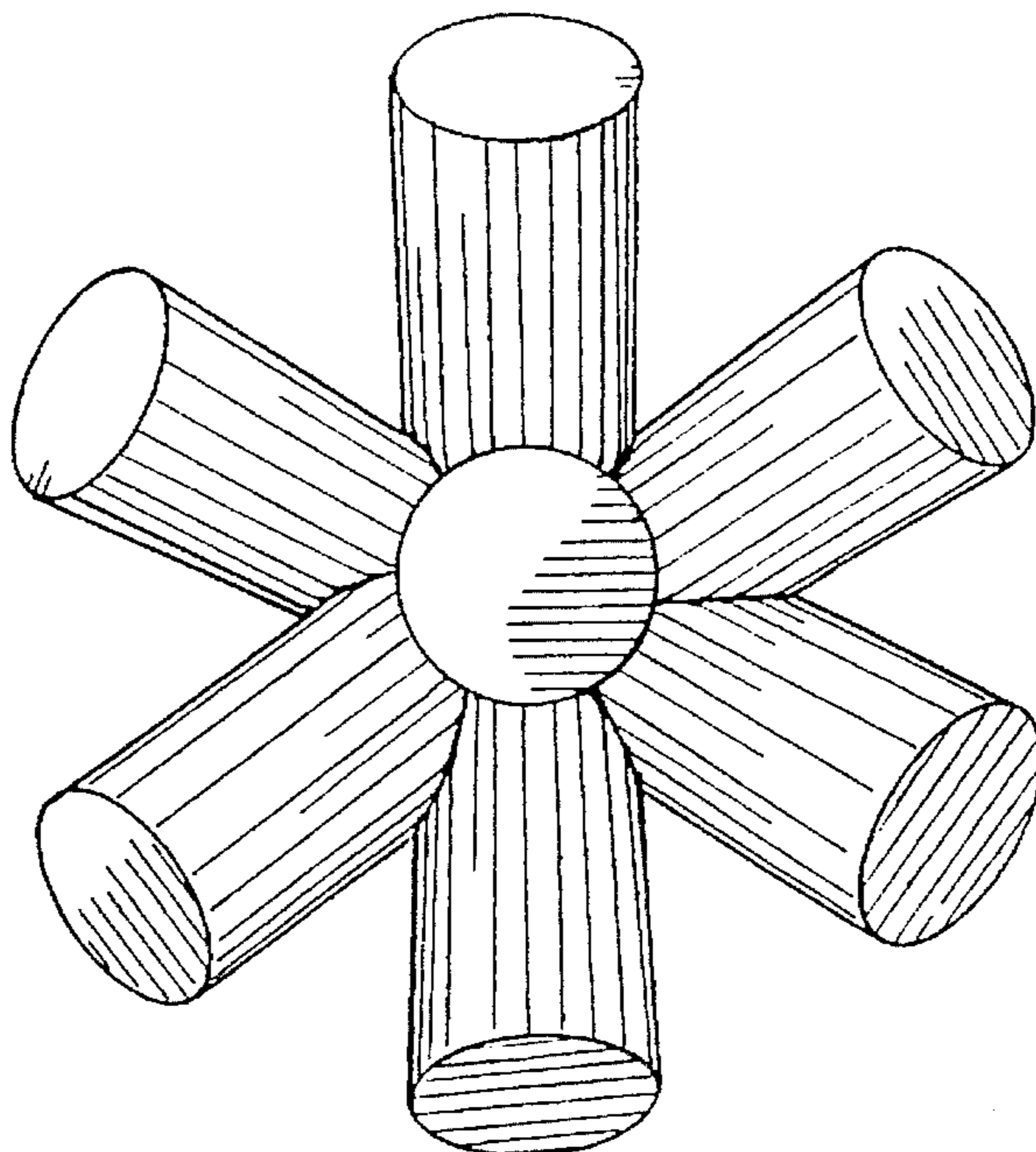
**Fig. 3**



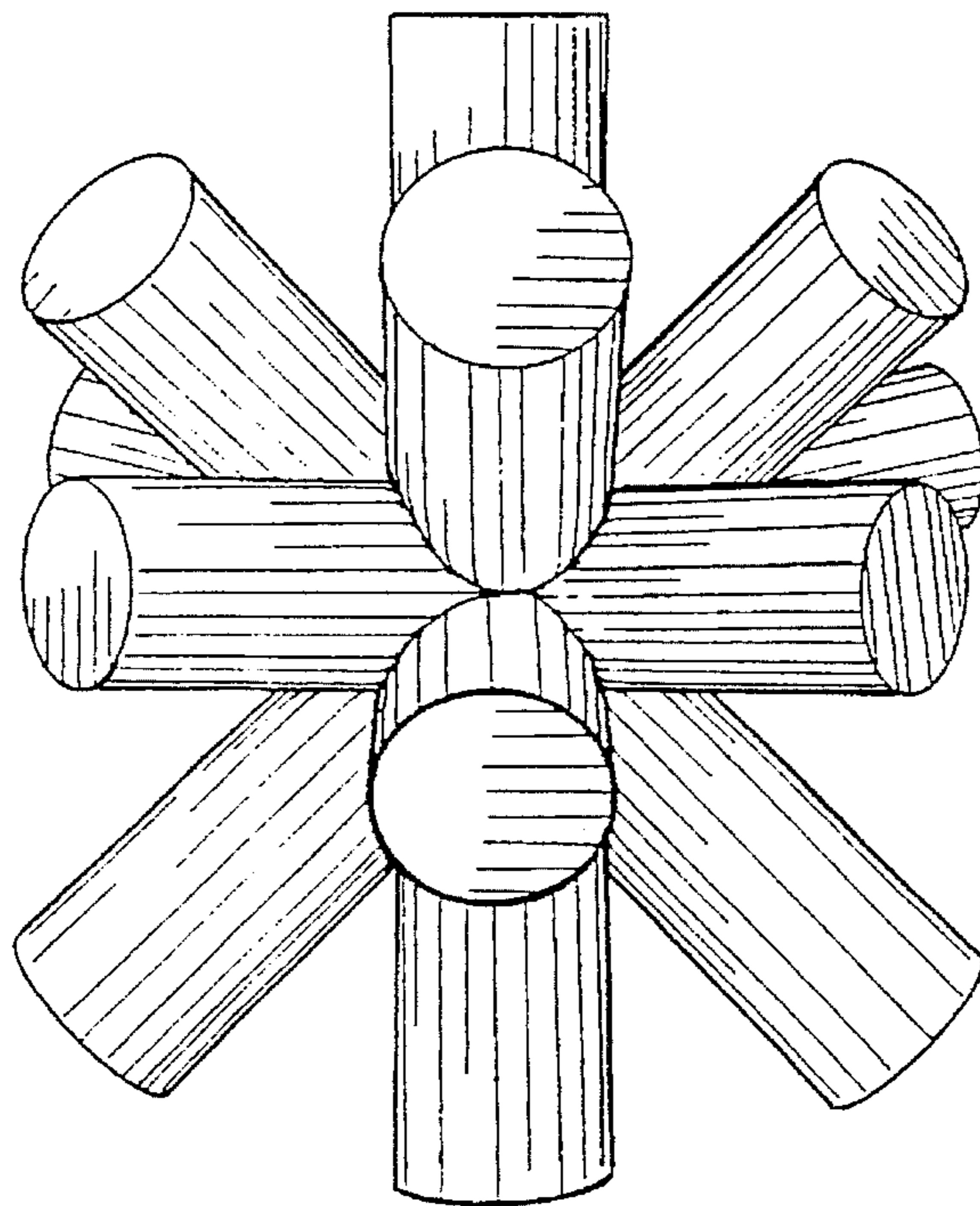
**Fig. 4**



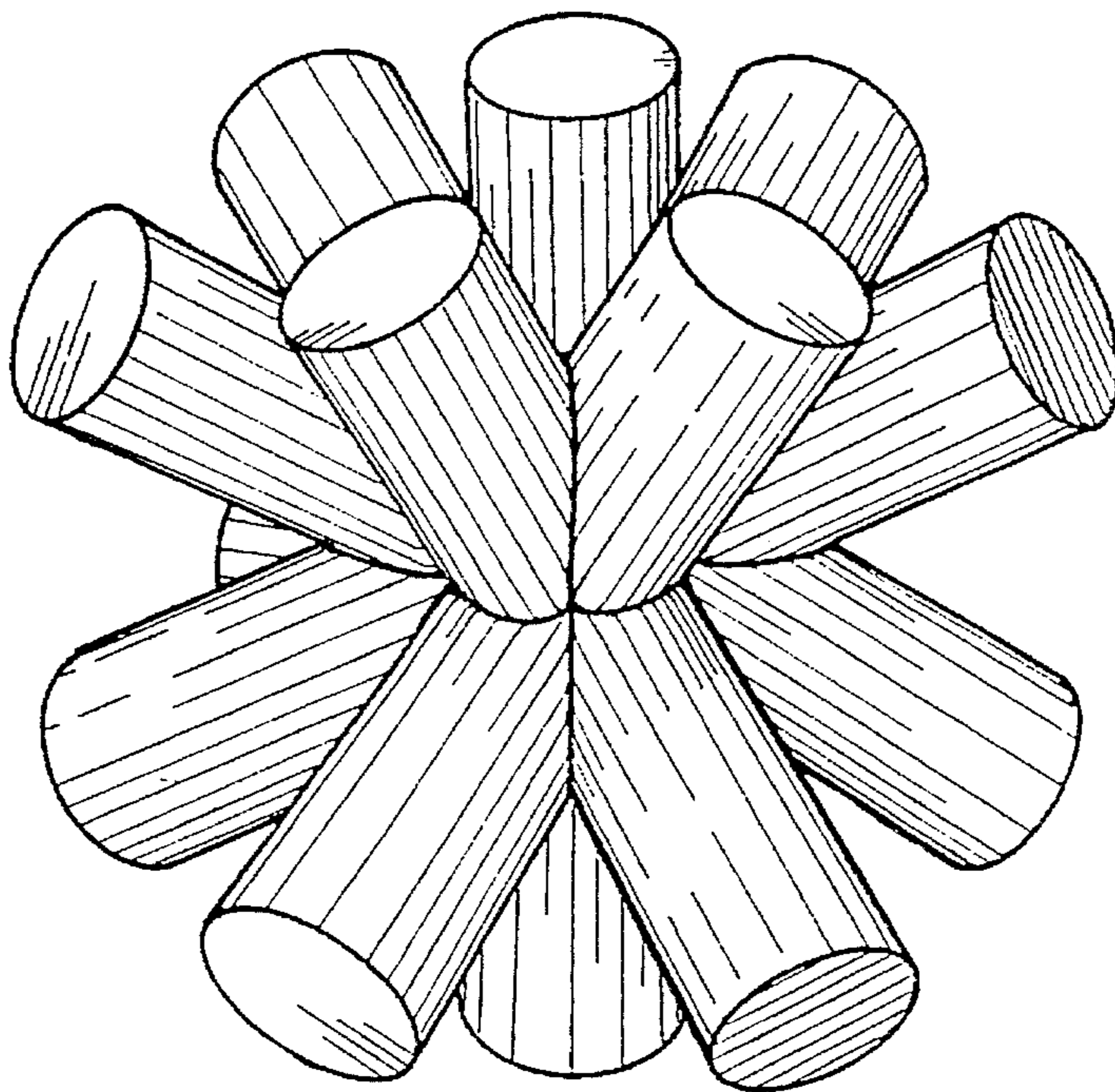
**Fig. 5**



**Fig. 6**



**Fig. 7**



**Fig. 8**