



US00D372746S

# United States Patent [19]

[11] Patent Number: **Des. 372,746**

Mathews

[45] Date of Patent: **\*\*Aug. 13, 1996**

[54] **COMBINED TOY MIRROR AND MAGNIFIER**

[75] Inventor: **John G. Mathews**, Providence, R.I.

[73] Assignee: **SRL, Inc.**, Wilmington, Del.

[\*\*] Term: **14 Years**

[21] Appl. No.: **34,102**

[22] Filed: **Jan. 27, 1995**

[52] U.S. Cl. .... **D21/109**; D16/135

[58] Field of Search ..... D21/109, 120, D21/59; D26/37-39, 51; D16/135; 446/219, 485, 397; 362/86, 136; 359/802, 803

[56] **References Cited**

**U.S. PATENT DOCUMENTS**

D. 165,043	11/1951	Ankney	.....	D16/135
D. 307,758	5/1990	Tsuji	.....	D16/135
D. 324,060	2/1992	Huang	.....	D16/135
2,515,437	7/1950	Bisch et al.	.....	362/136
3,032,644	5/1962	McGrew, Jr.	.....	362/80
3,300,632	1/1967	Kinn	.....	362/136
4,060,929	12/1977	Meyer et al.	.....	446/219
4,072,314	2/1978	Rosen et al.	.....	446/485

Primary Examiner—Raphael Barkai  
Attorney, Agent, or Firm—Fish & Richardson

[57] **CLAIM**

The ornamental design for a combined toy mirror and magnifier, as shown and described.

**DESCRIPTION**

FIG. 1 is a perspective view of a combined toy mirror and magnifier;

FIG. 2 is a perspective view of the combined toy mirror and magnifier of FIG. 1 with the magnifying lens in its folded out position;

FIG. 3 is a front view of the combined toy mirror and magnifier of FIG. 1;

FIG. 4 is a back view of the combined toy mirror and magnifier of FIG. 1;

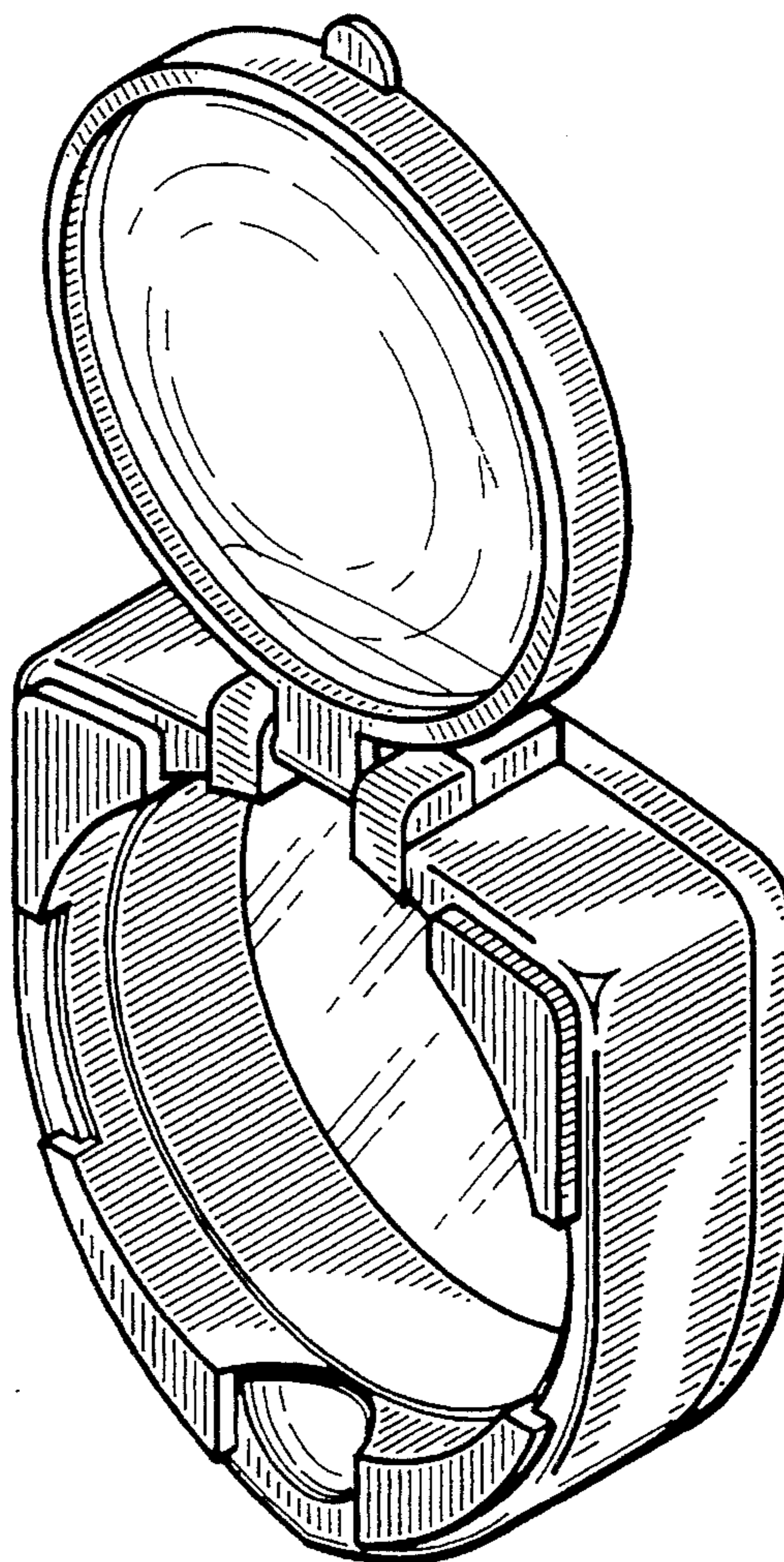
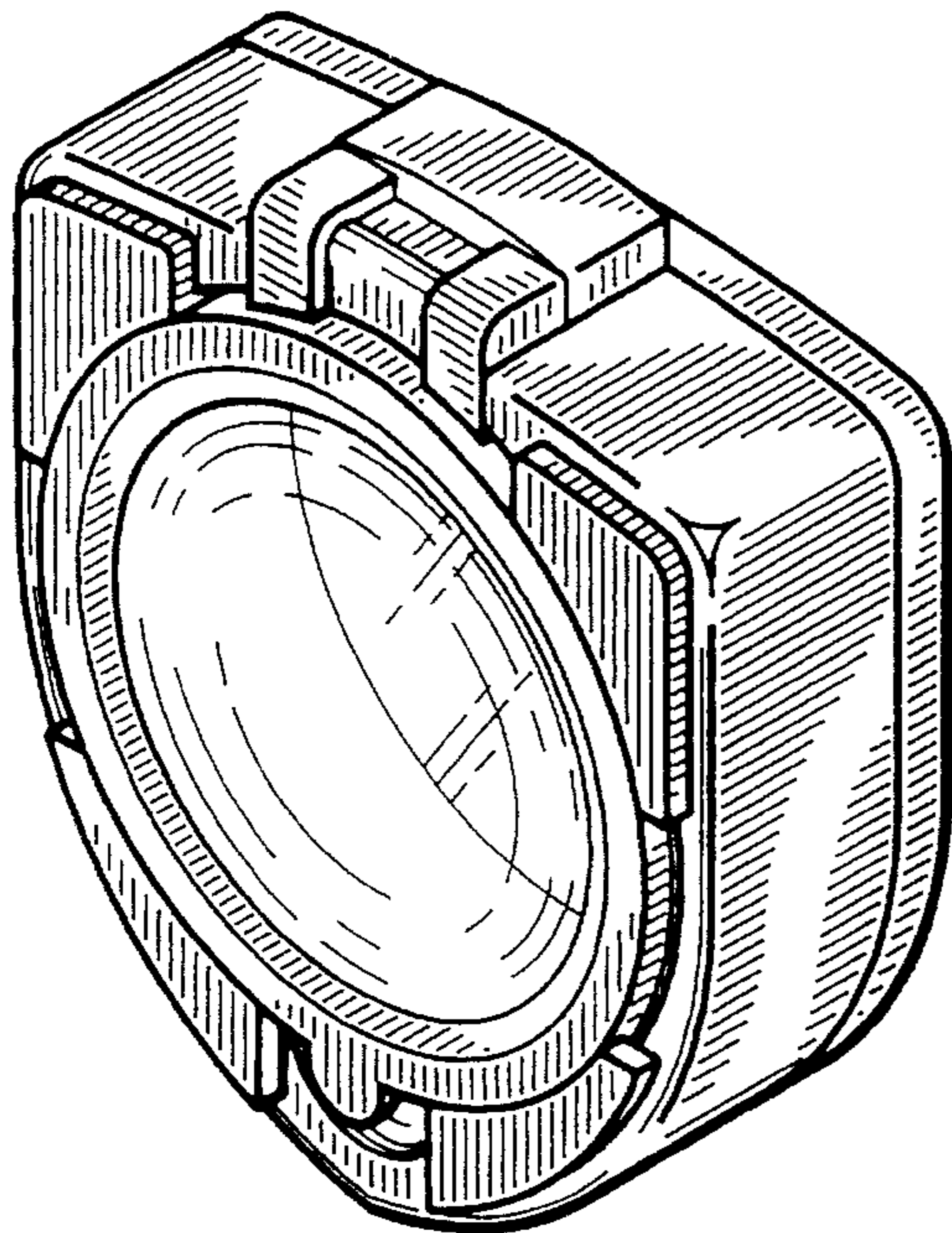
FIG. 5 is a left side view of the combined toy mirror and magnifier of FIG. 1;

FIG. 6 is a right side view of the combined toy mirror and magnifier of FIG. 1;

FIG. 7 is a top view of the combined toy mirror and magnifier of FIG. 1; and,

FIG. 8 is a bottom view of the combined toy mirror and magnifier of FIG. 1.

**1 Claim, 2 Drawing Sheets**





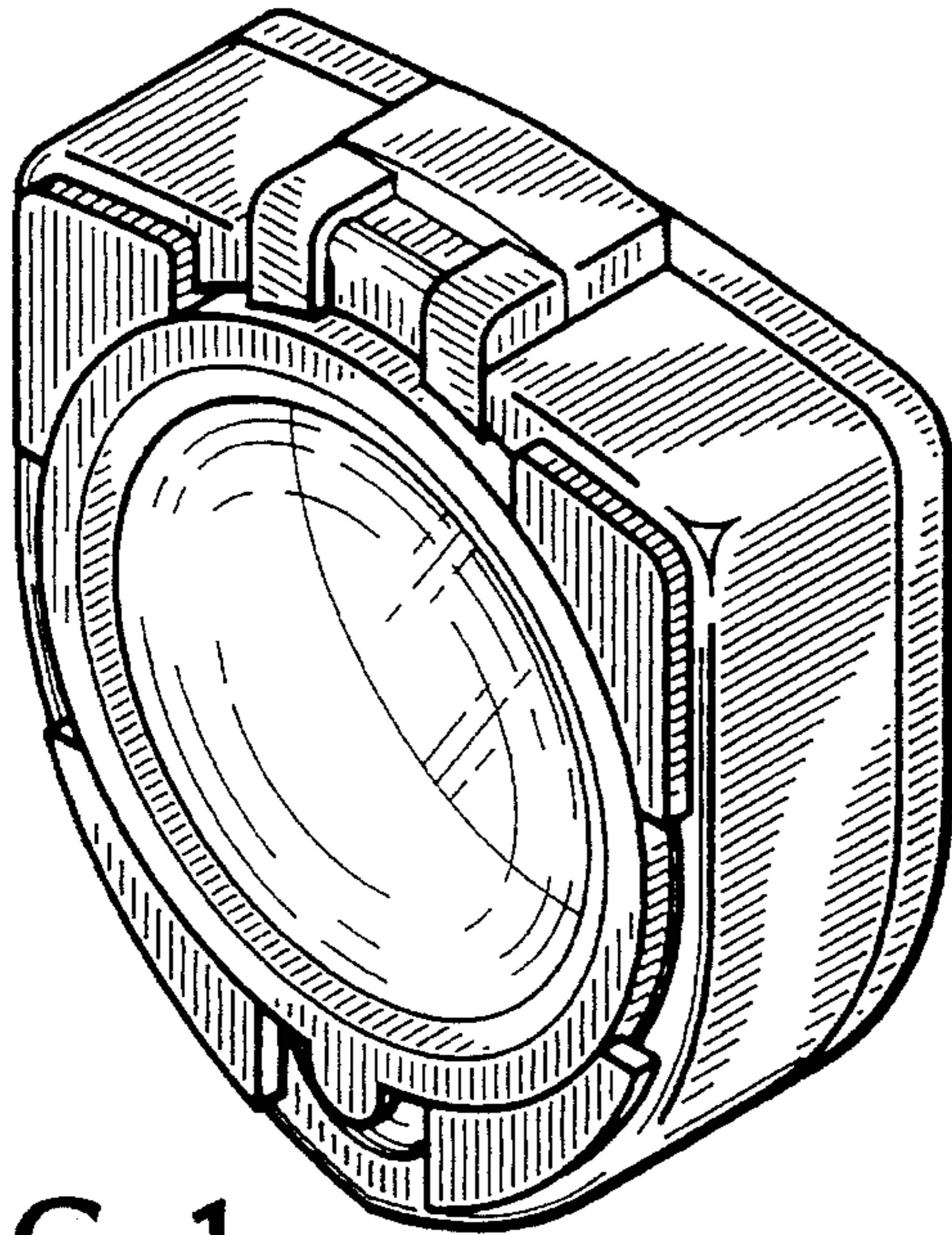


FIG. 1

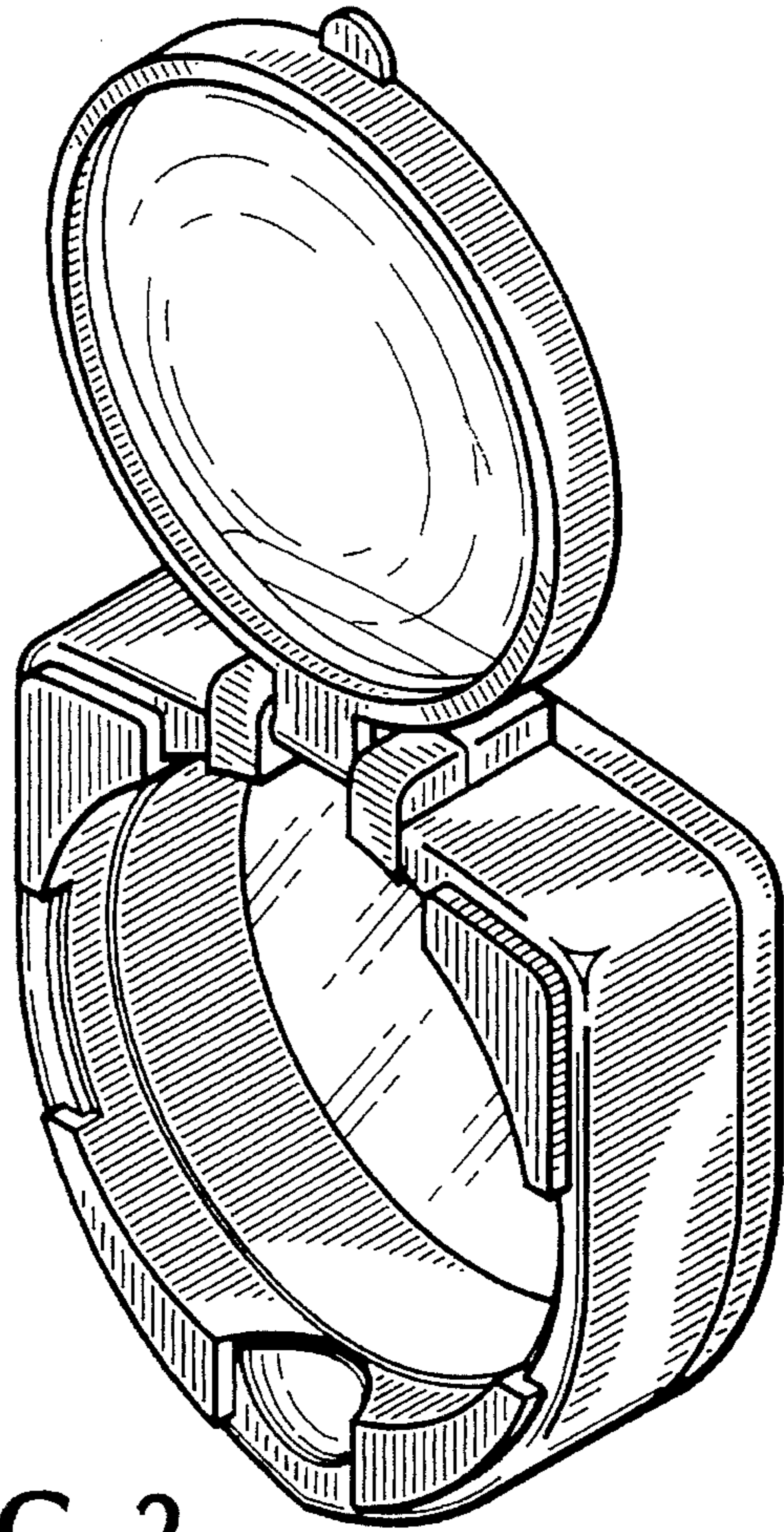


FIG. 2

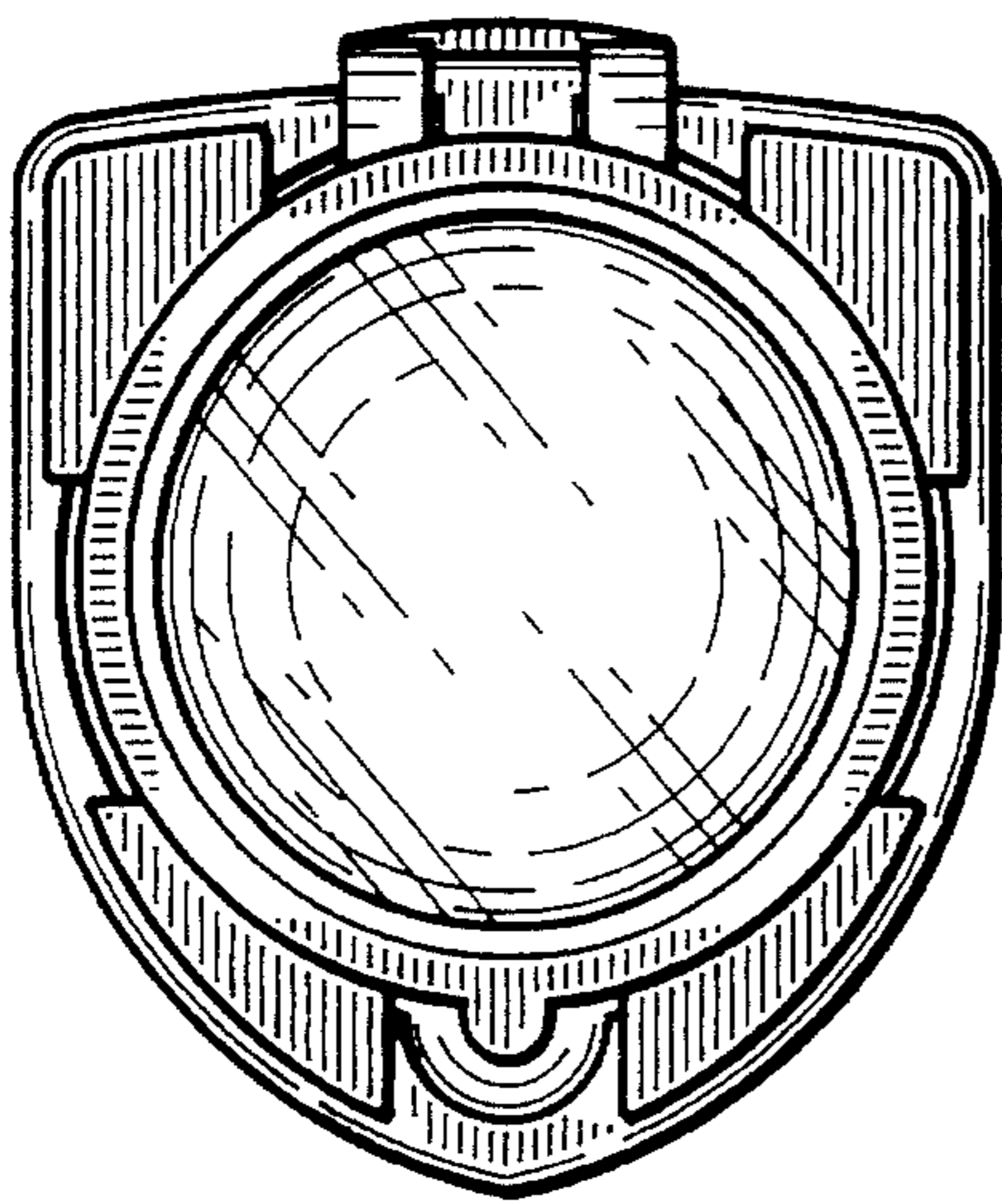


FIG. 3

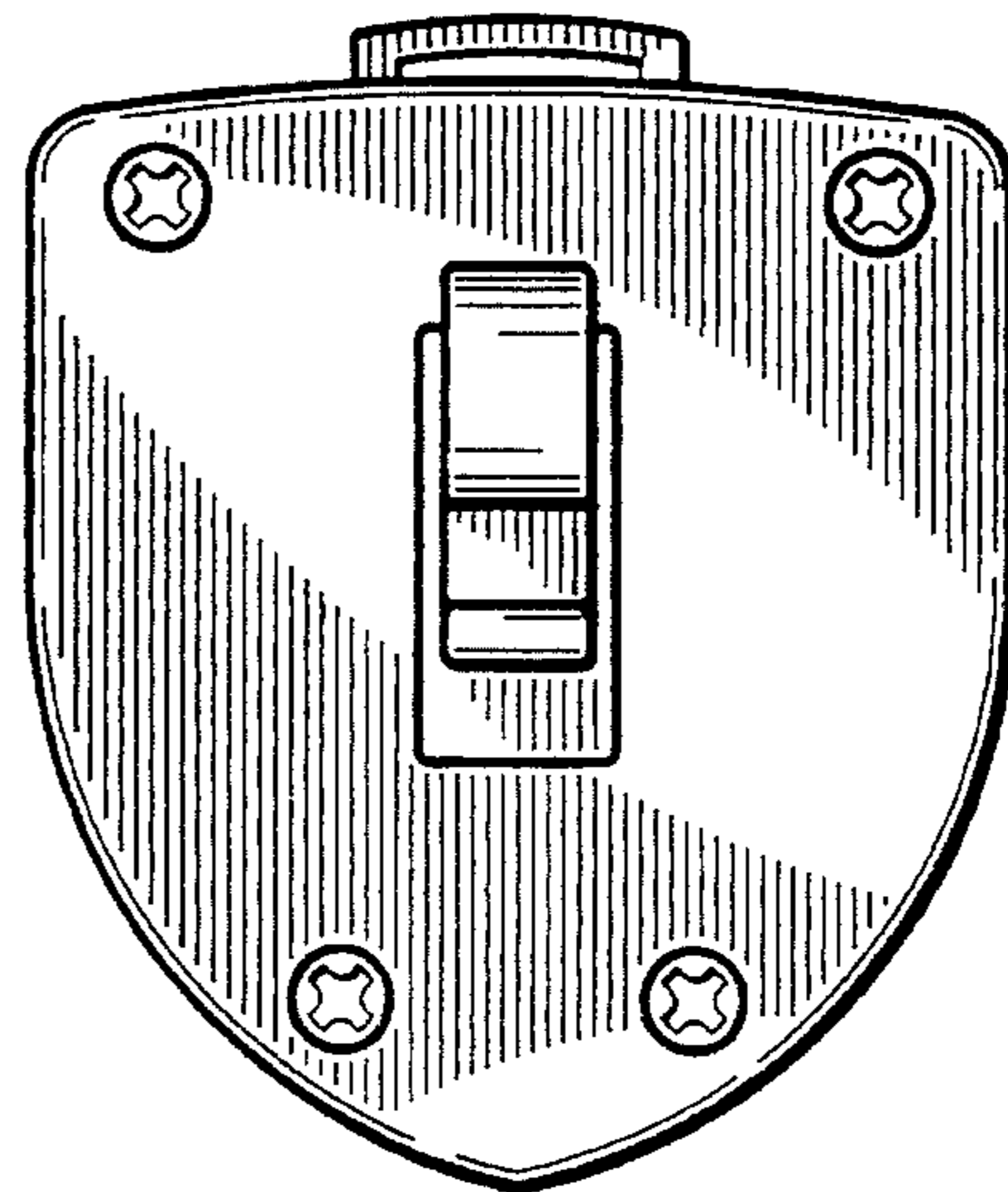


FIG. 4

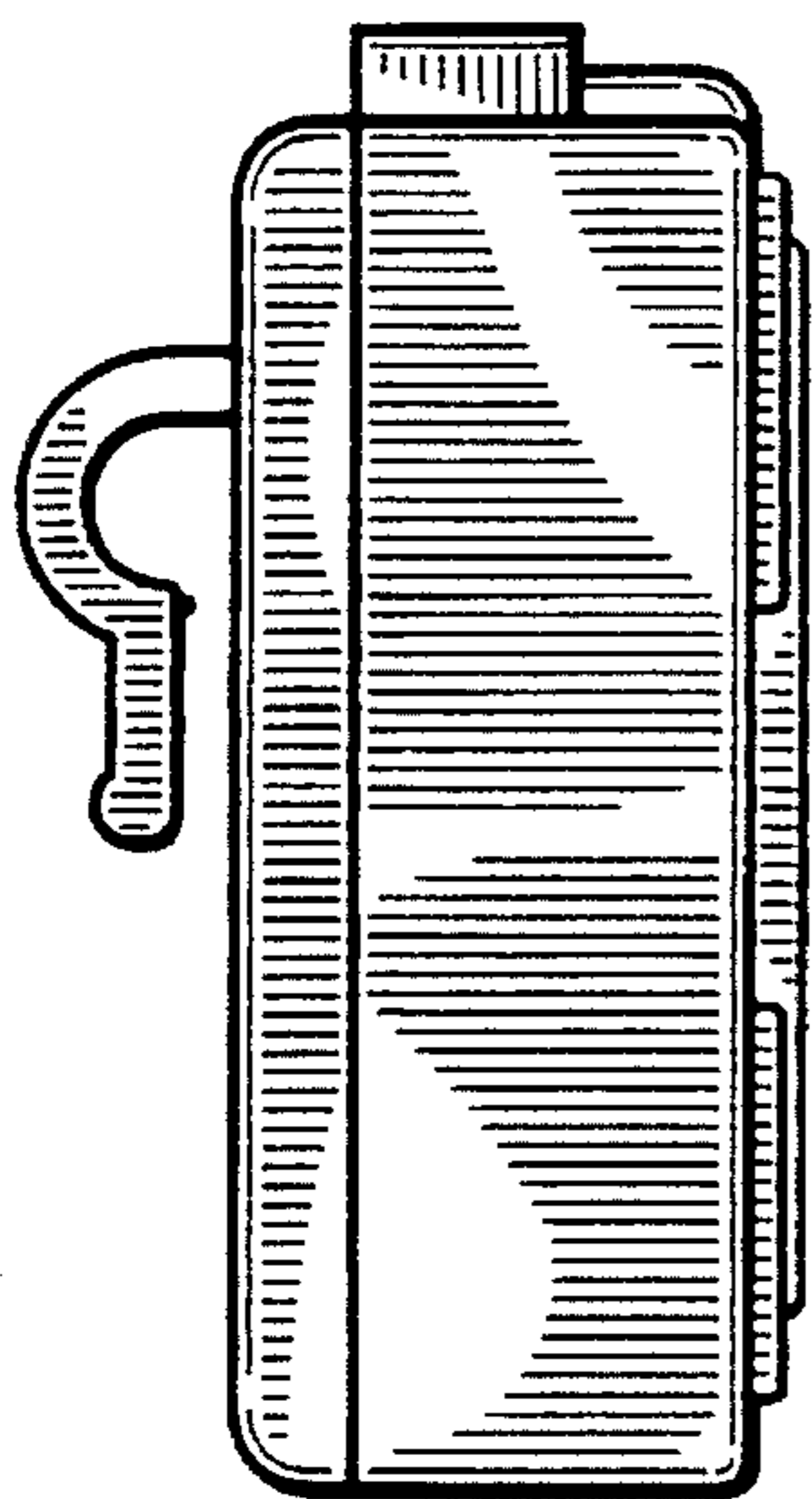


FIG. 5

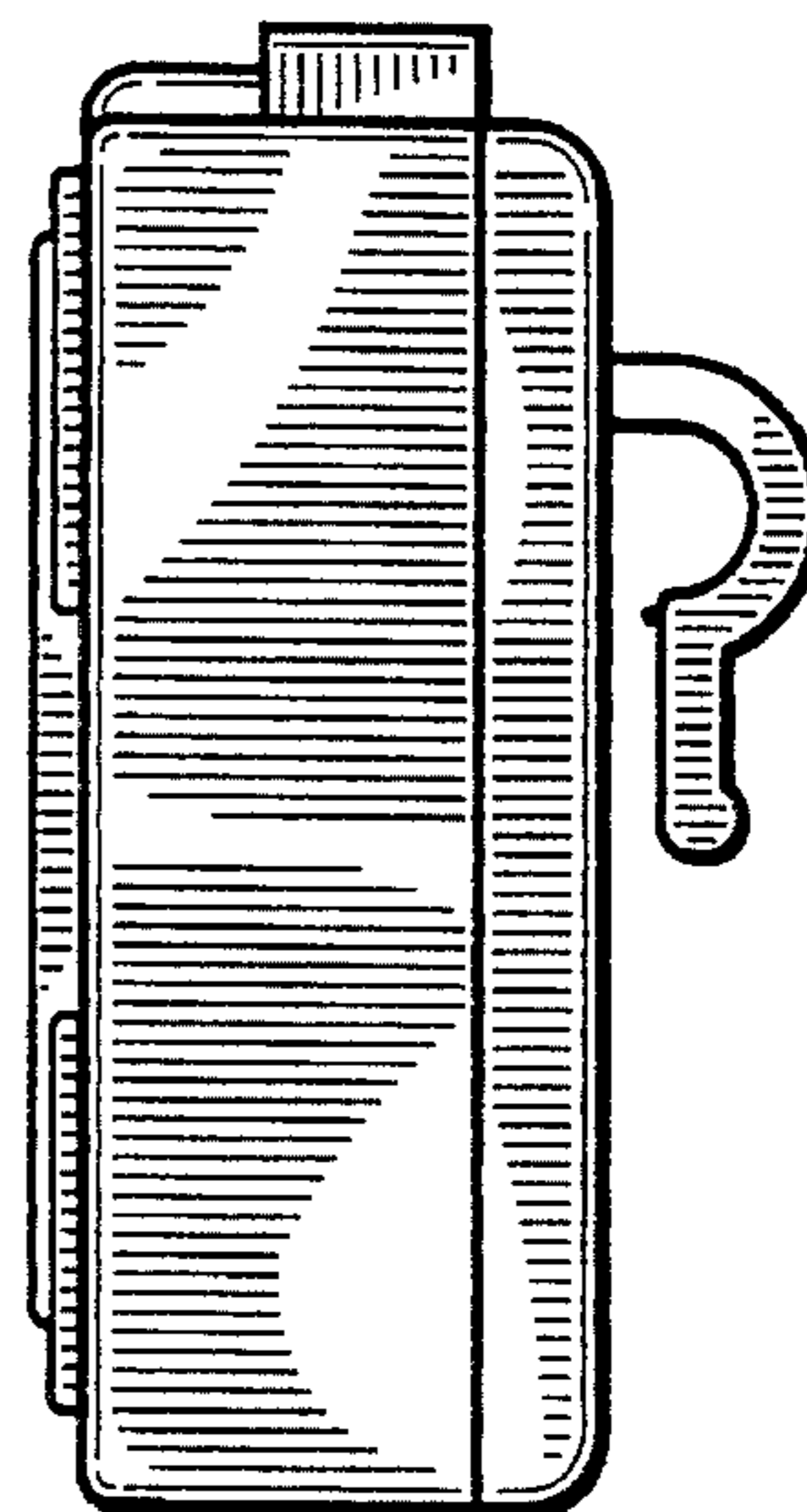


FIG. 6

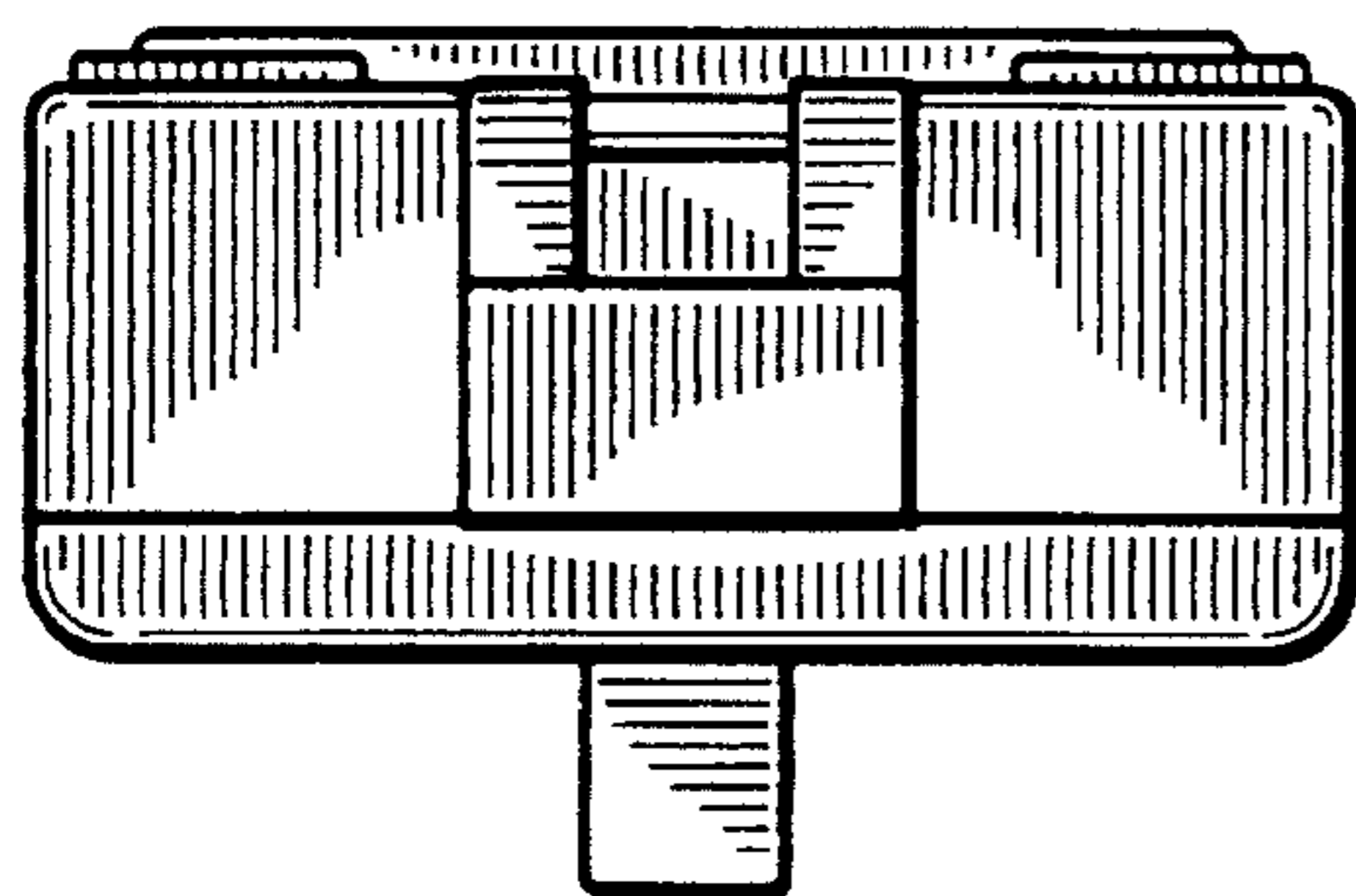


FIG. 7

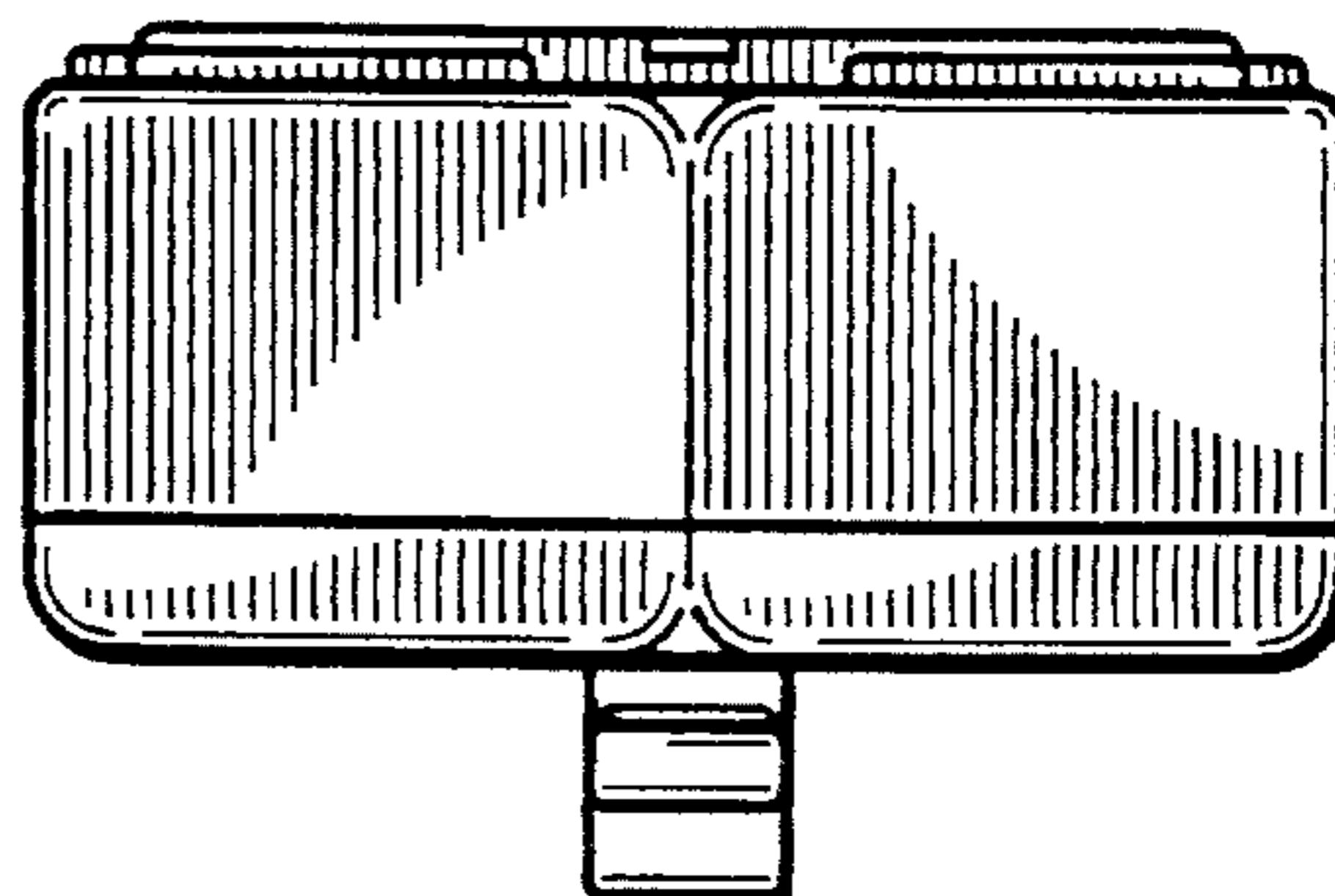


FIG. 8