



US00D372742S

# United States Patent [19] Kakudo

[11] Patent Number: **Des. 372,742**

[45] Date of Patent: **\*\*Aug. 13, 1996**

[54] **PLAYING CARD HOLDER**

FOREIGN PATENT DOCUMENTS

[76] Inventor: **Shigekazu S. Kakudo**, 7352 Tujunga Ave., Apt. #8, North Hollywood, Calif. 91605

2272164 5/1994 United Kingdom ..... 273/272

*Primary Examiner*—Sandra L. Morris

[\*\*] Term: **14 Years**

[57] **CLAIM**

The ornamental design for the playing card holder, as shown and described.

[21] Appl. No.: **34,357**

[22] Filed: **Feb. 2, 1995**

**DESCRIPTION**

[52] U.S. Cl. .... **D21/54; D21/57**

[58] Field of Search ..... D19/90, 91; D21/54-57; 273/148 R, 148 A, 150, 236-285

FIG. 1 is a front elevational view of the playing card holder showing my new design;

FIG. 2 is a rear elevational view thereof;

FIG. 3 is a left side elevational view thereof;

FIG. 4 is a right side elevational view thereof; and,

FIG. 5 is an upper right perspective thereof.

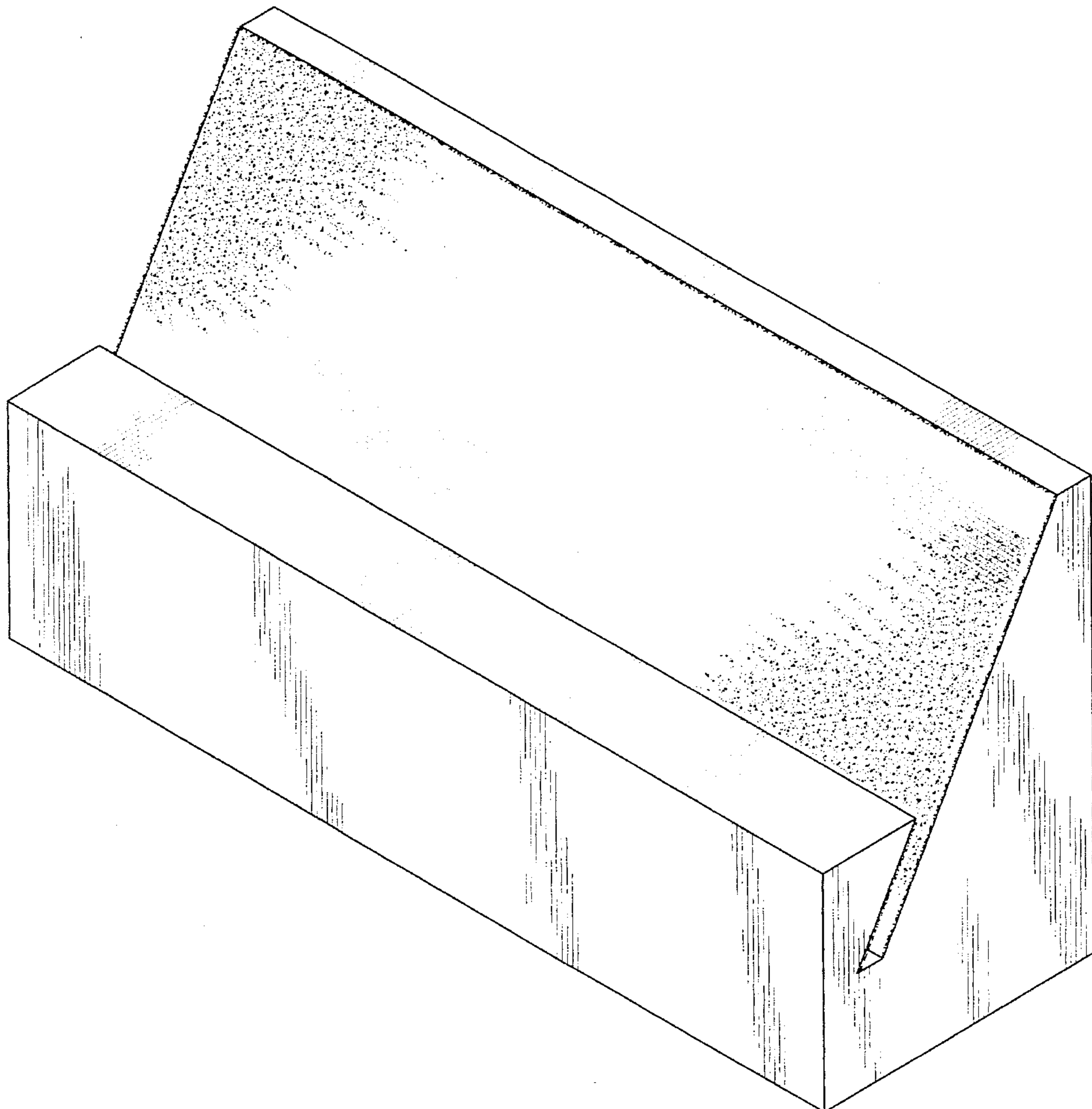
The shading representing fabric is understood to repeat uniformly across the circumscribed area.

[56] **References Cited**

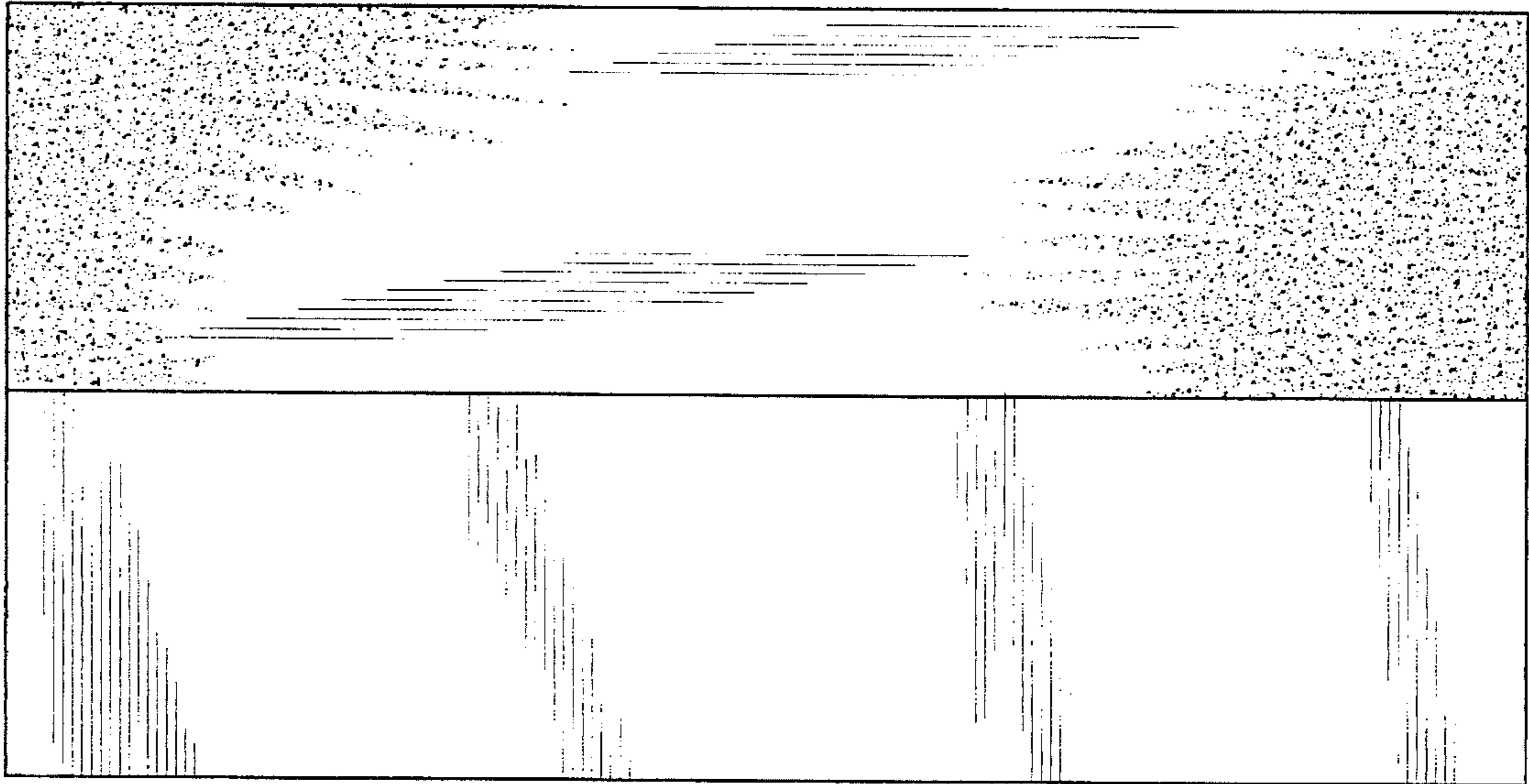
### U.S. PATENT DOCUMENTS

D. 262,727	1/1982	Snyder	.....	D21/54
D. 291,900	9/1987	Mortensen	.....	D21/54
D. 328,314	7/1992	MacEwan	.....	D19/90
D. 353,412	12/1994	Bull et al.	.....	D21/54
3,924,859	12/1975	Kramer	.....	273/150

**1 Claim, 3 Drawing Sheets**



*FIG. 1*



*FIG. 2*

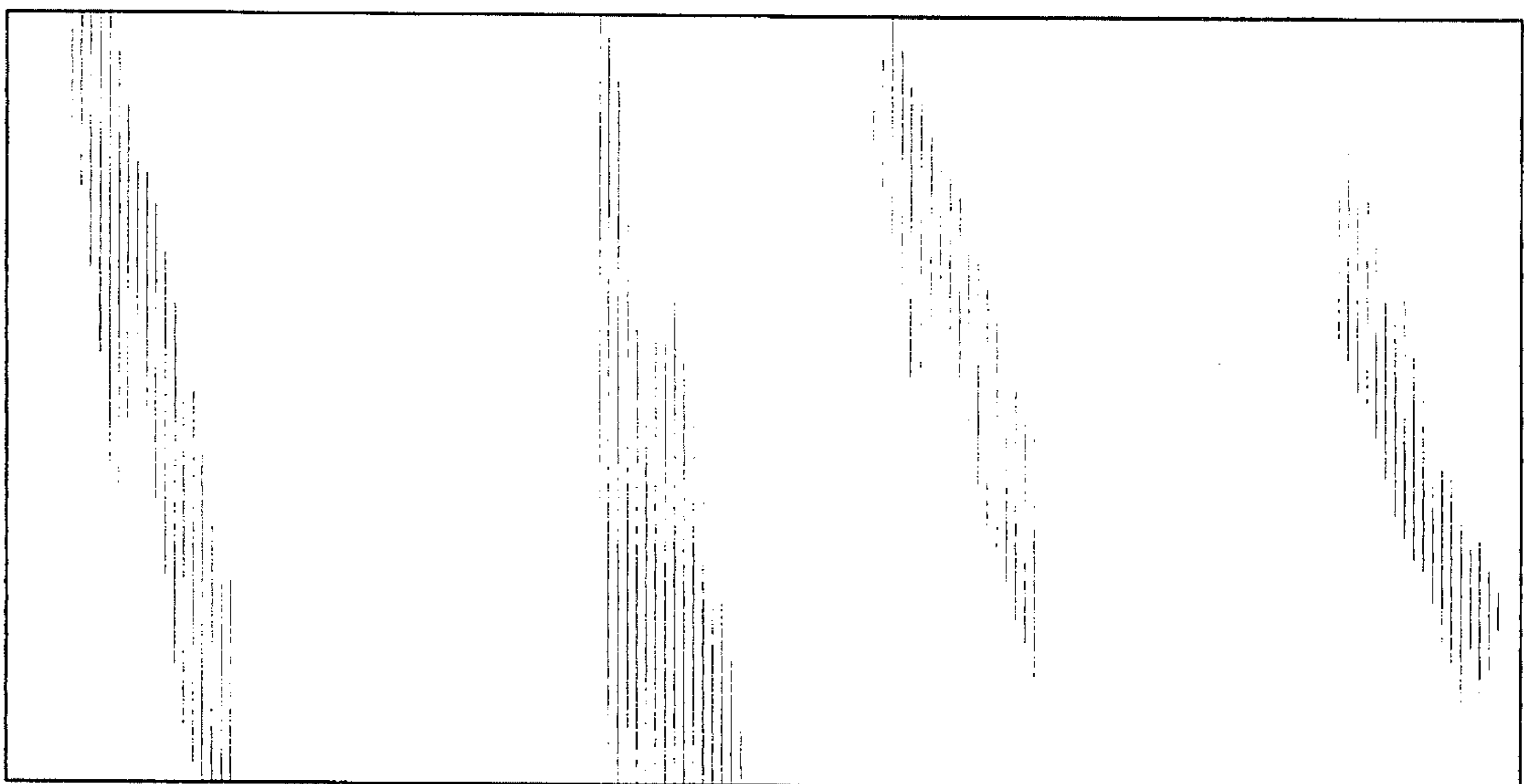


FIG. 3

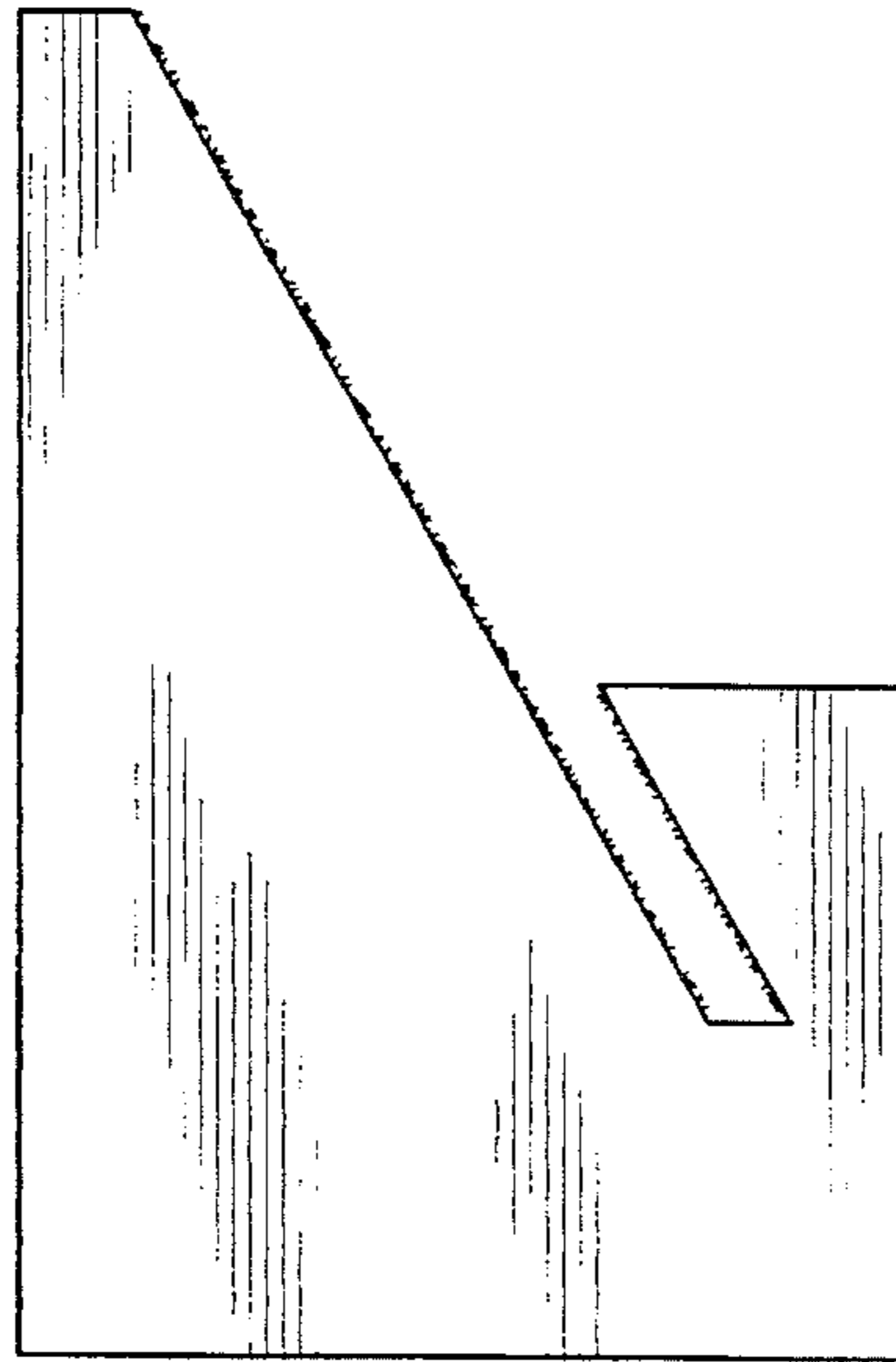


FIG. 4

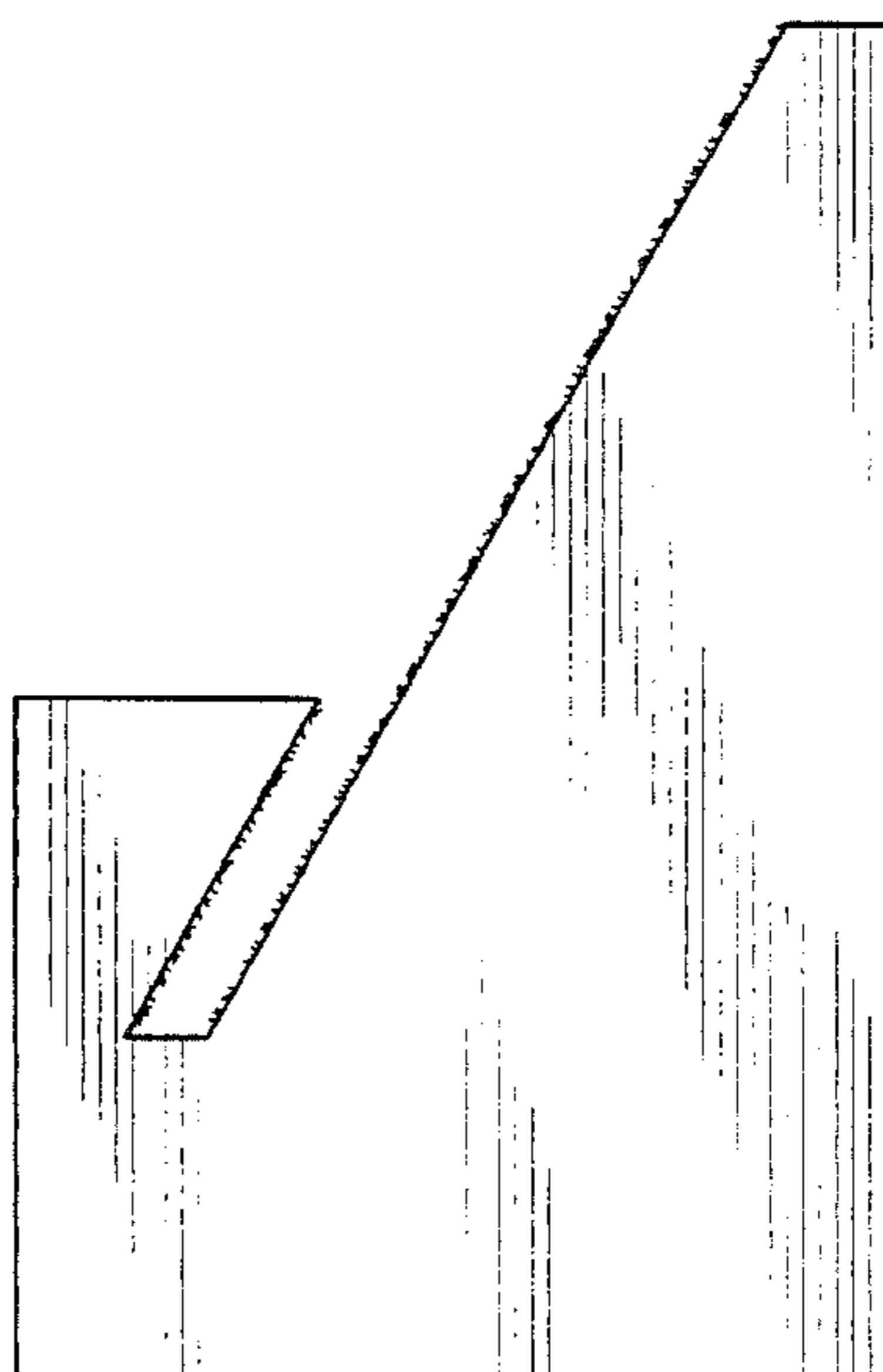


FIG. 5

