



US00D372736S

United States Patent [19]

Stabler

[11] Patent Number: Des. 372,736

[45] Date of Patent: **Aug. 13, 1996

- [54] **DECORATIVE CAP FOR A MECHANICAL PEN OR PENCIL**
- [75] Inventor: **Faye B. Stabler**, 111 S. Orange Grove Blvd. #105, Pasadena, Calif. 91105
- [73] Assignee: **Faye B. Stabler**, Pasadena, Calif.; as trustee of Stabler Trust
- [**] Term: **14 Years**
- [21] Appl. No.: **44,051**
- [22] Filed: **Sep. 15, 1995**
- [52] U.S. Cl. **D19/57; D19/49; D8/312; D23/250**
- [58] **Field of Search** **D8/307-312; D23/250; D19/35, 36, 41-51, 53, 54-58, 81-85; 401/202, 243-247**

[56] **References Cited**

U.S. PATENT DOCUMENTS

D. 85,500	11/1931	Van dorn	D19/53 X
D. 124,725	1/1941	Ornstein	D19/57 X
D. 130,443	11/1941	Gower	D19/53 X
D. 179,615	1/1957	Spatz	D19/46 X
D. 207,986	6/1967	Smalley	D23/250
D. 216,925	3/1970	Lanoie	D19/46
D. 301,963	7/1989	Jackson	D8/14
D. 329,458	9/1992	Ellis	D19/46
D. 351,417	10/1994	Oka	D19/57
3,177,296	4/1905	Richardson	179/90
4,177,698	12/1979	Greneker	81/1 R
4,601,599	7/1986	Katoh	401/99
4,618,280	10/1986	Kageyama	401/107
4,720,203	1/1988	Shimada	401/94

Primary Examiner—Martie Thompson
Attorney, Agent, or Firm—Harlan P. Huebner

[57] **CLAIM**

The ornamental design for a decorative cap for a mechanical pen or pencil, as shown and described.

DESCRIPTION

FIG. 1 is a perspective view of the decorative cap for a mechanical pen or pencil showing a bottom section of clear

transparent material giving the impression of a prism and a top portion of solid opaque material;

FIG. 2 is a side elevational view of the decorative cap for a mechanical pen or pencil of FIG. 1, and the side opposite is a mirror image of that shown in this figure;

FIG. 3 is a bottom end view of the decorative cap for a mechanical pen or pencil of FIG. 1;

FIG. 4 is a top end view of the decorative cap for a mechanical pen or pencil of FIG. 1;

FIG. 5 is perspective view of a modified design of the decorative cap for a mechanical pen or pencil of FIG. 1;

FIG. 6 is a side elevational view of the decorative cap for a mechanical pen or pencil of FIG. 5, and the side opposite is a mirror image of that shown in this figure;

FIG. 7 is a bottom end view of the modified decorative cap for a mechanical pen or pencil of FIG. 5;

FIG. 8 is a top end view of the decorative cap for a mechanical pen or pencil of FIG. 5;

FIG. 9 is a perspective view of another modified design of the decorative cap for a mechanical pen or pencil of FIGS. 1 or 5;

FIG. 10 is a side elevational view of the modified decorative cap for a mechanical pen or pencil of FIG. 9, and the side opposite is a mirror image of that shown in this figure;

FIG. 11 is a bottom end view of the modified decorative cap for a mechanical pen or pencil of FIG. 9;

FIG. 12 is a top end view of the modified decorative cap for a mechanical pen or pencil of FIG. 9;

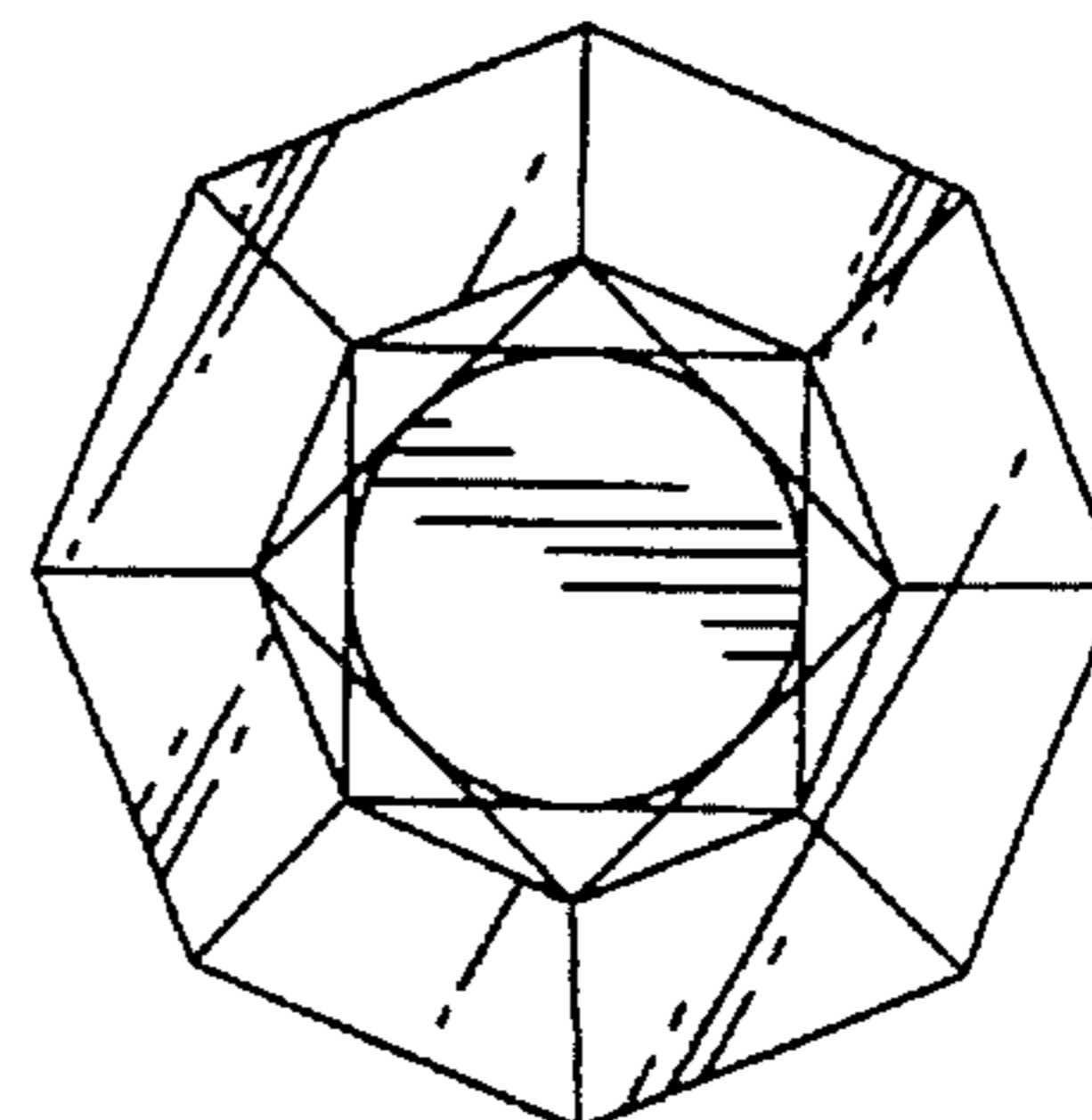
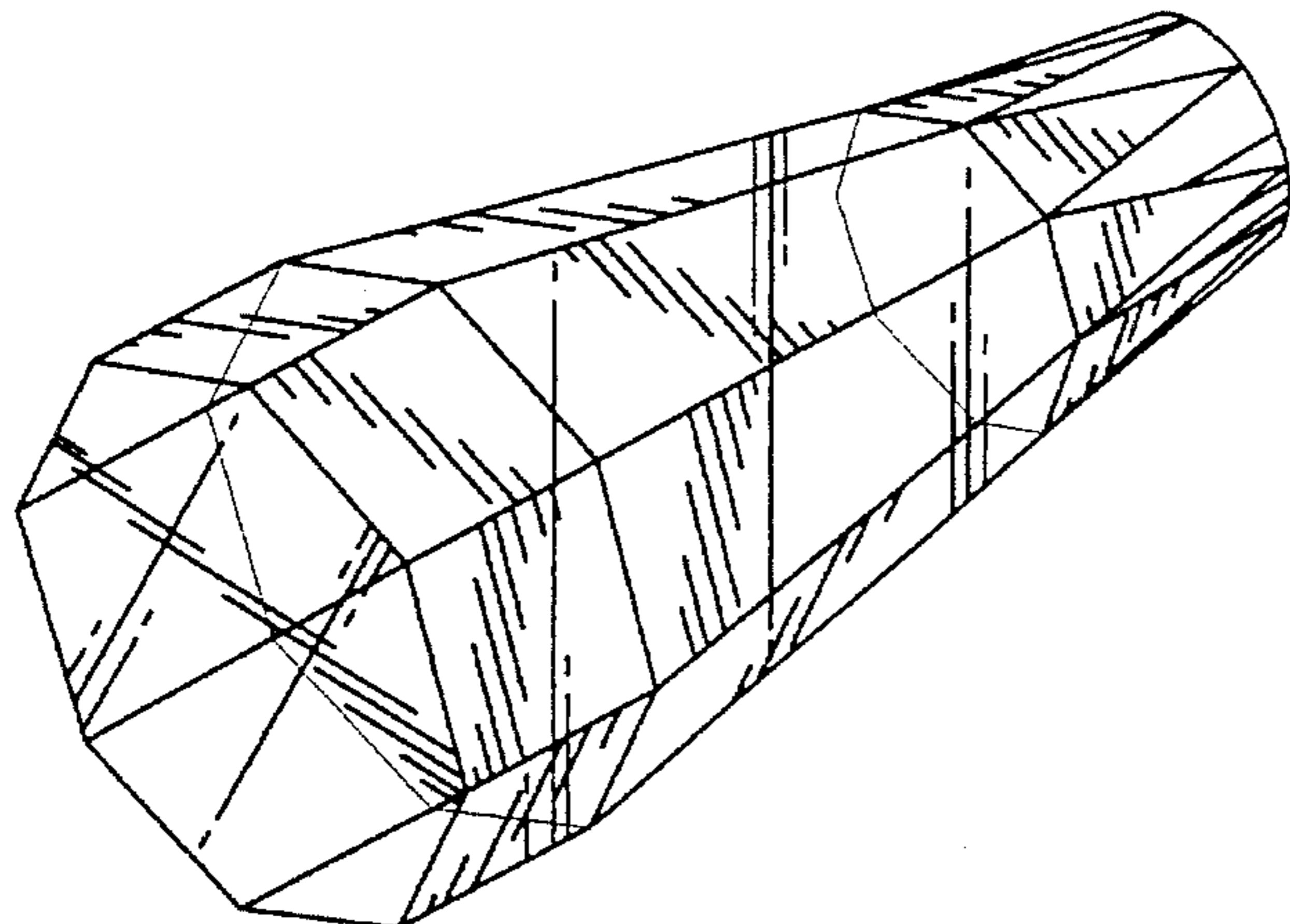
FIG. 13 is a perspective view of a still further modified design of the decorative cap for a mechanical pen or pencil of FIGS. 1, 5 or 9;

FIG. 14 is a side elevational view of the modified decorative cap for a mechanical pen or pencil of FIG. 13, and the side opposite is a mirror image of that shown in this figure;

FIG. 15 is a bottom end view of the modified decorative cap for a mechanical pen or pencil of FIG. 13; and,

FIG. 16 is a top end view of the modified decorative cap for a mechanical pen or pencil of FIG. 14.

1 Claim, 2 Drawing Sheets



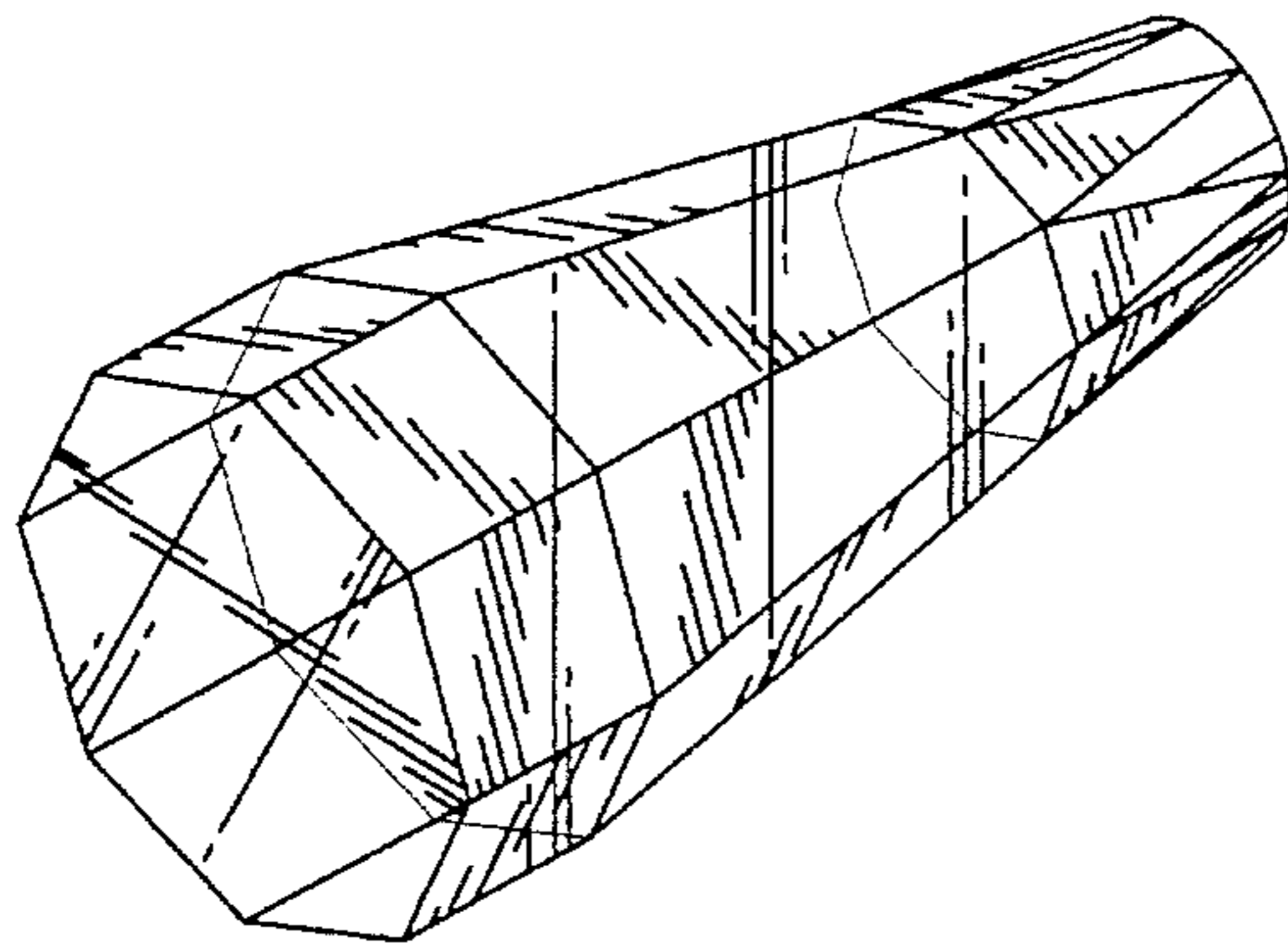


FIG. 1

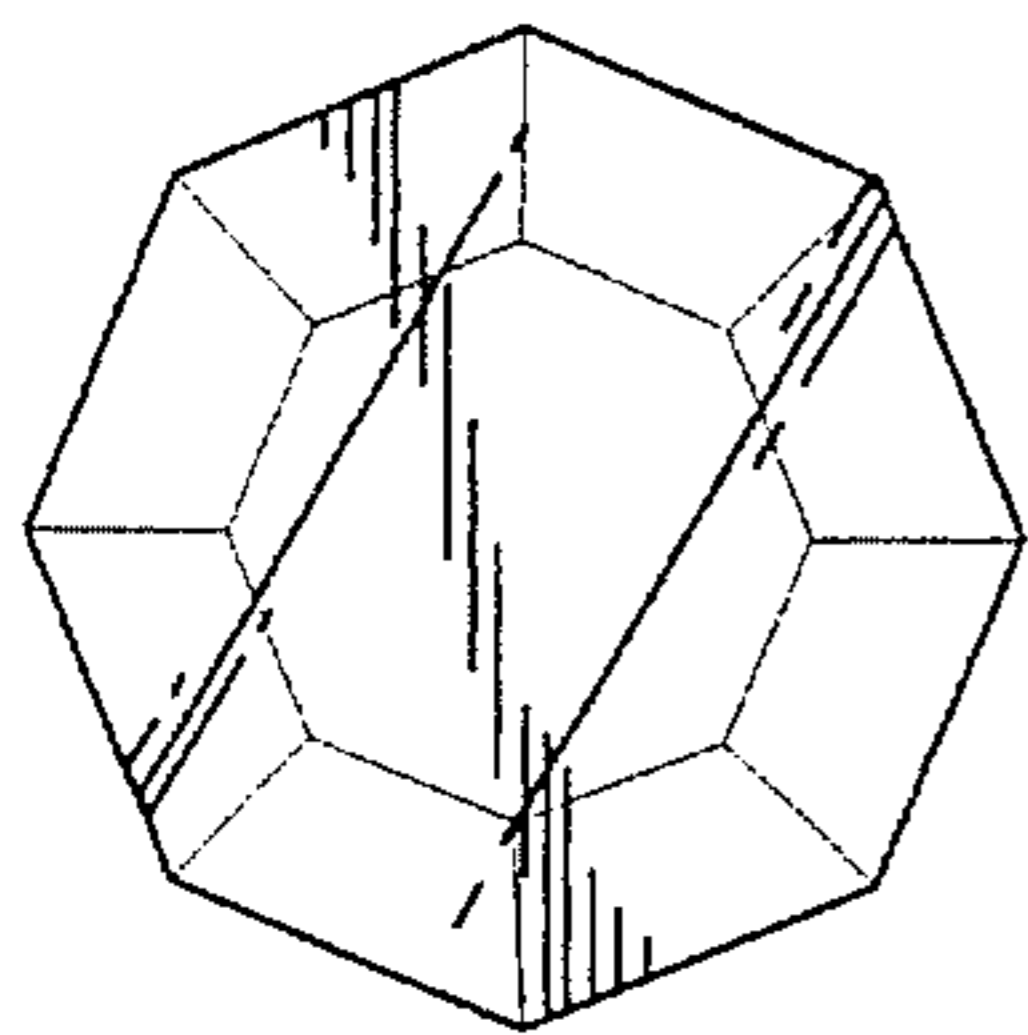


FIG. 3

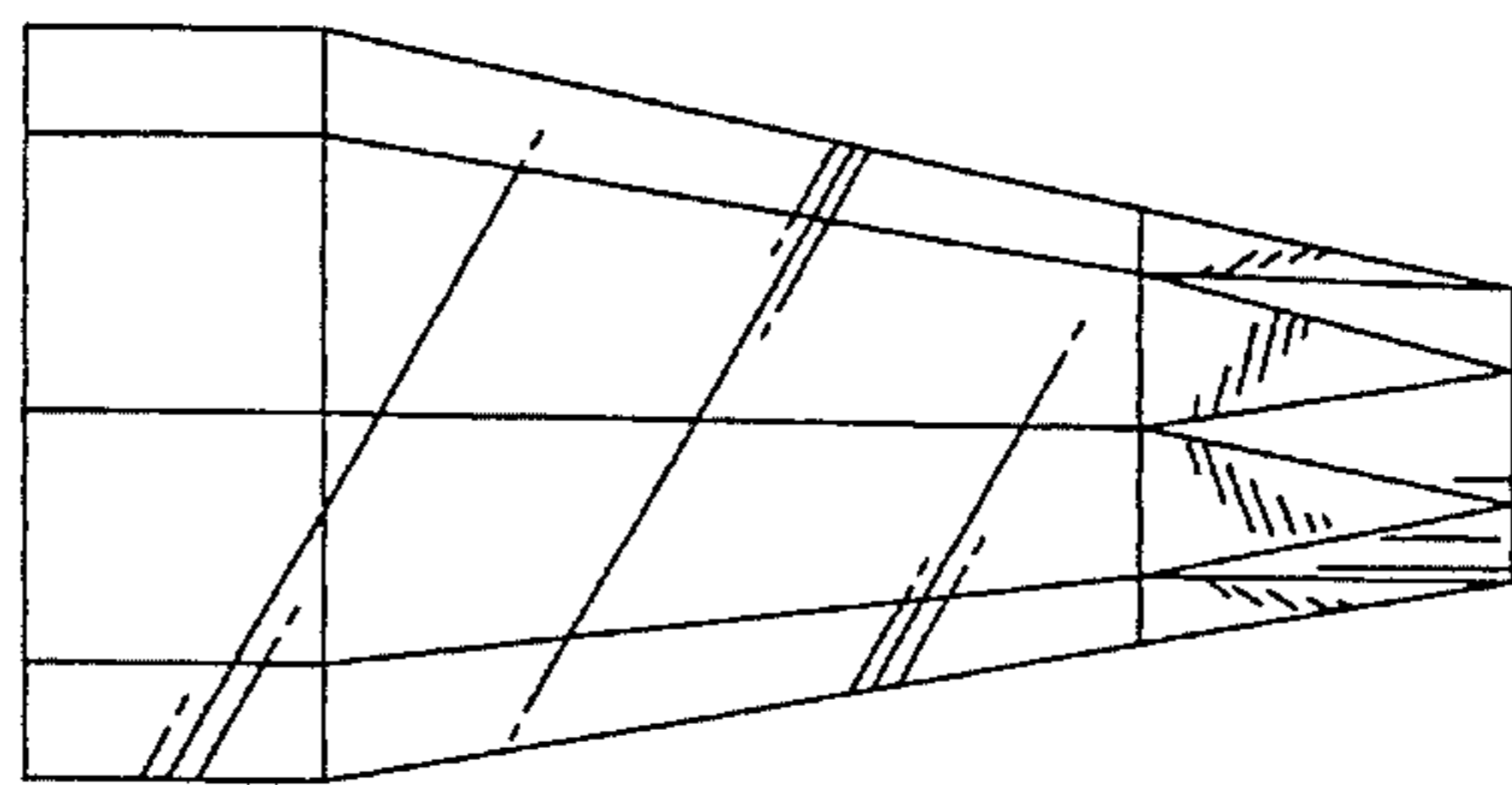


FIG. 2

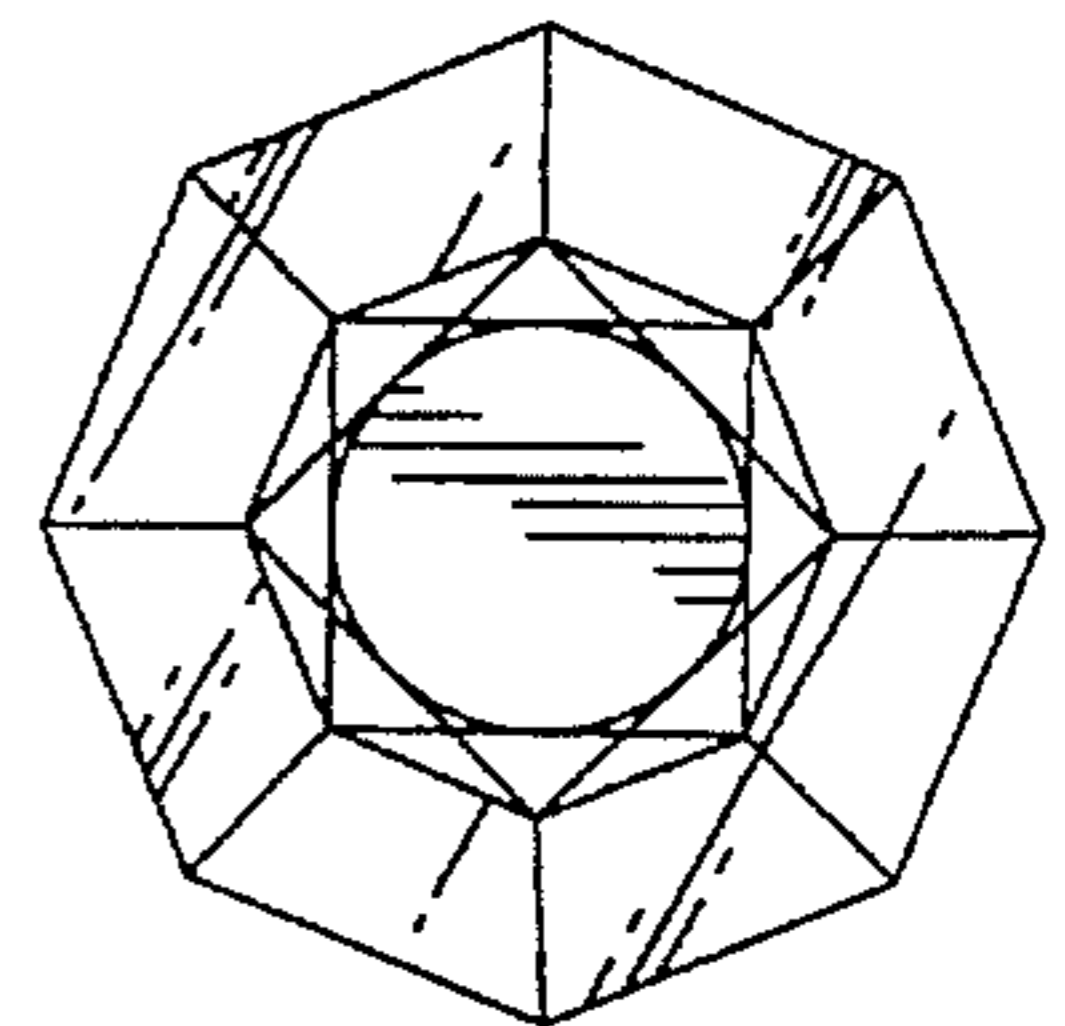


FIG. 4

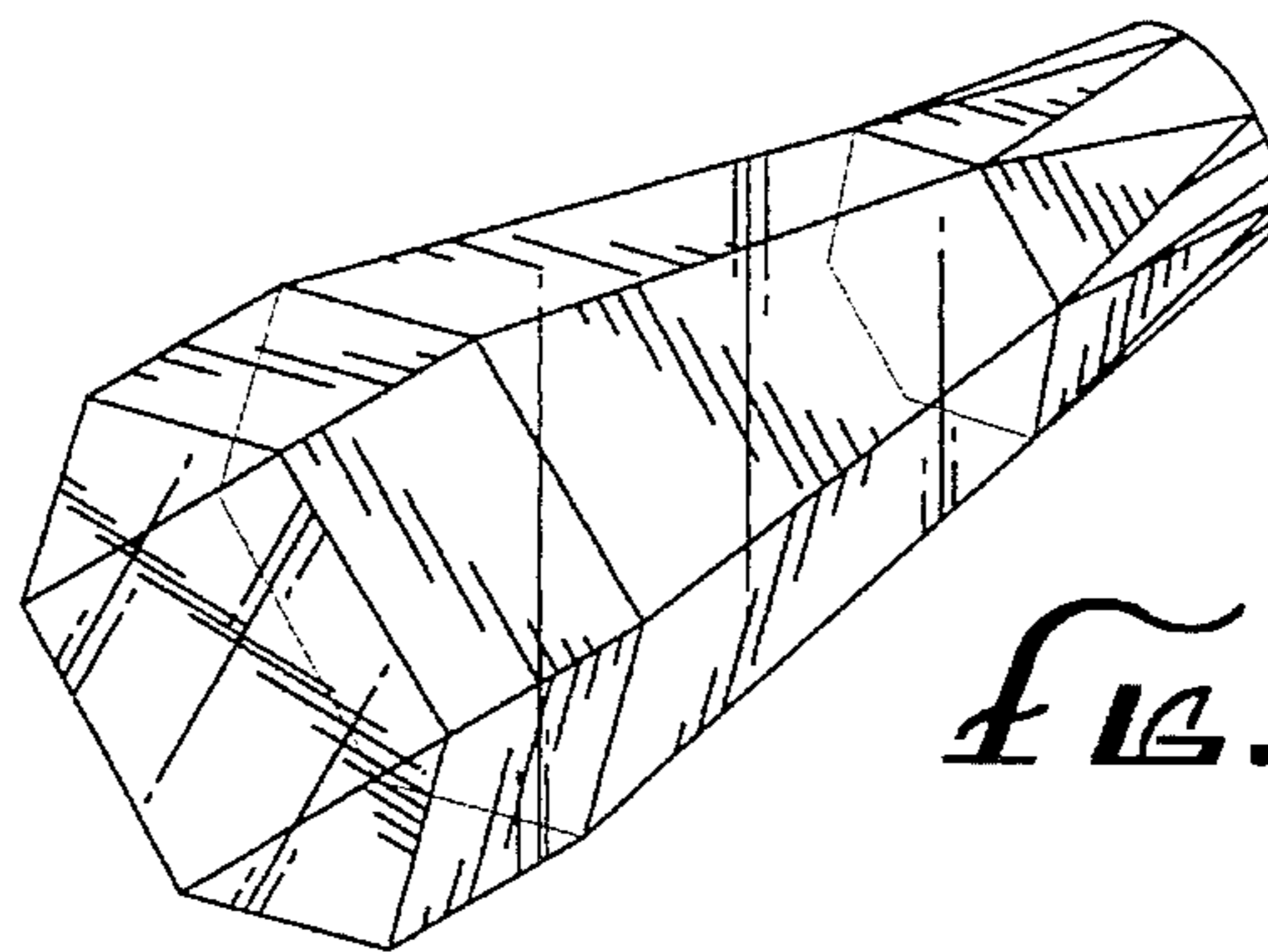


FIG. 5

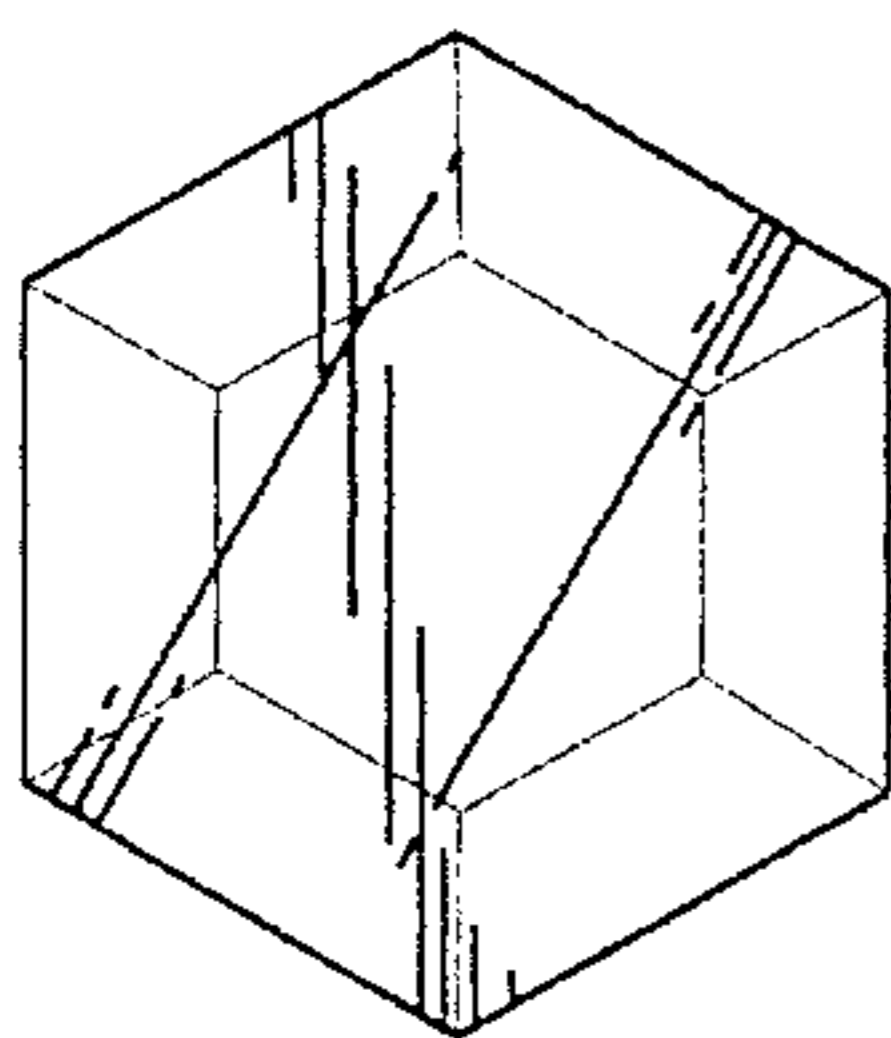


FIG. 7

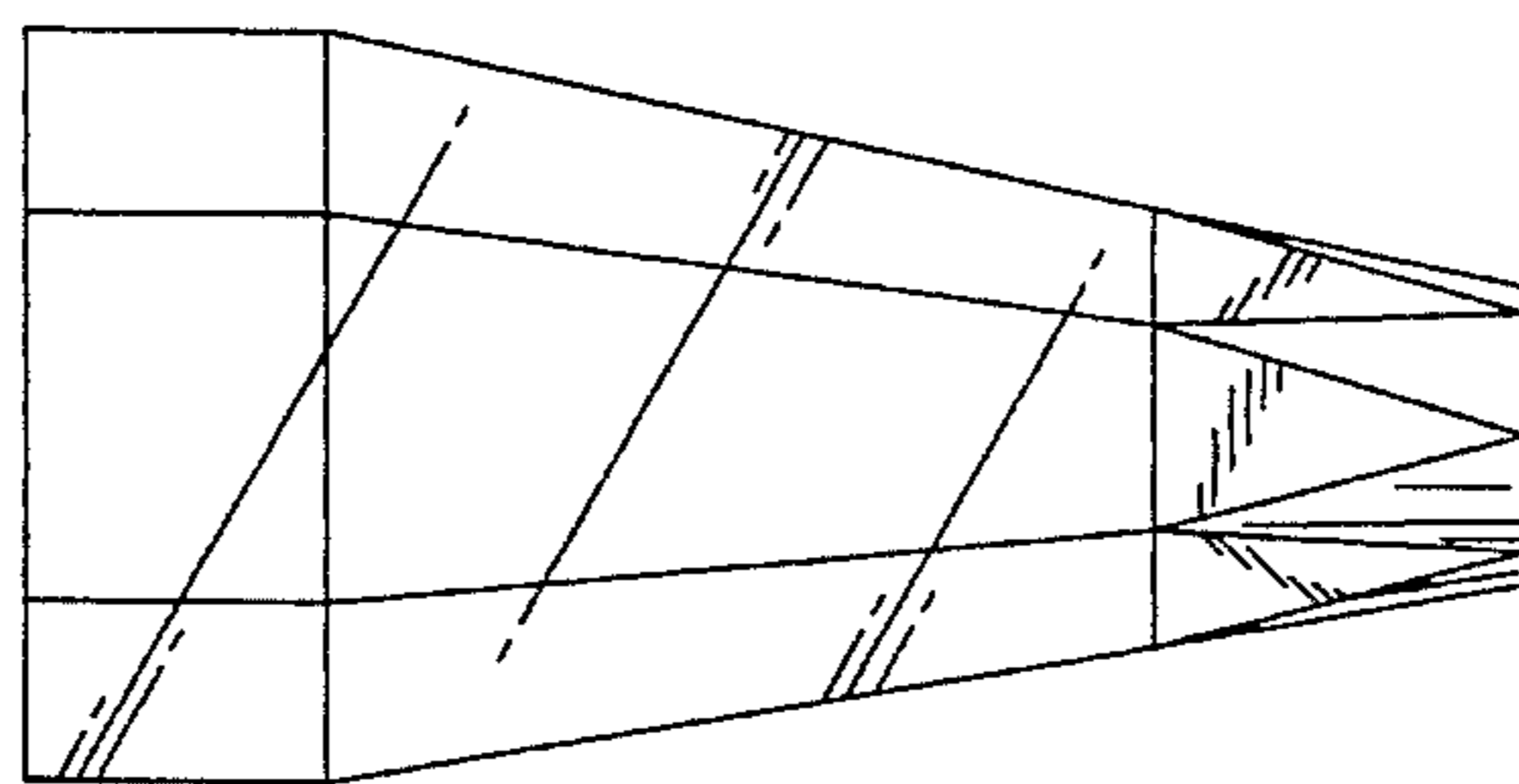


FIG. 6

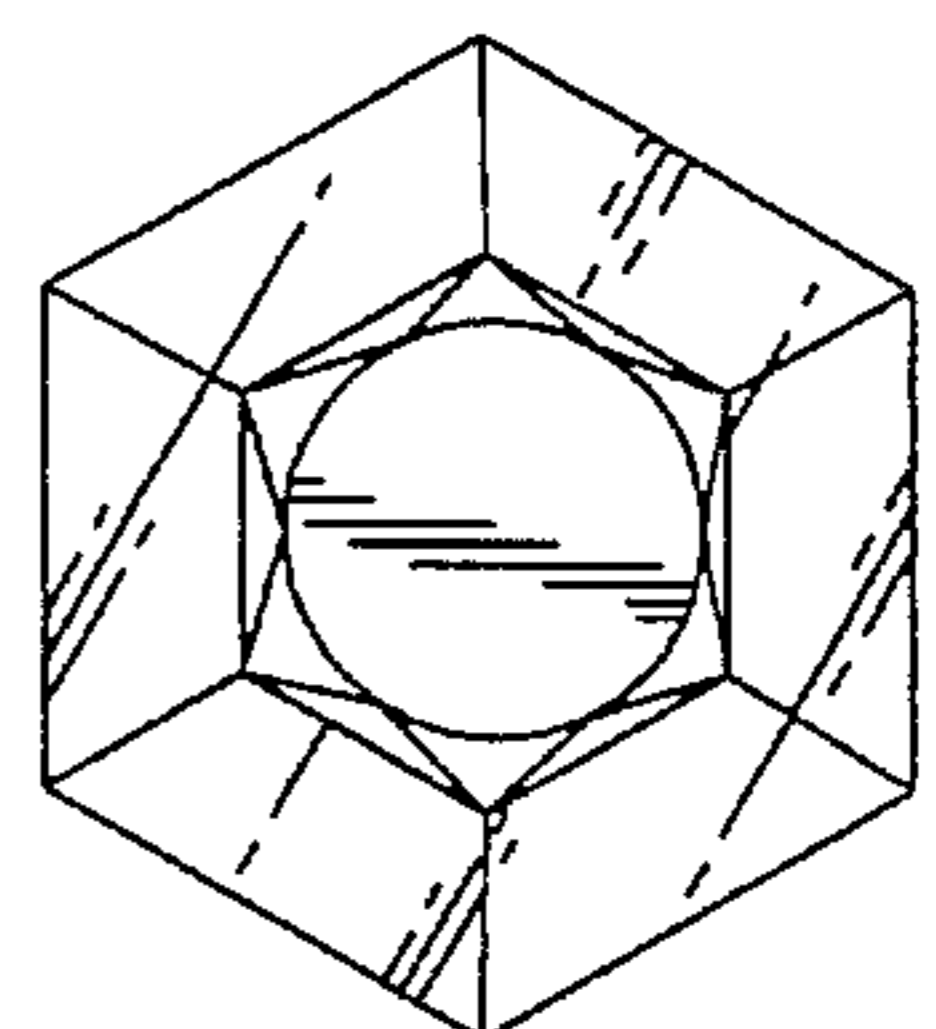


FIG. 8

FIG. 9

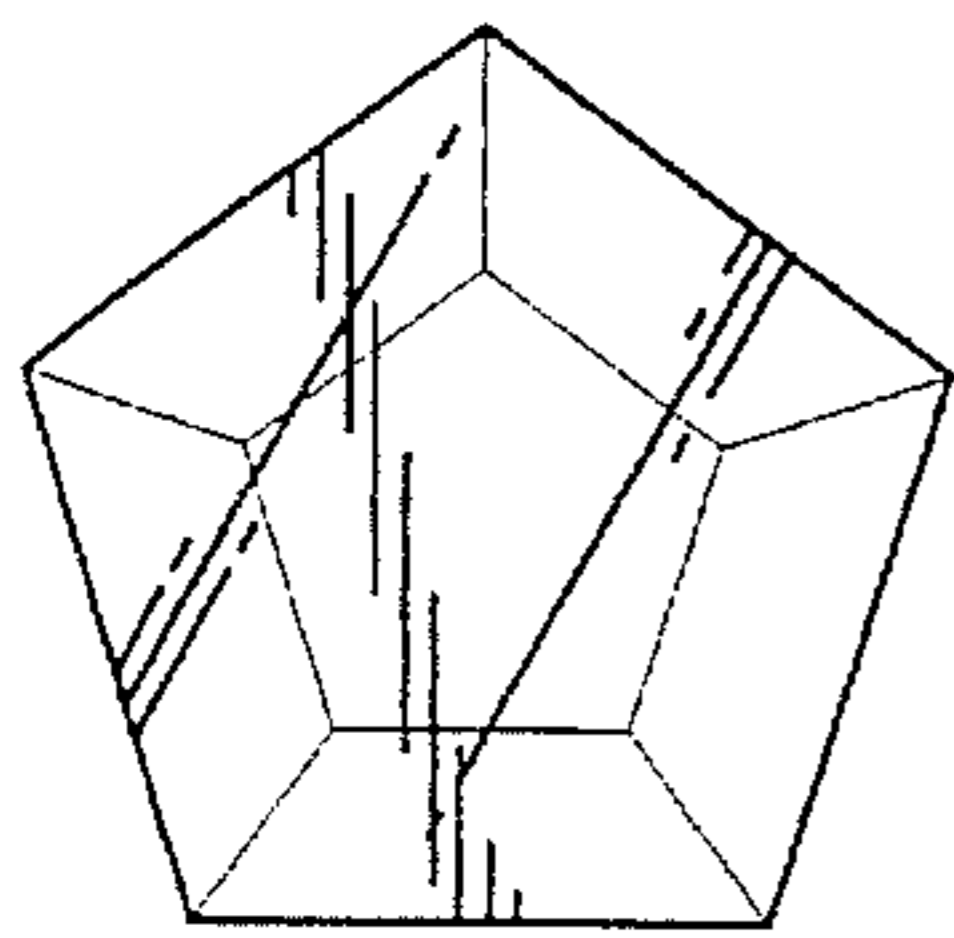
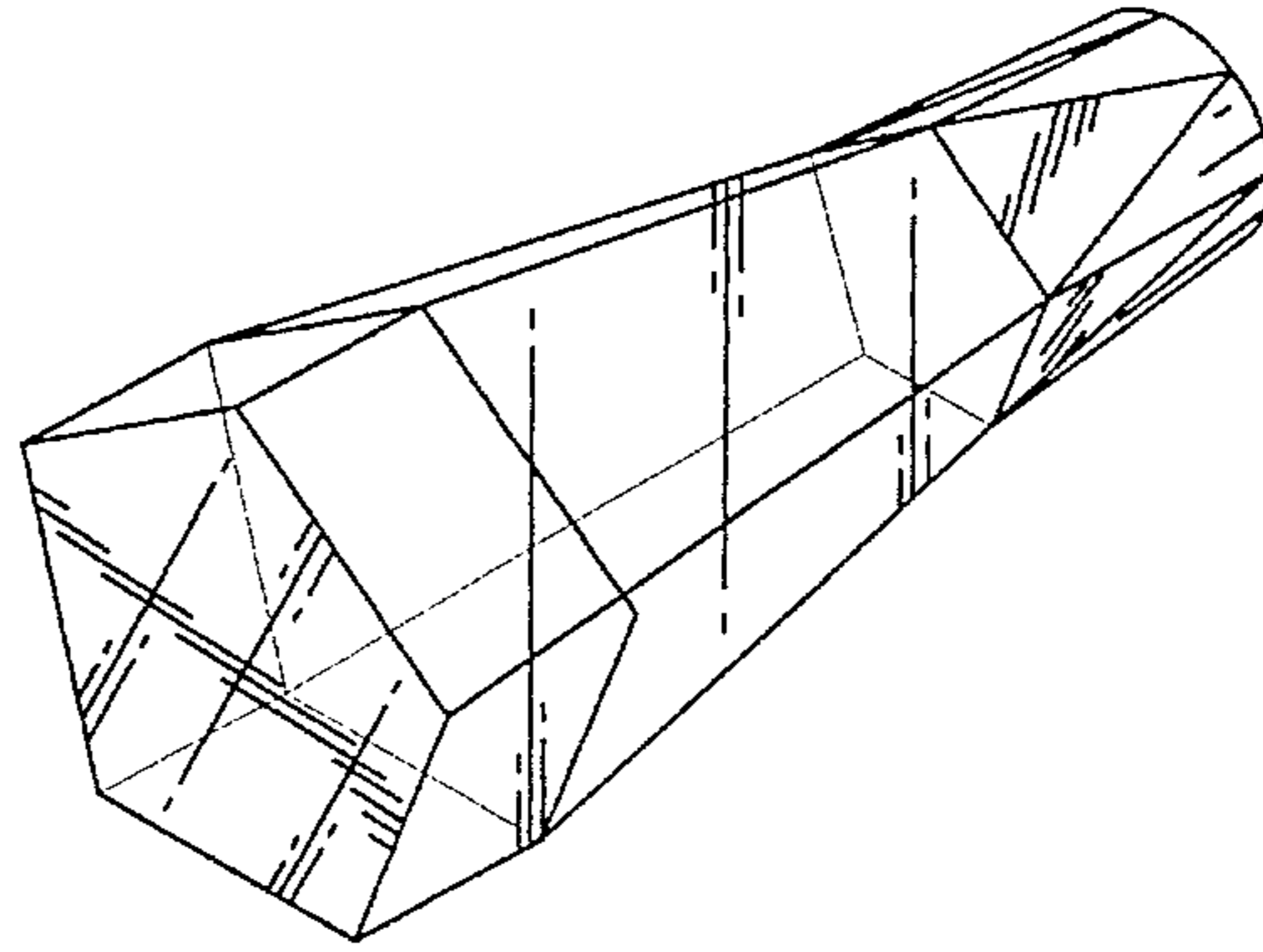


FIG. 11

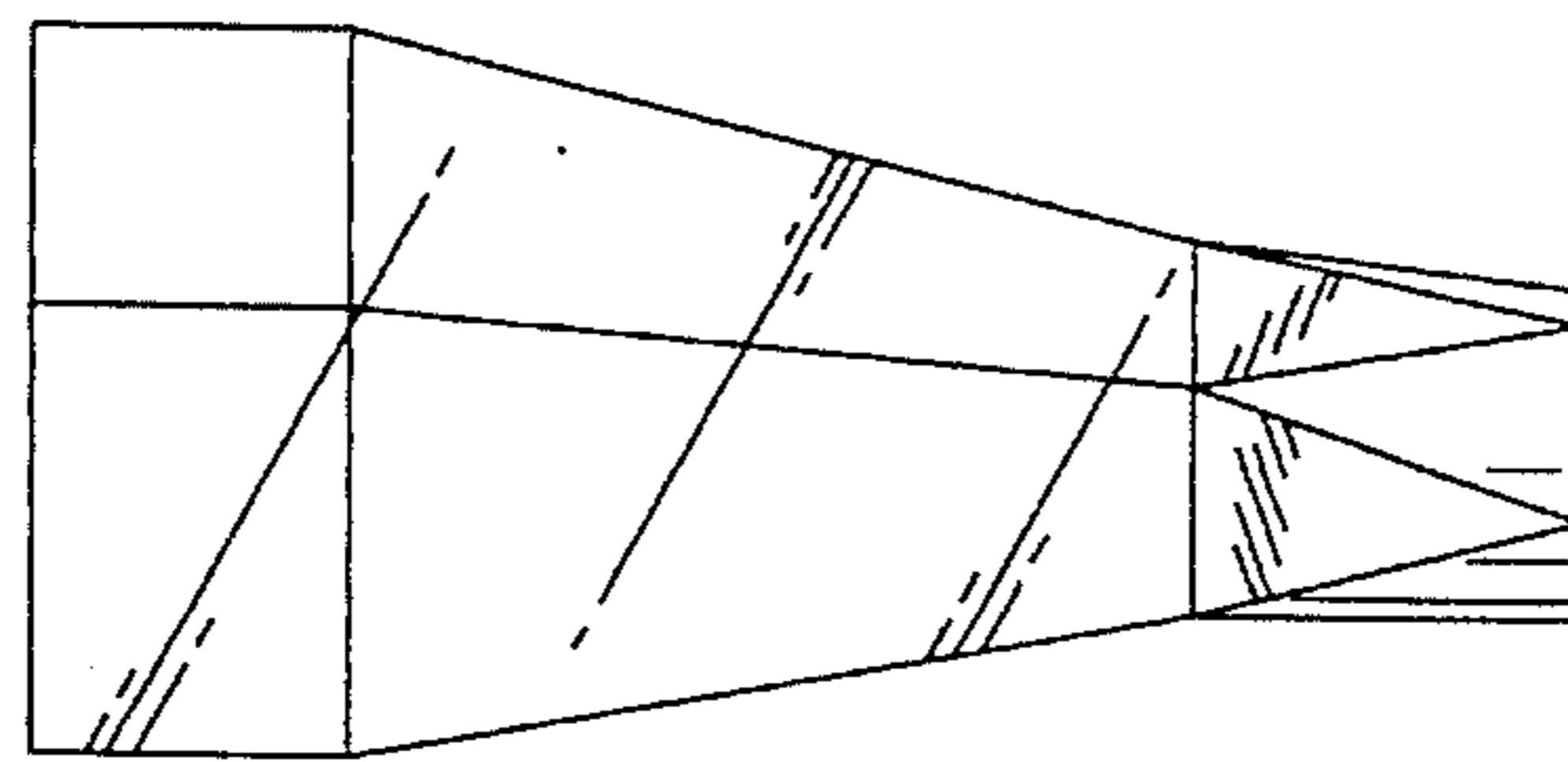


FIG. 10

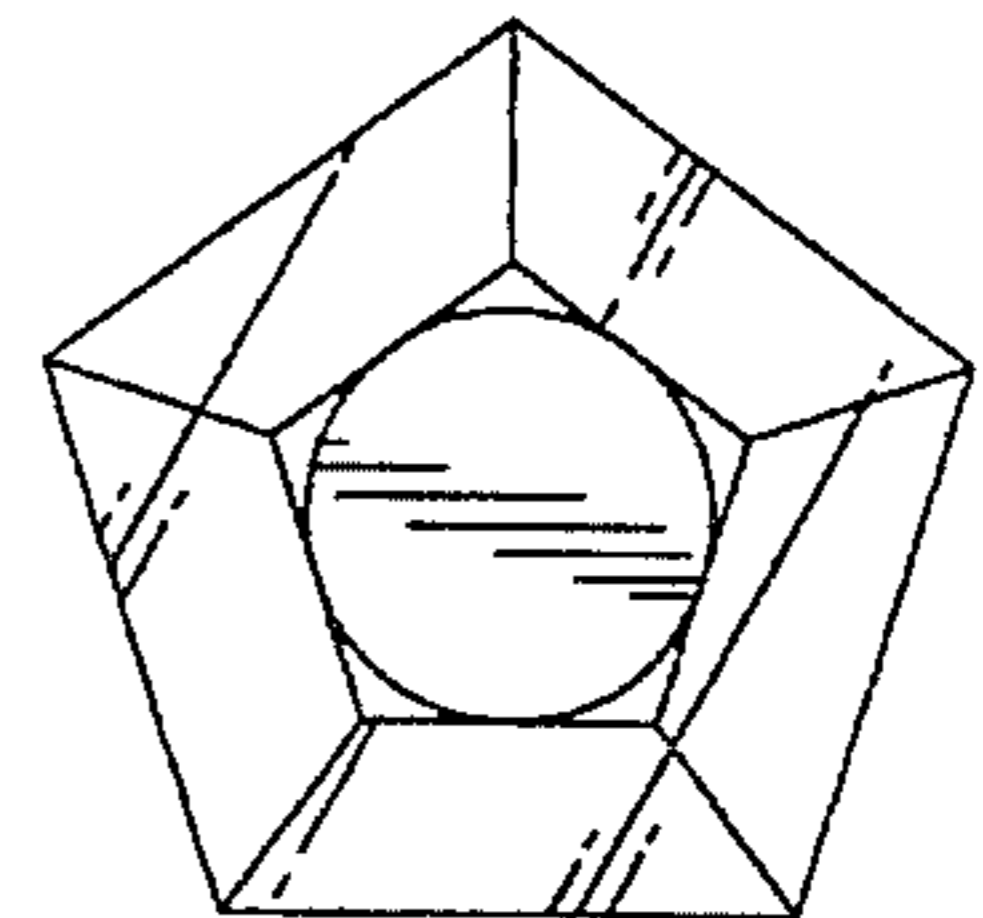


FIG. 12

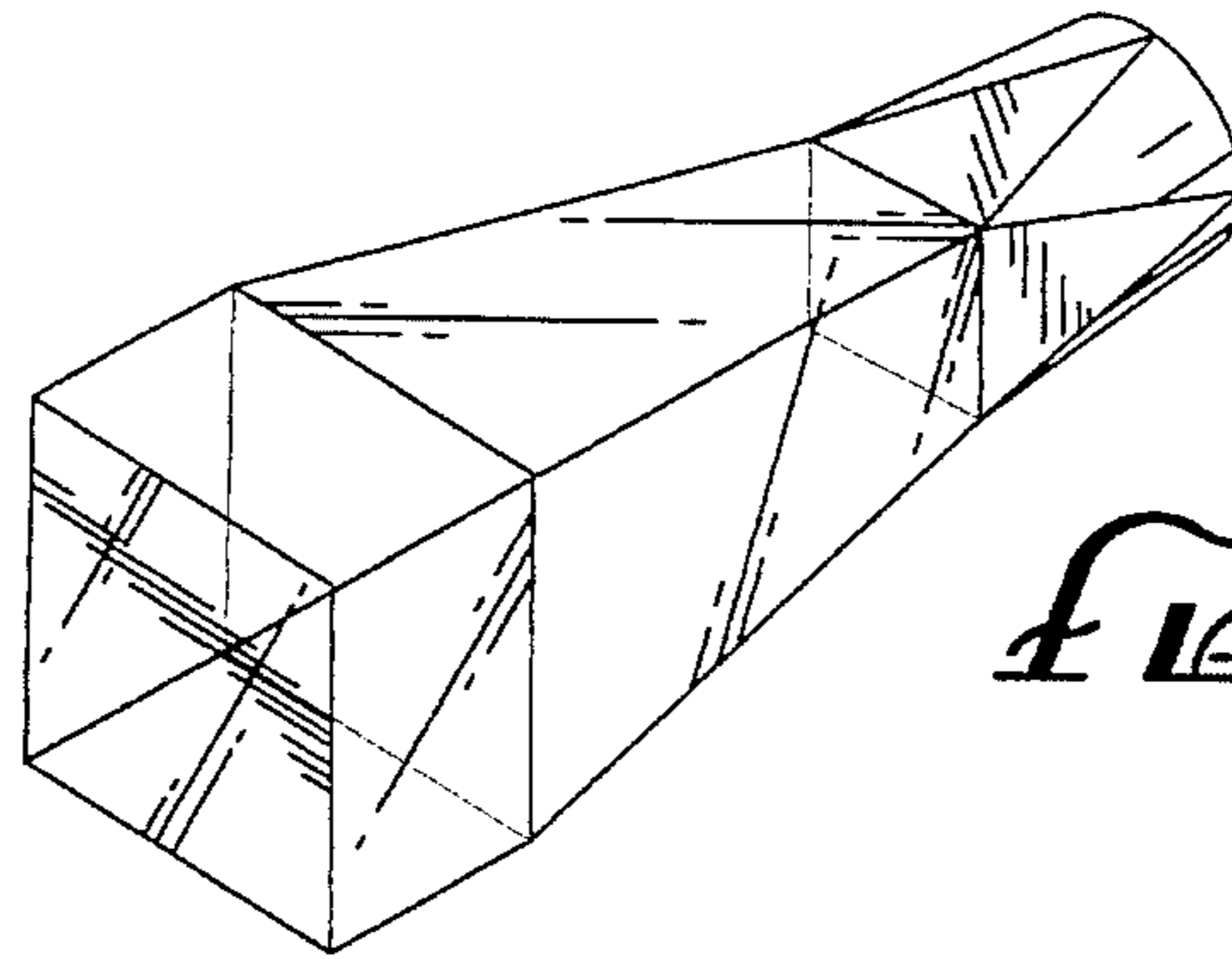


FIG. 13

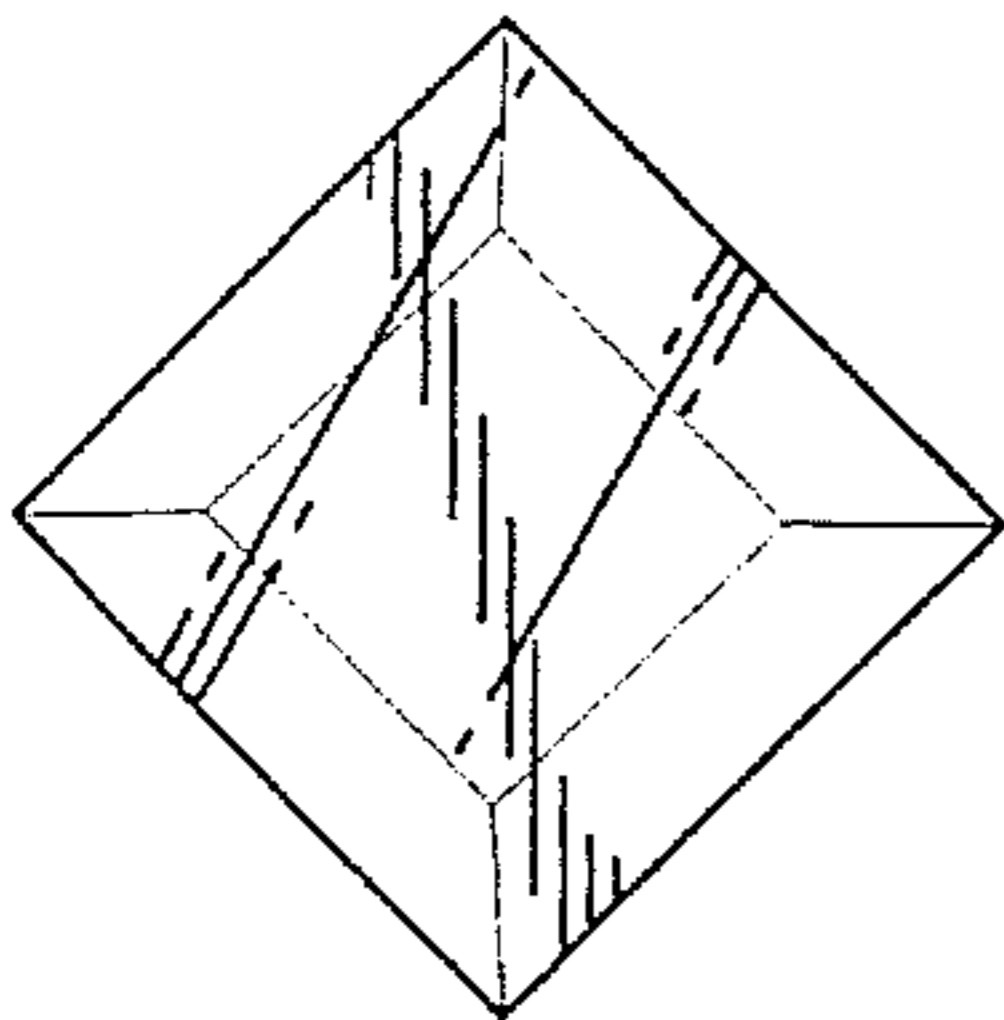


FIG. 14

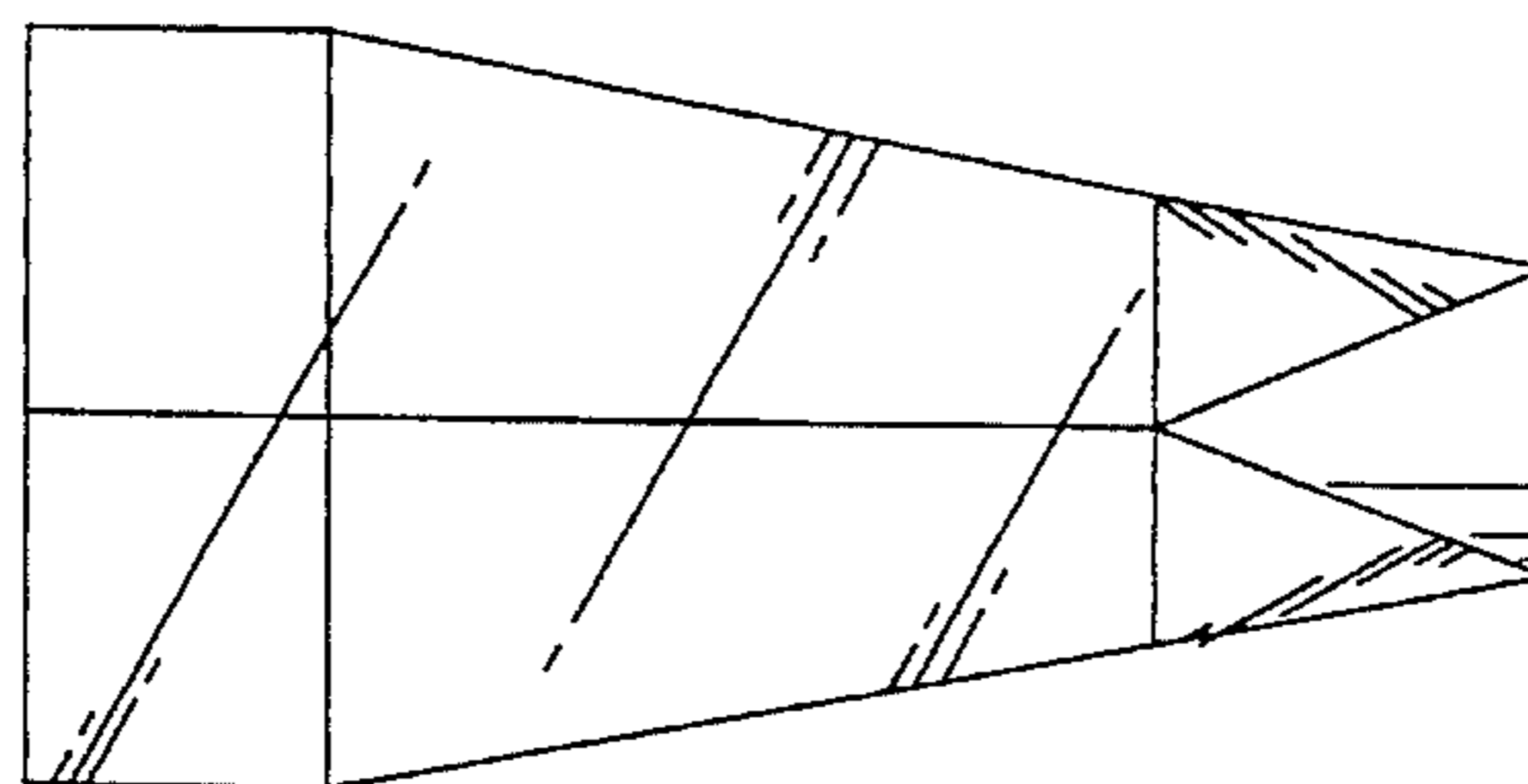


FIG. 15

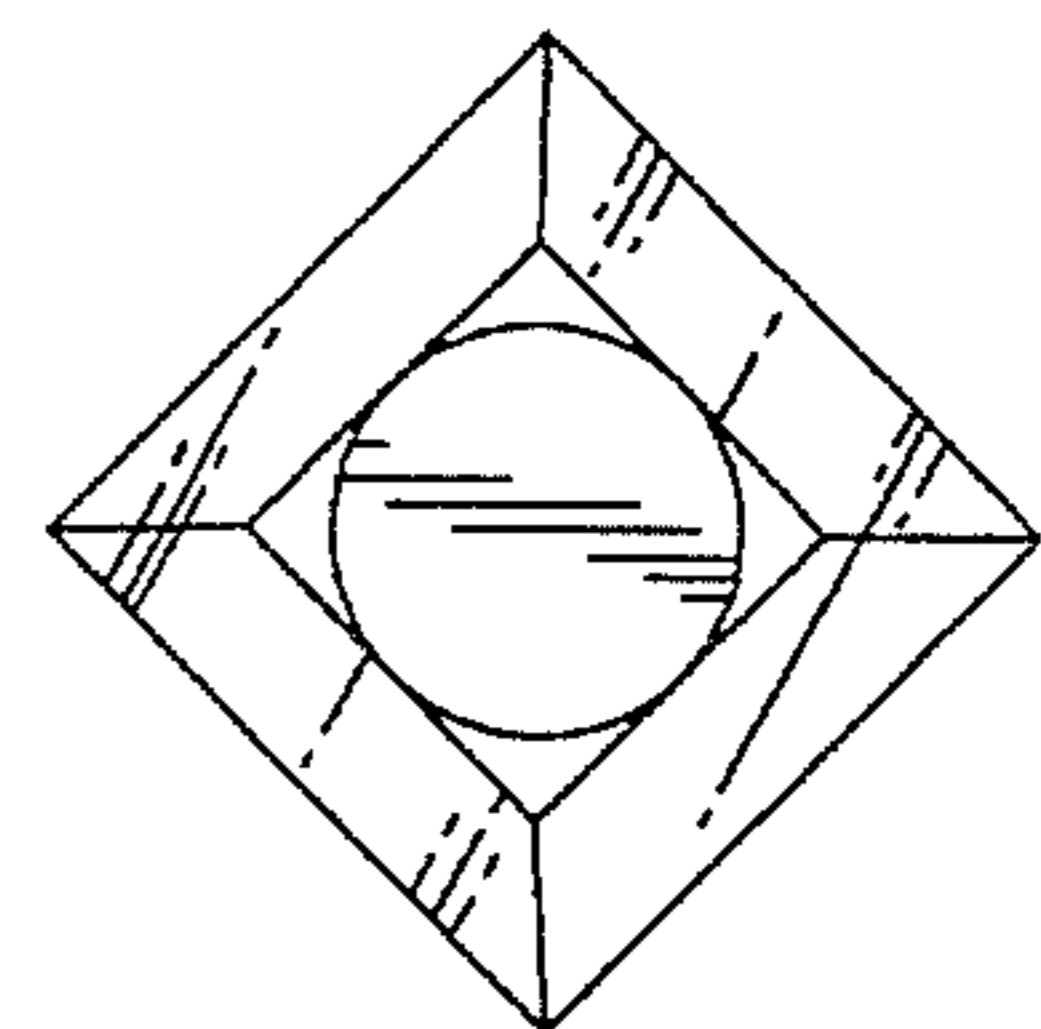


FIG. 16