



US00D372734S

United States Patent [19] Day

[11] Patent Number: **Des. 372,734**

[45] Date of Patent: ****Aug. 13, 1996**

[54] **BOOKMARK**

[76] Inventor: **Marilyn A. Day**, 4787 Gateshead Rd.,
Carlsbad, Calif. 92008

[**] Term: **14 Years**

[21] Appl. No.: **16,515**

[22] Filed: **Dec. 20, 1993**

[52] U.S. Cl. **D19/34**

[58] Field of Search D19/34; 281/42,
281/46; 40/658, 666; 116/234-239; D1/126

[56] **References Cited**

U.S. PATENT DOCUMENTS

D. 280,529	9/1985	Cox	D19/34
D. 281,982	12/1985	Hammond	D19/34
D. 297,148	8/1988	Freedman	D19/34
2,645,197	7/1953	Jones et al.	D19/34

Primary Examiner—Susan J. Lucas
Attorney, Agent, or Firm—John J. Murphey; Murphey Law
Offices

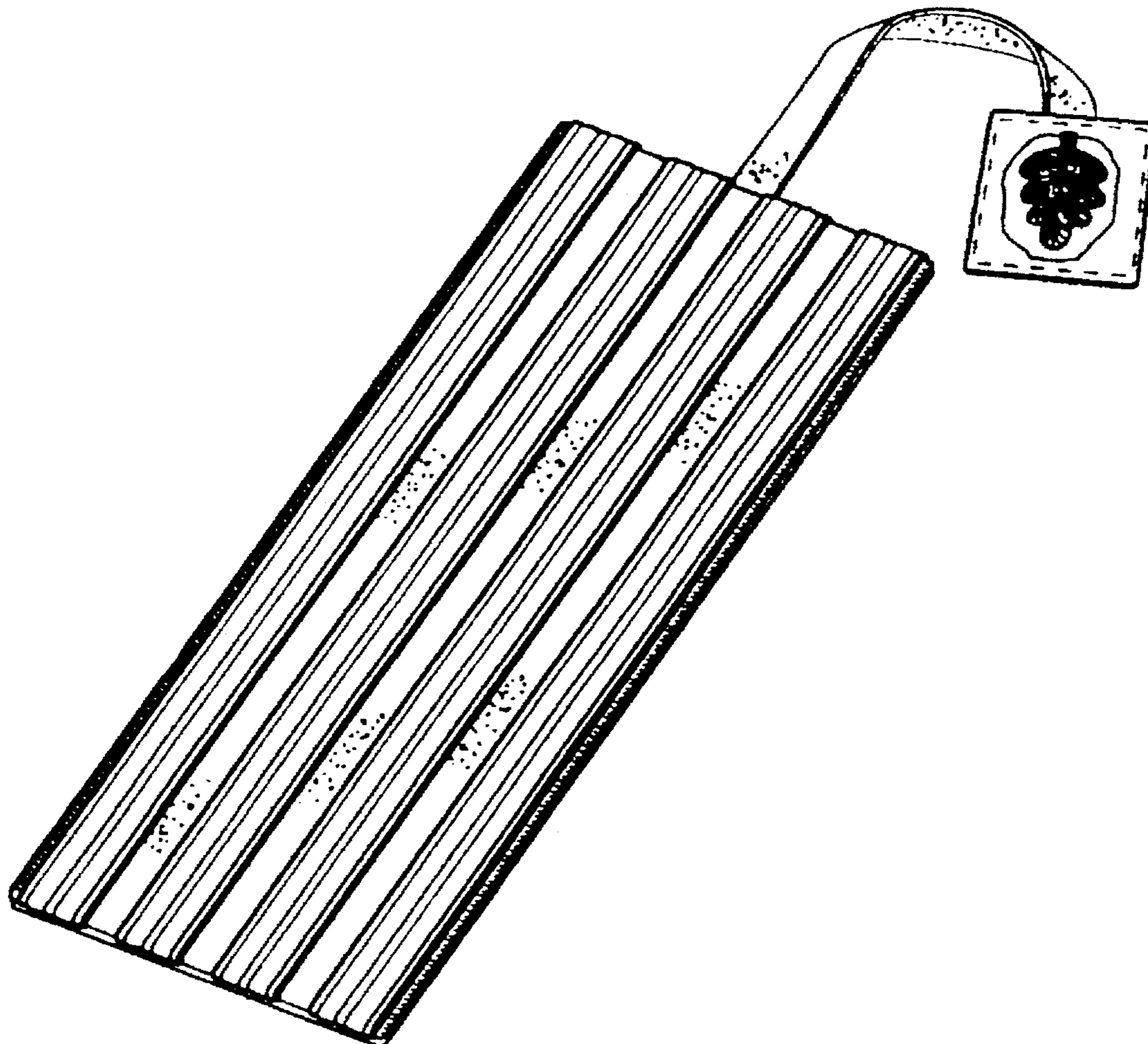
[57] **CLAIM**

The ornamental design of a bookmark, as shown and described.

DESCRIPTION

FIG. 1 is a trimetric view of one embodiment of my new design of a bookmark;
FIG. 2 is a trimetric view thereof of a second embodiment of FIG. 1, the undisclosed rear being the same as in FIG. 7, and the broken lines are shown for illustrative purposes only, forming no part of the claimed design;
FIG. 3 is a front view of the embodiment shown in FIG. 1;
FIG. 4 is a left side view of the embodiment shown in FIG. 3, the right side view being a mirror image thereof;
FIG. 5 is a bottom view of the embodiment shown in FIG. 3;
FIG. 6 is a top view of the embodiment shown in FIG. 3; and,
FIG. 7 is a back view of the embodiment shown in FIG. 3 showing my new design.
The flexible extension of the bookmark is shown in altered positions.

1 Claim, 2 Drawing Sheets



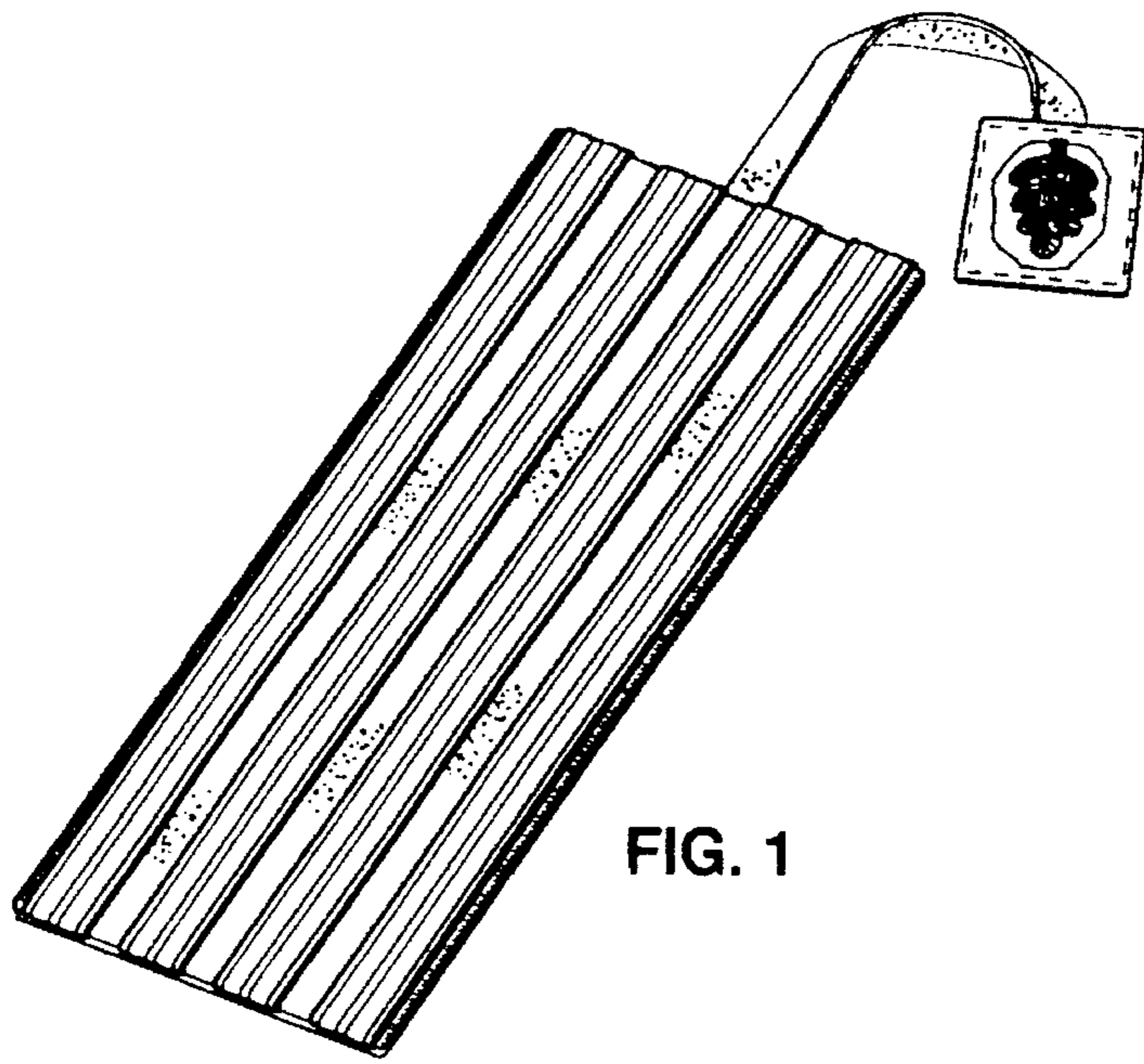


FIG. 1

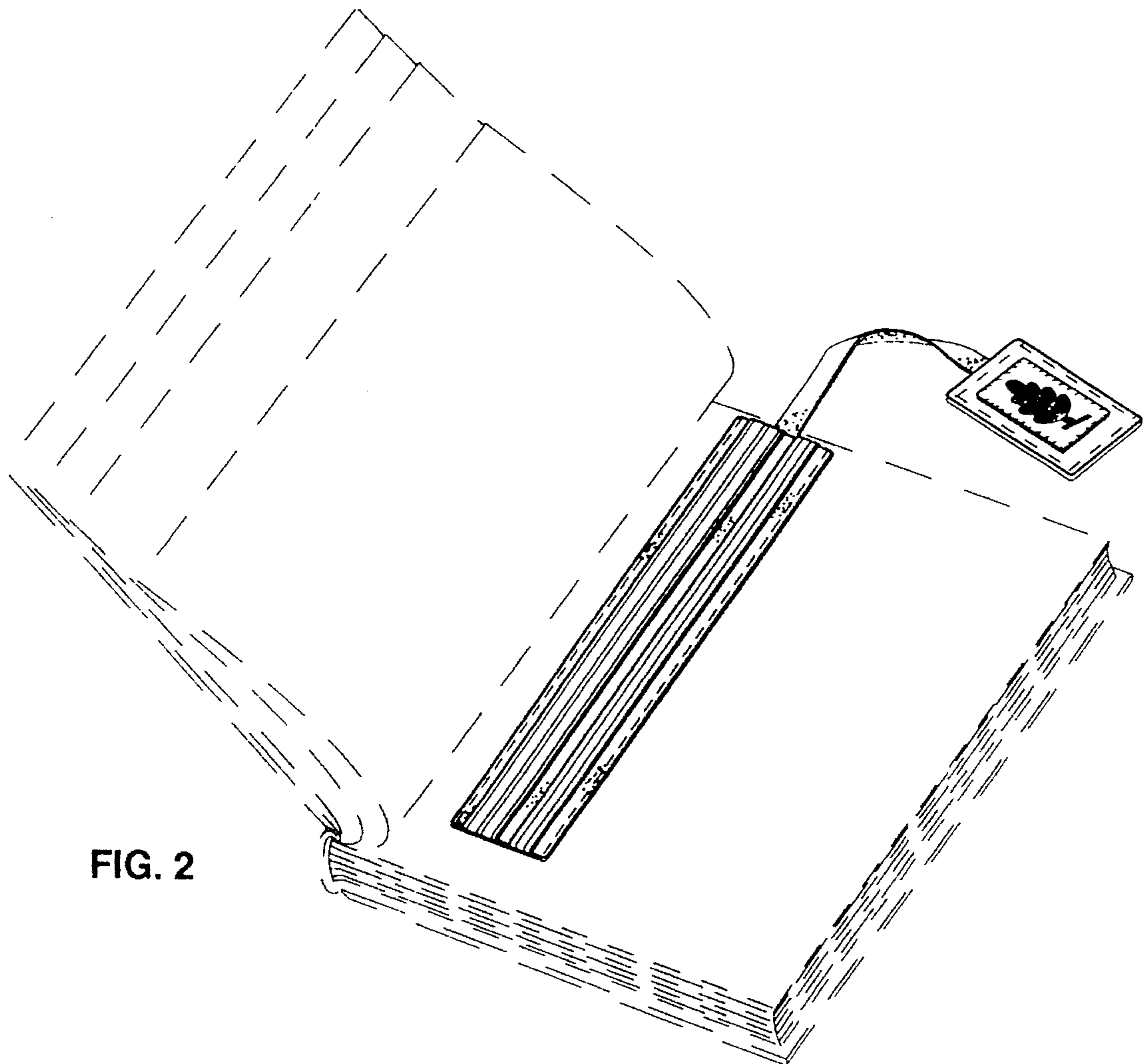


FIG. 2

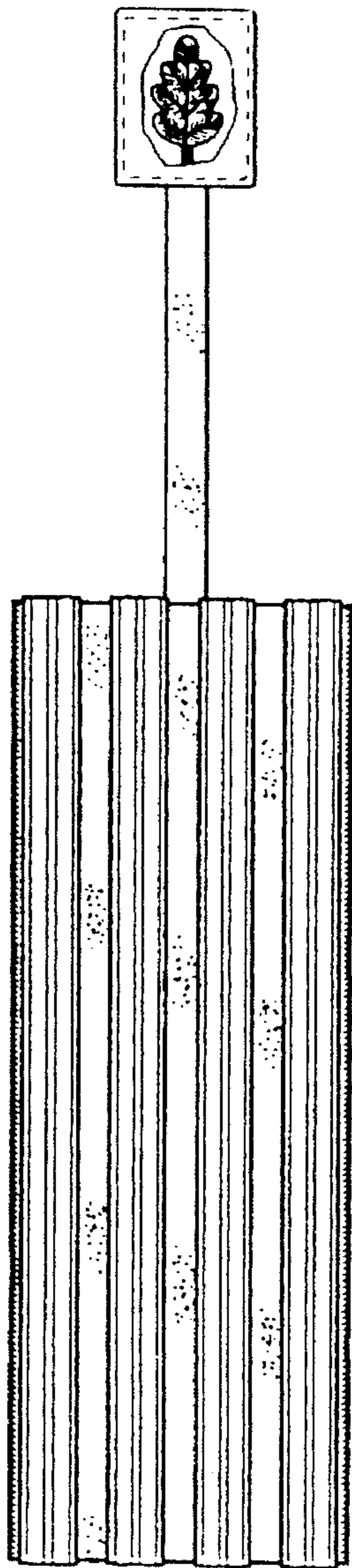


FIG. 3

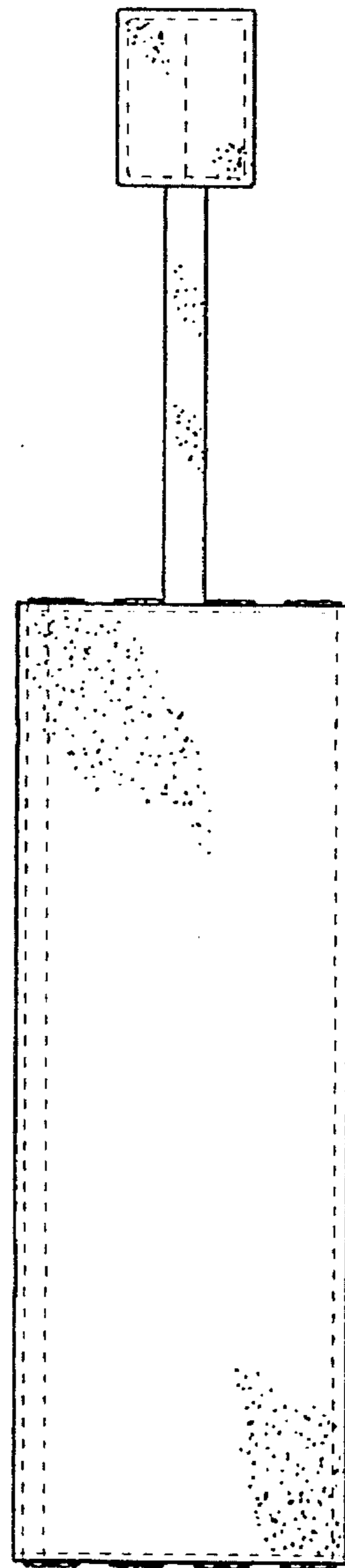


FIG. 7



FIG. 4

FIG. 5



FIG. 6

