



US00D372733S

United States Patent [19]
Yoshida

[11] **Patent Number: Des. 372,733**
[45] **Date of Patent: **Aug. 13, 1996**

[54] **THERMAL PRINTER** 6229635 8/1989 Japan D18/54

[75] Inventor: **Koji Yoshida**, Tokyo, Japan

[73] Assignee: **Fuji Photo Film Co., Ltd.**, Kanagawa, Japan

[**] Term: **14 Years**

[21] Appl. No.: **35,937**

[22] Filed: **Mar. 9, 1995**

[30] **Foreign Application Priority Data**

Oct. 6, 1994 [JP] Japan 6-30470

[52] **U.S. Cl.** **D18/55**

[58] **Field of Search** D18/50, 54, 55;
400/613, 613.1-613.4, 690, 691-694, 690.1-690.4

[56] **References Cited**

U.S. PATENT DOCUMENTS

- D. 322,273 12/1991 Hara D18/55
- D. 322,802 12/1991 Hara D18/55
- D. 337,782 7/1993 Kashiwabara D18/55
- D. 358,603 5/1995 Dodge et al. D18/55

FOREIGN PATENT DOCUMENTS

- 5844423 5/1985 Japan D18/55
- 6236931 6/1989 Japan D18/55

OTHER PUBLICATIONS

General Parametrics brochure; Spectra* Star Q10 Color Printer.

Primary Examiner—Cathy Anne MacCormac
Attorney, Agent, or Firm—Young & Thompson

[57] **CLAIM**

The ornamental design for a thermal printer, as shown and described.

DESCRIPTION

FIG. 1 is a front, top and side perspective view of a thermal printer showing my new design;
 FIG. 2 is a front elevational view thereof;
 FIG. 3 is a rear elevational view thereof;
 FIG. 4 is a top plan view thereof;
 FIG. 5 is a bottom plan view thereof;
 FIG. 6 is a side elevational view thereof from the left of FIG. 2;
 FIG. 7 is a side elevational view thereof from the right of FIG. 2; and,
 FIG. 8 is a view similar to FIG. 1, but with a cassette and tray removed.

1 Claim, 4 Drawing Sheets

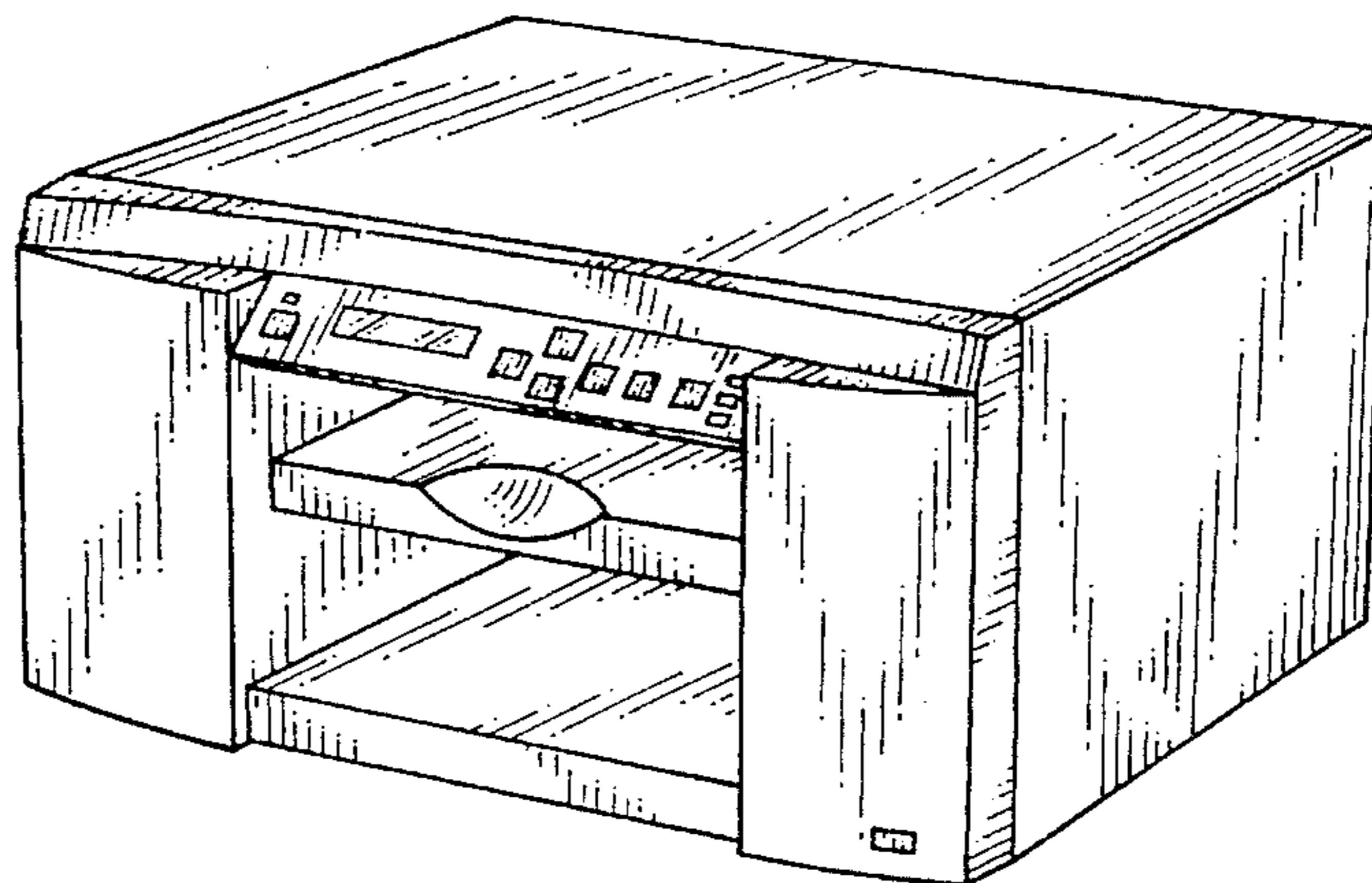
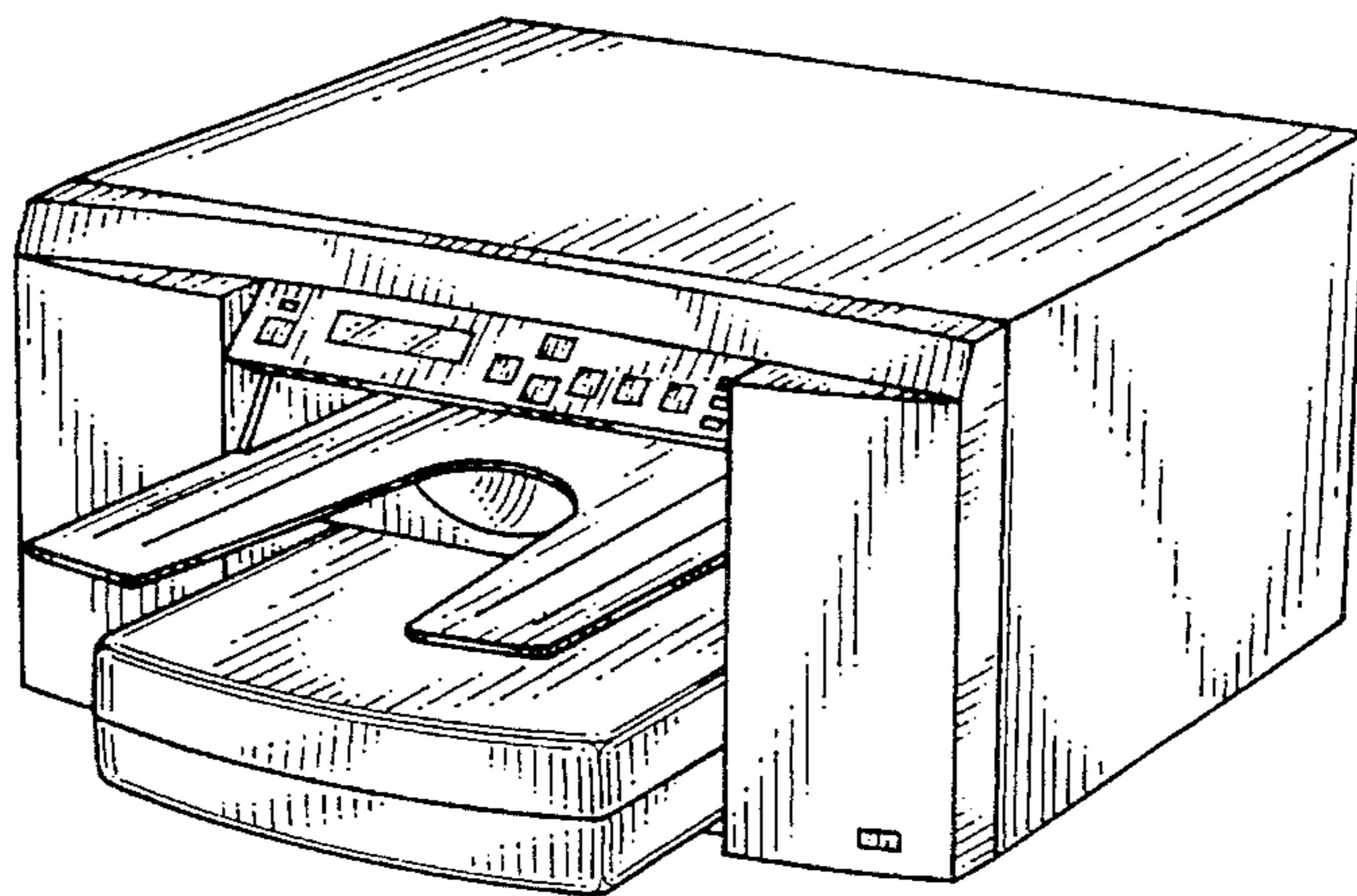


FIG. 1

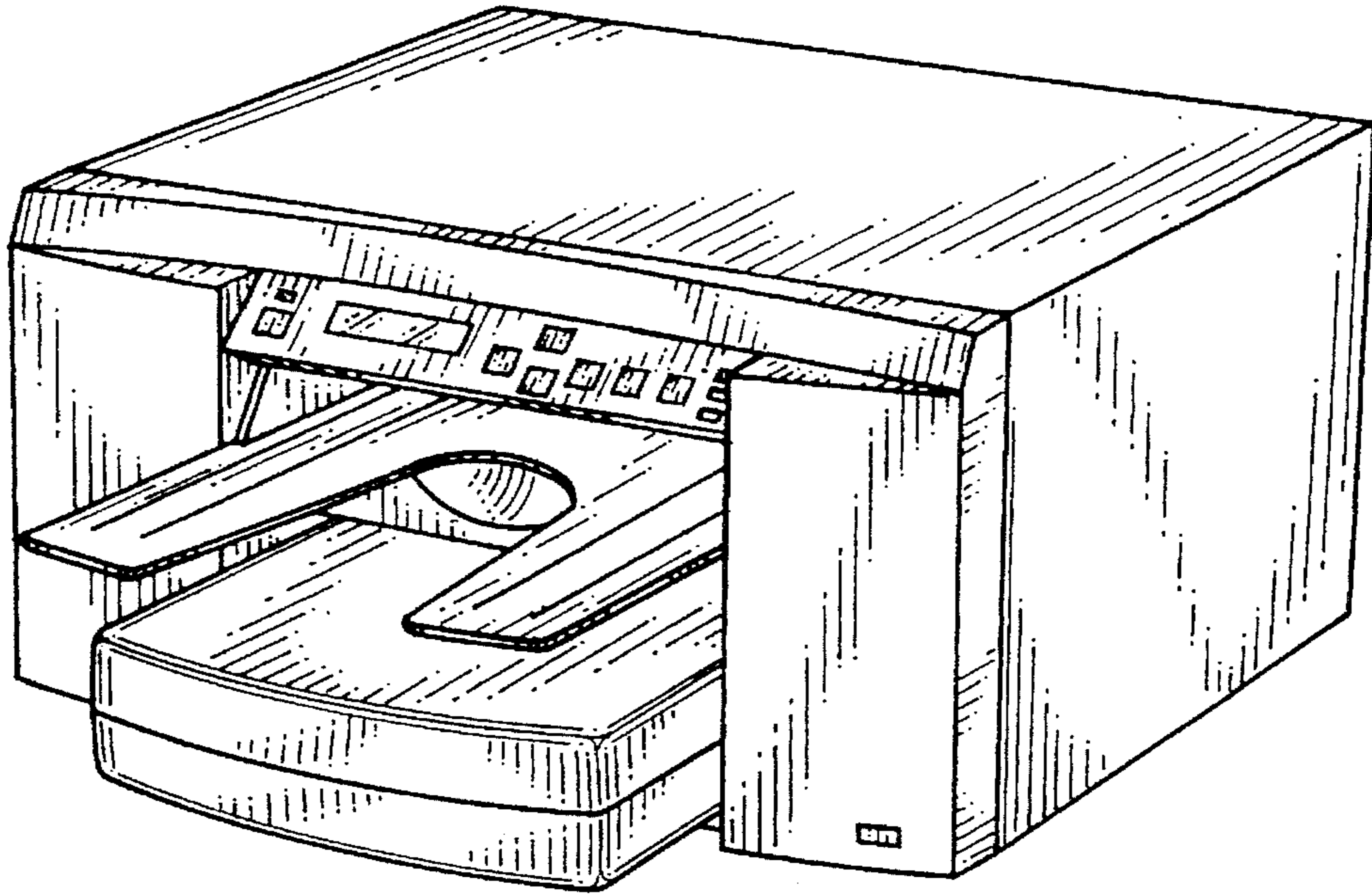


FIG. 8

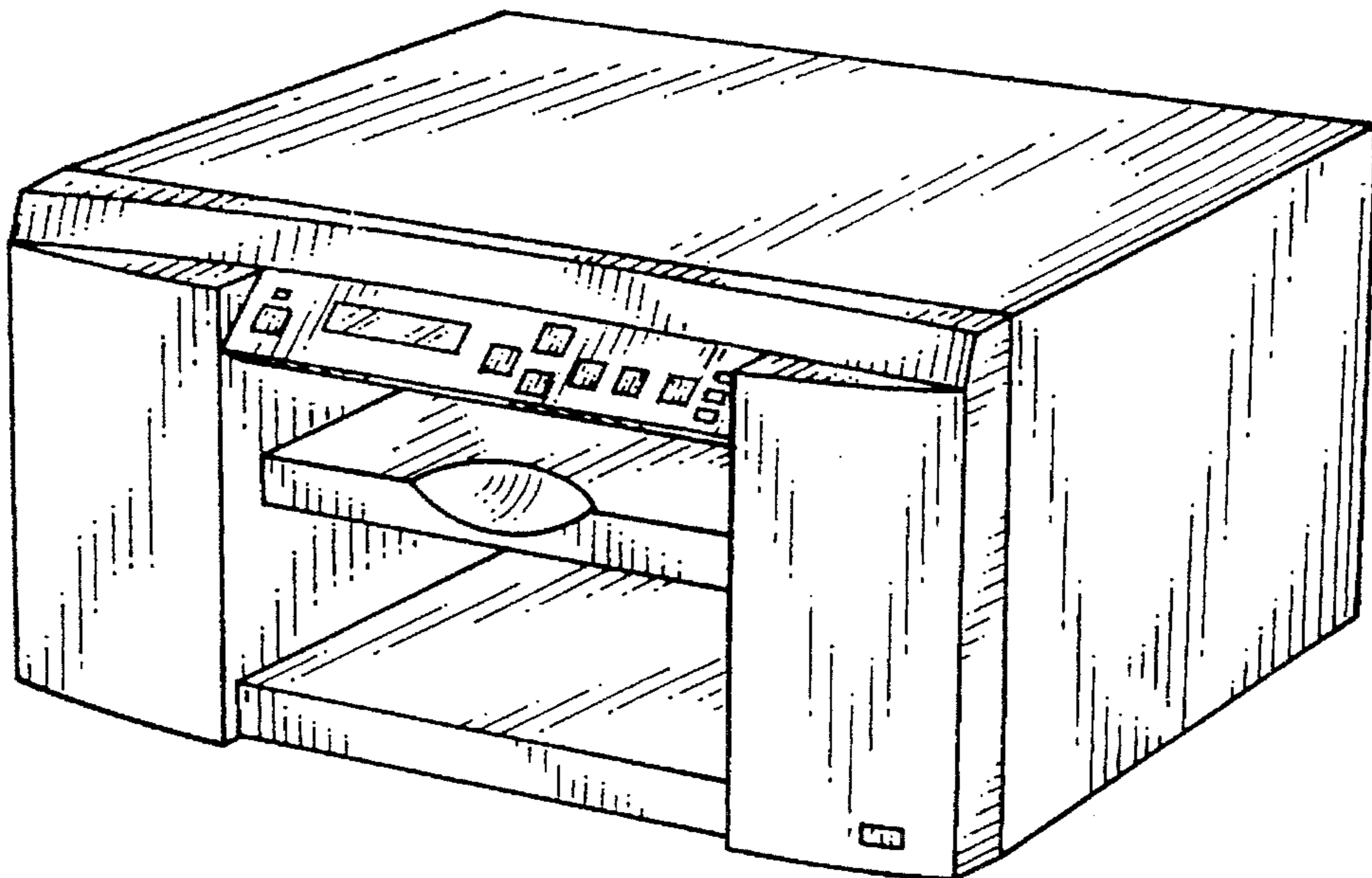


FIG. 2

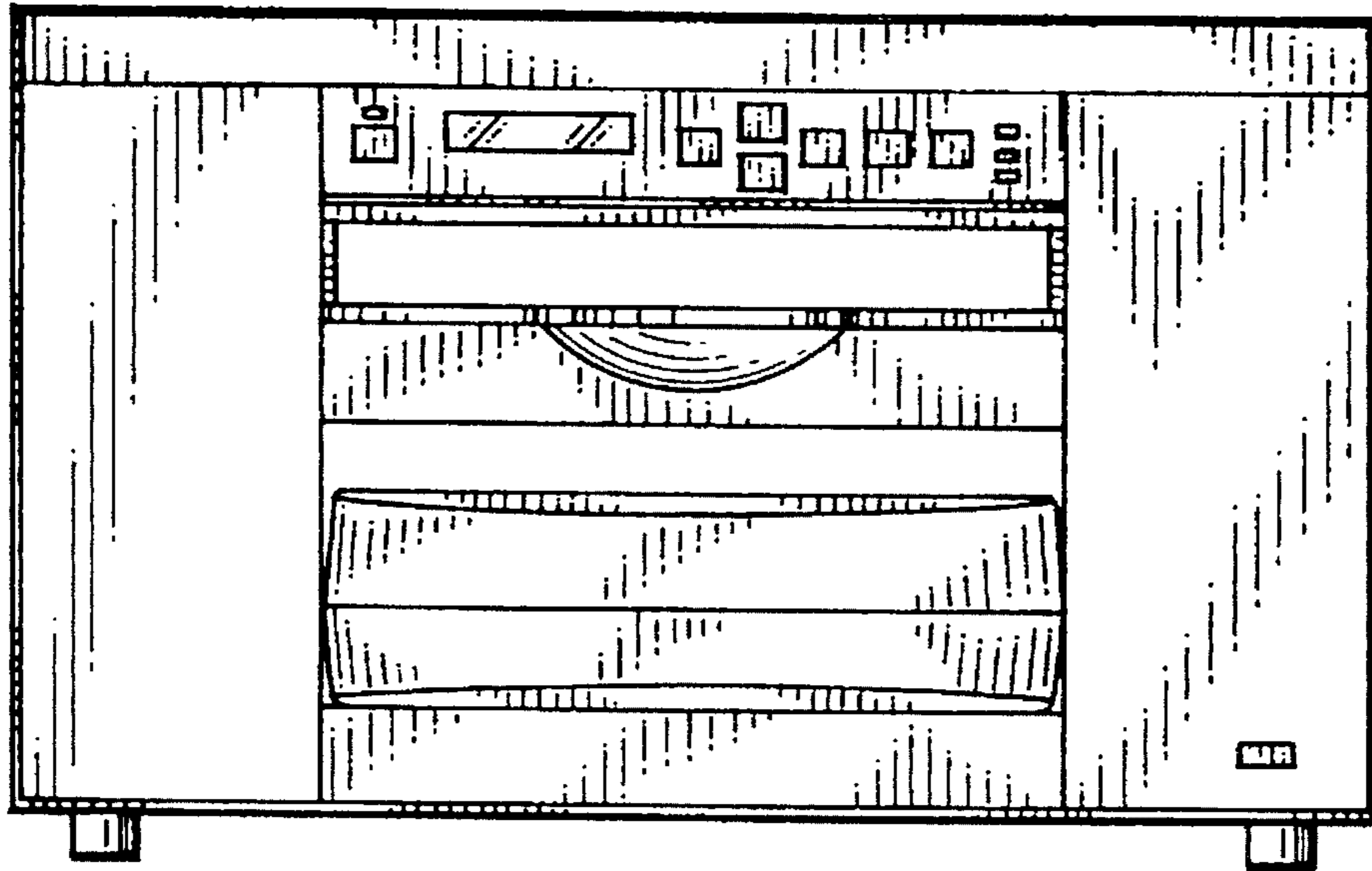


FIG. 3

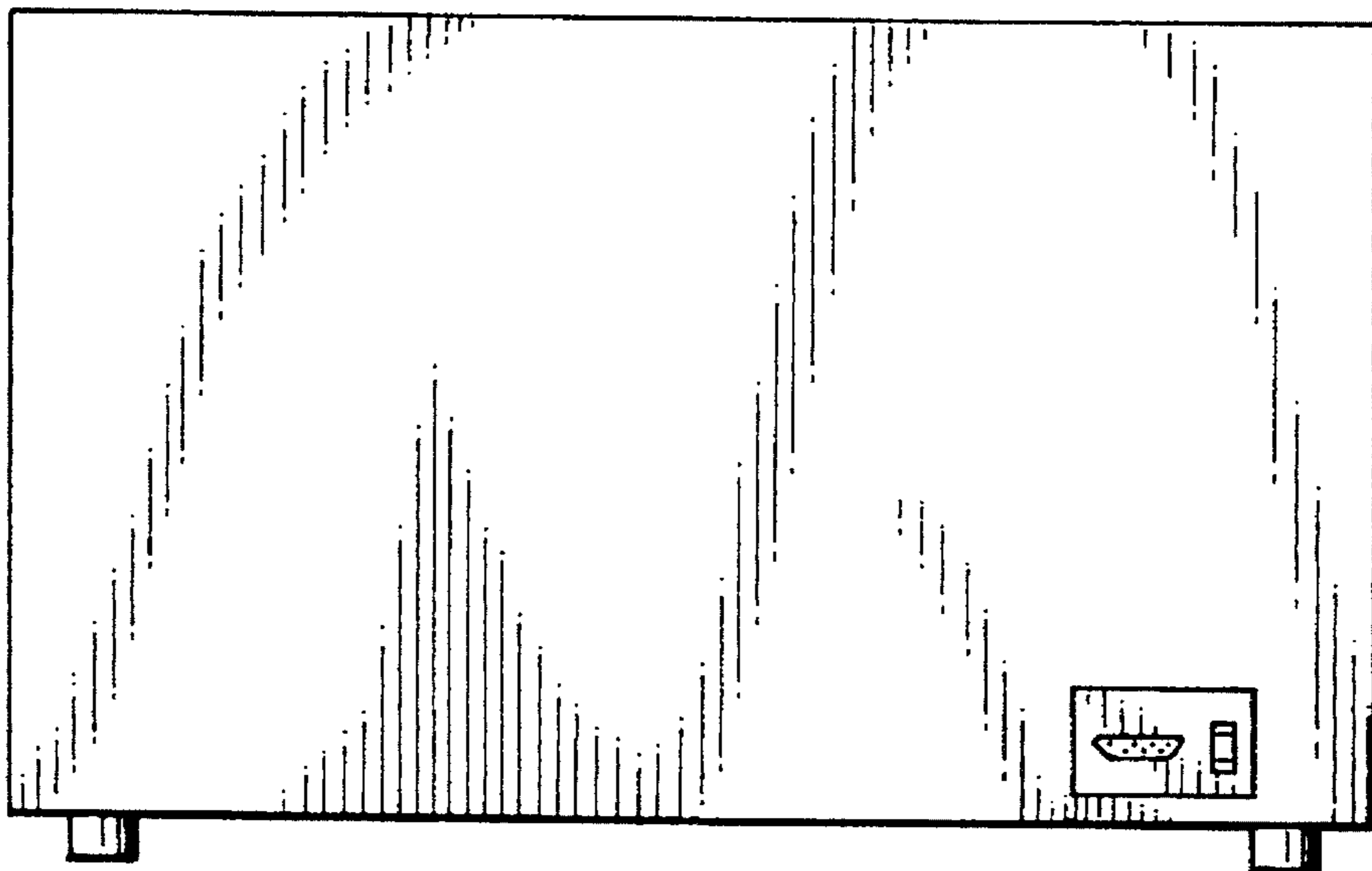


FIG. 4

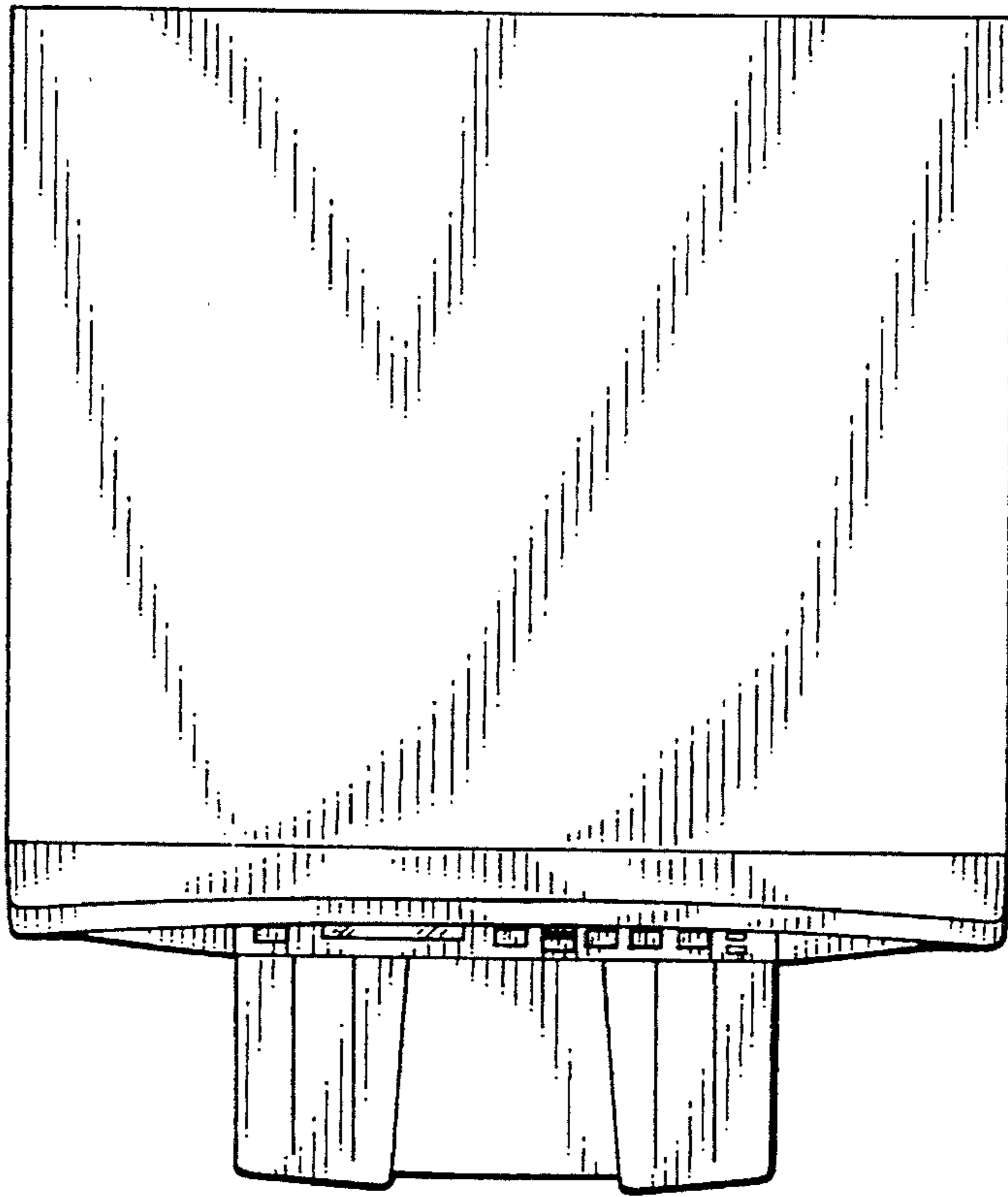


FIG. 5

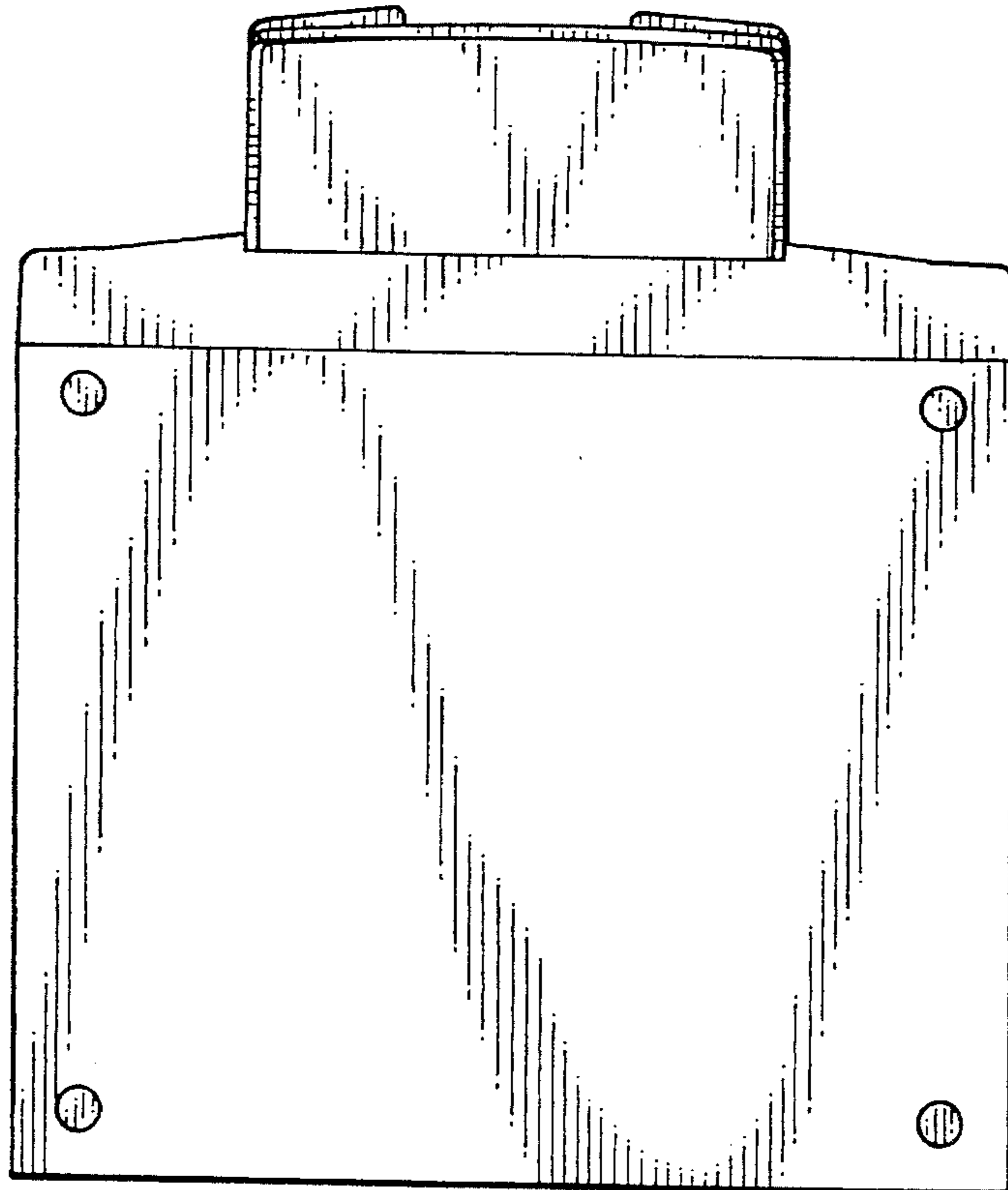


FIG. 6

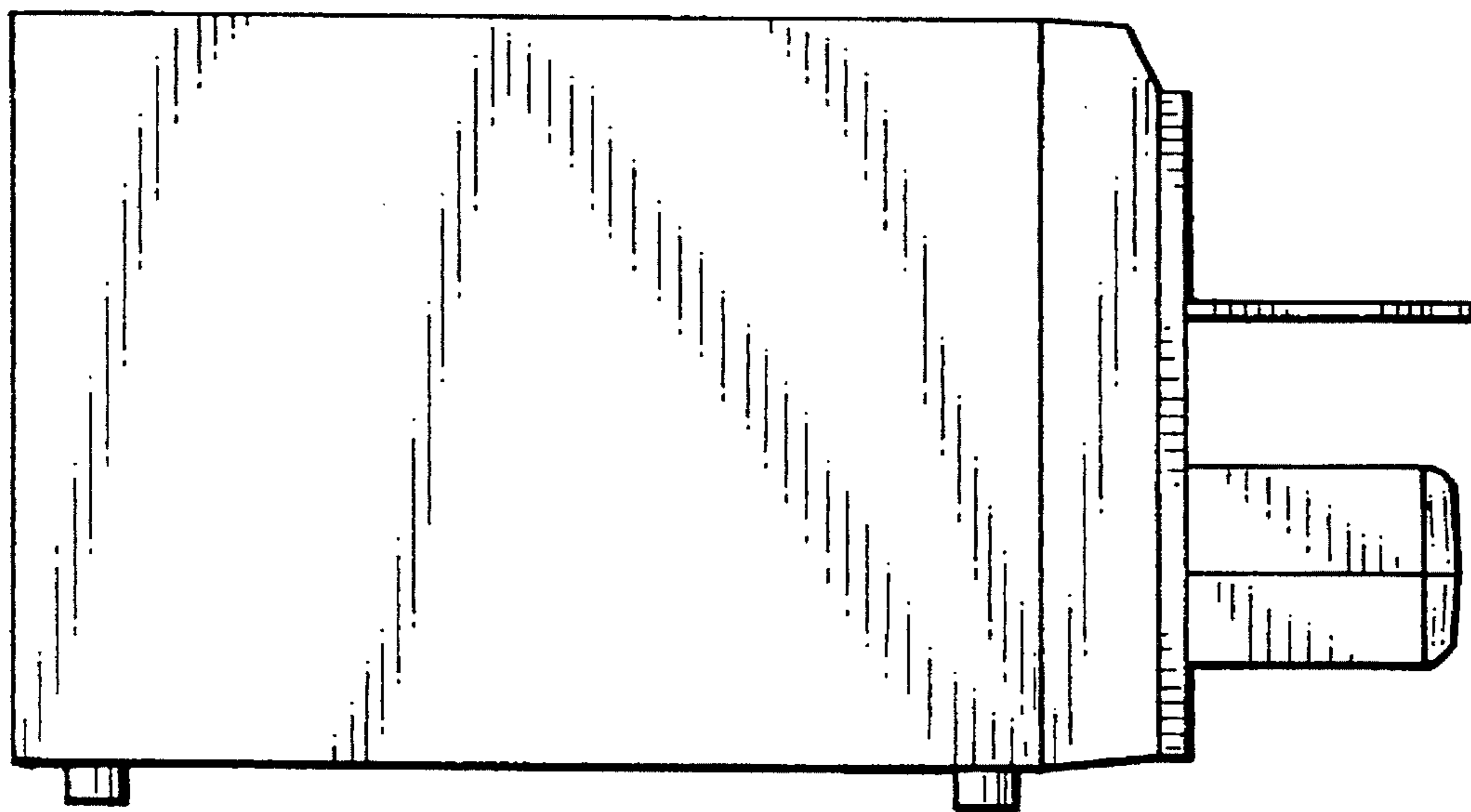


FIG. 7

