



US00D372731S

United States Patent [19]

Yasoshima

[11] Patent Number: **Des. 372,731**

[45] Date of Patent: ****Aug. 13, 1996**

[54] **COMBINED STAMP PAD AND CONTAINER**

[75] Inventor: **Haruo Yasoshima**, Tokyo, Japan

[73] Assignee: **Tsukineko, Inc.**, Redmond, Wash.

[**] Term: **14 Years**

[21] Appl. No.: **20,730**

[22] Filed: **Mar. 30, 1994**

[52] U.S. Cl. **D18/17**

[58] Field of Search 101/333, 101, 101/114; D18/15, 17, 18; 118/264-270; D19/65, 70, 75; D28/78, 79, 80, 83

[56] References Cited

U.S. PATENT DOCUMENTS

D. 184,720	3/1959	Fleming	D18/17
D. 247,063	1/1978	Funahashi	D18/17
D. 252,935	9/1979	Henkels	D19/77
D. 331,418	12/1992	Winston	D18/15
D. 345,826	4/1994	Byars et al.	D28/83
D. 347,089	5/1994	Byars et al.	D28/83
848,063	3/1907	Sommer	101/202
1,173,092	2/1916	Bickerton	118/71
1,463,718	7/1923	Munson	118/264
1,598,538	8/1926	Mann	118/269
1,796,137	3/1931	Baumgarten	118/264
2,117,470	5/1938	Zareko	118/255
2,290,488	7/1942	Munson	118/264
2,723,476	11/1955	Lyon	101/335
3,326,180	4/1967	Lofgren	118/270
4,986,175	1/1991	Boehringer	101/125

FOREIGN PATENT DOCUMENTS

546609 of 0000 Canada 101/333

4312881	11/1992	Japan	101/333
4940	of 1896	United Kingdom	118/264
2045687	11/1980	United Kingdom	.	

OTHER PUBLICATIONS

Tsukineko, Japanese catalog, 1993.
Rubber stamp catalog, Clearsnap, Inc., 1990; Cover Pg., pp. 24, 25, 6.
Ink-A-Dink-A-Do, 4 Inks in One Stamp Pad; on sale prior to Mar. 30, 1992.

Primary Examiner—Cathy Anne MacCormac
Attorney, Agent, or Firm—Seed and Berry LLP

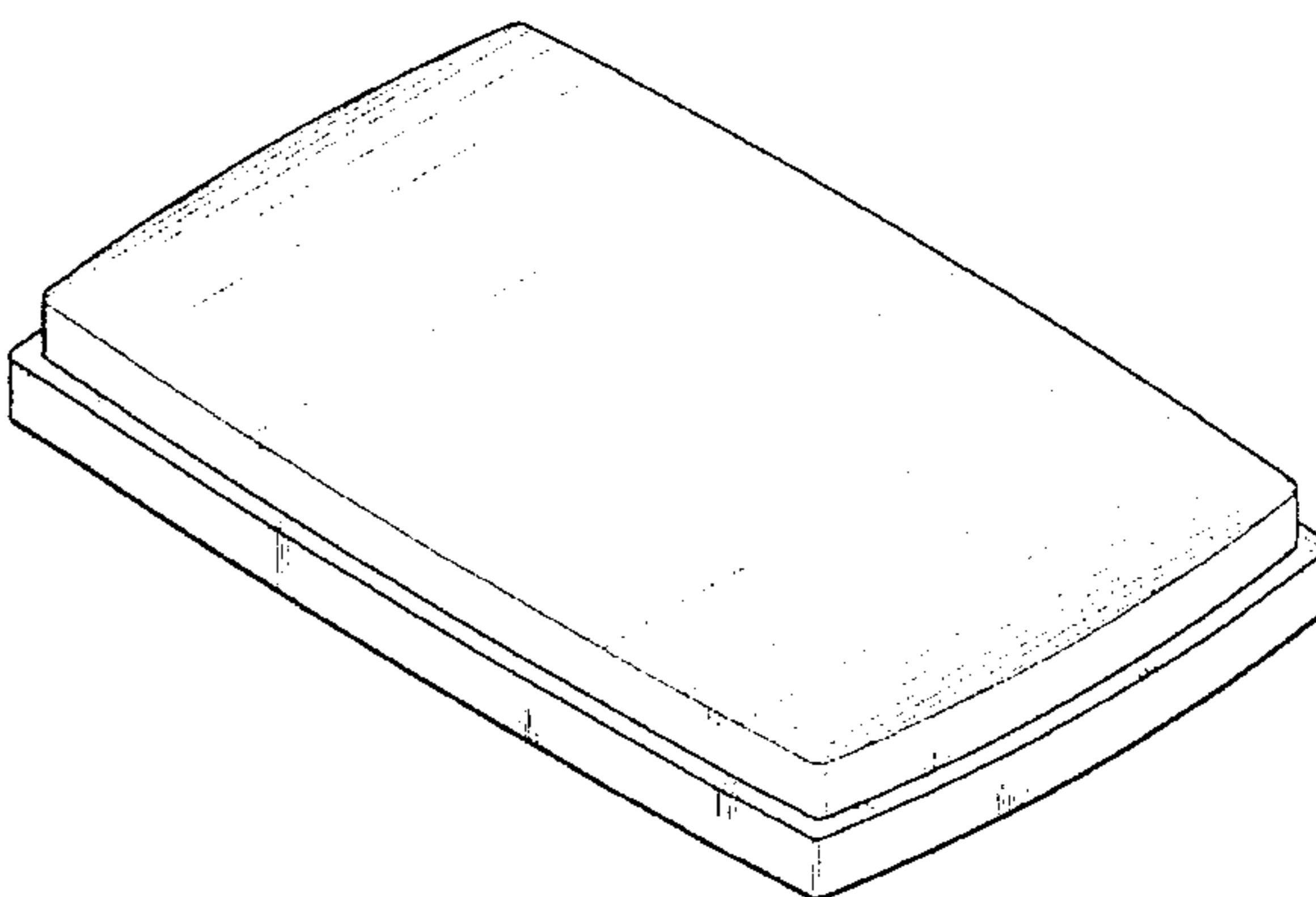
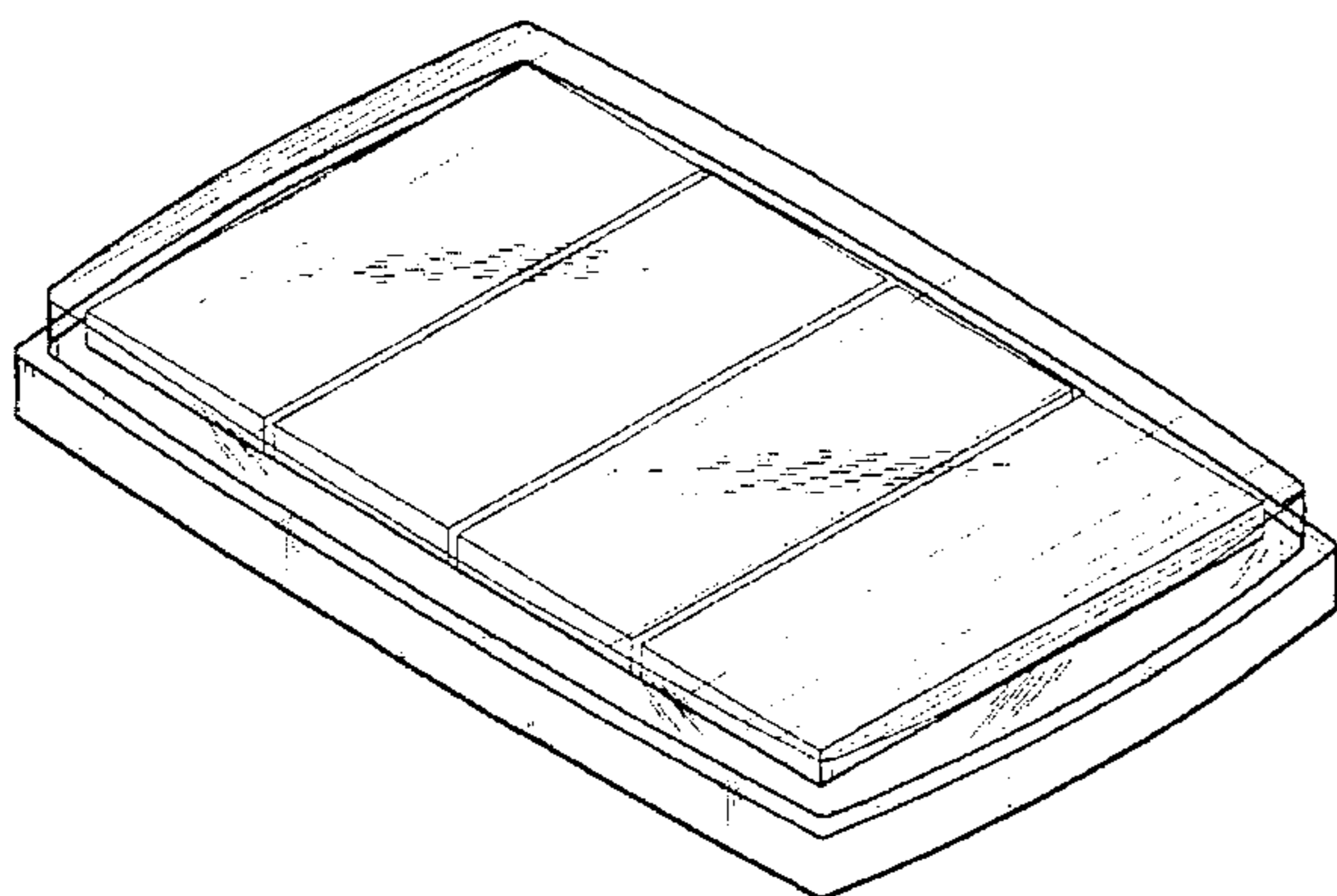
[57] CLAIM

The ornamental design for a combined stamp pad and container, as shown.

DESCRIPTION

FIG. 1 is an isometric view of a combined stamp pad and container showing my new design;
FIG. 2 is a top plan view thereof;
FIG. 3 is an end view thereof, the opposite end is identical to the end shown;
FIG. 4 is a side view thereof, the opposite side is identical to the side shown;
FIG. 5 is a bottom plan view thereof;
FIG. 6 is an isometric view of a further embodiment of FIG. 1, all other views are identical to FIGS. 2-5; and,
FIG. 7 is an isometric view of another embodiment of FIG. 1, all other views are identical to FIGS. 2-5.

1 Claim, 2 Drawing Sheets



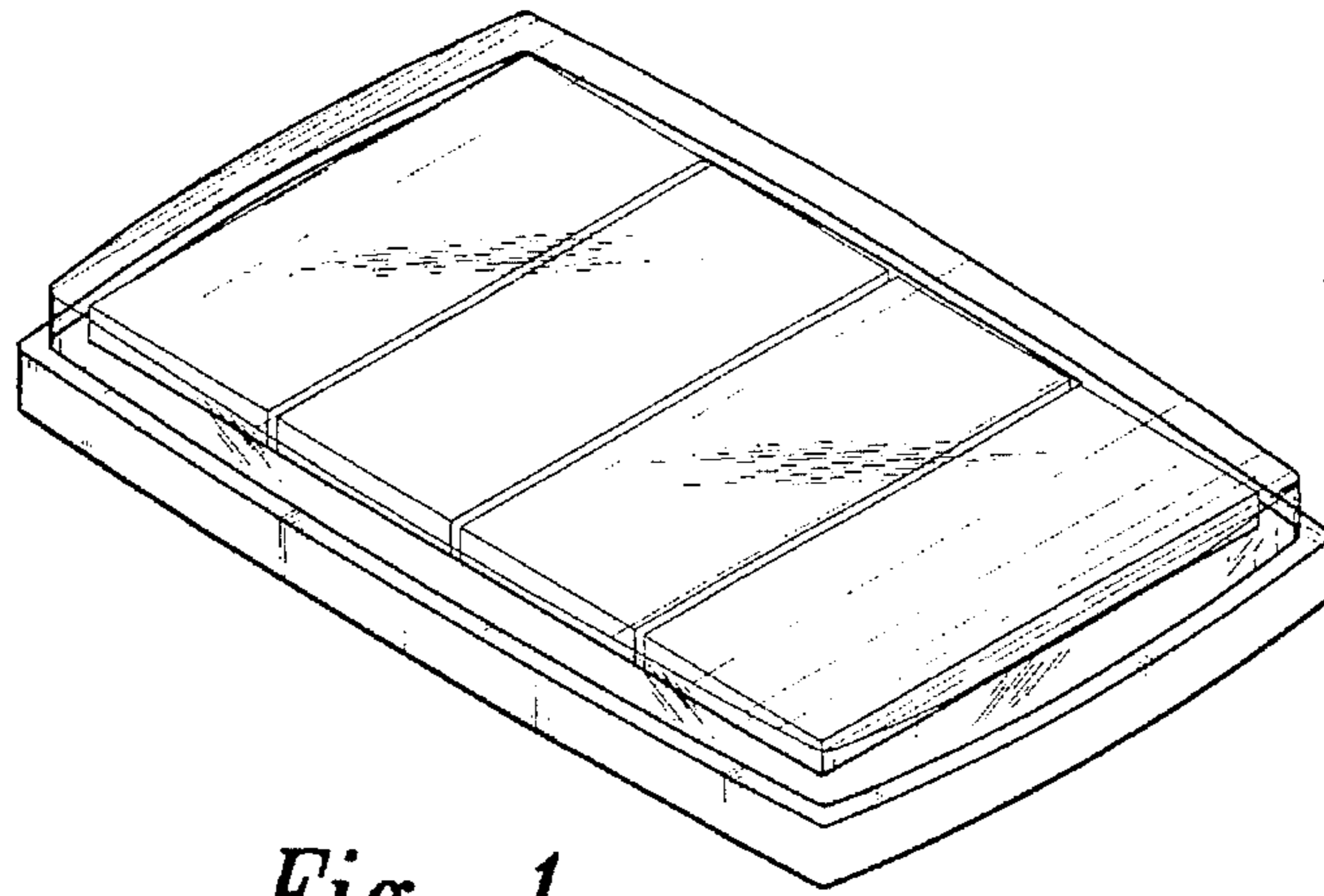


Fig. 1

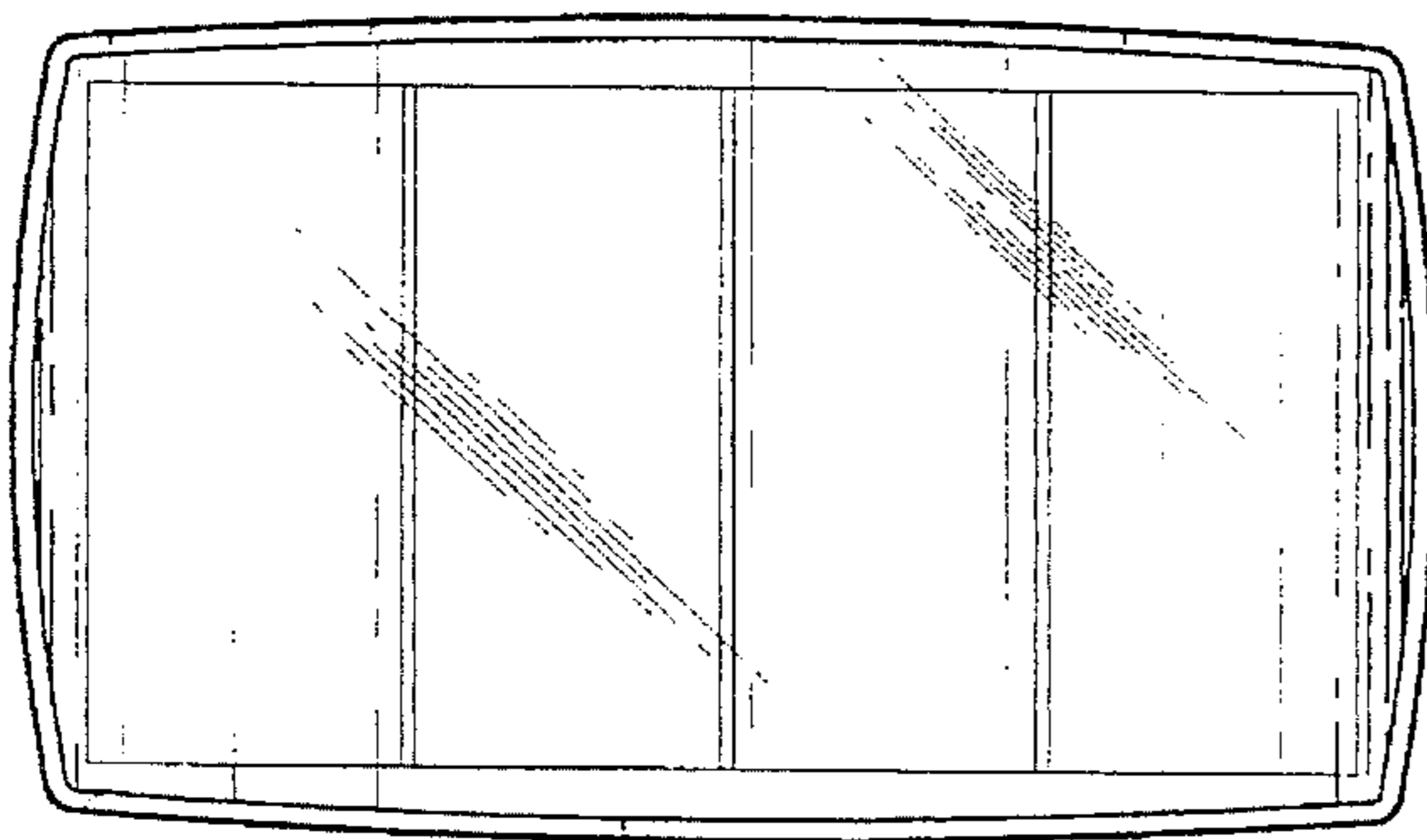


Fig. 2

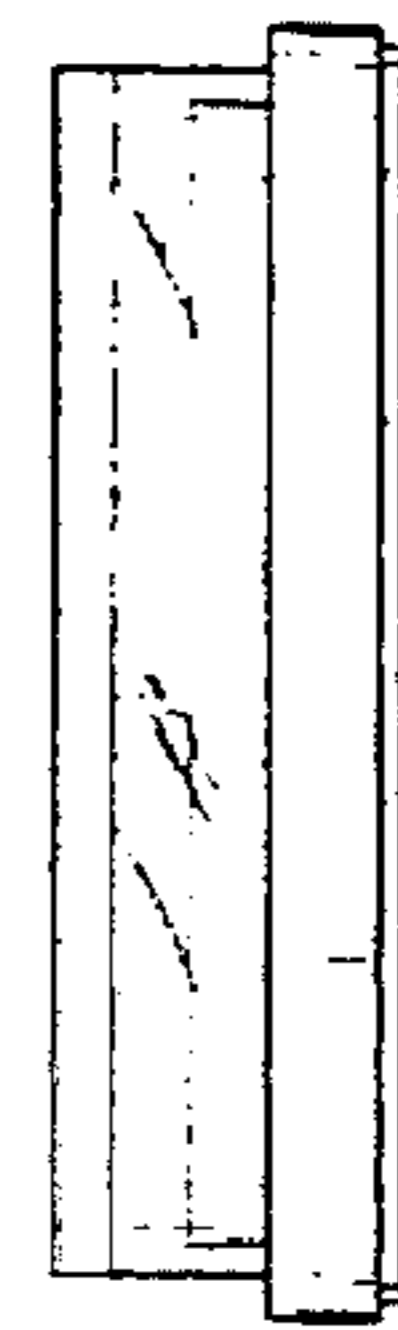


Fig. 3

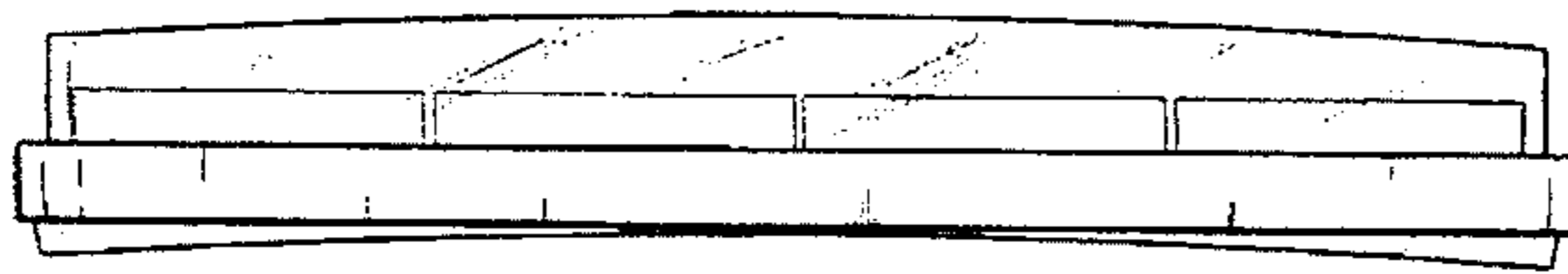


Fig. 4

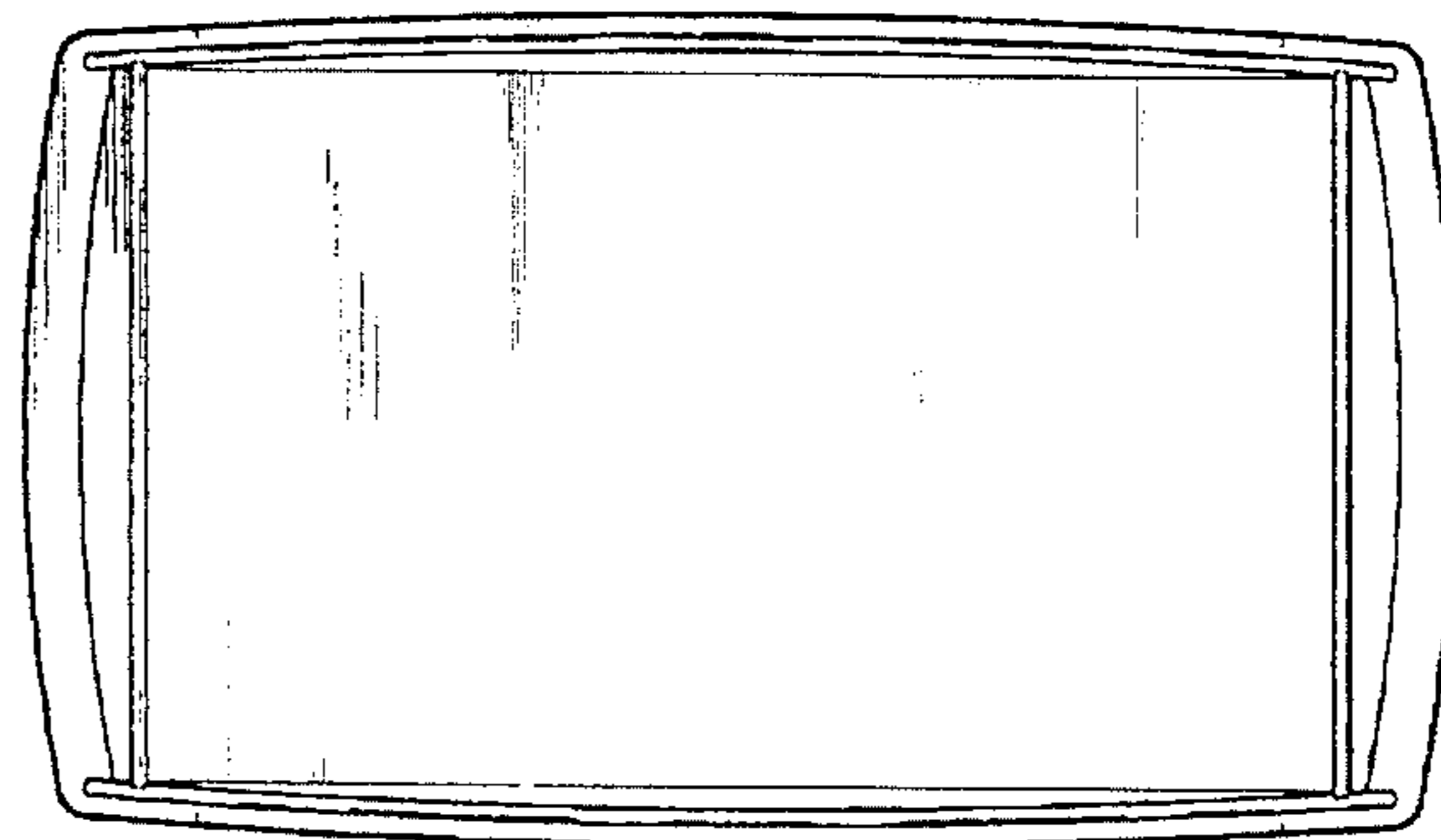


Fig. 5

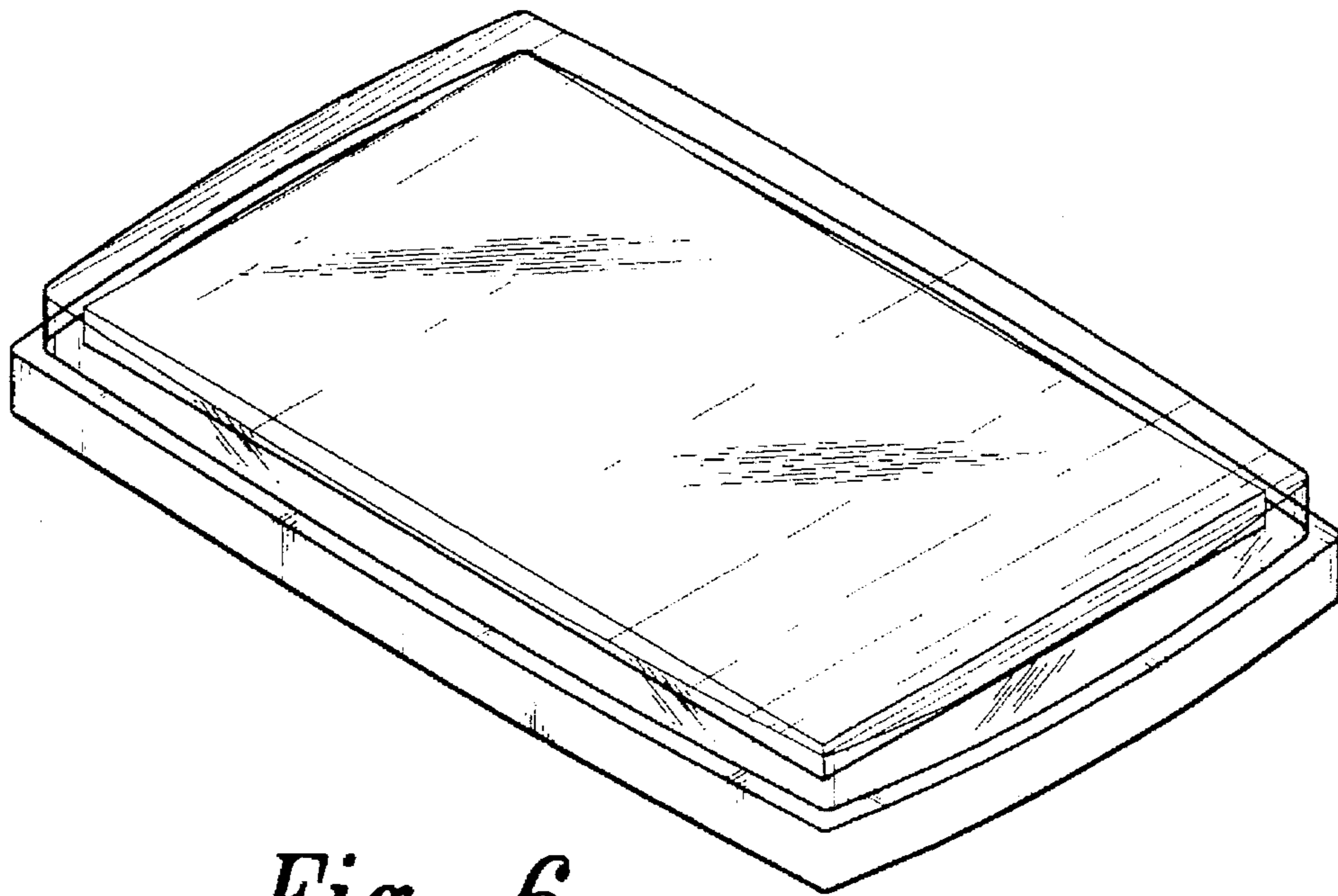


Fig. 6

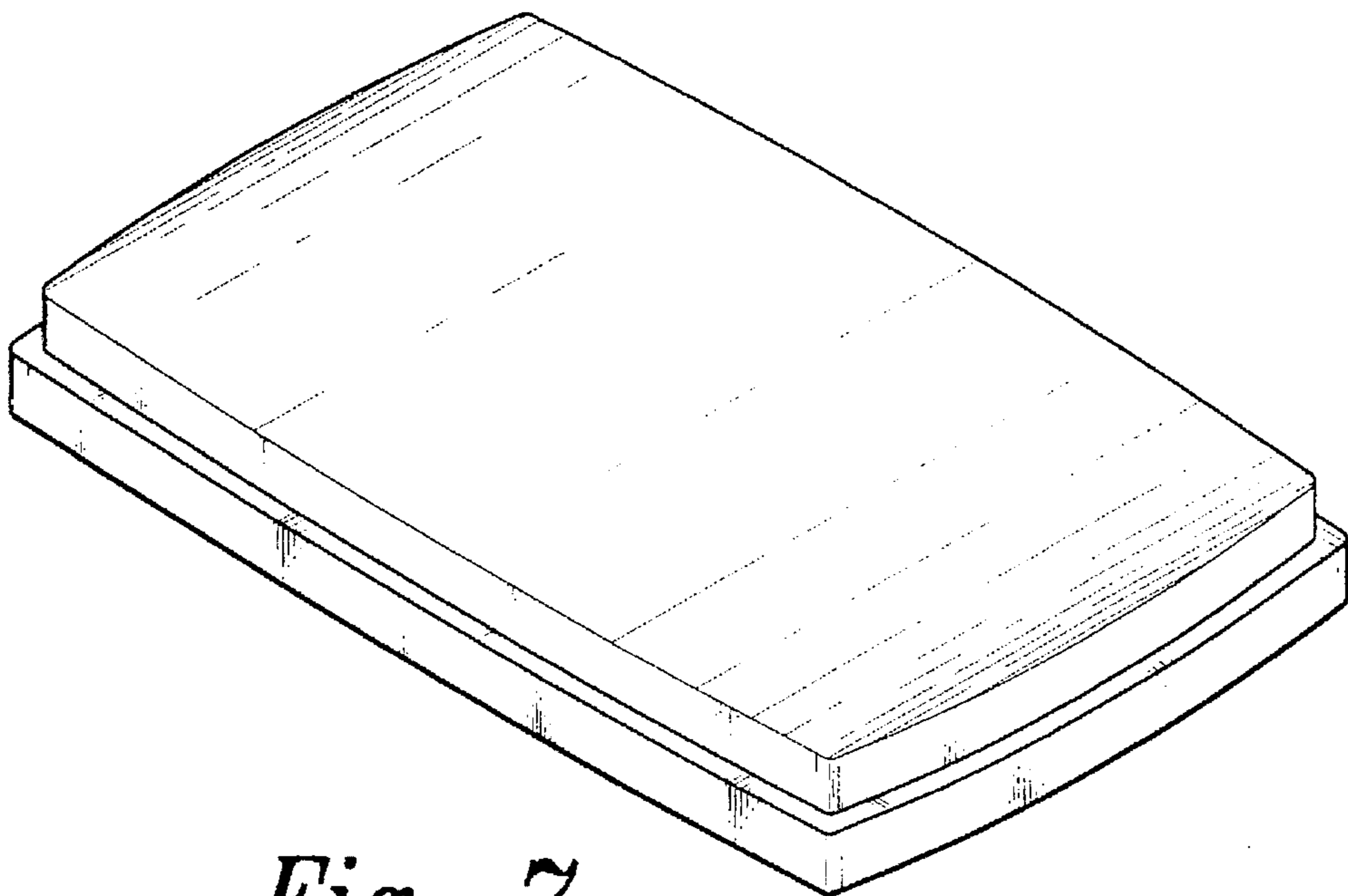


Fig. 7