



US00D372729S

United States Patent [19]
Hewitt

[11] **Patent Number: Des. 372,729**

[45] **Date of Patent: **Aug. 13, 1996**

[54] **STAMP MOUNT**

[75] **Inventor: Stephen K. Hewitt, Oakview, Calif.**

[73] **Assignee: Topstamp, Inc., Ojai, Calif.**

[**] **Term: 14 Years**

[21] **Appl. No.: 43,579**

[22] **Filed: Sep. 6, 1995**

[52] **U.S. Cl. D18/18**

[58] **Field of Search D18/18, 16, 15,
D18/17; 118/264, 265, 268; 101/333, 327,
405, 406**

[56] **References Cited**

U.S. PATENT DOCUMENTS

D. 266,257	9/1982	Ahrens	D18/15
D. 352,521	11/1994	Sculler et al.	D18/15
4,735,143	4/1988	Weir	101/333
5,483,880	1/1995	Seo et al.	101/333 X

Primary Examiner—Louis S. Zarfaz

Assistant Examiner—Frank Martinez
Attorney, Agent, or Firm—Marvin E. Jacobs

[57] **CLAIM**

The ornamental design for stamp mount, as shown and described.

DESCRIPTION

FIG. 1 is a perspective view of my ornamental design of a stamp mount;

FIG. 2 is a front view of the stamp mount illustrated in FIG. 1, the rear view being identical thereto;

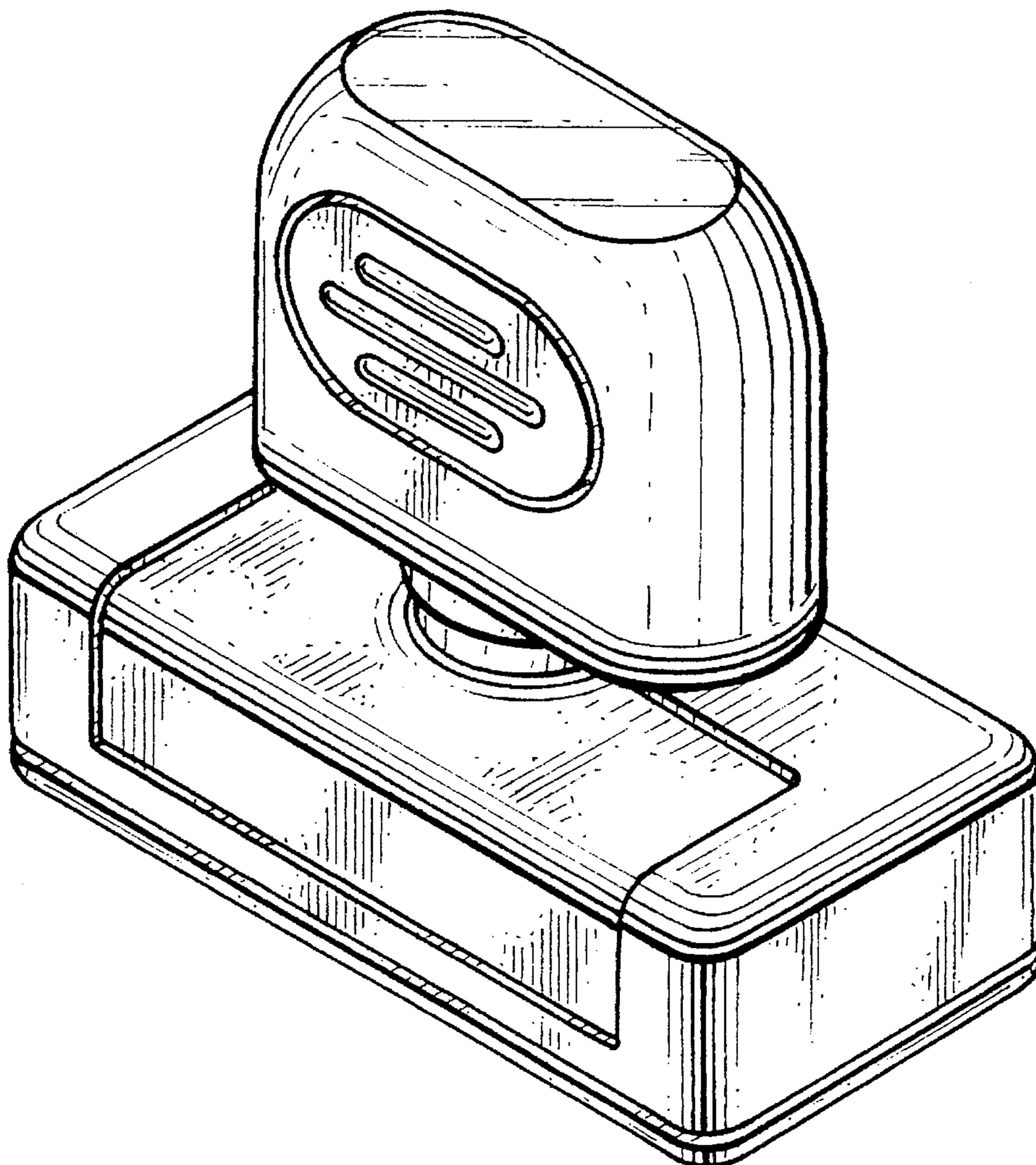
FIG. 3 is a right side view of the stamp mount illustrated in FIG. 1, the left side being identical thereto;

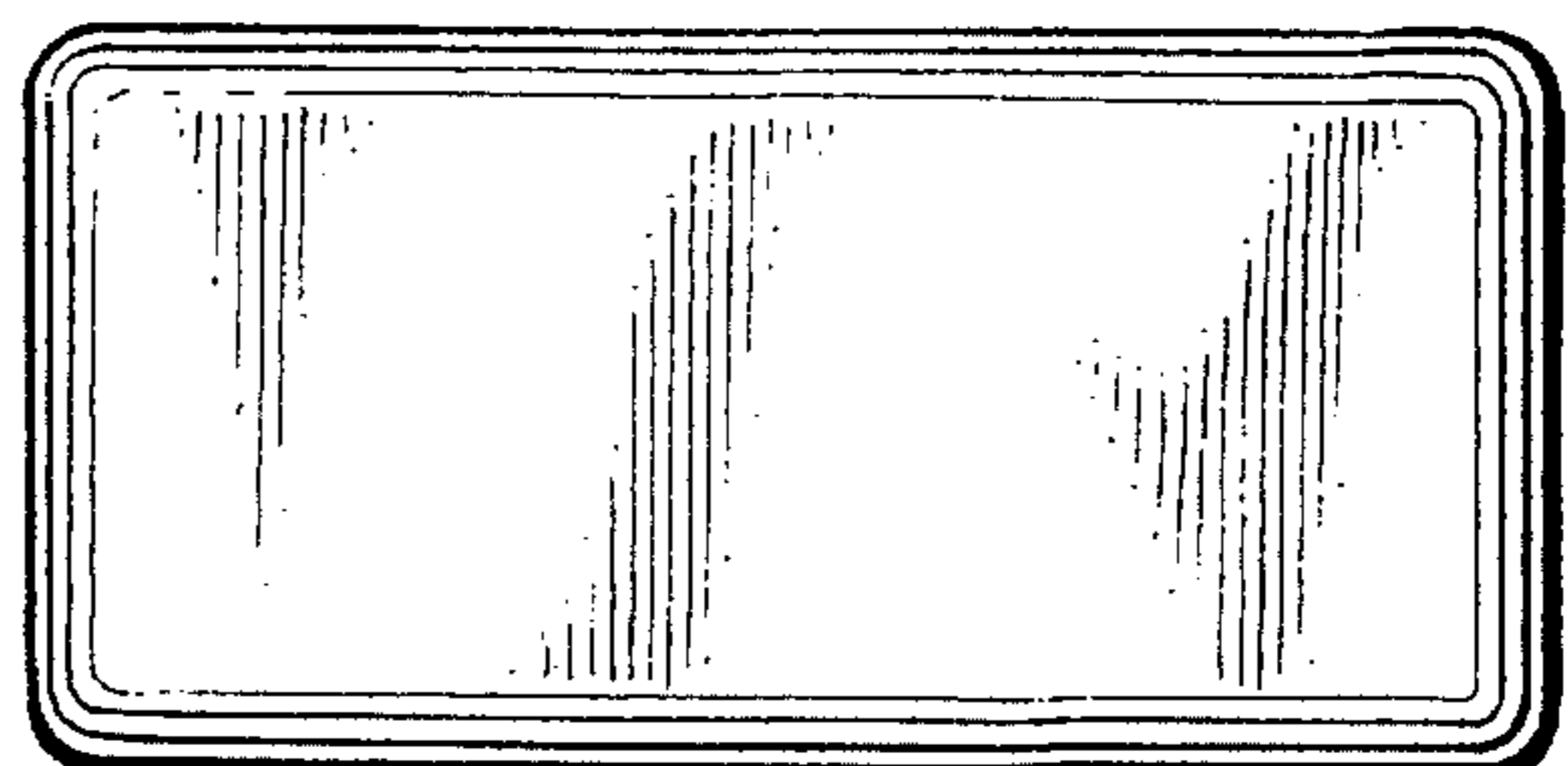
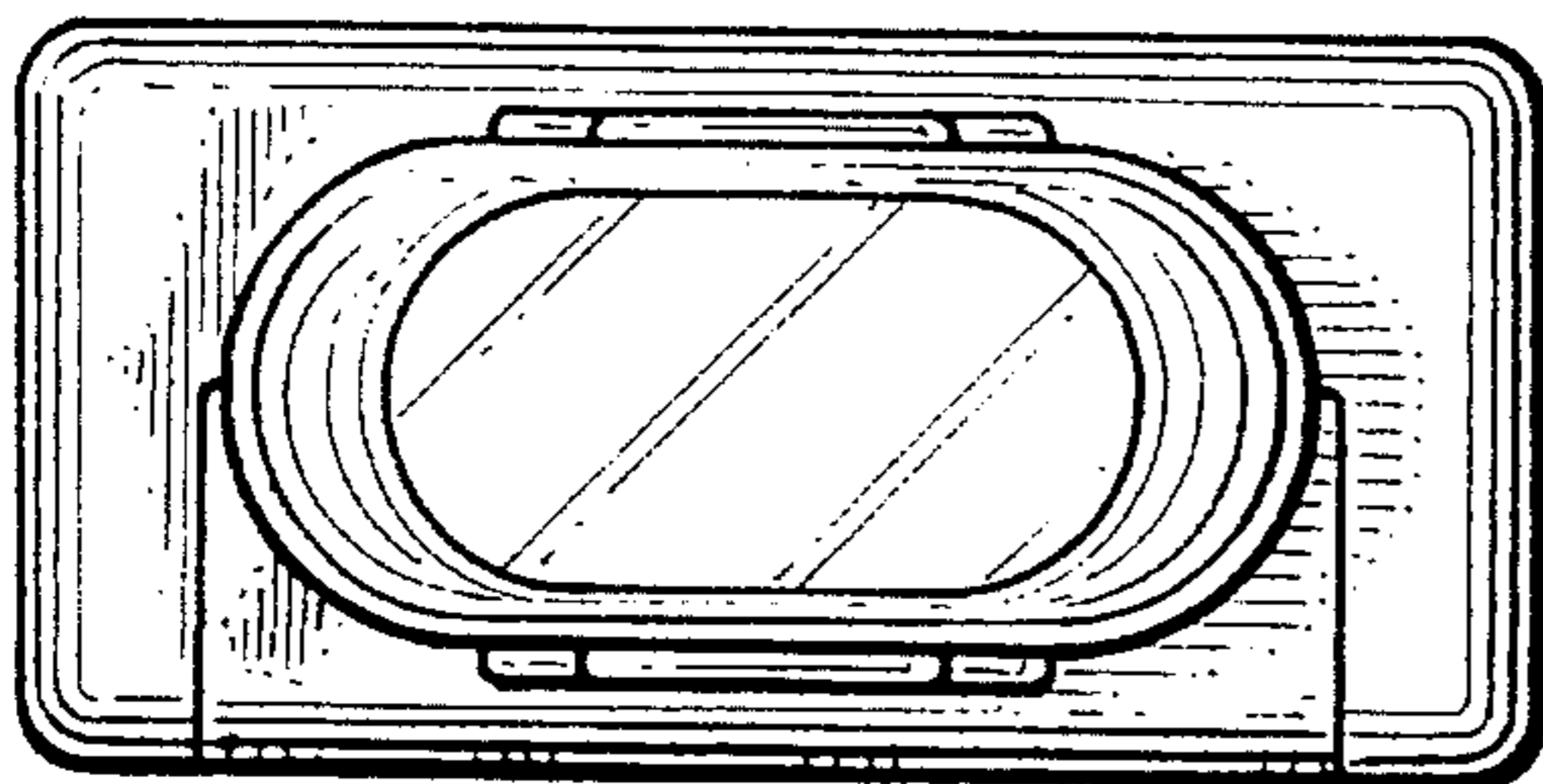
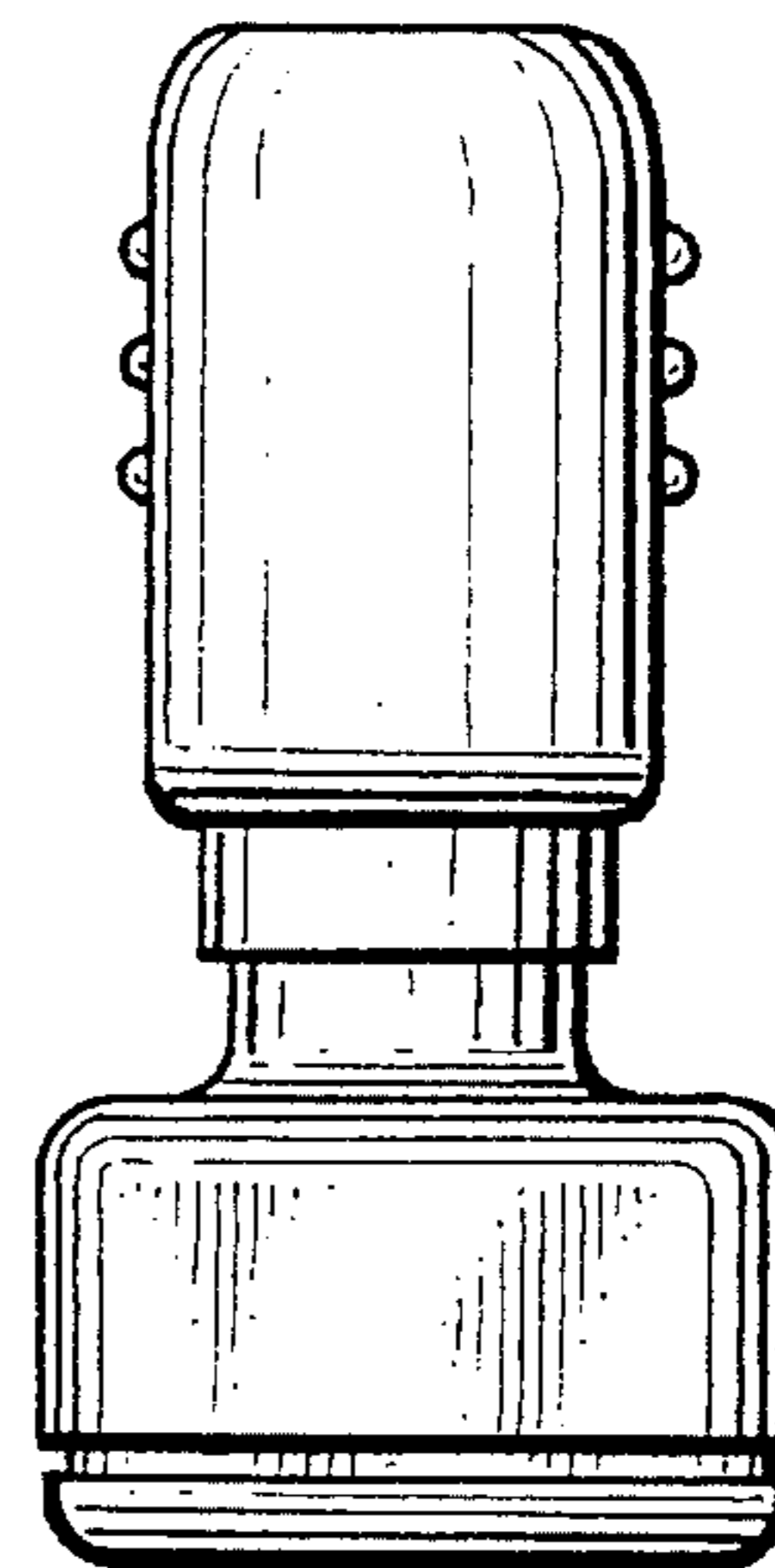
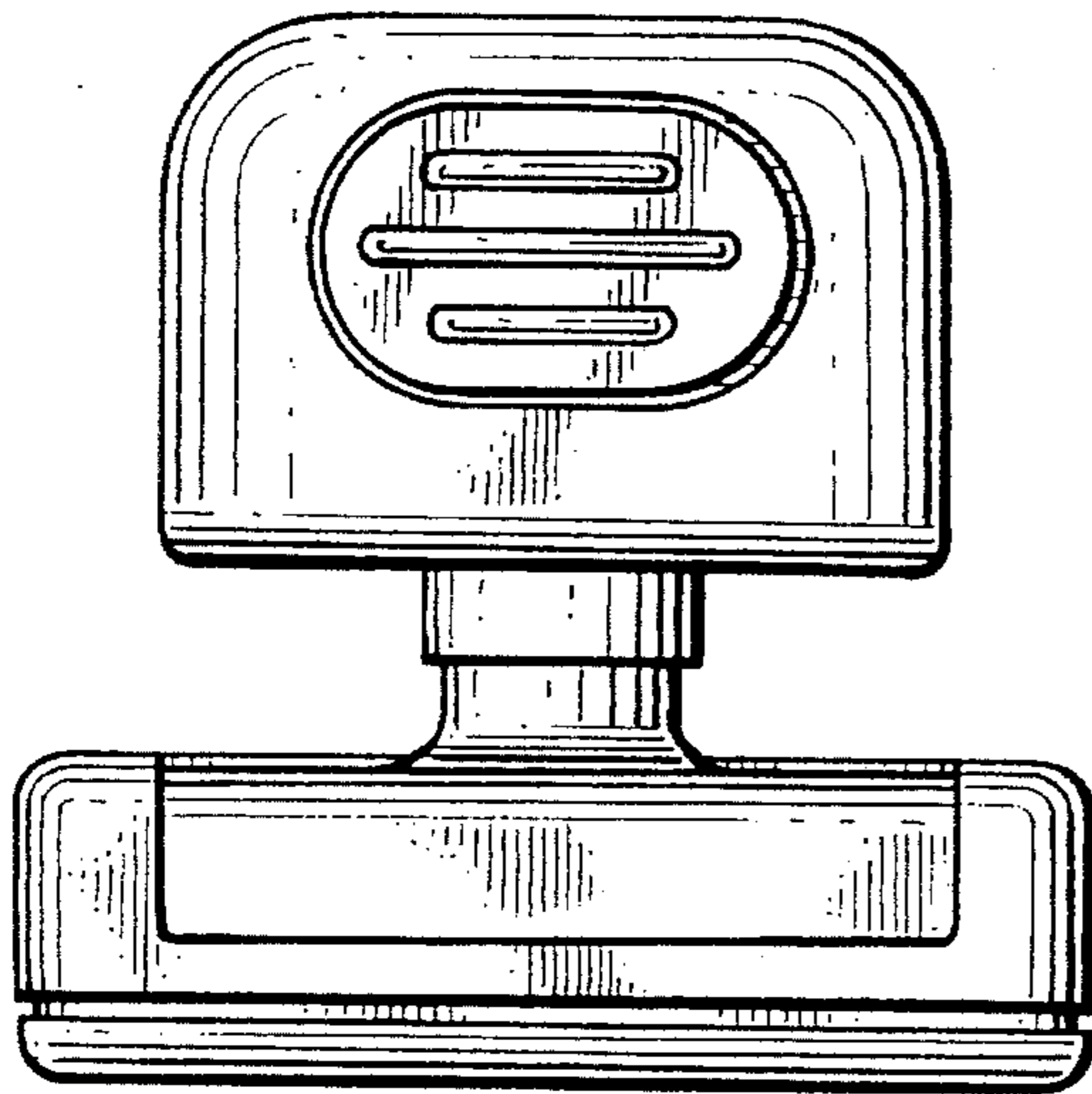
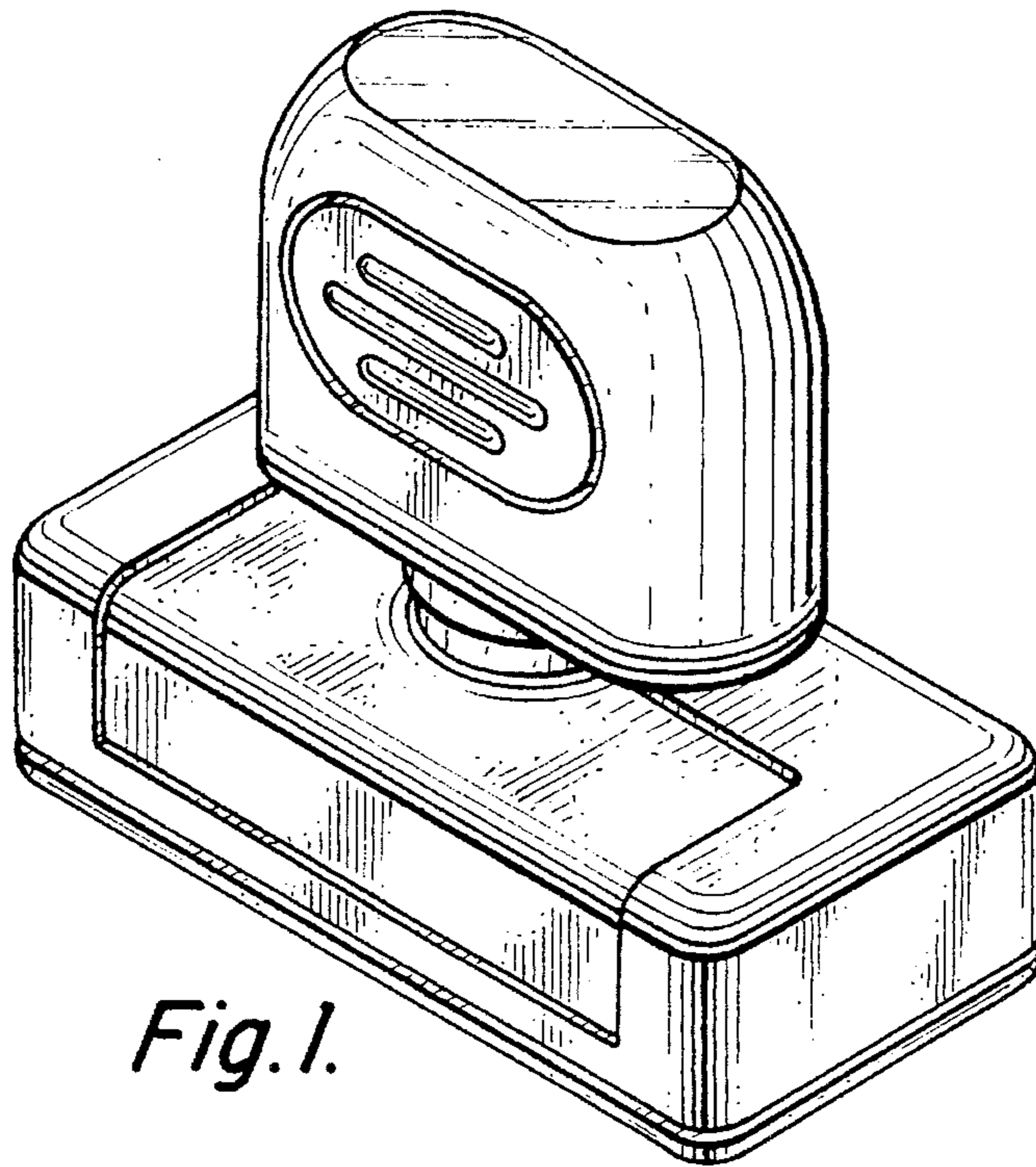
FIG. 4 is a top view in elevation of the stamp mount illustrated in FIG. 1;

FIG. 5 is a bottom view in elevation of the stamp mount illustrated in FIG. 1; and,

FIG. 6 is a rear view in elevation of the stamp mount illustrated in FIG. 1.

1 Claim, 2 Drawing Sheets





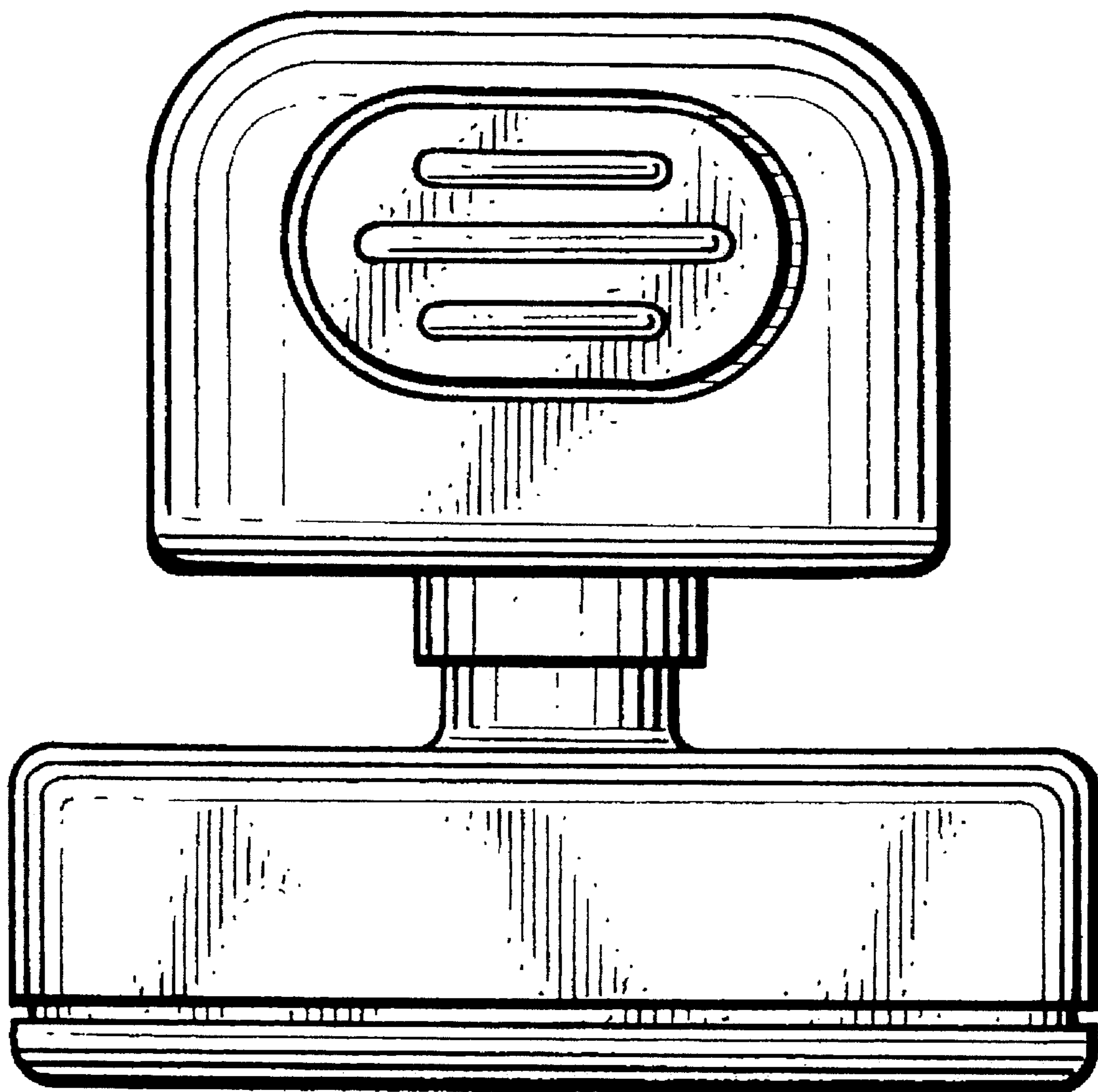


Fig. 6.