



US00D372721S

United States Patent [19] Tanaka

[11] Patent Number: **Des. 372,721**

[45] Date of Patent: ****Aug. 13, 1996**

[54] VIDEO CAMERA RECORDER

[75] Inventor: **Kunihiko Tanaka**, Tokyo, Japan
[73] Assignee: **Fuji Photo Film Co., Ltd.**, Kanagawa, Japan
[**] Term: **14 Years**

[21] Appl. No.: **42,128**

[22] Filed: **Aug. 1, 1995**

[30] Foreign Application Priority Data

Feb. 1, 1995 [JP] Japan 7-2515

[52] U.S. Cl. **D16/202**

[58] Field of Search D16/200-205,
D16/208; 348/143, 207, 373-376; 352/34,
242, 243; 354/81, 82, 288; 358/906, 909.1;
H04N 5/225

[56] References Cited

U.S. PATENT DOCUMENTS

D. 305,903 2/1990 Sumita D16/202
D. 354,300 1/1995 Ina et al. D16/202
D. 356,326 3/1995 Miyashita D16/202
D. 361,583 8/1995 Mori et al. D16/202

FOREIGN PATENT DOCUMENTS

406253188 9/1994 Japan H04N 5/225

OTHER PUBLICATIONS

Video Review, Aug. 1989 p. 28 (JVS's video camera).

Primary Examiner—Ted Shooman
Assistant Examiner—Adir Aronovich
Attorney, Agent, or Firm—Young & Thompson

[57] CLAIM

The ornamental design for a video camera recorder, as shown and described.

DESCRIPTION

FIG. 1 is a top, front and side perspective view of a video camera recorder, showing my new design;
FIG. 2 is a front elevational view thereof;
FIG. 3 is a rear elevational view thereof;
FIG. 4 is a top plan view thereof;
FIG. 5 is a bottom plan view thereof;
FIG. 6 is a side elevational view thereof from the left of FIG. 2;
FIG. 7 is a side elevational view thereof from the right of FIG. 2; and,
FIG. 8 is a top, rear and side perspective view thereof with a top cover portion raised.

1 Claim, 6 Drawing Sheets

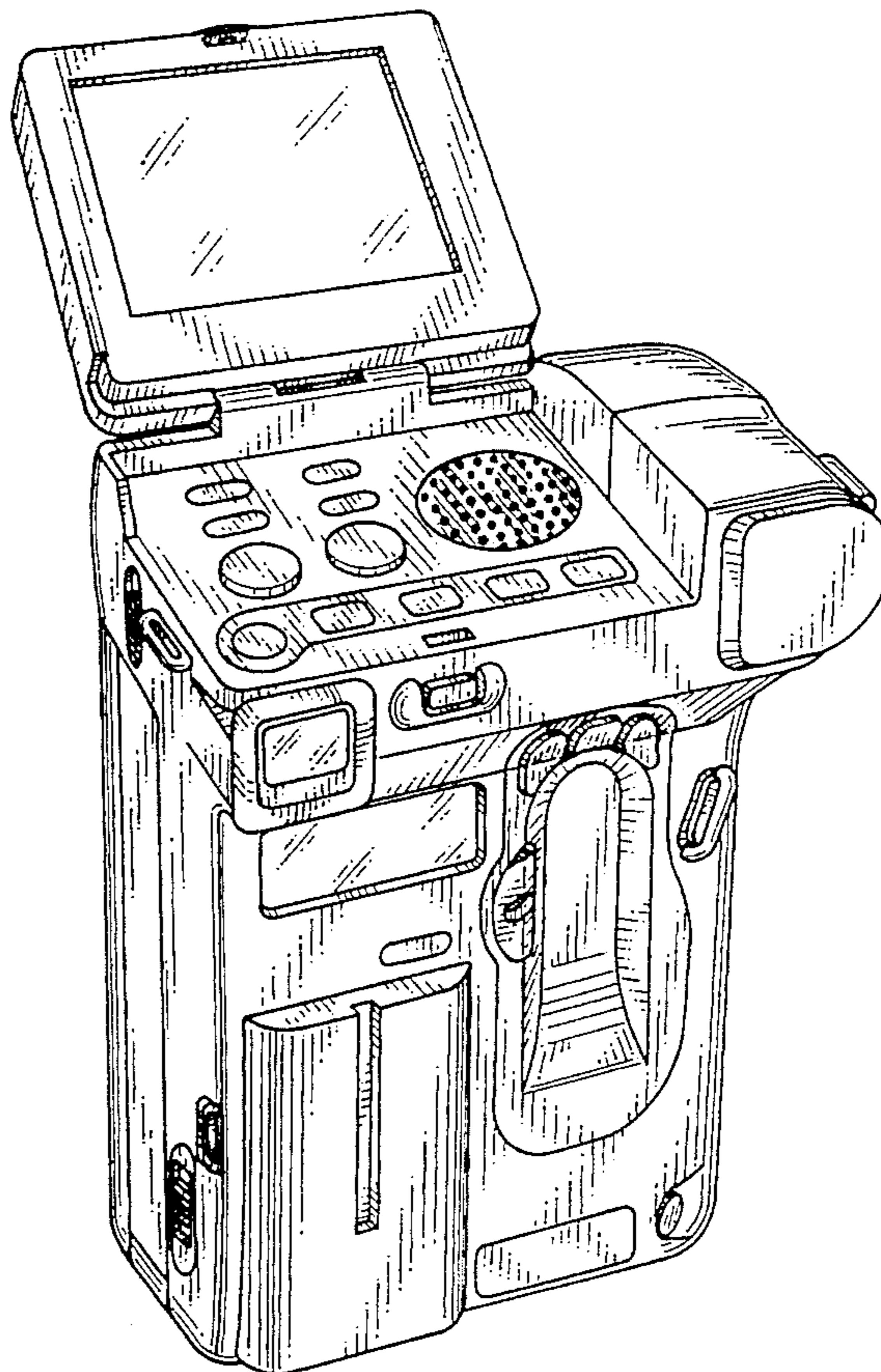
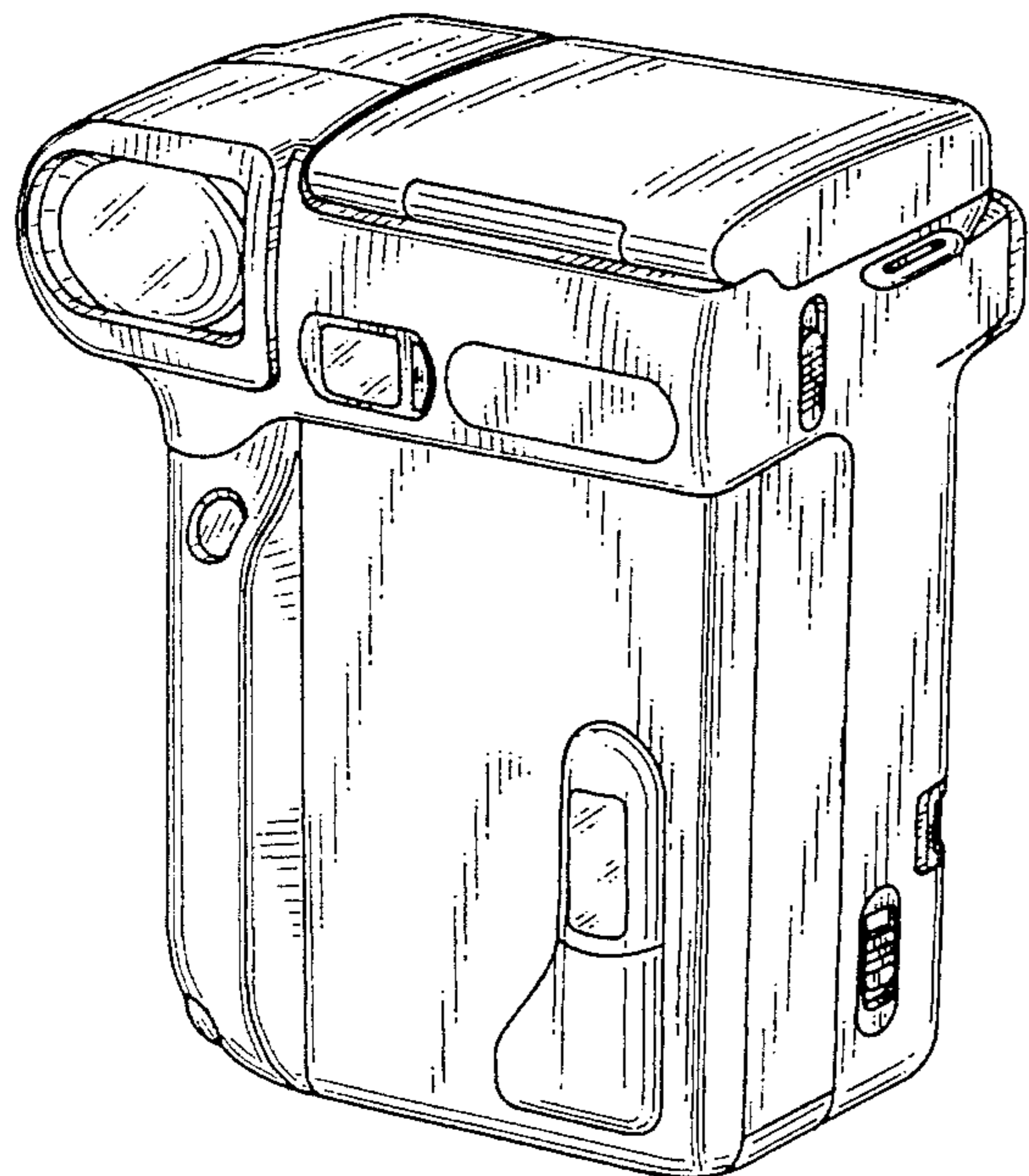


FIG. 1

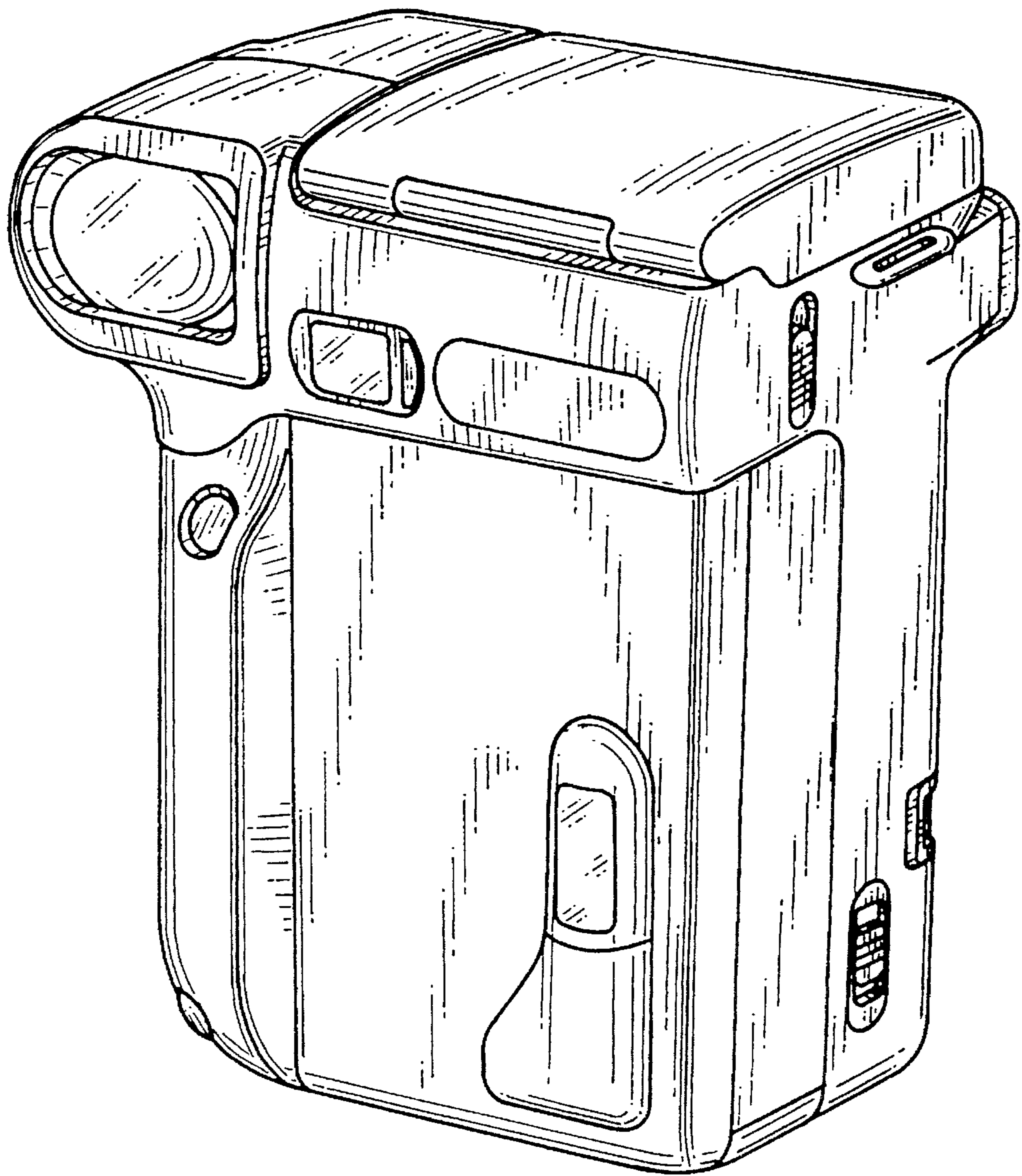


FIG. 2

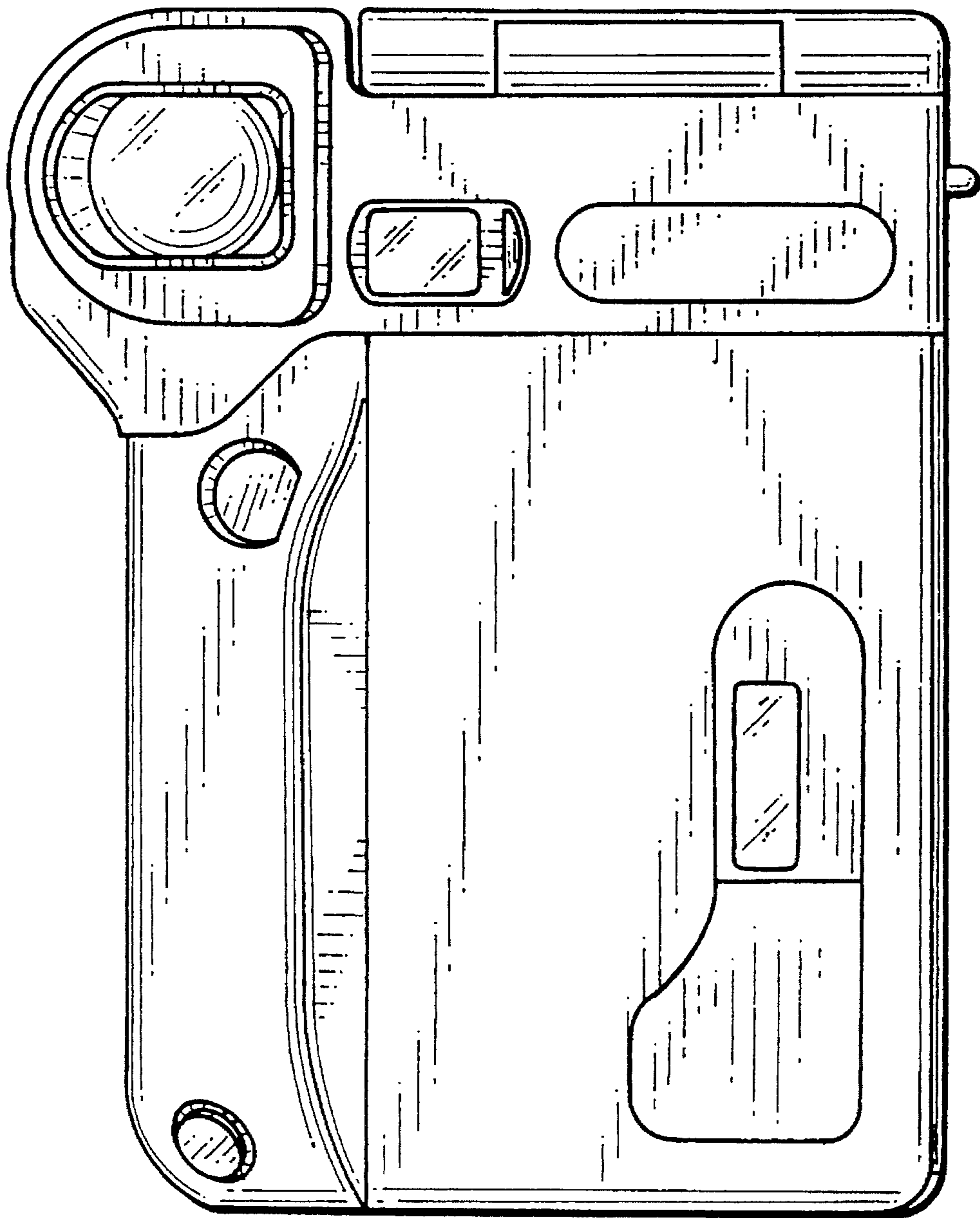


FIG. 3

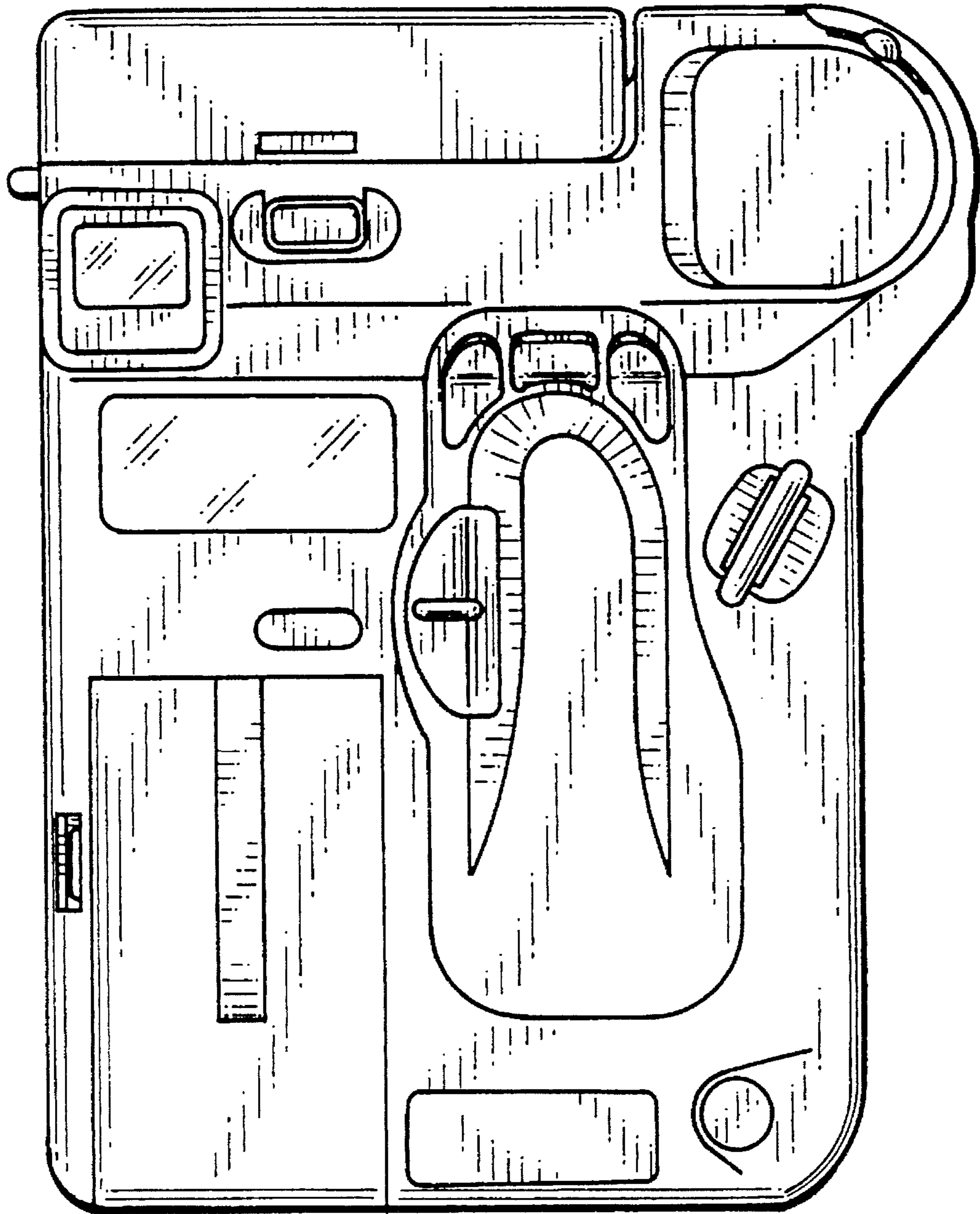


FIG. 4

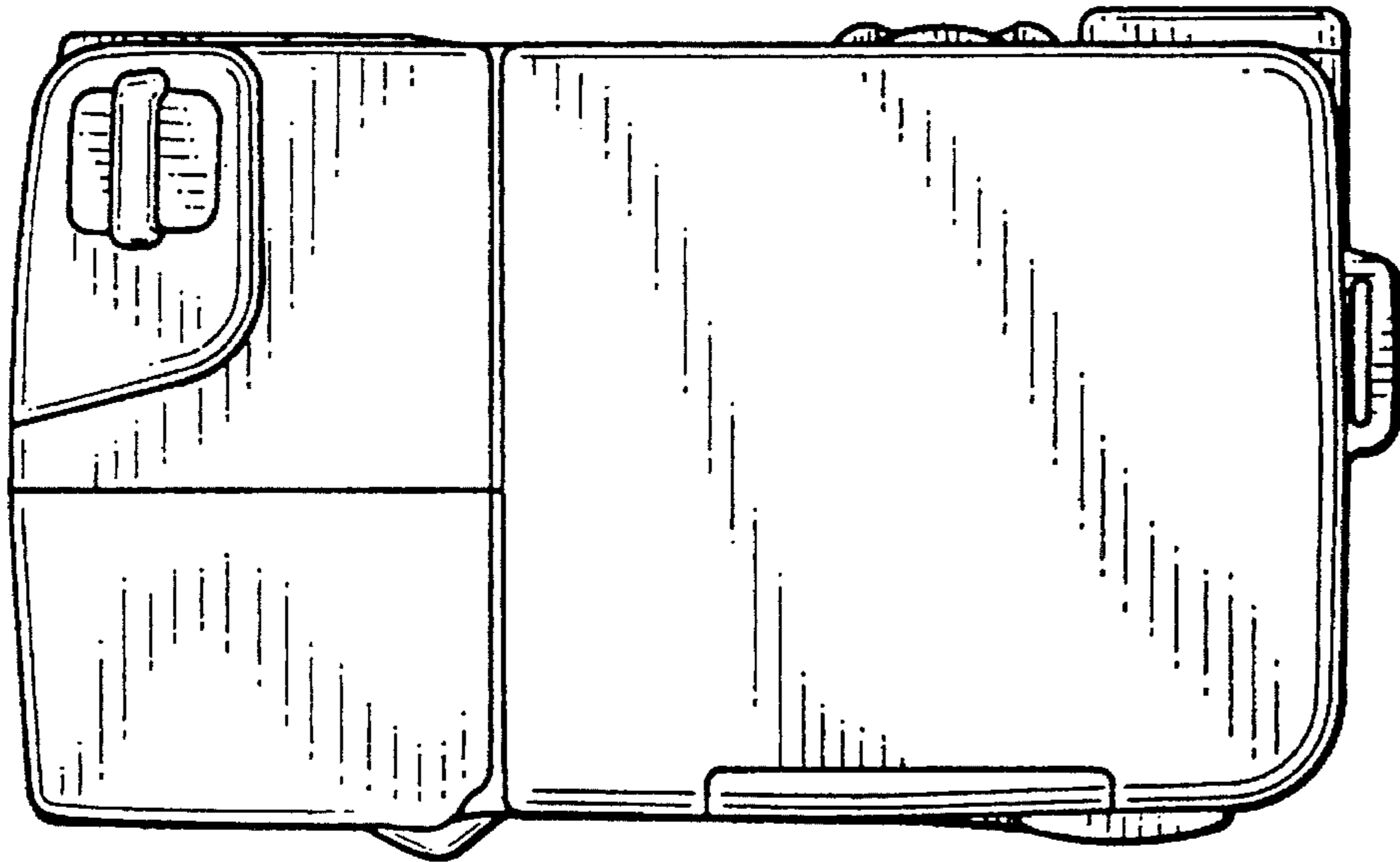


FIG. 5

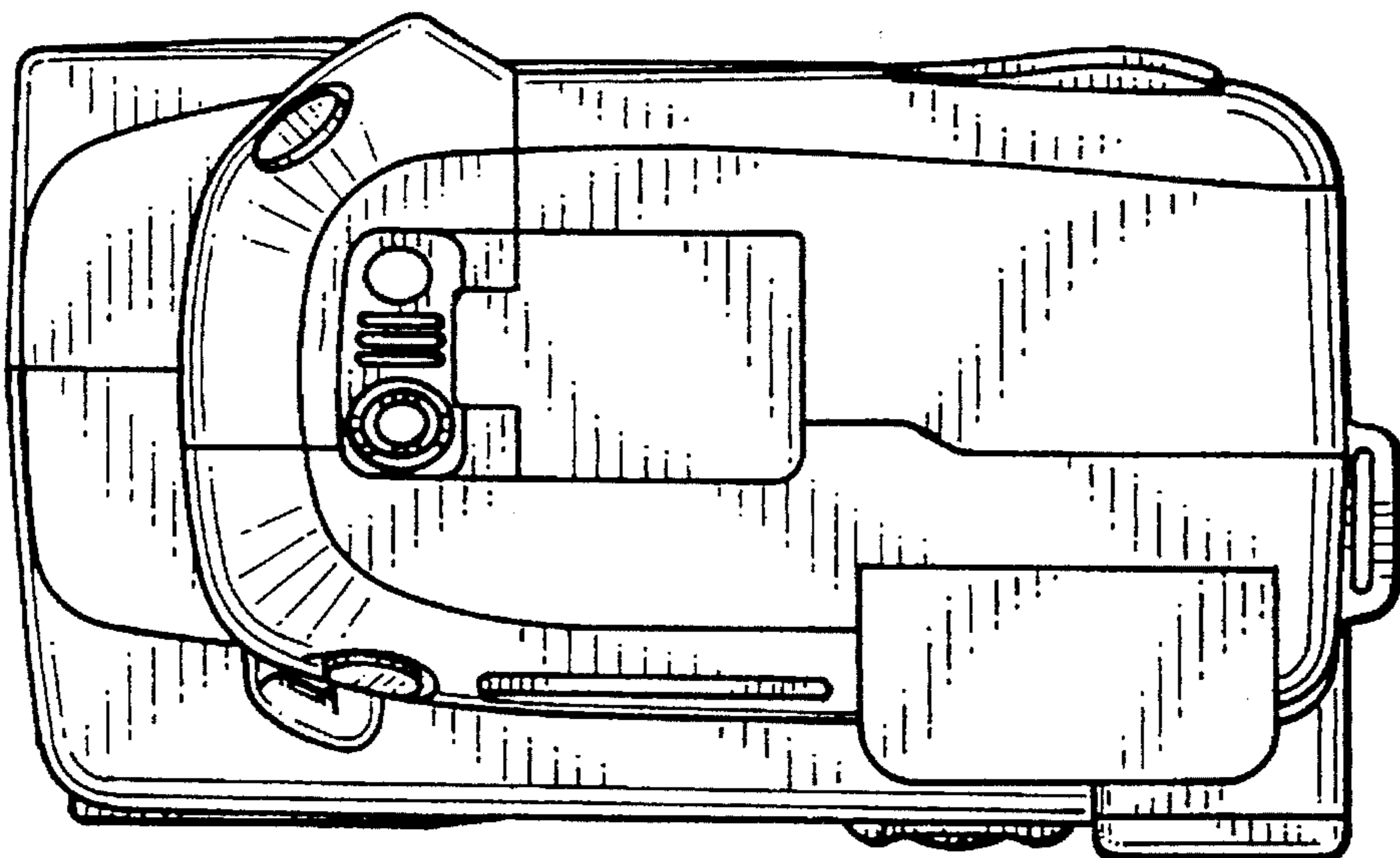


FIG. 6

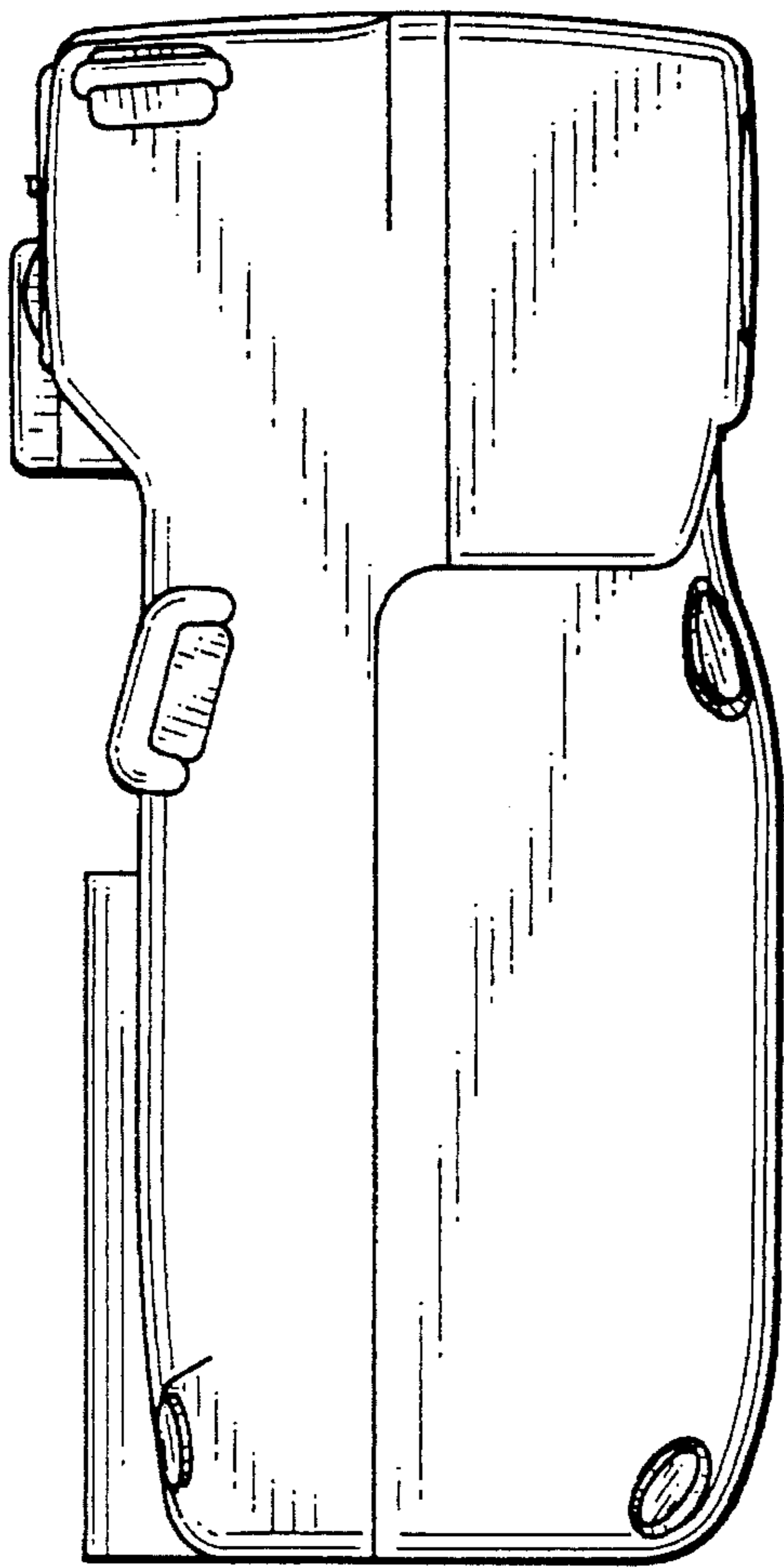


FIG. 7

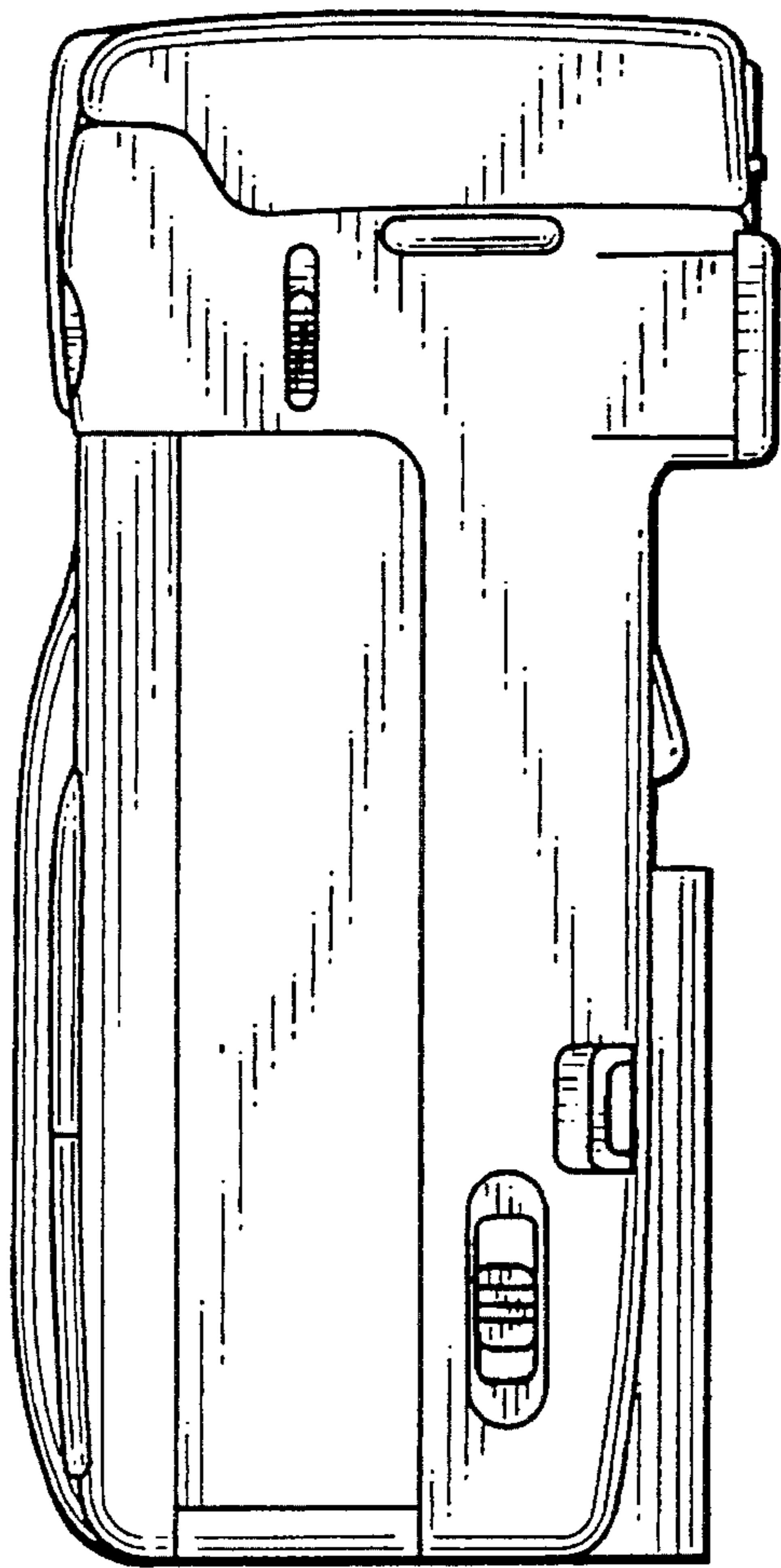


FIG. 8

