



US00D372719S

United States Patent [19]

Jensen

[11] Patent Number: **Des. 372,719**

[45] Date of Patent: ****Aug. 13, 1996**

[54] **WATER PUMP**

[75] Inventor: **Niels D. Jensen**, Bjerringbro, Denmark

[73] Assignee: **Grundfos A/S**, Bjerringbro, Denmark

[**] Term: **14 Years**

[21] Appl. No.: **31,714**

[22] Filed: **Dec. 2, 1994**

[30] Foreign Application Priority Data

Jun. 3, 1994 [DE] Germany M9404424.4

[52] U.S. Cl. **D15/7**

[58] Field of Search D15/7-9; D23/200;
417/360, 223.15, 224.1, 423.1, 423.14,
68-69, 904

[56] References Cited

U.S. PATENT DOCUMENTS

D. 283,224 4/1986 Lametto et al. D15/7

D. 299,143 12/1988 Hazlehurst D15/7

D. 306,448 3/1990 Lannoch D15/7

D. 364,172 11/1995 Jensen D15/7

Primary Examiner—B. J. Bullock

Assistant Examiner—Stacia Sinuik

Attorney, Agent, or Firm—Panitch Schwarze Jacobs & Nadel, P.C.

[57] CLAIM

The ornamental design for a water pump, as shown and described.

DESCRIPTION

FIG. 1 is a perspective view of a water pump showing my new design;

FIG. 2 is a left side elevational view thereof;

FIG. 3 is a right side elevational view thereof;

FIG. 4 is a top plan view thereof;

FIG. 5 is a bottom plan view thereof;

FIG. 6 is a rear elevational view thereof; and,

FIG. 7 is a front elevational view thereof.

1 Claim, 4 Drawing Sheets

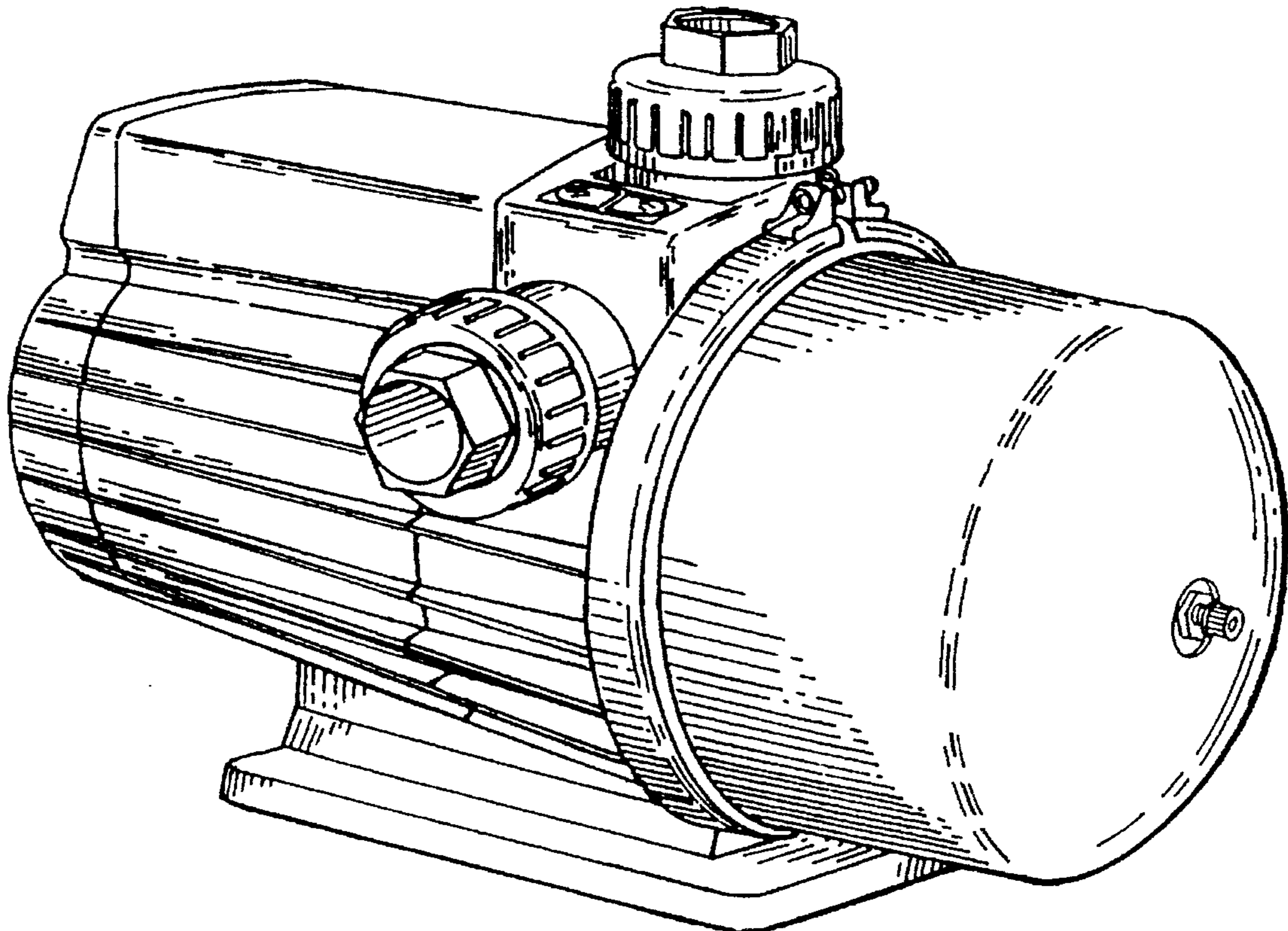


Fig. 1

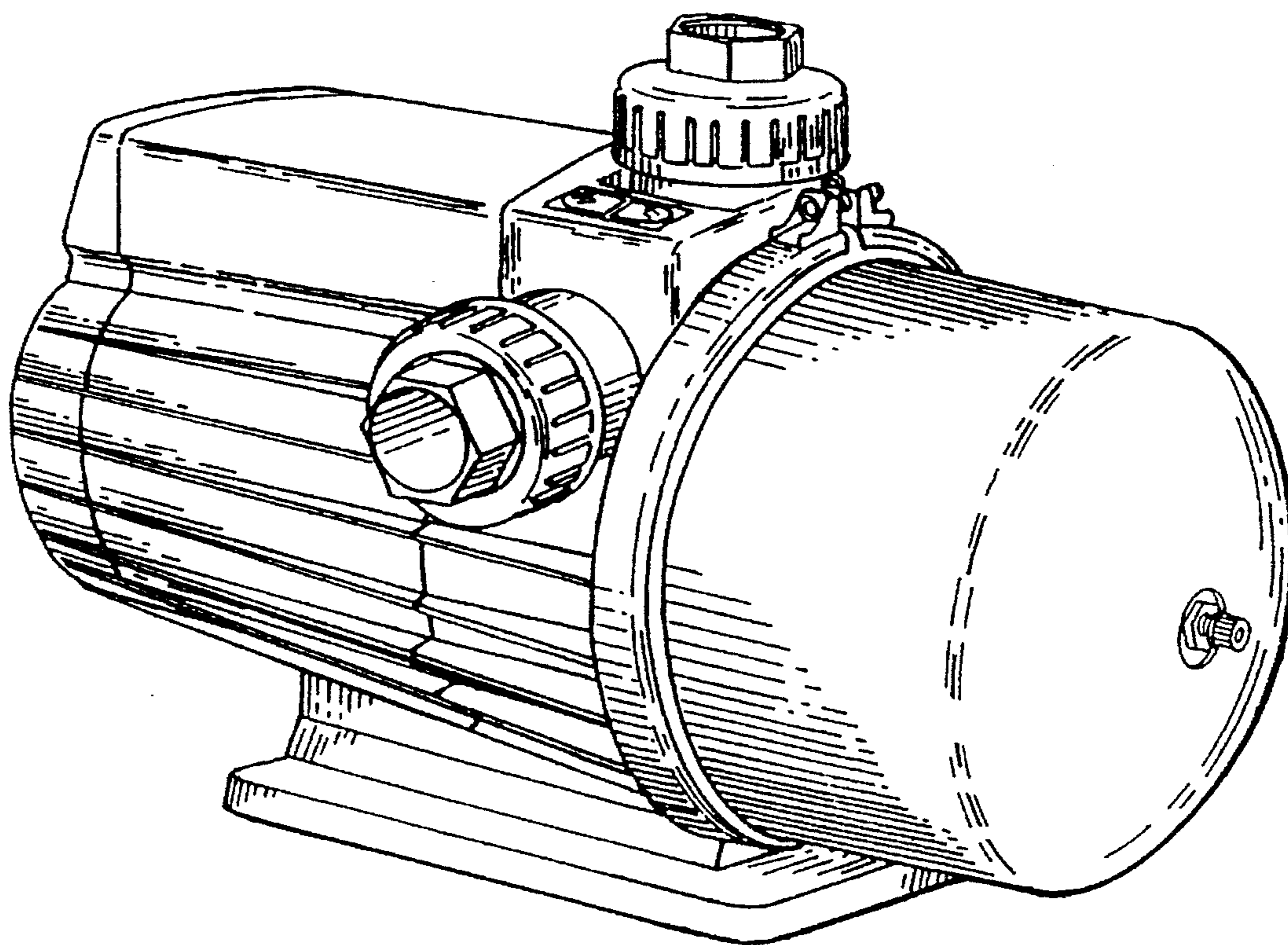


Fig. 2

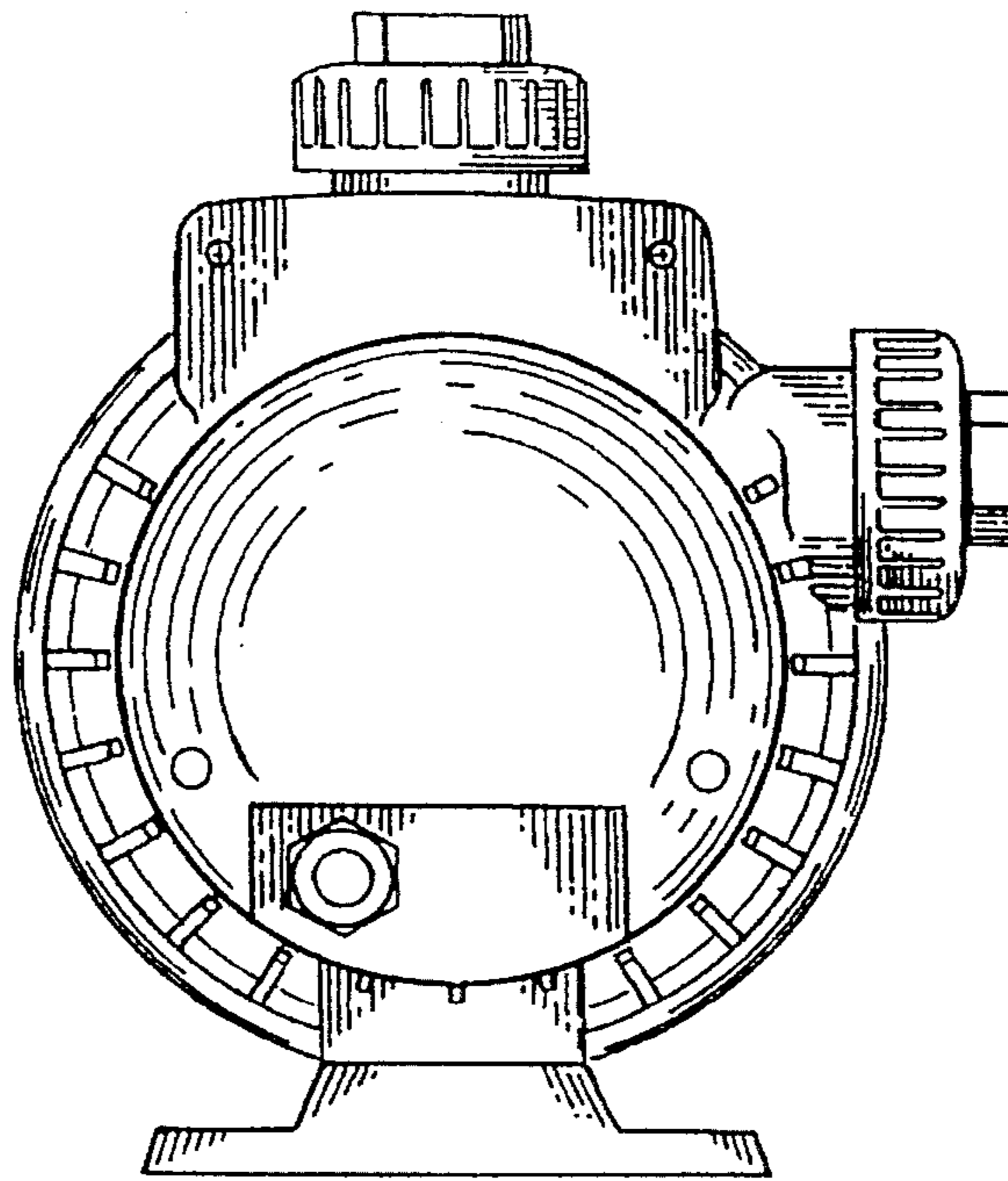


Fig. 3

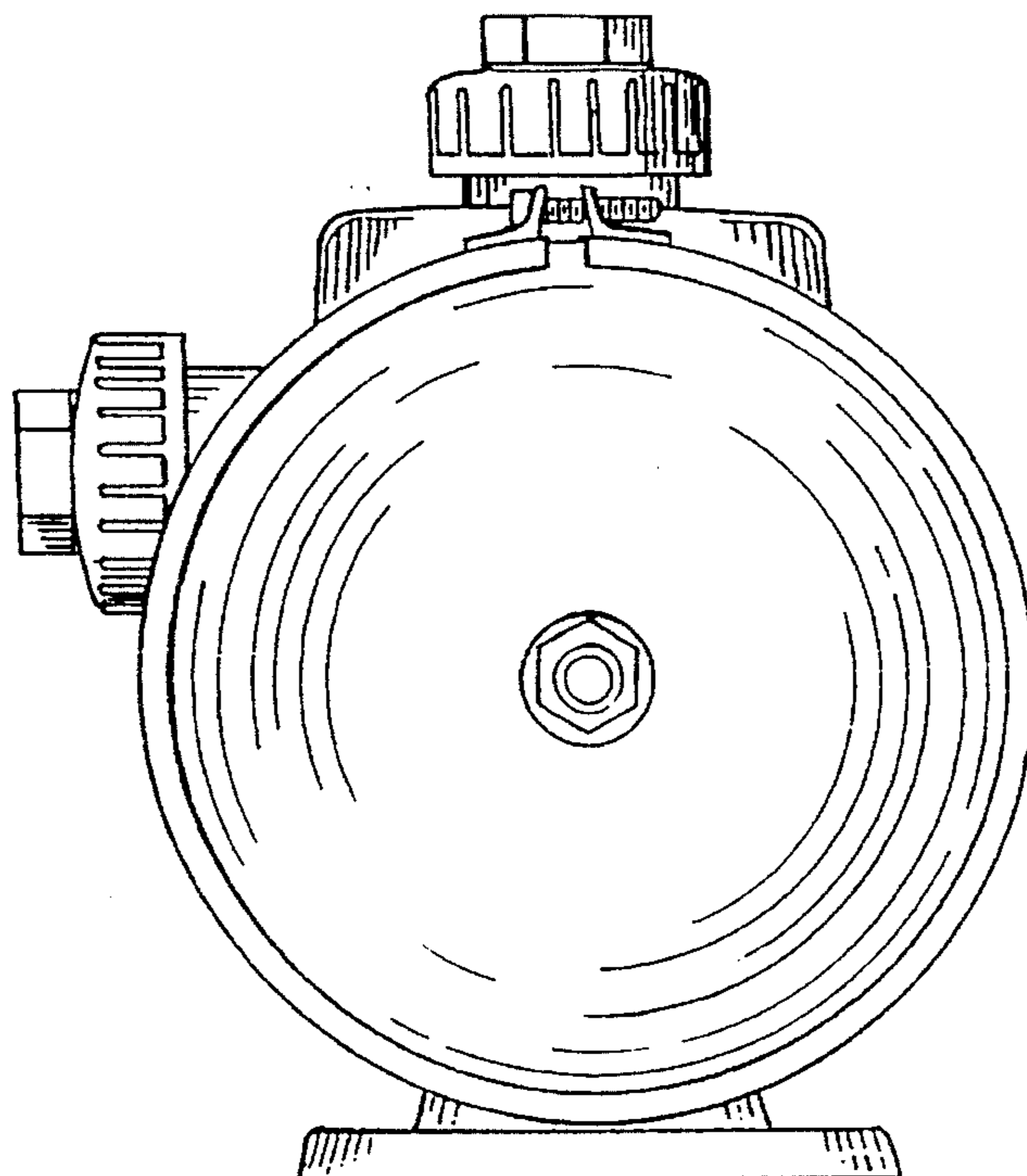


Fig. 4

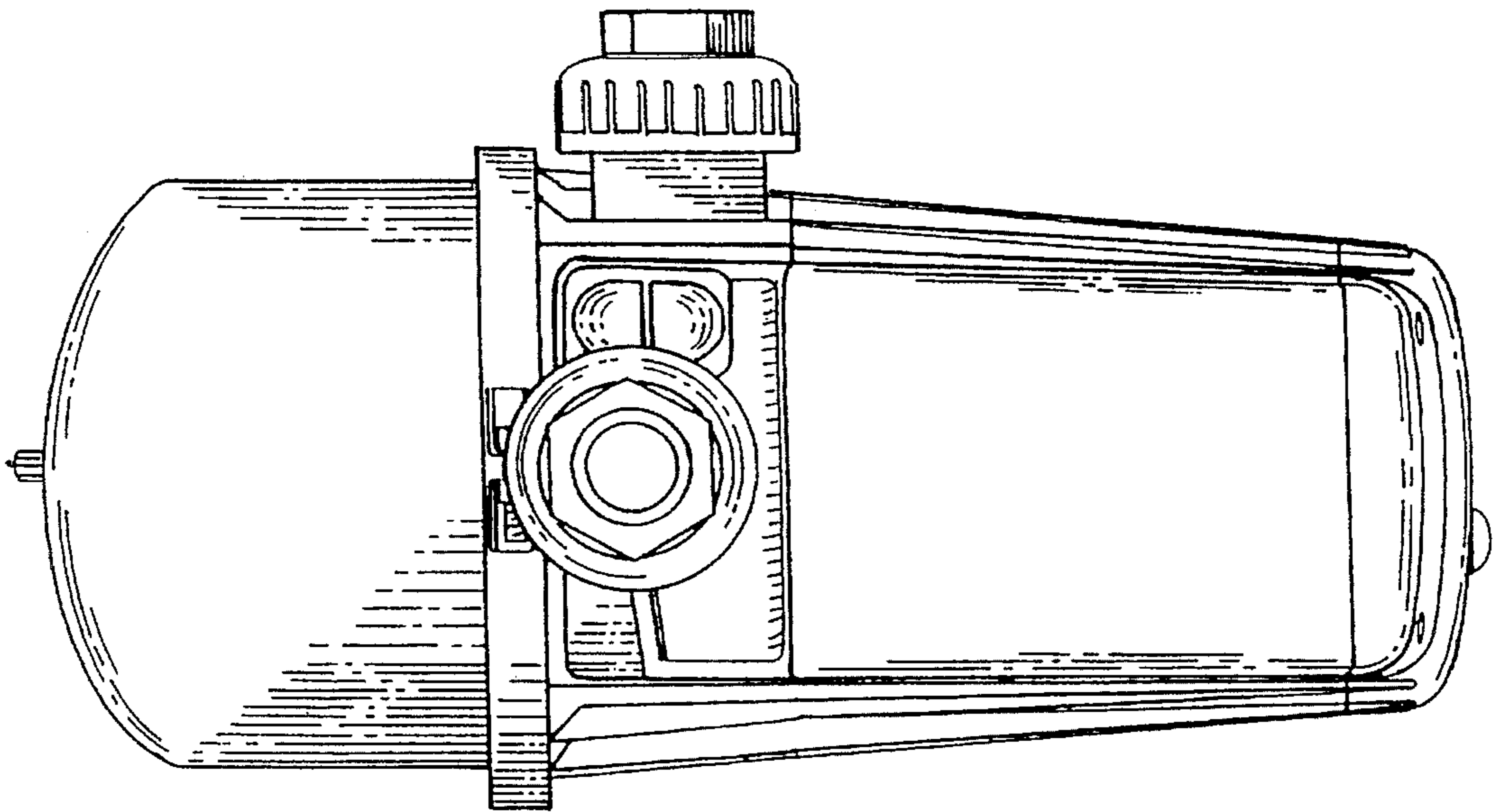


Fig. 5

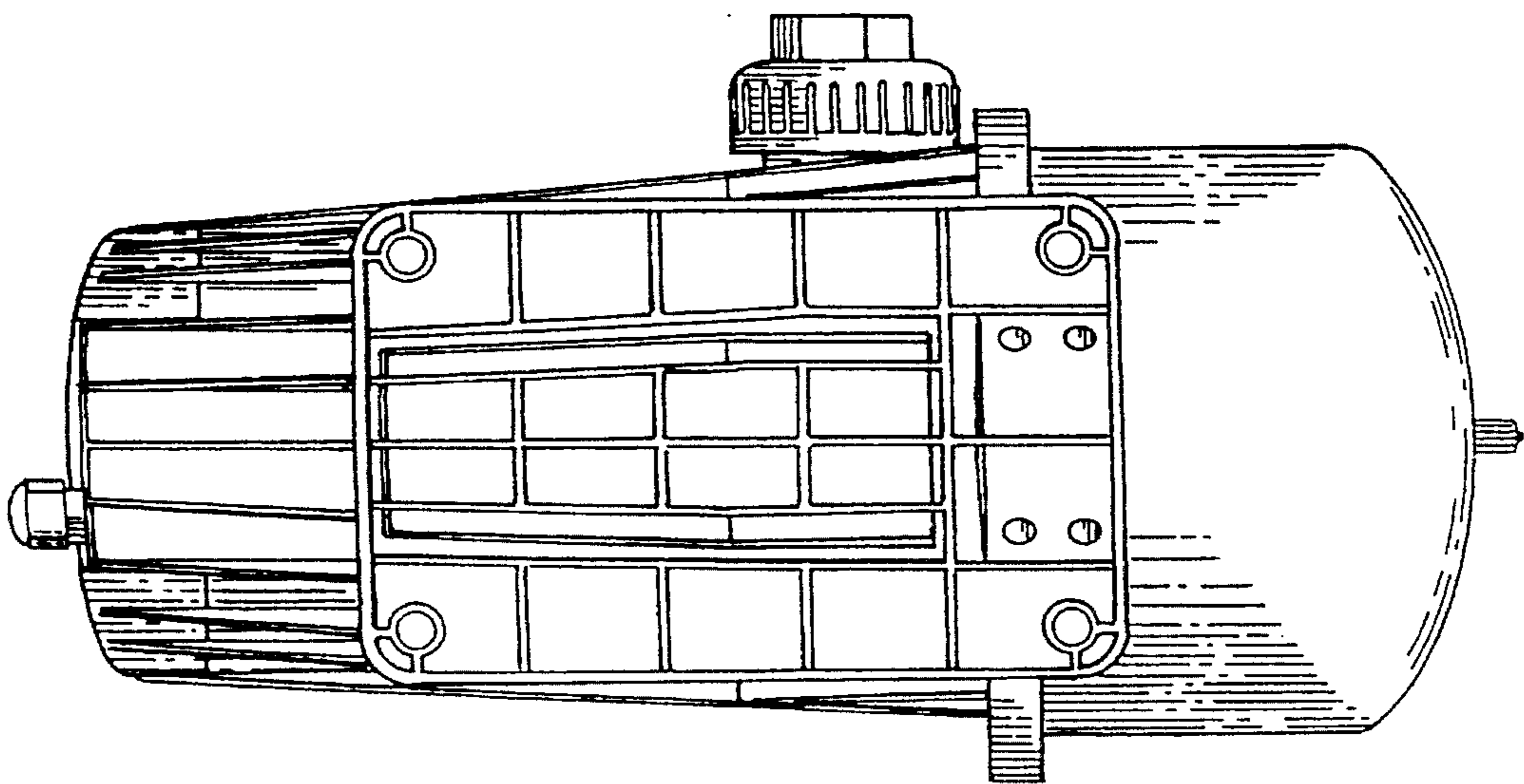


Fig. 6

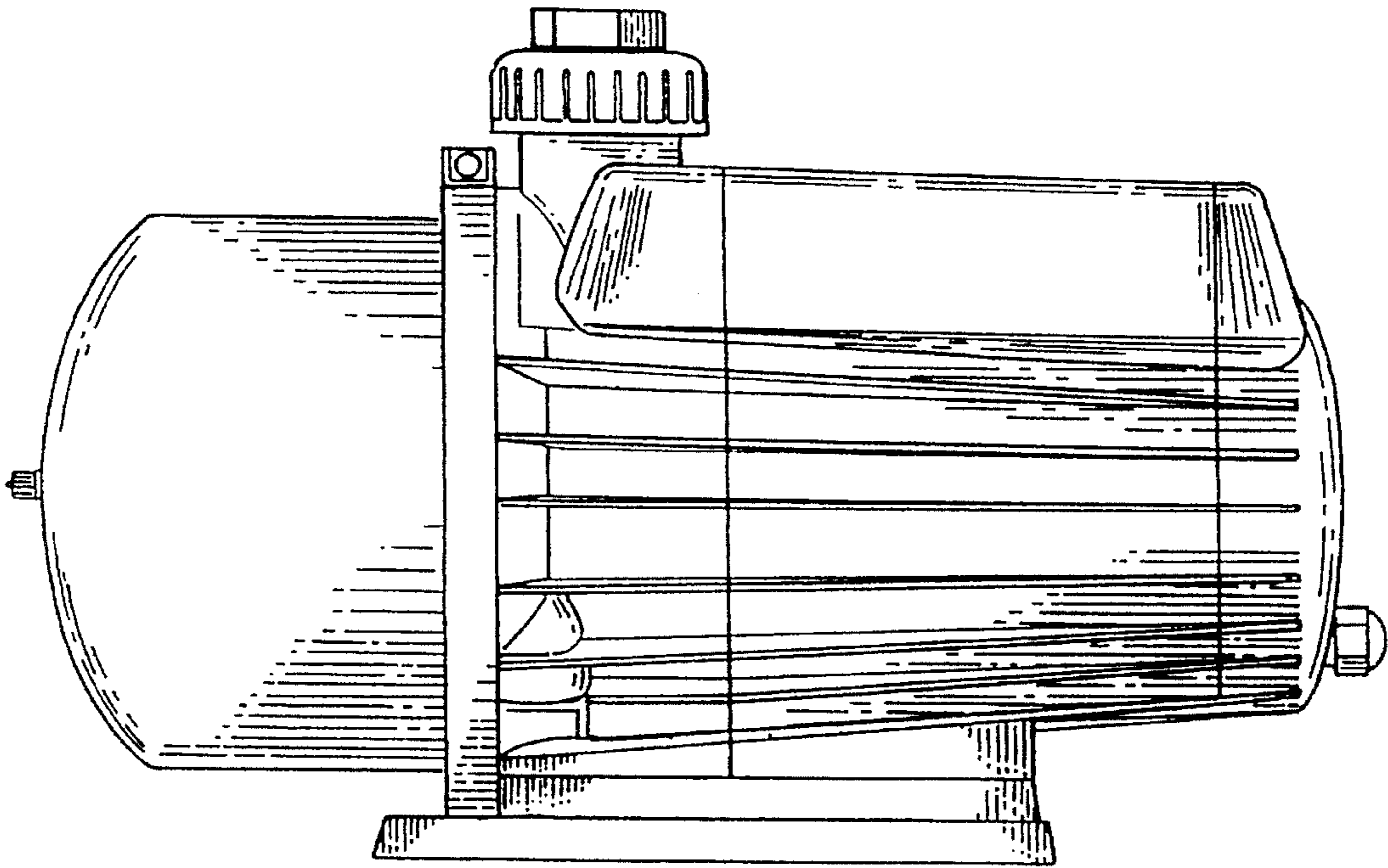


Fig. 7

