



US00D372717S

United States Patent [19]

Jarrett et al.

[11] Patent Number: Des. 372,717

[45] Date of Patent: **Aug. 13, 1996

[54] TELEPHONE ANSWERING DEVICE BASE UNIT

[75] Inventors: Alastair W. Jarrett, Fullerton; James W. Oblak, Redondo Beach; David A. Sharbaugh, Irvine; Michinari Ueki, Hermosa Beach, all of Calif.

[73] Assignee: PhoneMate, Inc., Torrance, Calif.

[**] Term: 14 Years

[21] Appl. No.: 35,243

[22] Filed: Feb. 23, 1995

Related U.S. Application Data

[62] Division of Ser. No. 25,431, Jul. 1, 1994, Pat. No. Des. 356,087, which is a continuation of Ser. No. 9,549, Jun. 15, 1993, abandoned.

[52] U.S. Cl. D14/240; D14/149

[58] Field of Search D14/137, 138, D14/140, 141, 142, 149, 150, 151, 240, 241, 144; 379/67, 70, 419, 420, 428, 440, 434-436

[56] References Cited

U.S. PATENT DOCUMENTS

- D. 277,665 2/1985 Genaro et al. D14/149
- D. 279,372 6/1985 Baba et al. .
- D. 284,189 6/1986 Takeuchi et al. D14/151
- D. 303,386 9/1989 Lino D14/149
- D. 303,964 10/1989 Fukutome D14/151 X
- D. 306,730 3/1990 Sugano et al. D14/151
- D. 307,426 4/1990 Ohta et al. D14/149 X
- D. 311,398 10/1990 Sugano D14/142 X

- D. 312,458 11/1990 Suzuki D14/141 X
- D. 316,857 5/1991 Park D14/138
- D. 318,661 7/1991 Fuqua et al. .
- D. 325,915 5/1992 Nagele et al. D24/248
- D. 356,087 3/1995 Jarrett et al. D14/151
- 4,491,696 1/1985 Haskins et al. .
- 4,515,998 5/1985 Pinede et al. .
- 4,517,420 5/1985 Haskins .
- 4,741,033 4/1988 Utoh et al. .
- 4,790,007 12/1988 Richter et al. .
- 4,902,079 2/1990 Kaplan et al. .

FOREIGN PATENT DOCUMENTS

- 60-2699 1/1985 Japan .
- 61-181243 8/1986 Japan .

Primary Examiner—Jeffrey Asch
Attorney, Agent, or Firm—Frishauf, Holtz, Goodman, Langer & Chick

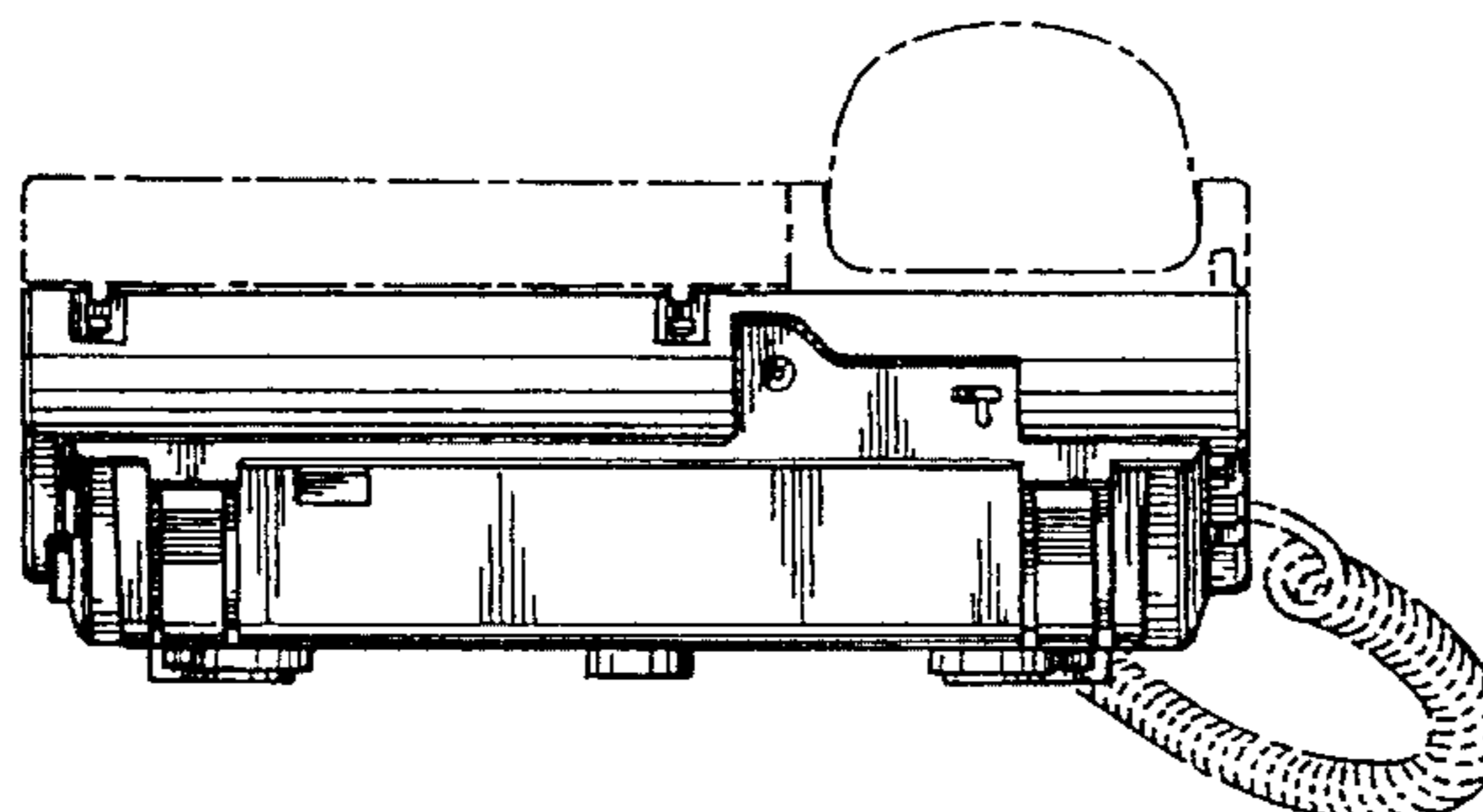
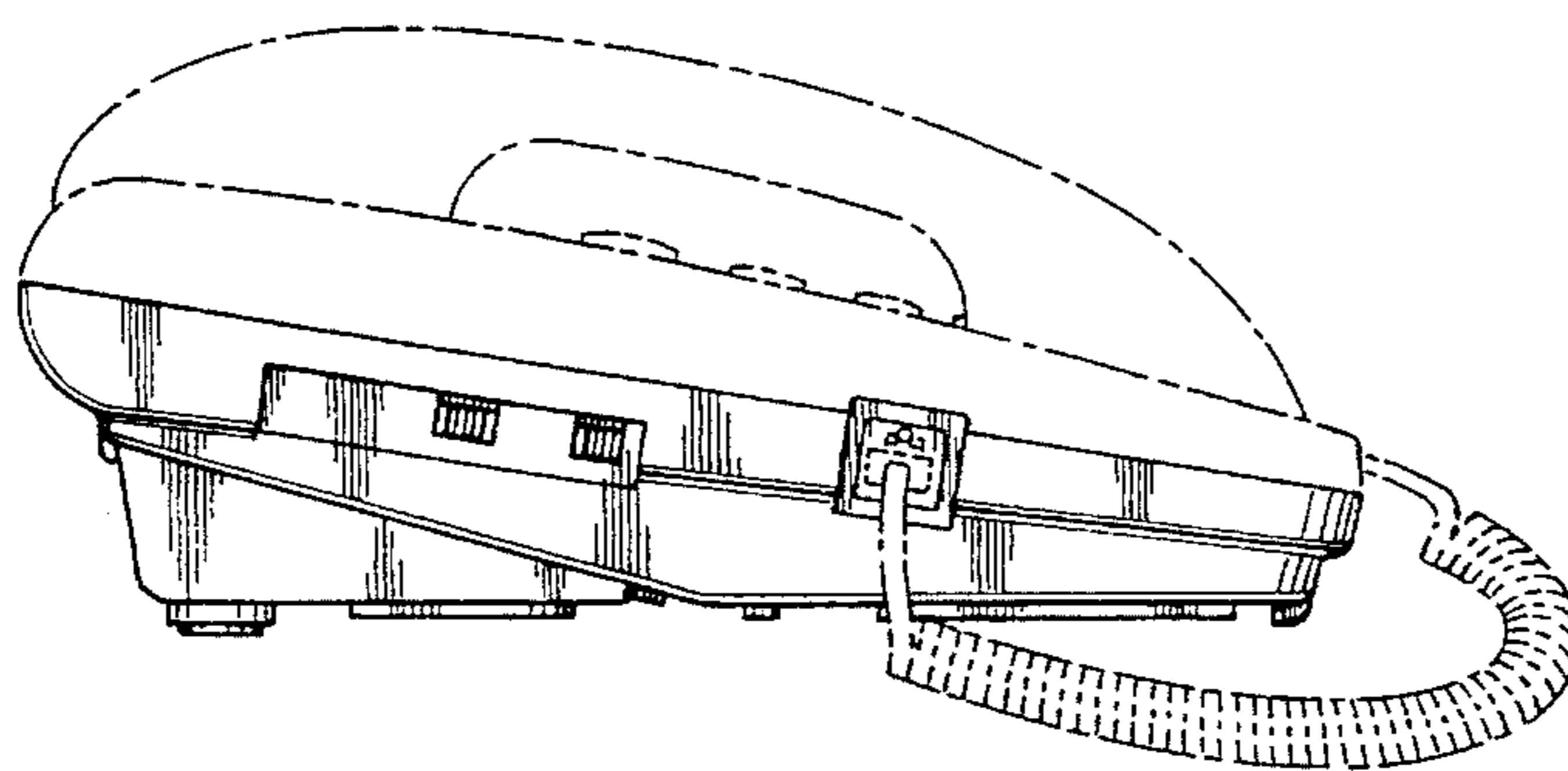
[57] CLAIM

The ornamental design for a telephone answering device base unit, as shown and described.

DESCRIPTION

FIG. 1 is a left side view of a telephone, answering device base unit showing our new design; FIG. 2 is a front elevational view thereof; FIG. 3 is a right side view thereof; FIG. 4 is a rear elevational view thereof; FIG. 5 is a bottom plan view thereof; and, FIG. 6 is a front, top, right side perspective view thereof. The broken line showings throughout the views are for illustrative purposes only and form no part of the claimed design.

1 Claim, 3 Drawing Sheets



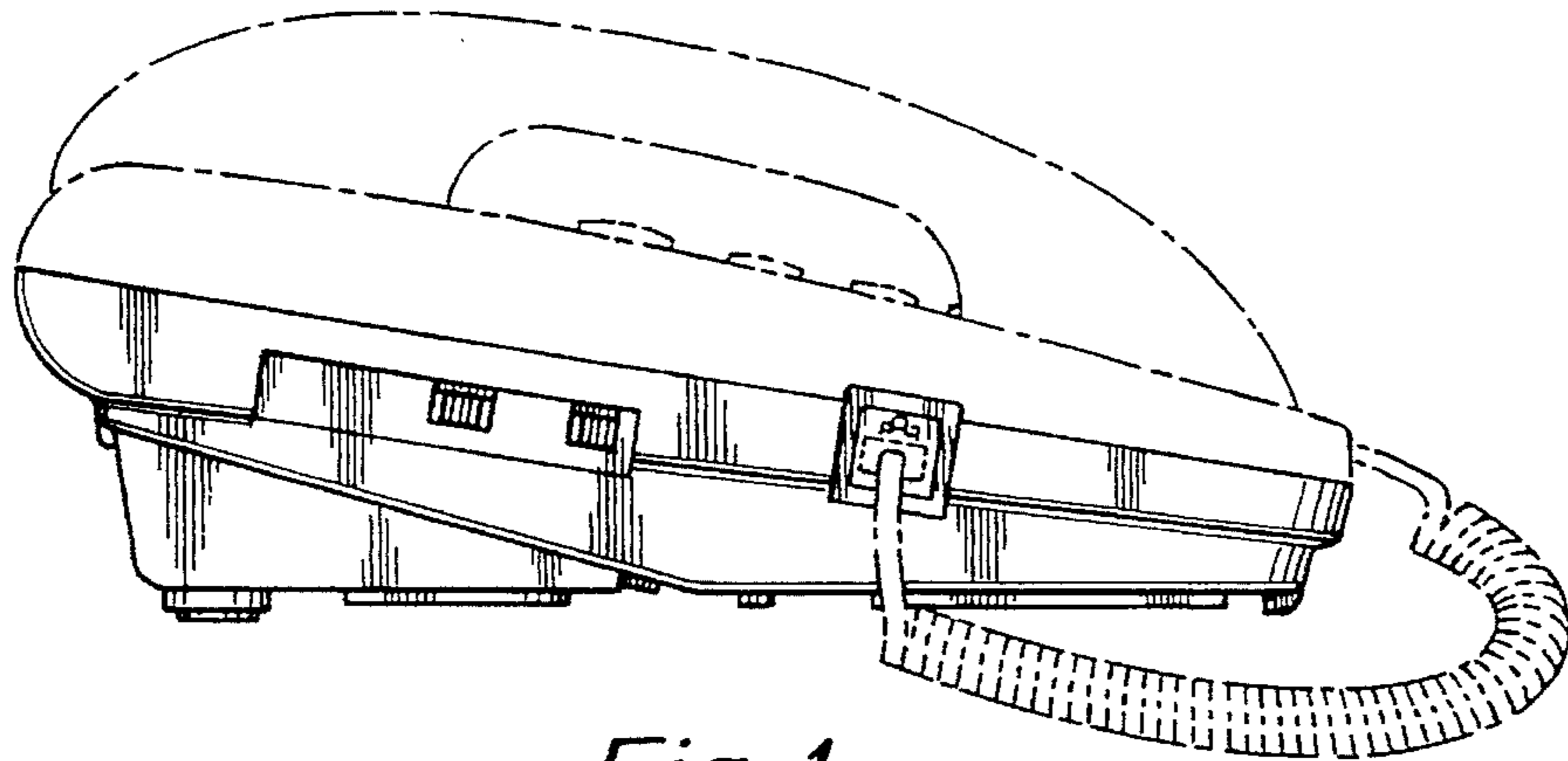


Fig. 1

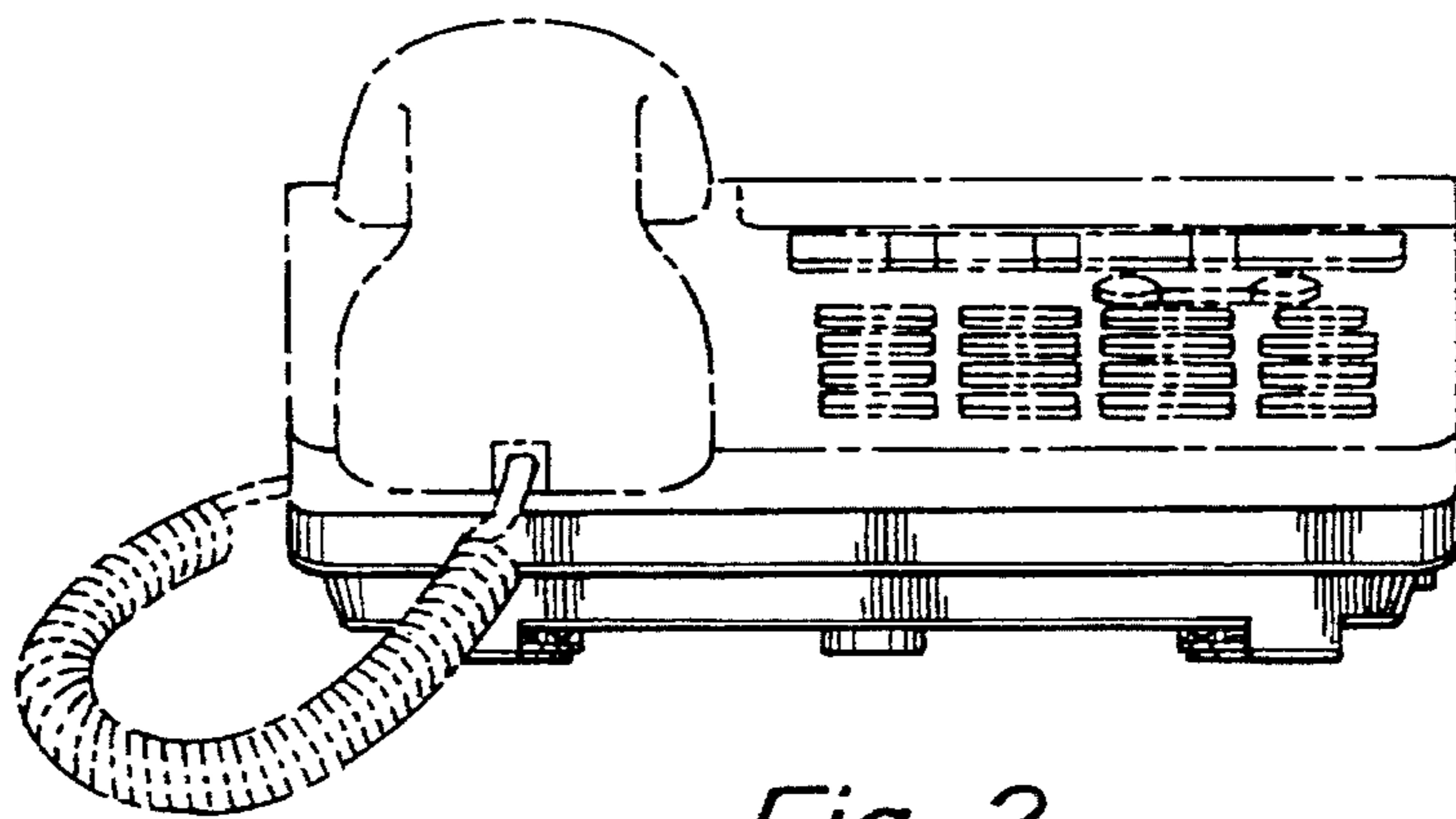


Fig. 2

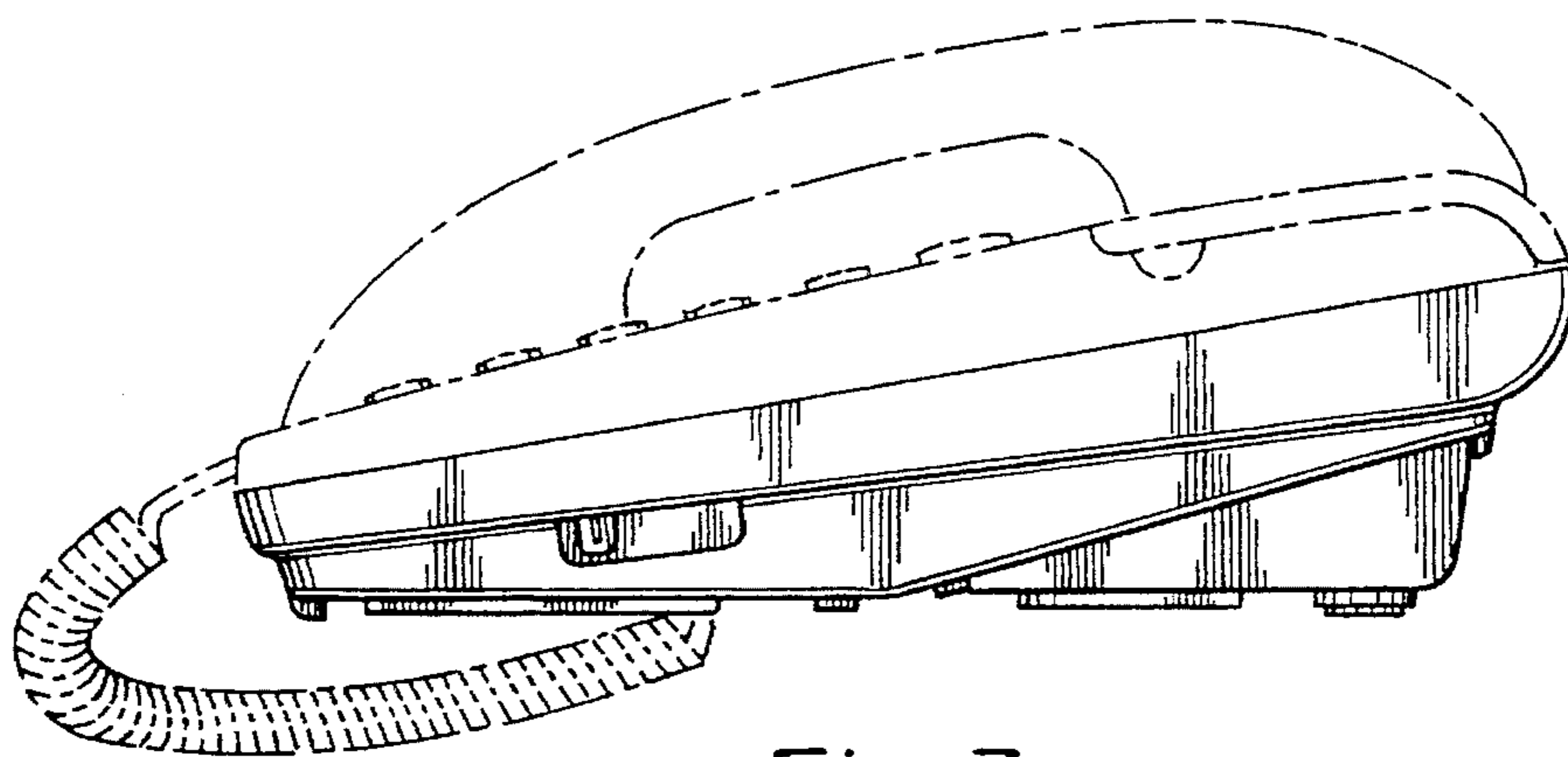


Fig. 3

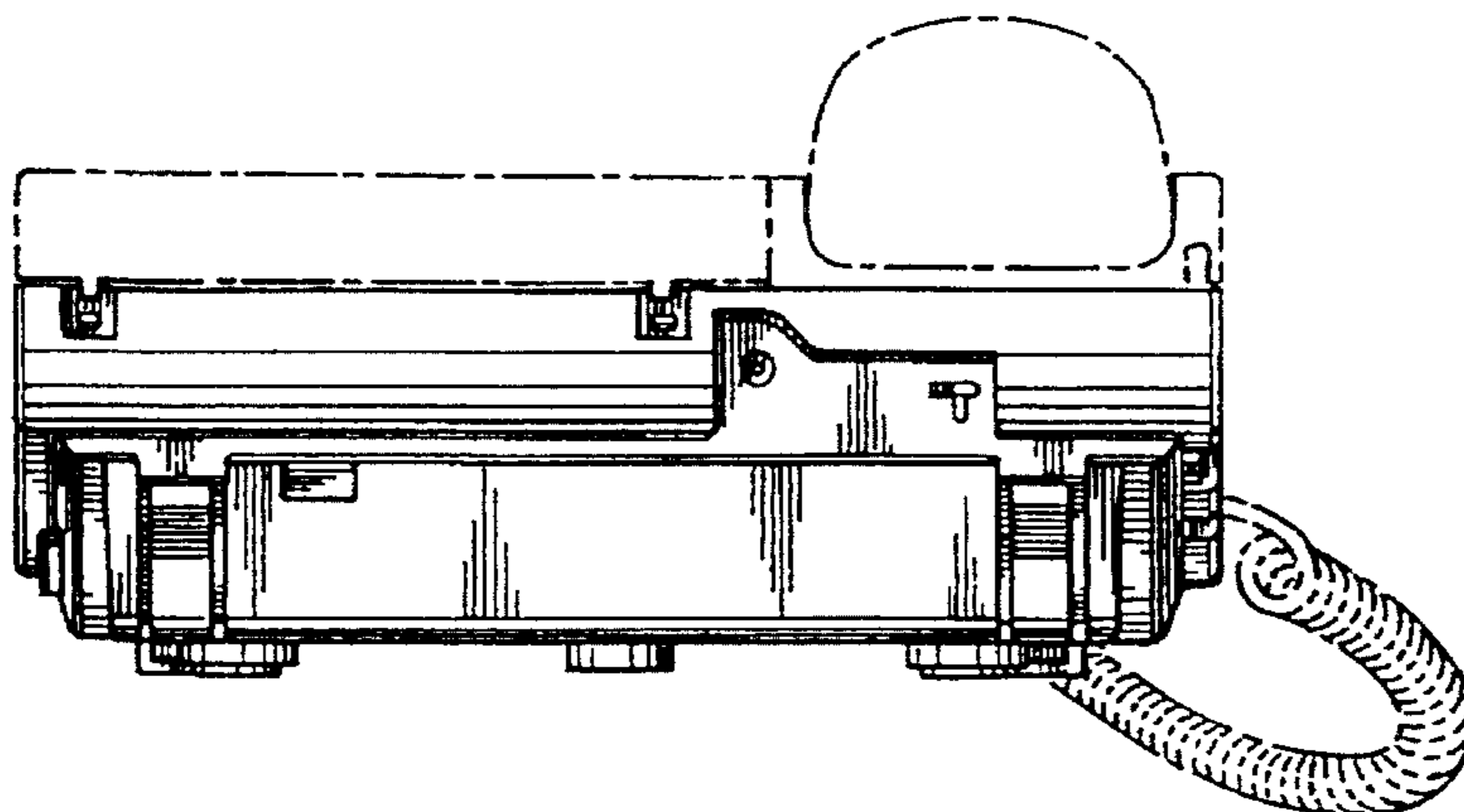


Fig. 4

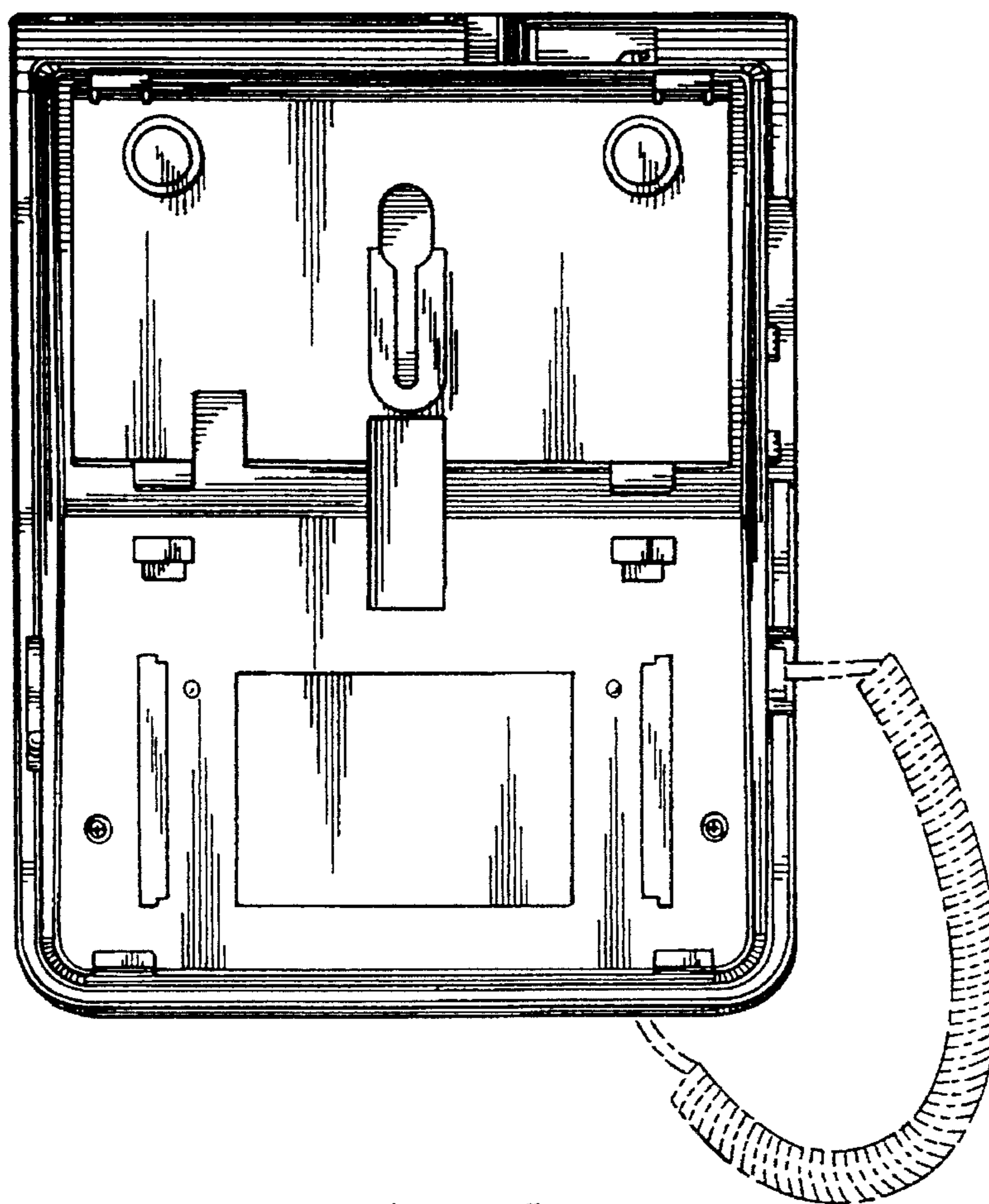


Fig. 5

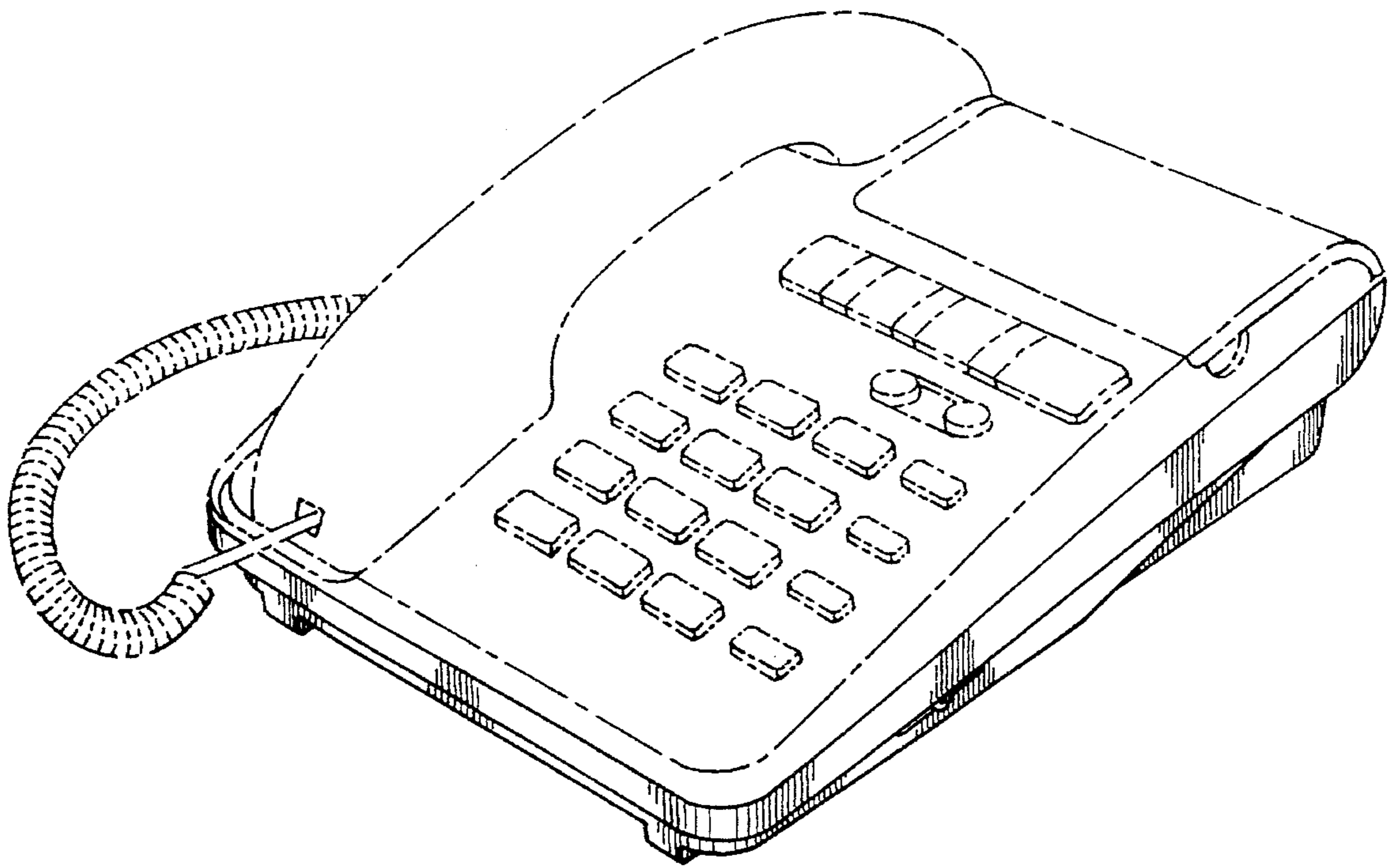


Fig. 6