



US00D372711S

**United States Patent** [19]  
**Hyougo**

[11] **Patent Number: Des. 372,711**

[45] **Date of Patent: \*\*Aug. 13, 1996**

[54] **VIDEO CASSETTE RECORDER**

[75] Inventor: **Kuninori Hyougo**, Tokyo, Japan

[73] Assignee: **Sony Corporation**, Tokyo, Japan

[\*\*] Term: **14 Years**

[21] Appl. No.: **32,452**

[22] Filed: **Dec. 19, 1994**

[52] U.S. Cl. .... **D14/135**

[58] Field of Search ..... **D14/135, 136,  
D14/156, 239**

[56] **References Cited**

**U.S. PATENT DOCUMENTS**

D. 313,799	1/1991	Shim	.....	D14/135
D. 339,120	9/1993	Shimose et al.	.....	D14/135
D. 345,156	3/1994	Ishibashi et al.	.....	D14/135
D. 348,264	6/1994	Byun	.....	D14/135

*Primary Examiner*—Dominic Simone  
*Assistant Examiner*—Richelle Shelton  
*Attorney, Agent, or Firm*—Beveridge, DeGrandi, Weilacher & Young, L.L.P.

[57] **CLAIM**

The ornamental design for a video cassette recorder, as shown and described.

**DESCRIPTION**

FIG. 1 is a perspective view of a video cassette recorder

showing my new design;

FIG. 2 is a front elevation view thereof;

FIG. 3 is a rear elevation view thereof;

FIG. 4 is a top plan view thereof;

FIG. 5 is a bottom plan view thereof;

FIG. 6 is a left side elevation view thereof;

FIG. 7 is a right side elevation view thereof;

FIG. 8 is a perspective view of the video cassette recorder with the main door in the open position;

FIG. 9 is a bottom plan view thereof;

FIG. 10 is a left side elevation view thereof;

FIG. 11 is a right side elevation view thereof;

FIG. 12 is a perspective view of the video cassette recorder with the lower door in the open position;

FIG. 13 is a front elevation view thereof;

FIG. 14 is a top plan view thereof;

FIG. 15 is a bottom plan view thereof;

FIG. 16 is a left side elevation thereof; and,

FIG. 17 is a right side elevation view thereof.

**1 Claim, 6 Drawing Sheets**

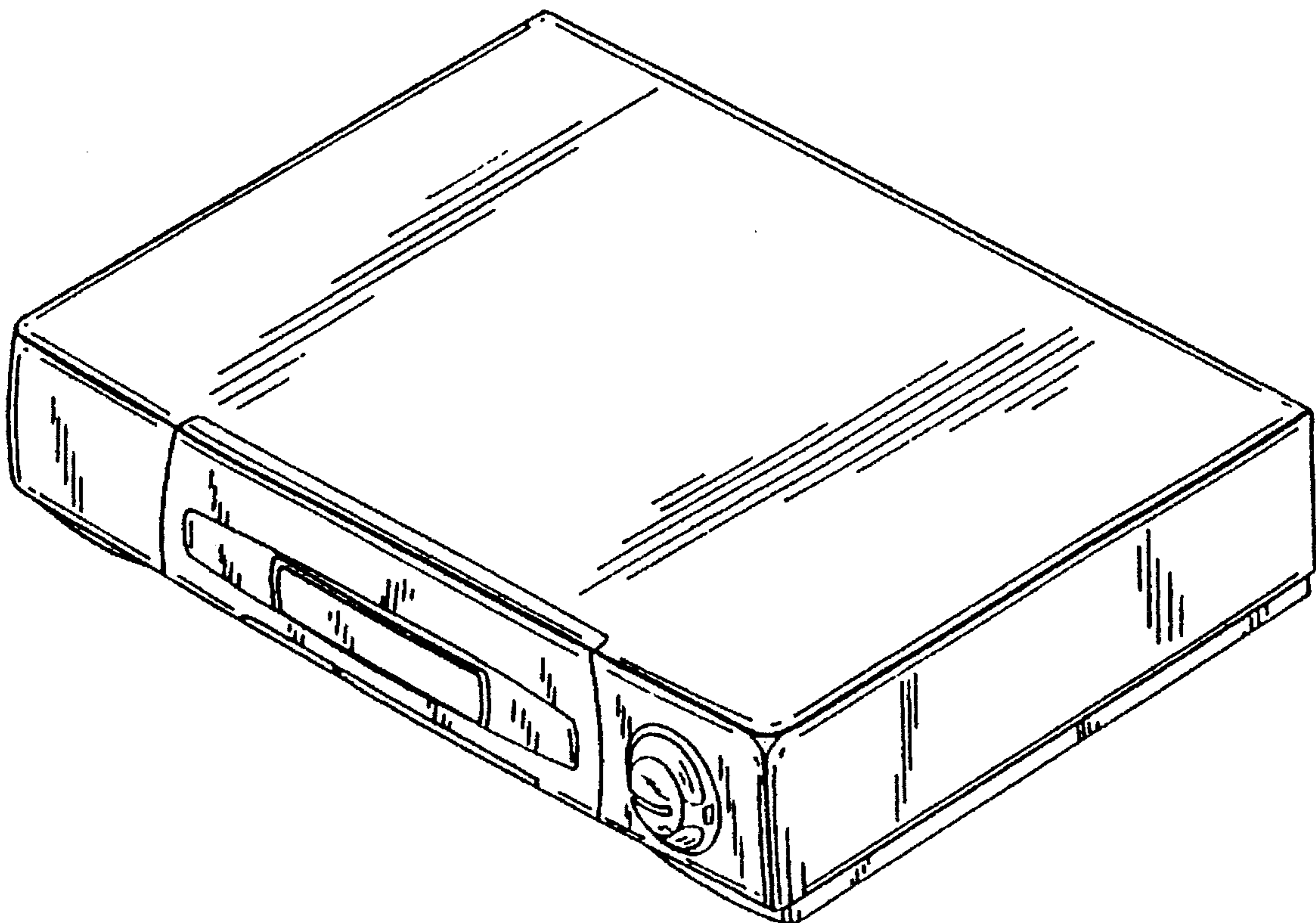


FIG. 1

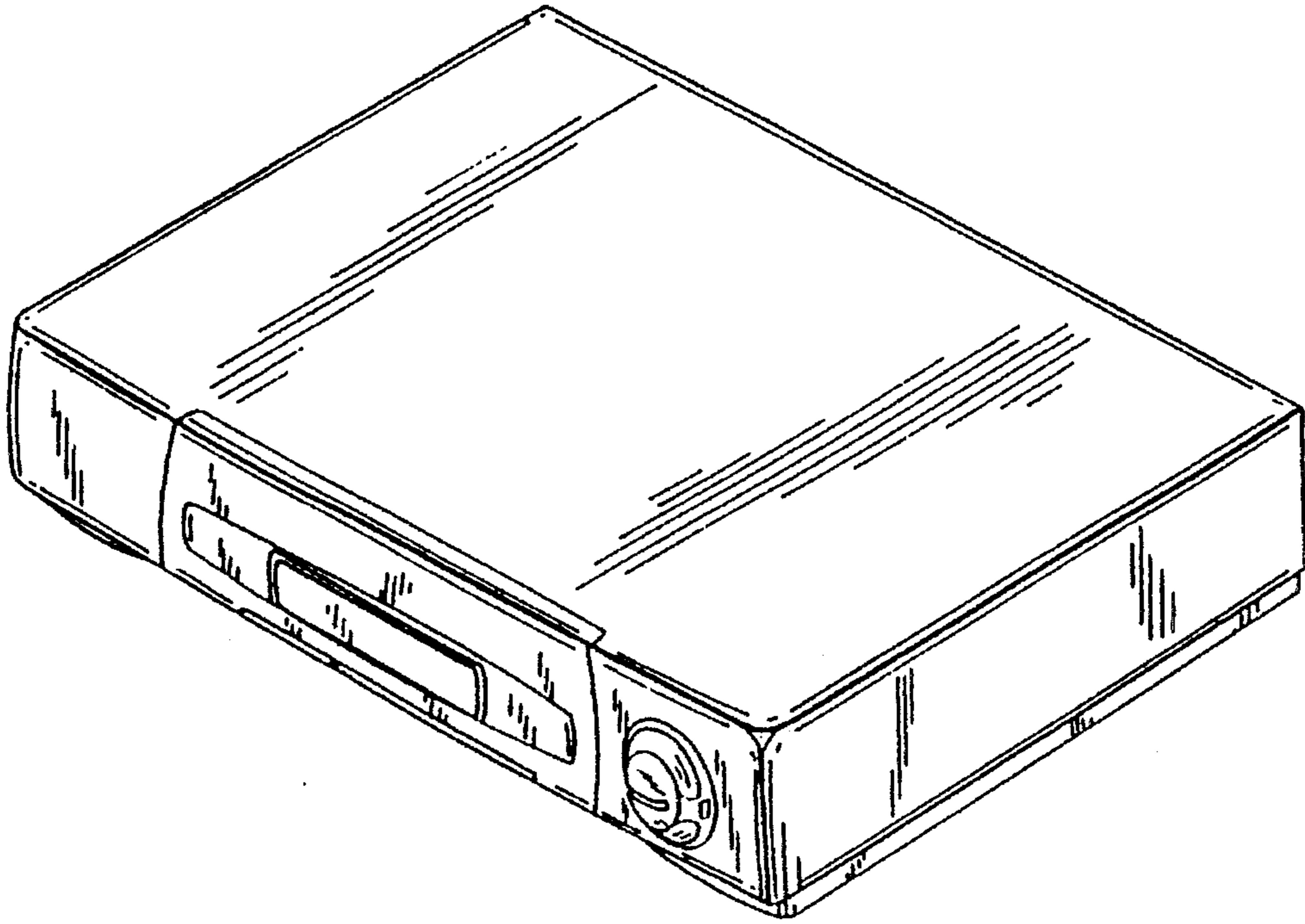


FIG. 2

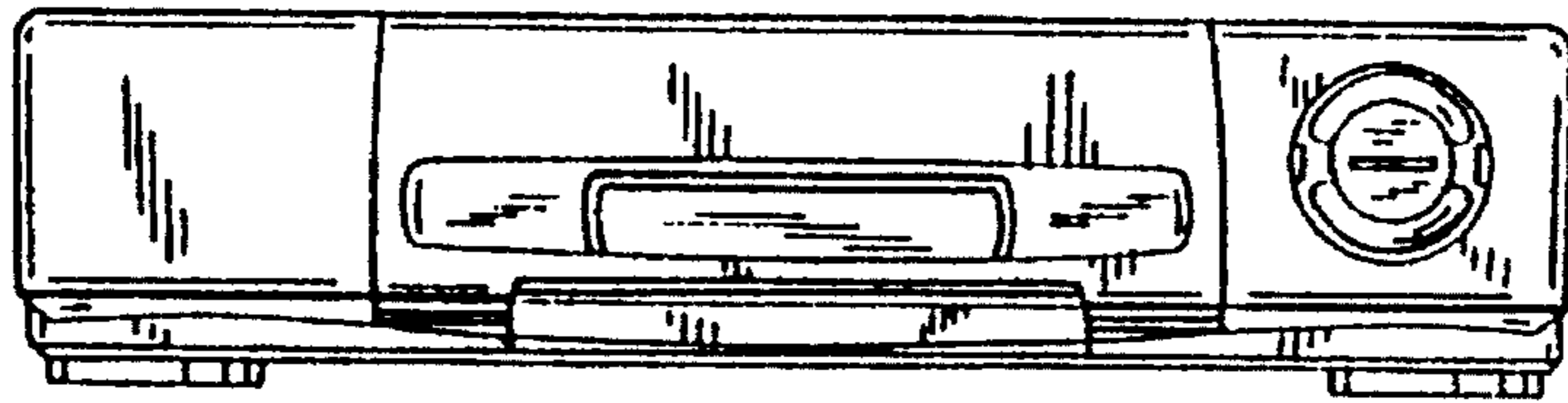


FIG. 3

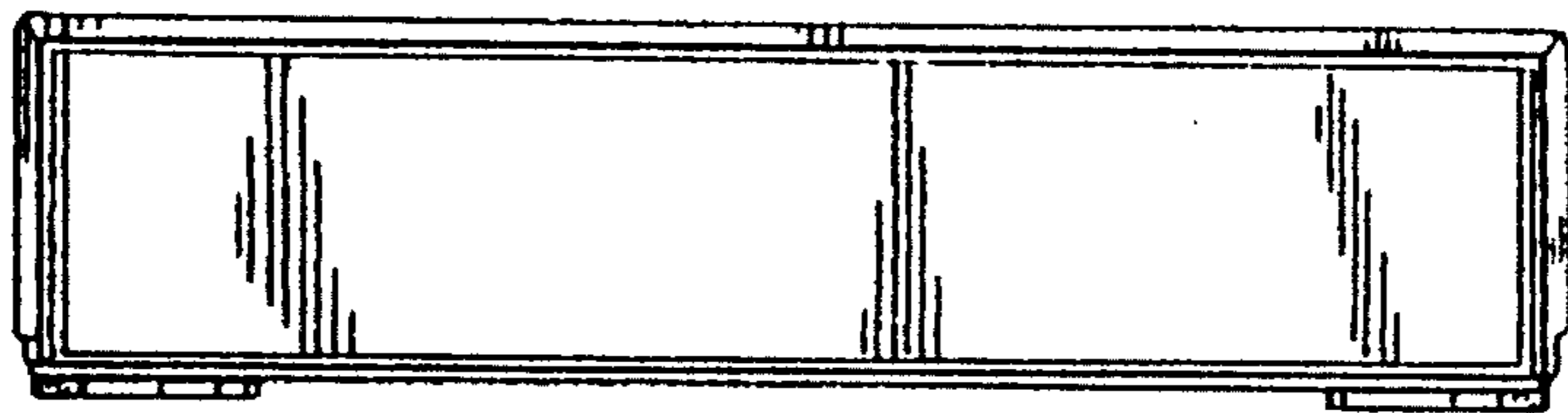


FIG. 4

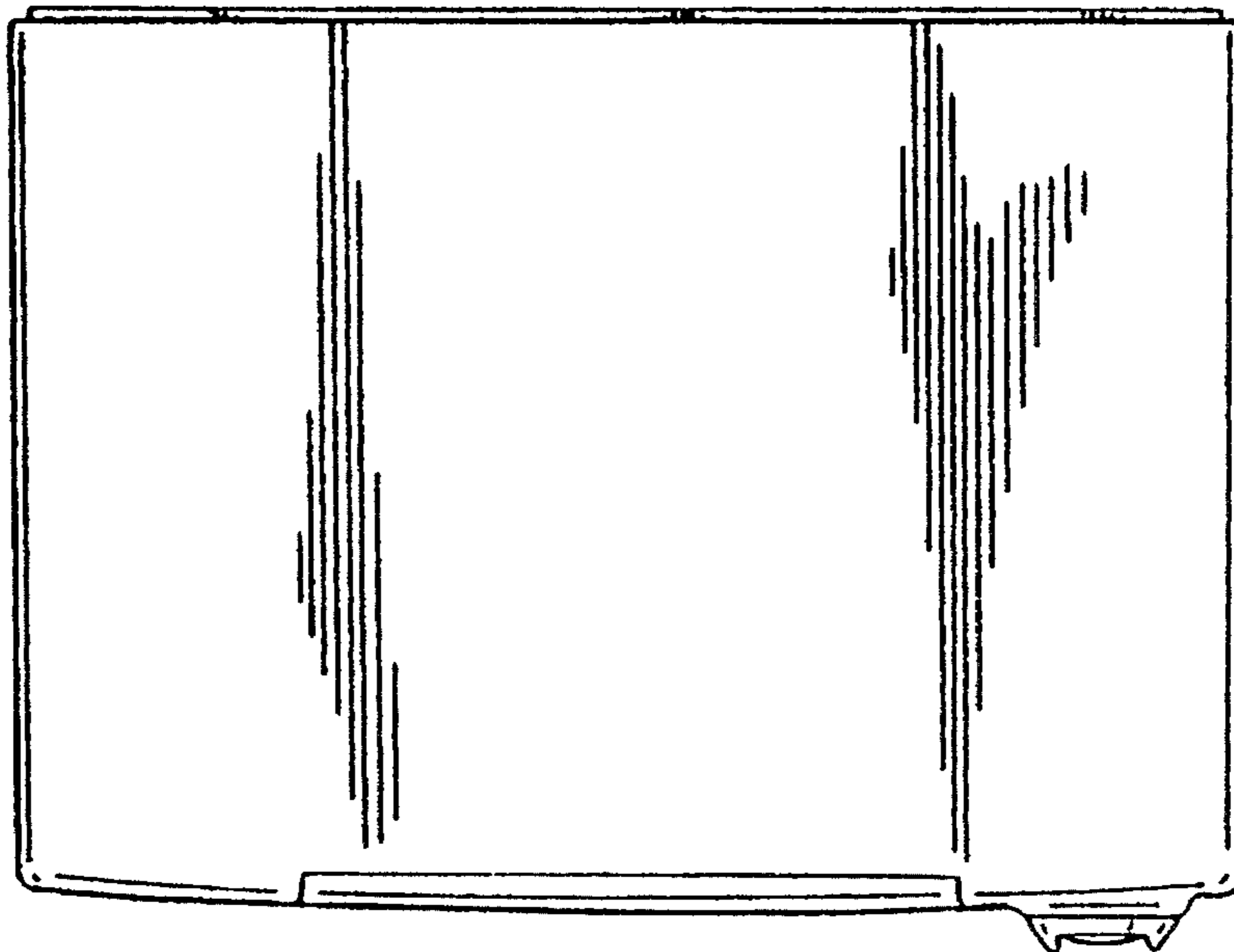


FIG. 5

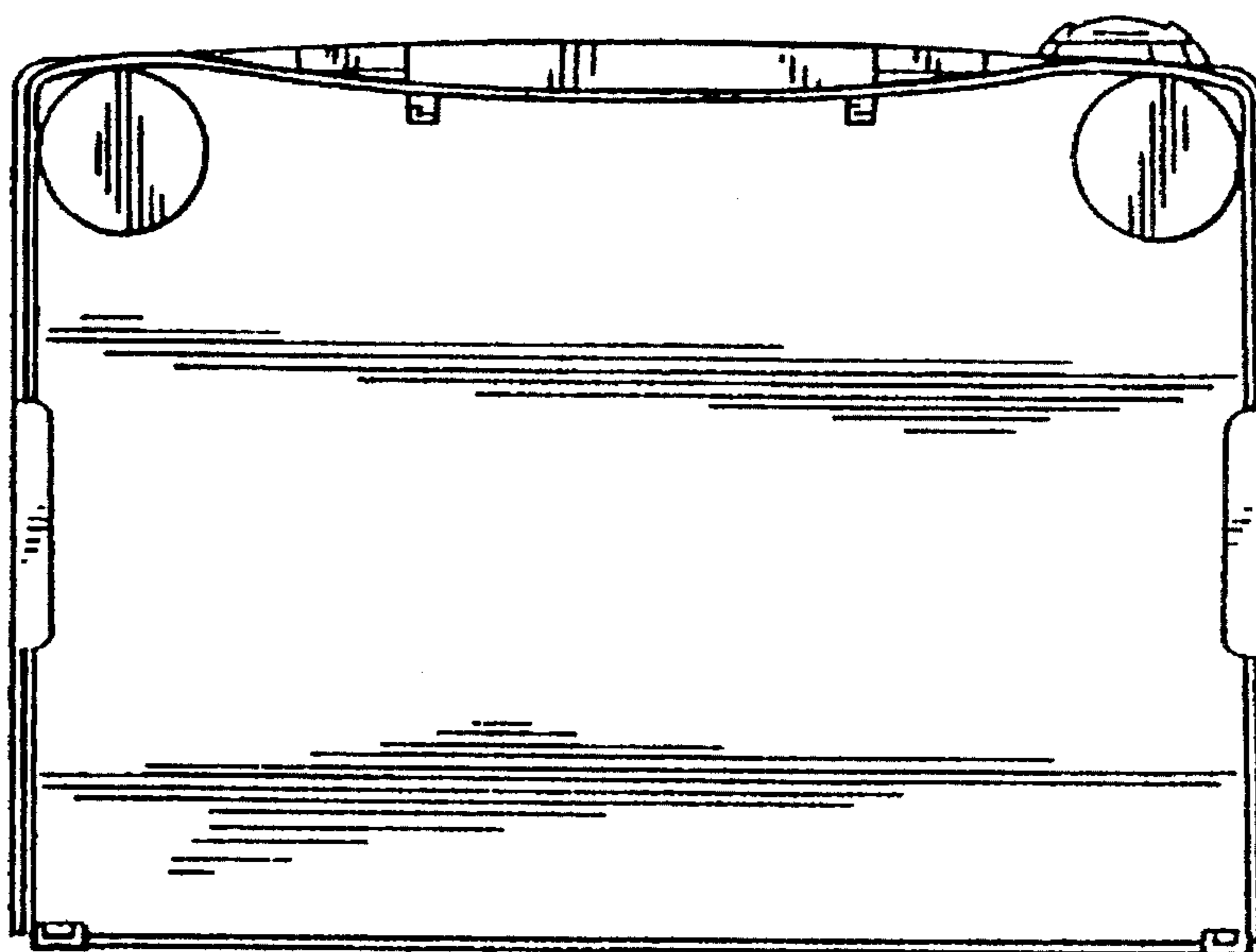


FIG. 6

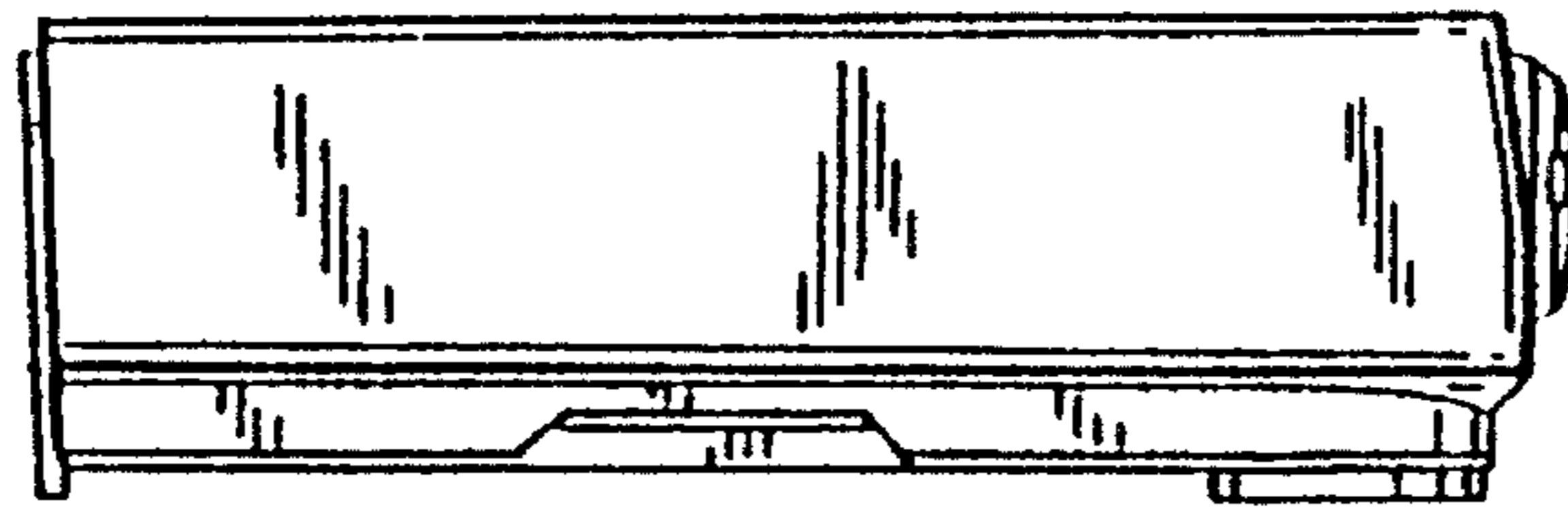


FIG. 7

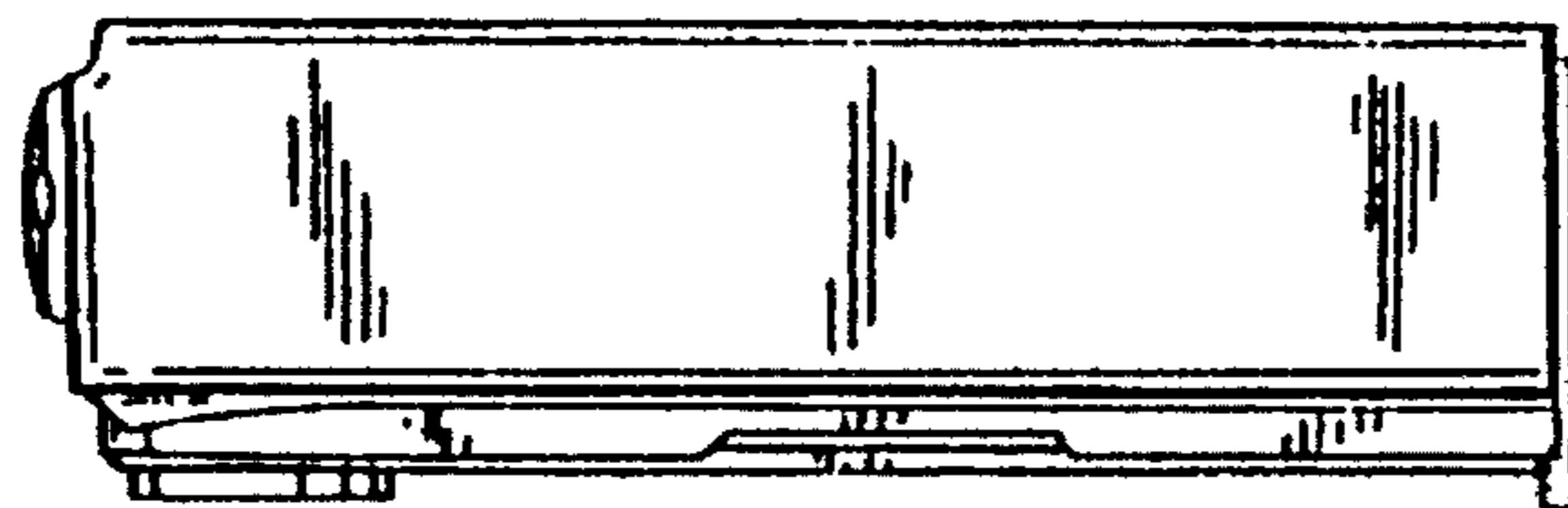


FIG. 8

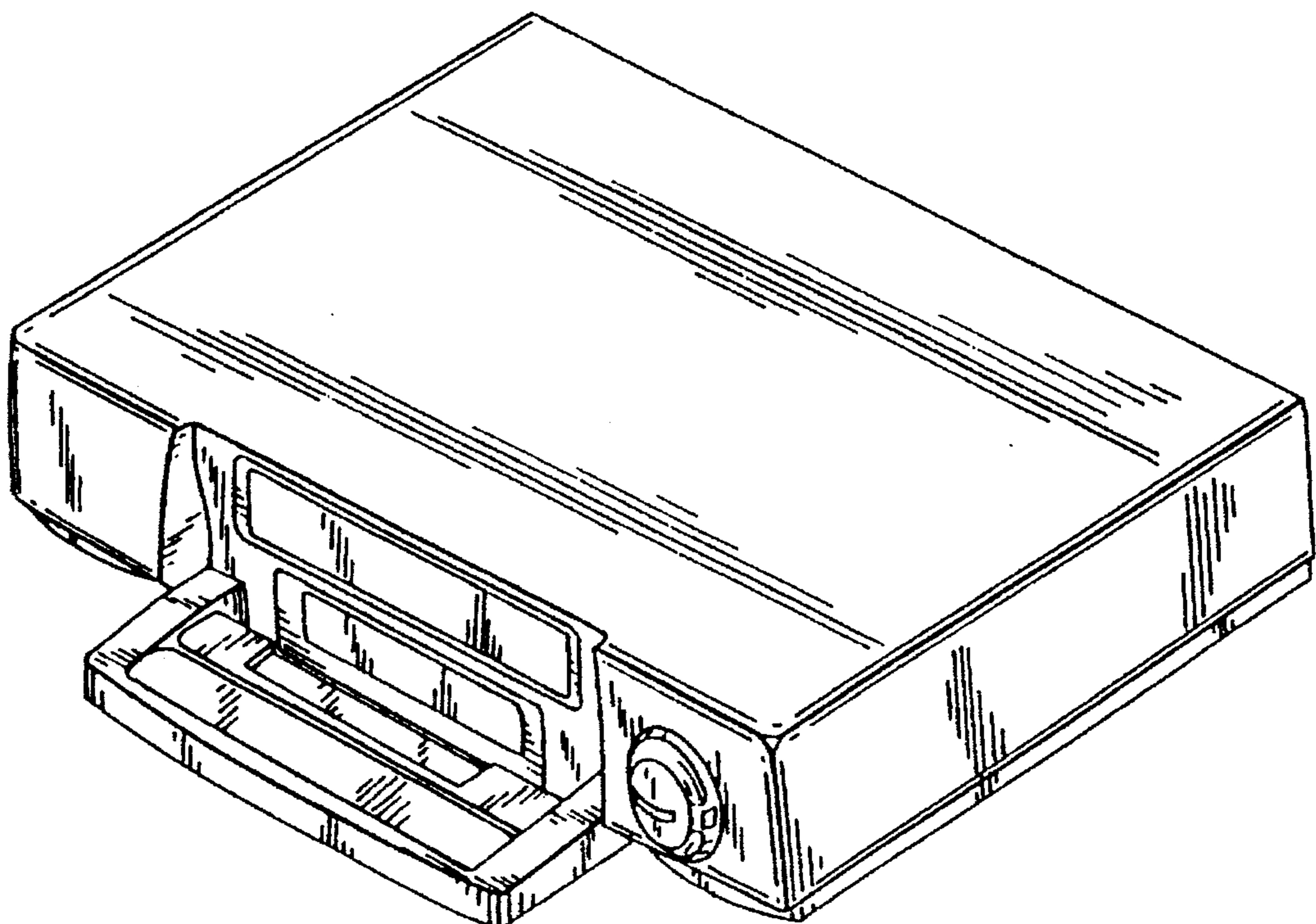


FIG. 9

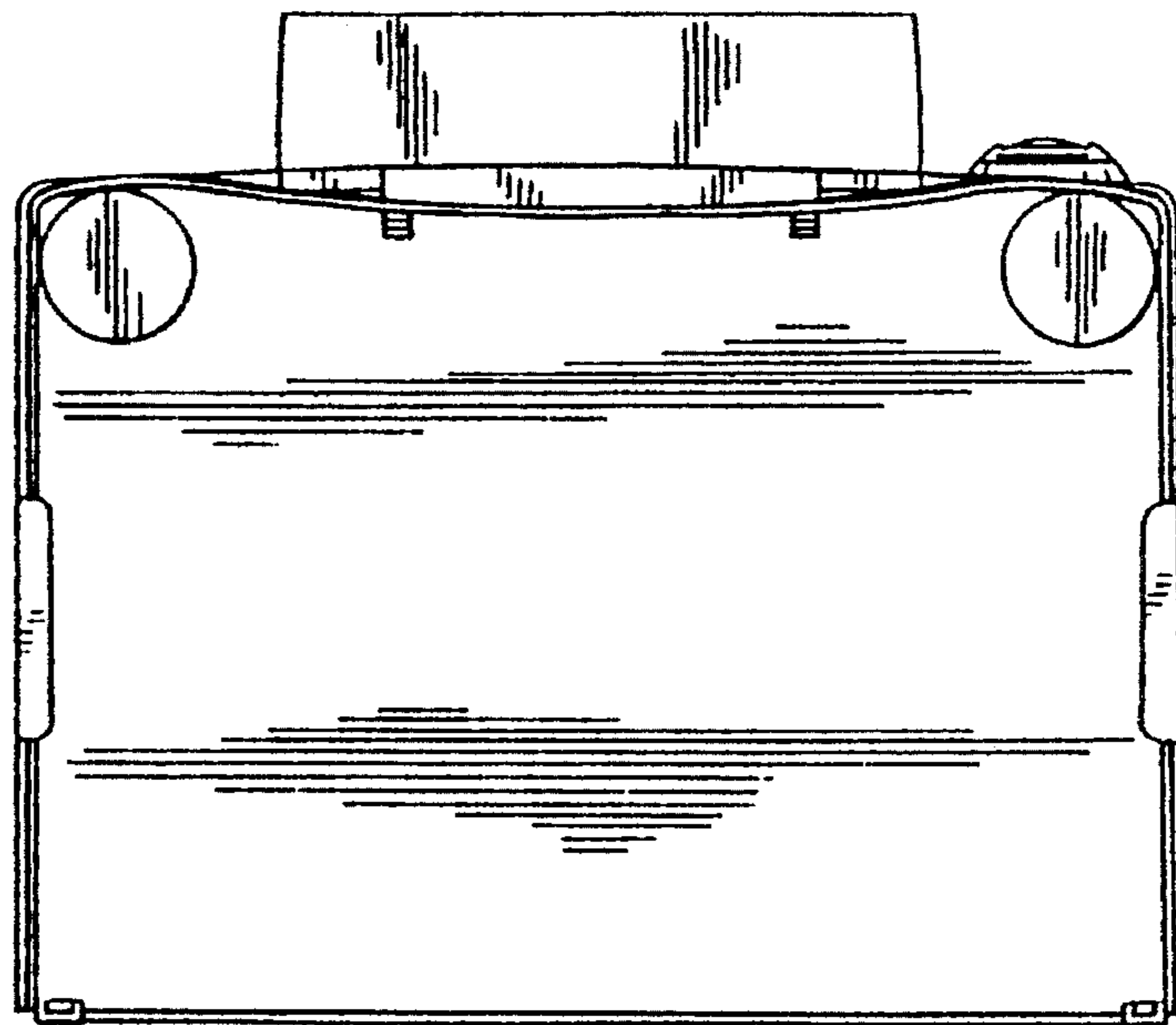


FIG. 10

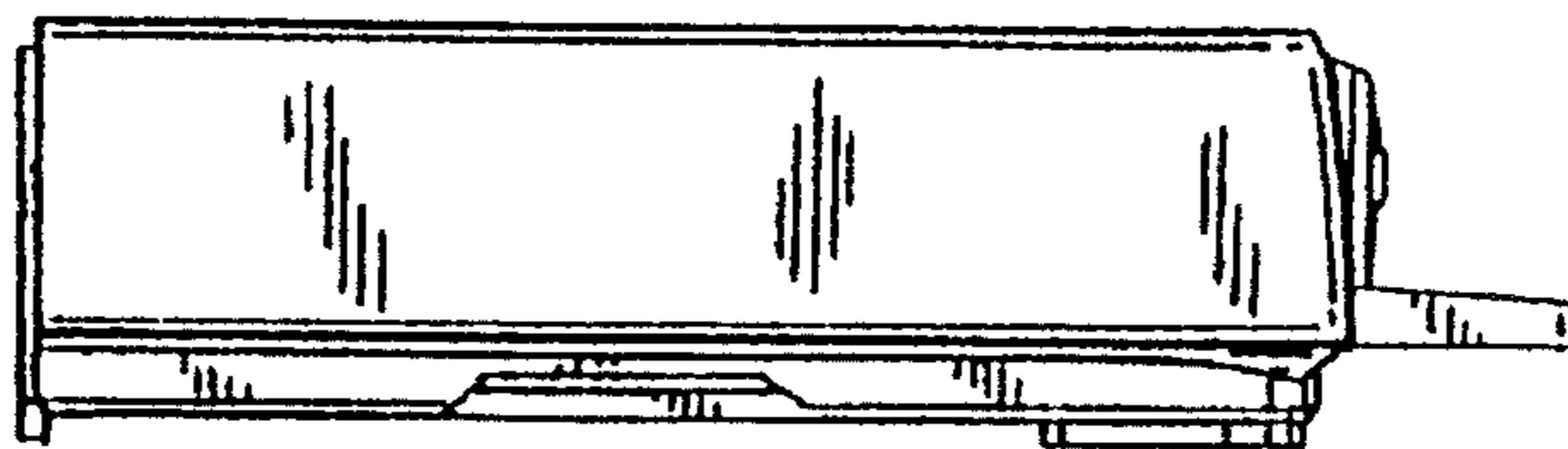


FIG. 11

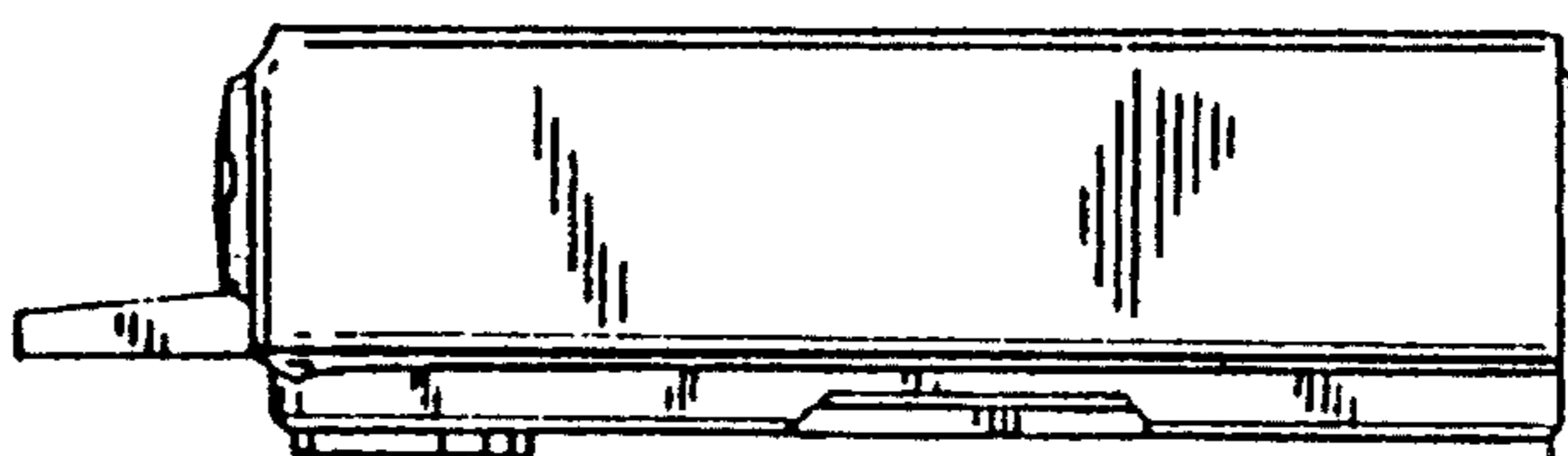


FIG. 12

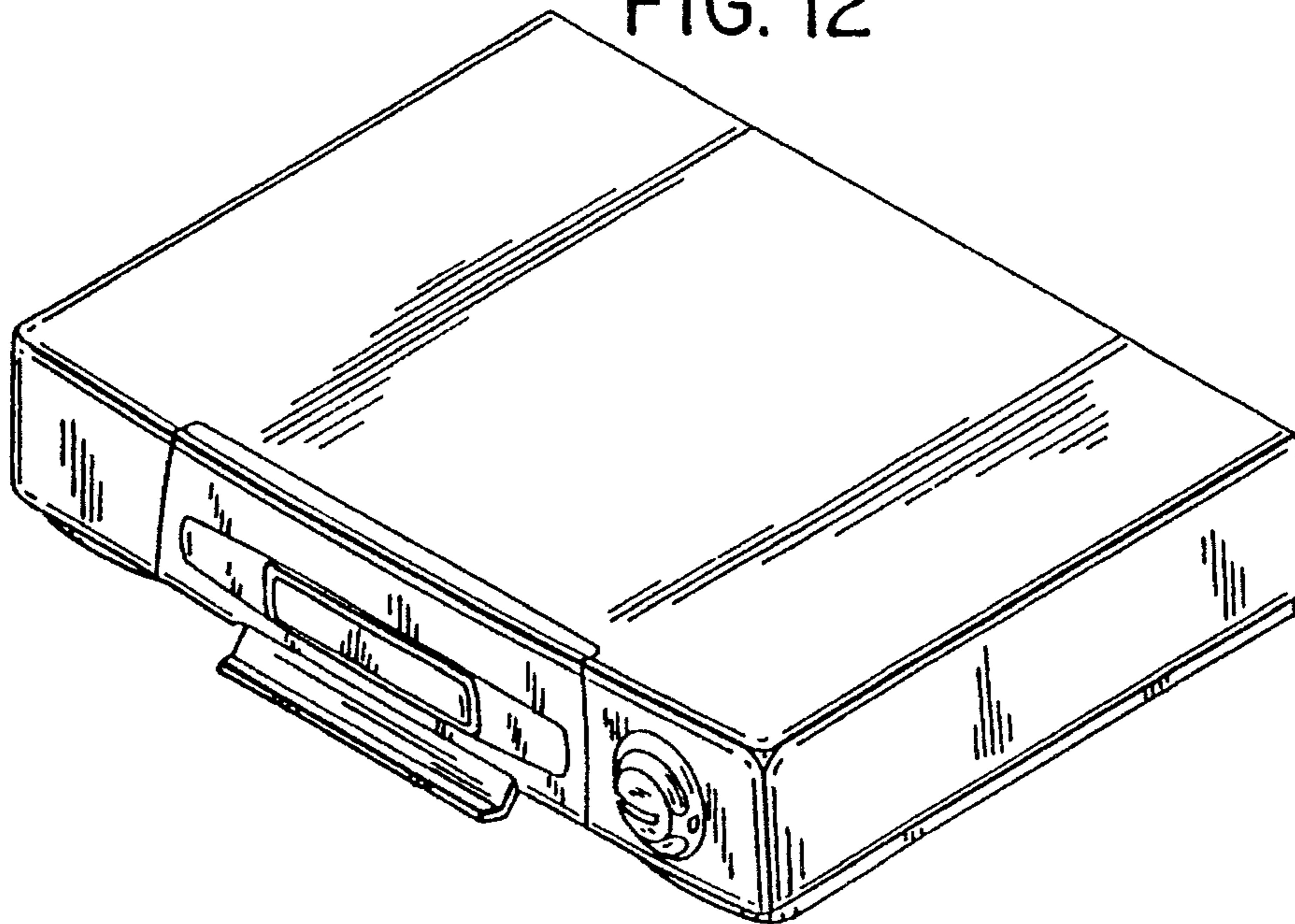


FIG. 13

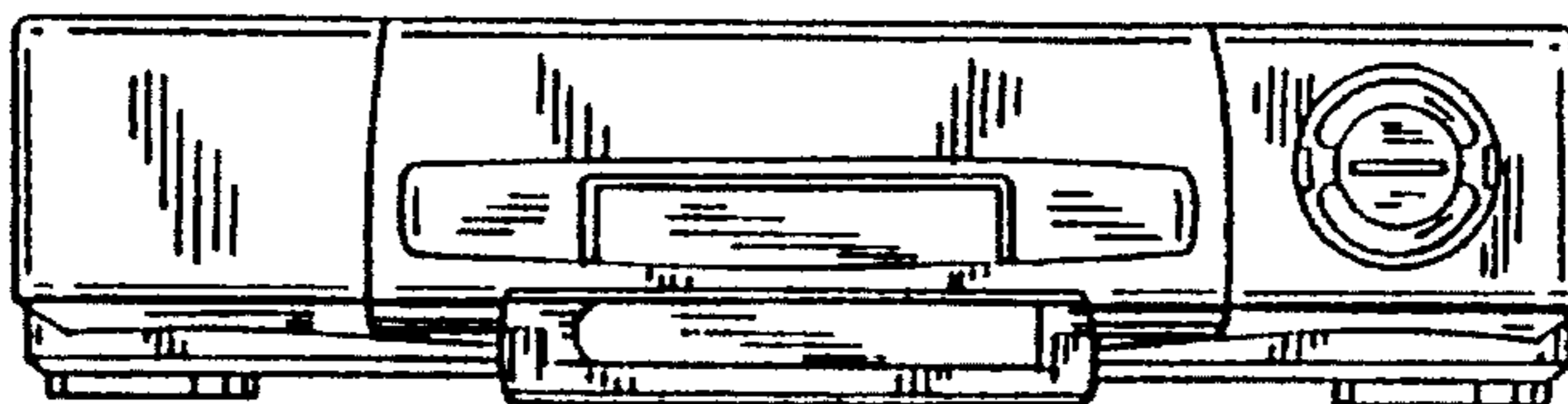


FIG. 14

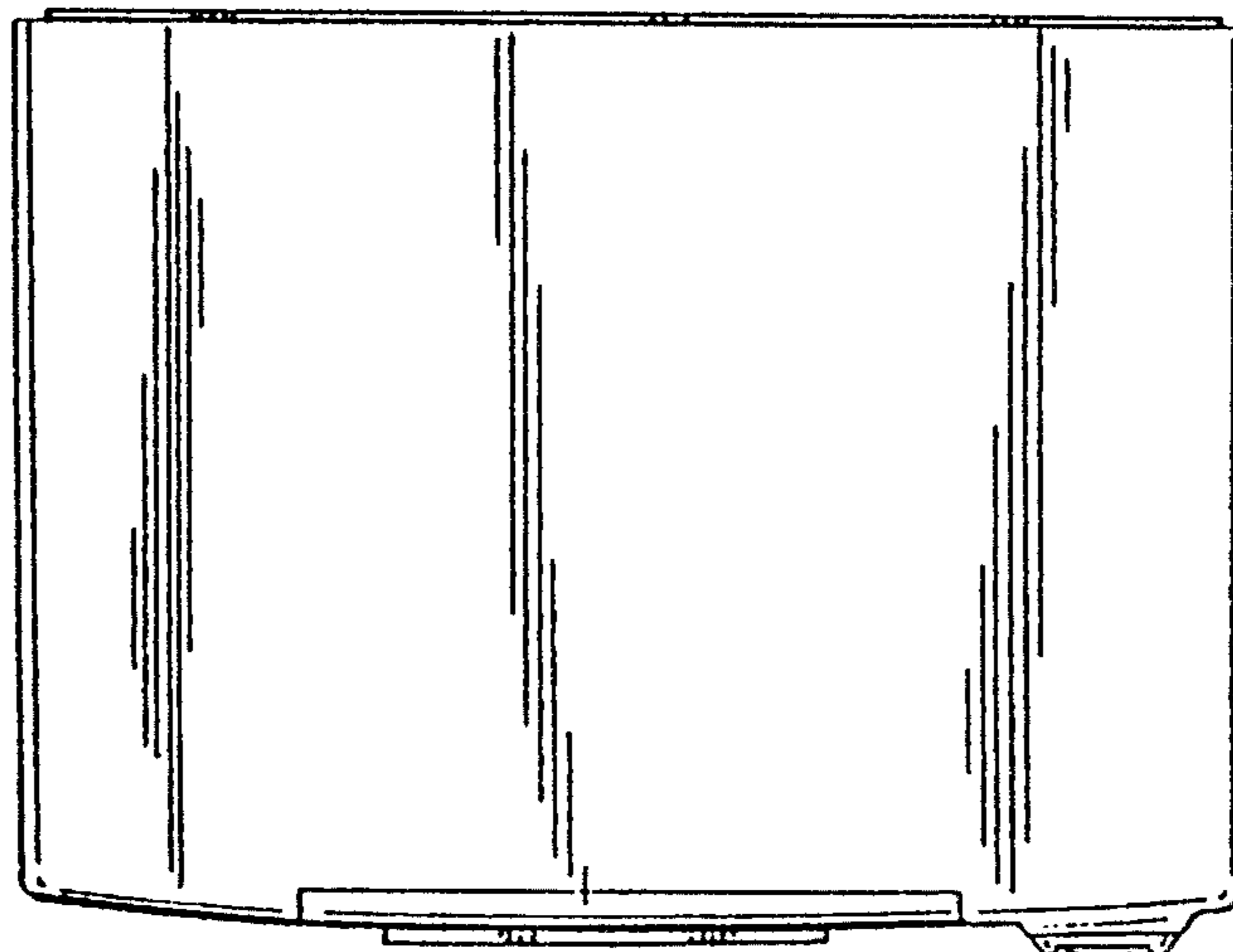


FIG. 15

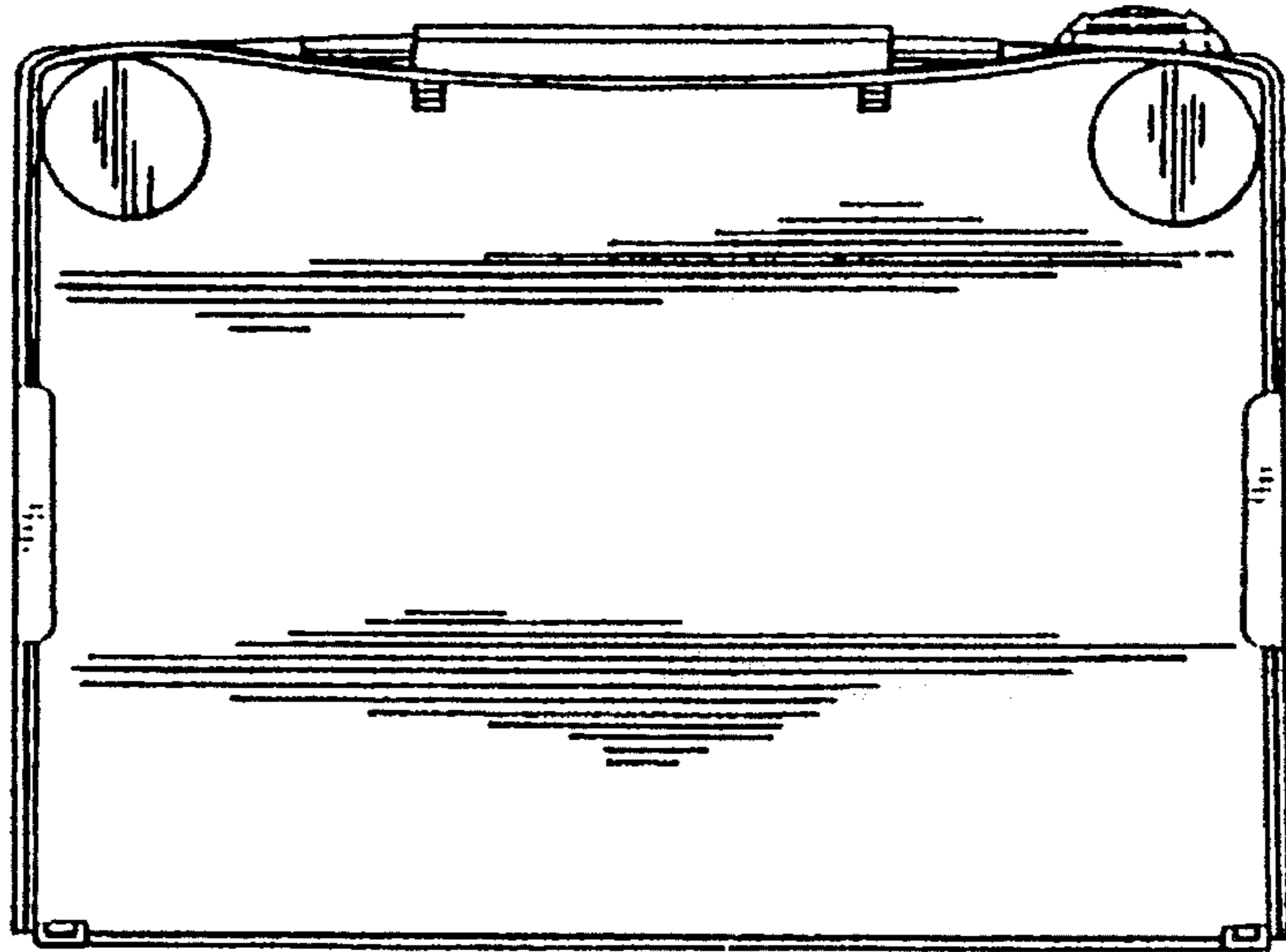


FIG. 16

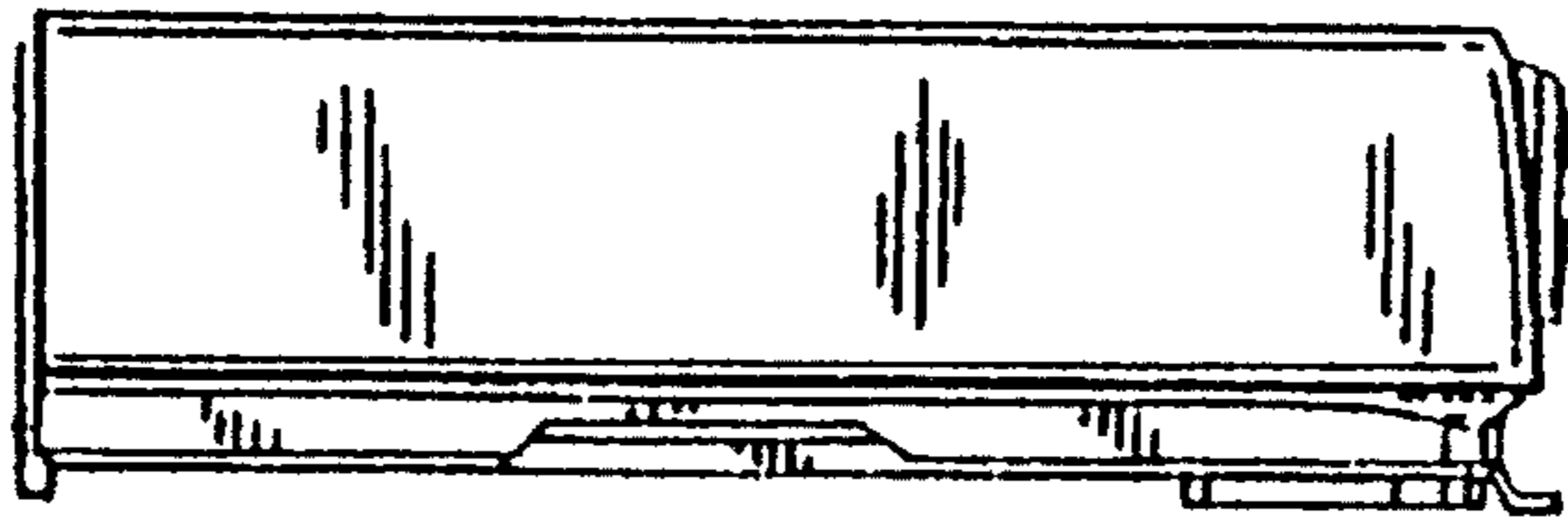


FIG. 17

