



US00D372709S

United States Patent [19]

Sanchez et al.

[11] Patent Number: **Des. 372,709**

[45] Date of Patent: ****Aug. 13, 1996**

[54] **BASE FOR A COMPUTER INPUT DEVICE**

5,389,950 2/1995 Bouton 345/156

[75] Inventors: **Russell Sanchez; Christopher Alviar**,
both of Seattle, Wash.

[73] Assignee: **Microsoft Corporation**, Redmond,
Wash.

[**] Term: **14 Years**

[21] Appl. No.: **42,464**

[22] Filed: **Aug. 10, 1995**

[52] U.S. Cl. **D14/114**

[58] **Field of Search** D14/100, 114;
D13/158; D21/48; 178/18-9; 200/5 R, 5 A,
6 R, 6 A; 213/148 B; 273/148 B, 438;
345/156-67; 74/471; D34/35

[56] **References Cited**

U.S. PATENT DOCUMENTS

D. 297,952	10/1988	Ishiwata	D21/148
D. 305,756	1/1990	Parker et al.	D14/114
D. 306,615	3/1990	Hayes	D21/48
D. 317,331	6/1991	Holloway	D21/48
D. 330,020	10/1992	Jung	D14/114
D. 330,371	10/1992	Tse	D14/114
D. 342,763	12/1993	Tse	D14/114 X
D. 347,028	5/1994	Galden	D21/48
D. 350,373	9/1994	Chow et al.	D21/48
D. 352,331	11/1994	Wu	D21/48
D. 352,739	11/1994	Ho	D21/48
D. 353,410	12/1994	Chan	D21/48
D. 354,092	1/1995	Ho	D21/48
D. 360,884	8/1995	Onuma et al.	D14/114
D. 362,244	9/1995	Takemasa	D14/114

OTHER PUBLICATIONS

Triax Controller, Triax Technologies, Product Announcement, Jan. 1994.

Phoenix Flight Control System, Advanced Gravis Computer Technology Ltd., Product Brochure, Aug. 1994.

Super Warrior Joystick, Quick Shot Patent Ltd., Product Brochure, Jun. 1994.

WingMan Extreme Joystick, Logitech International, Product Announcement, Aug. 1994.

"They're Not Just For Mice Anymore," *PC Gamer*, Oct. 1994.

Primary Examiner—M. H. Tung

Attorney, Agent, or Firm—Seed and Berry LLP

[57] **CLAIM**

The ornamental design for a base for a computer input device, as shown and described.

DESCRIPTION

FIG. 1 is a rear isometric view of a base for a computer input device showing our new design;

FIG. 2 is a top plan view thereof;

FIG. 3 is a left side elevational view thereof;

FIG. 4 is a rear elevational view thereof;

FIG. 5 is a front isometric view thereof;

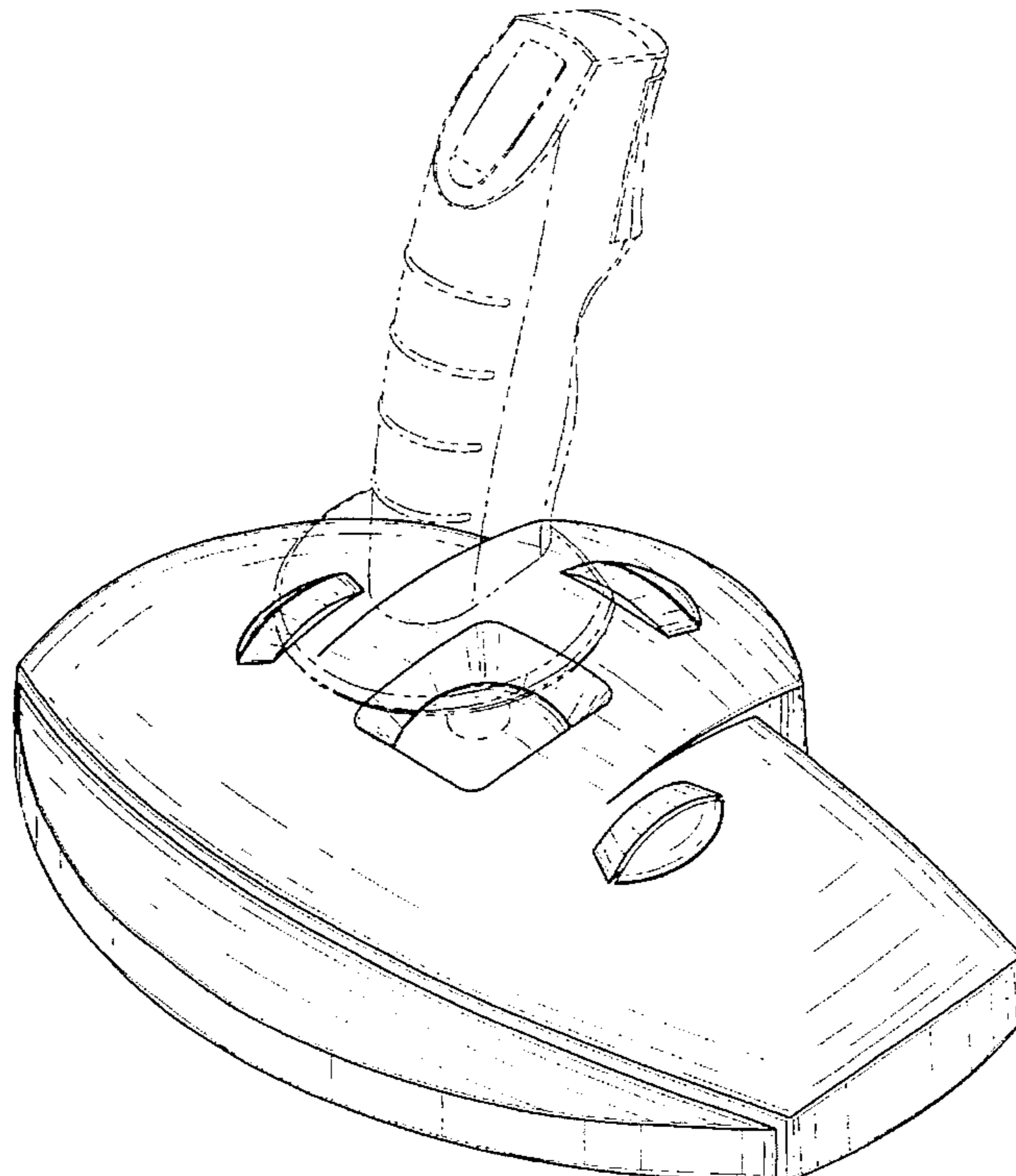
FIG. 6 is a bottom plan view thereof;

FIG. 7 is a right side elevational view thereof; and,

FIG. 8 is a front elevational view thereof.

The broken lines are for illustrative purposes only and form no part of the claimed design.

1 Claim, 4 Drawing Sheets



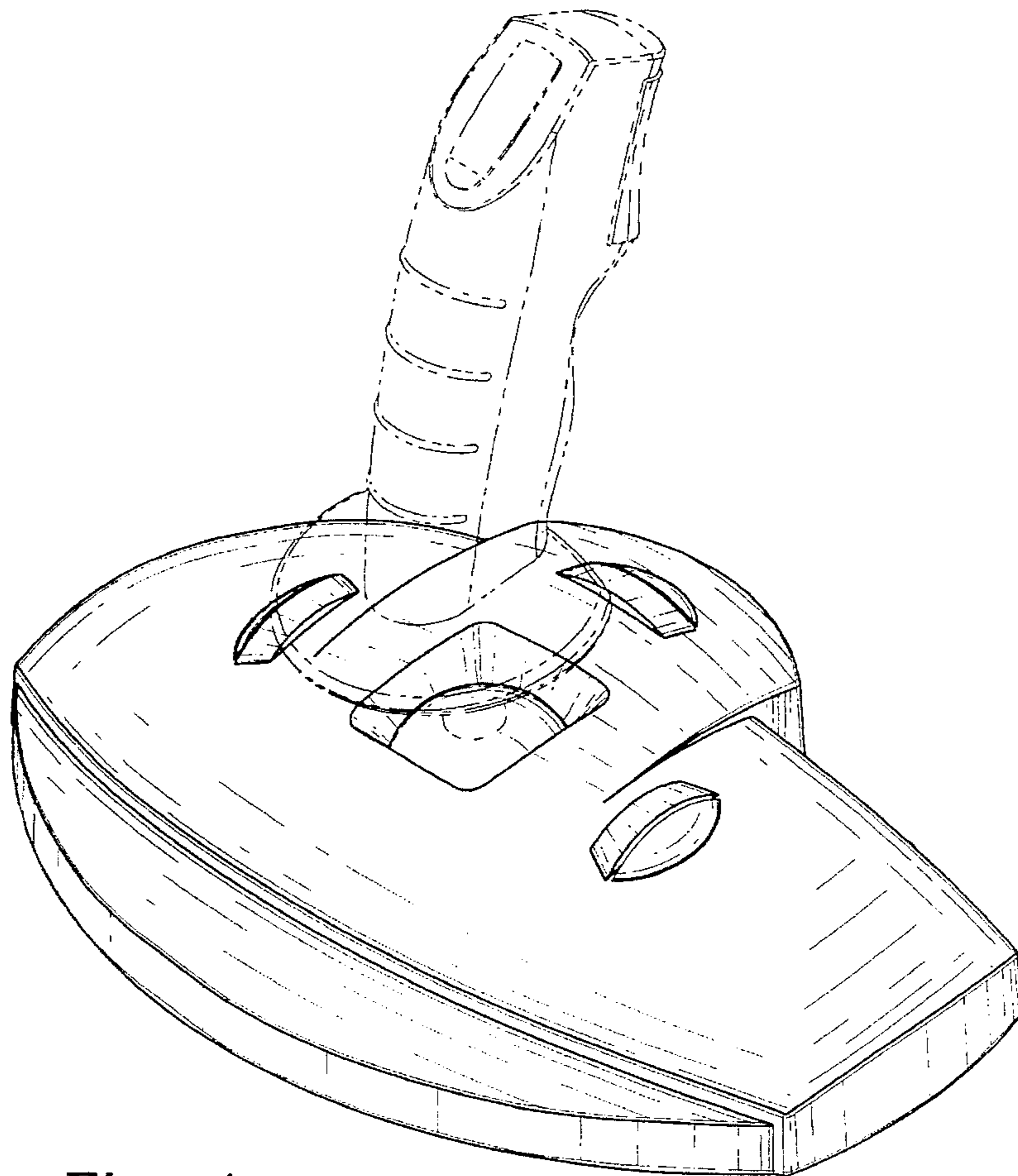


Fig. 1

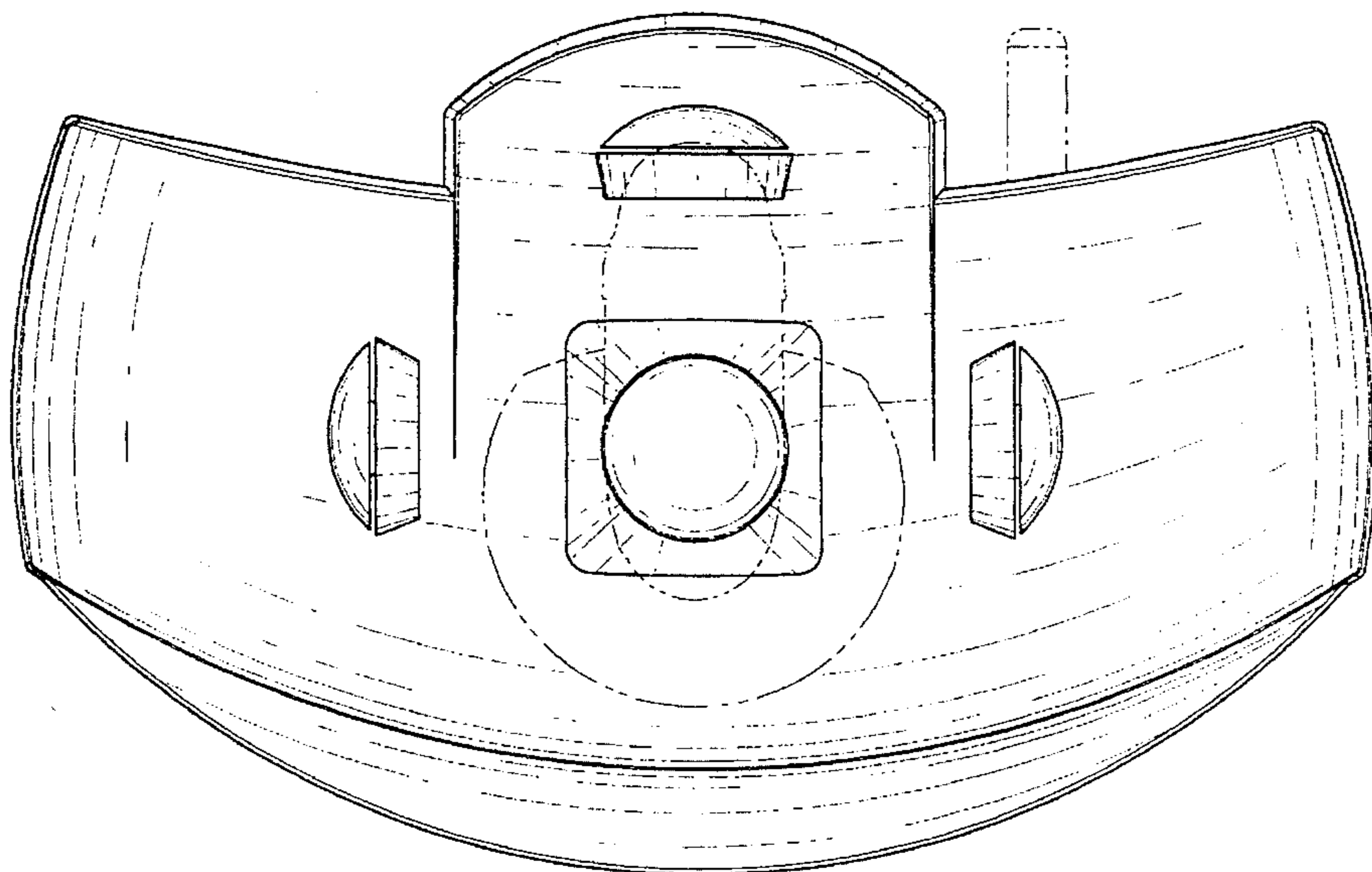


Fig. 2

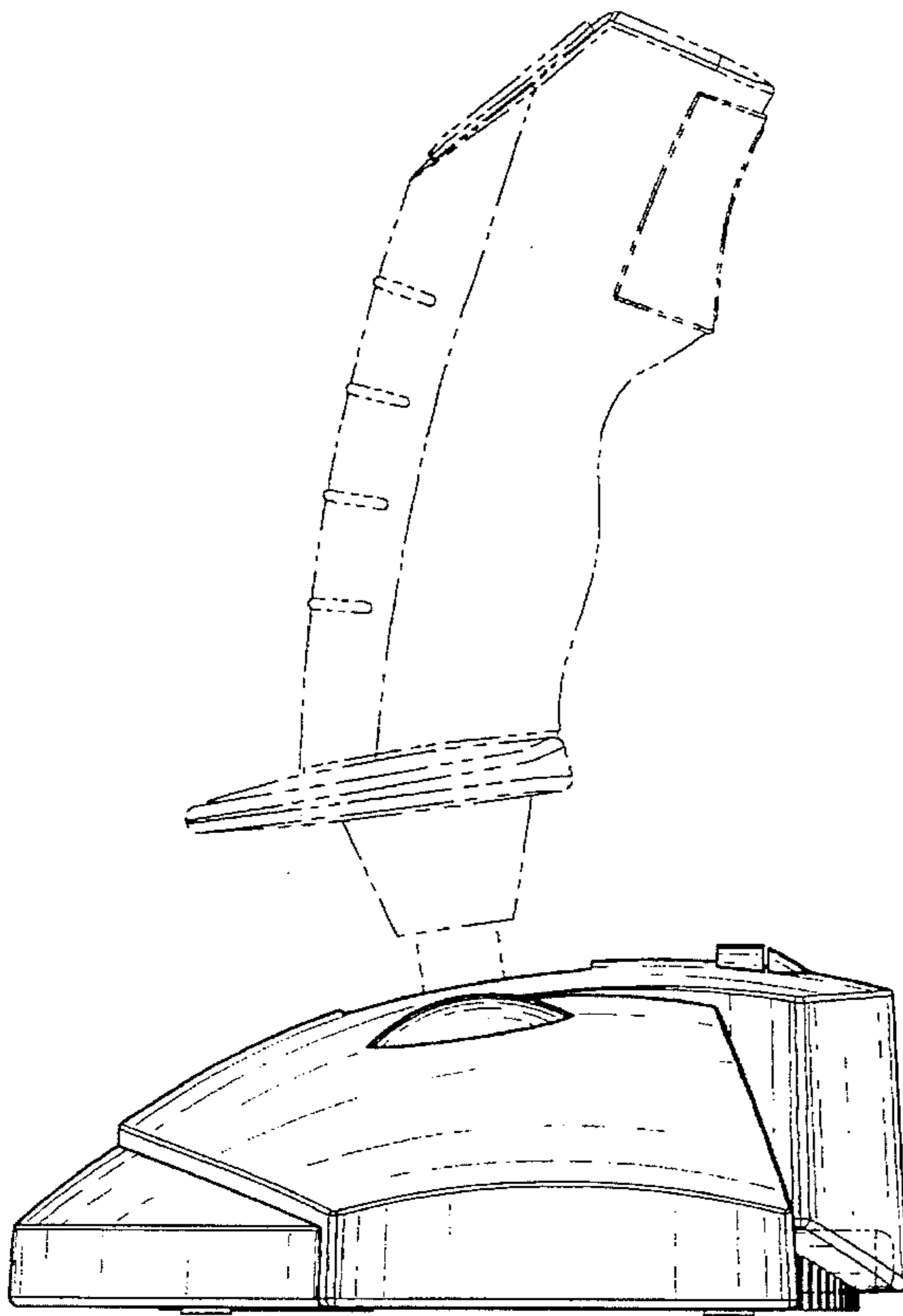


Fig. 3

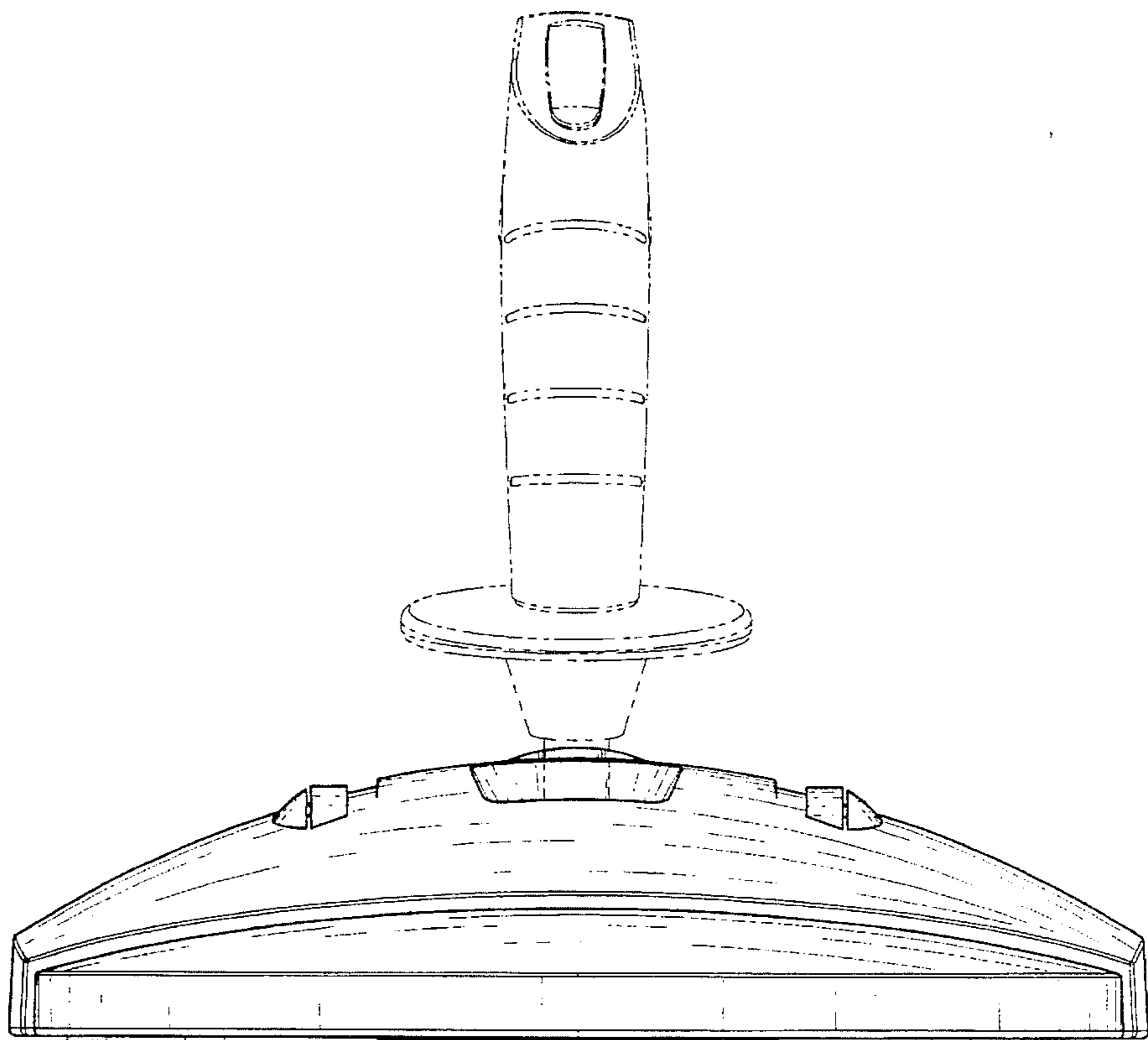


Fig. 4

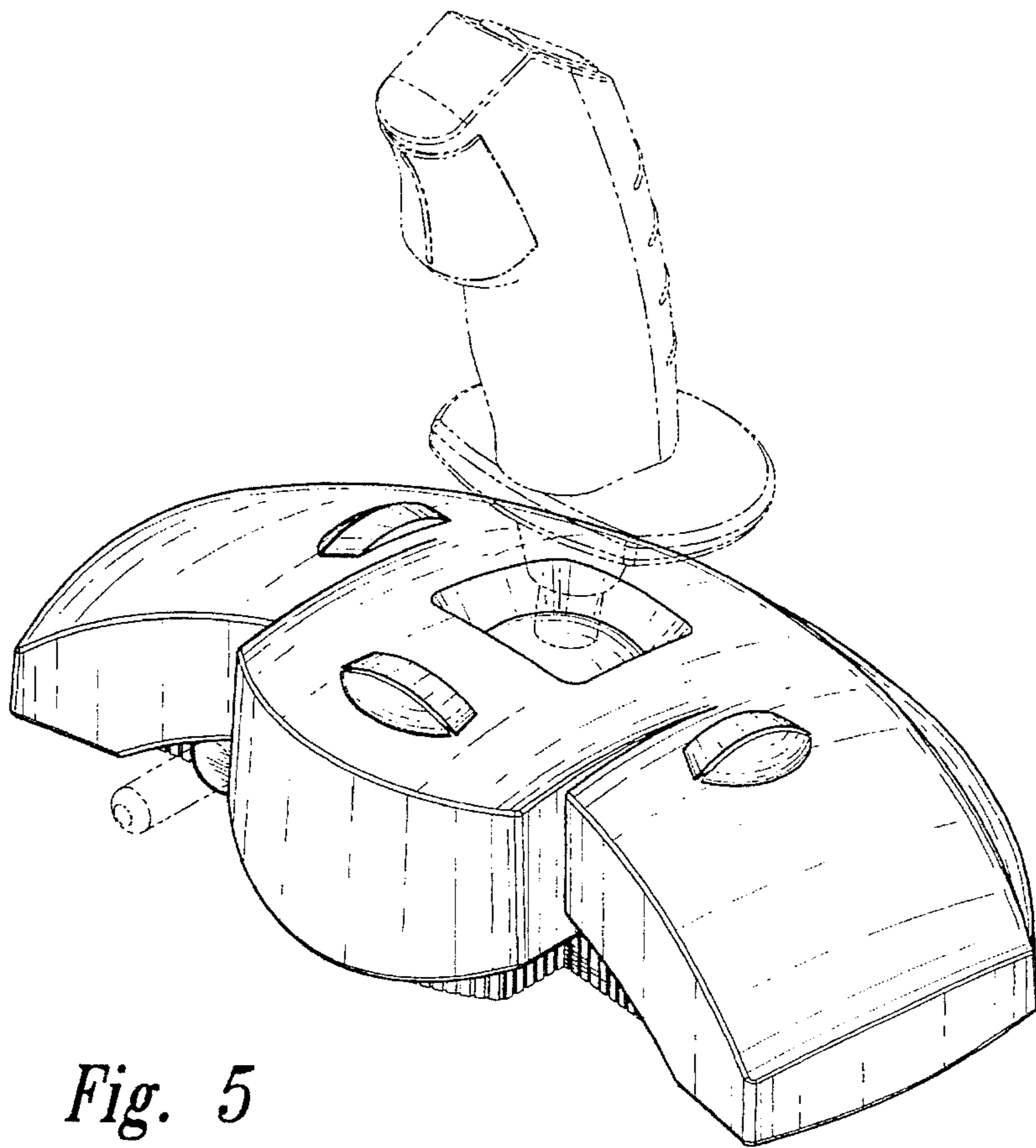


Fig. 5

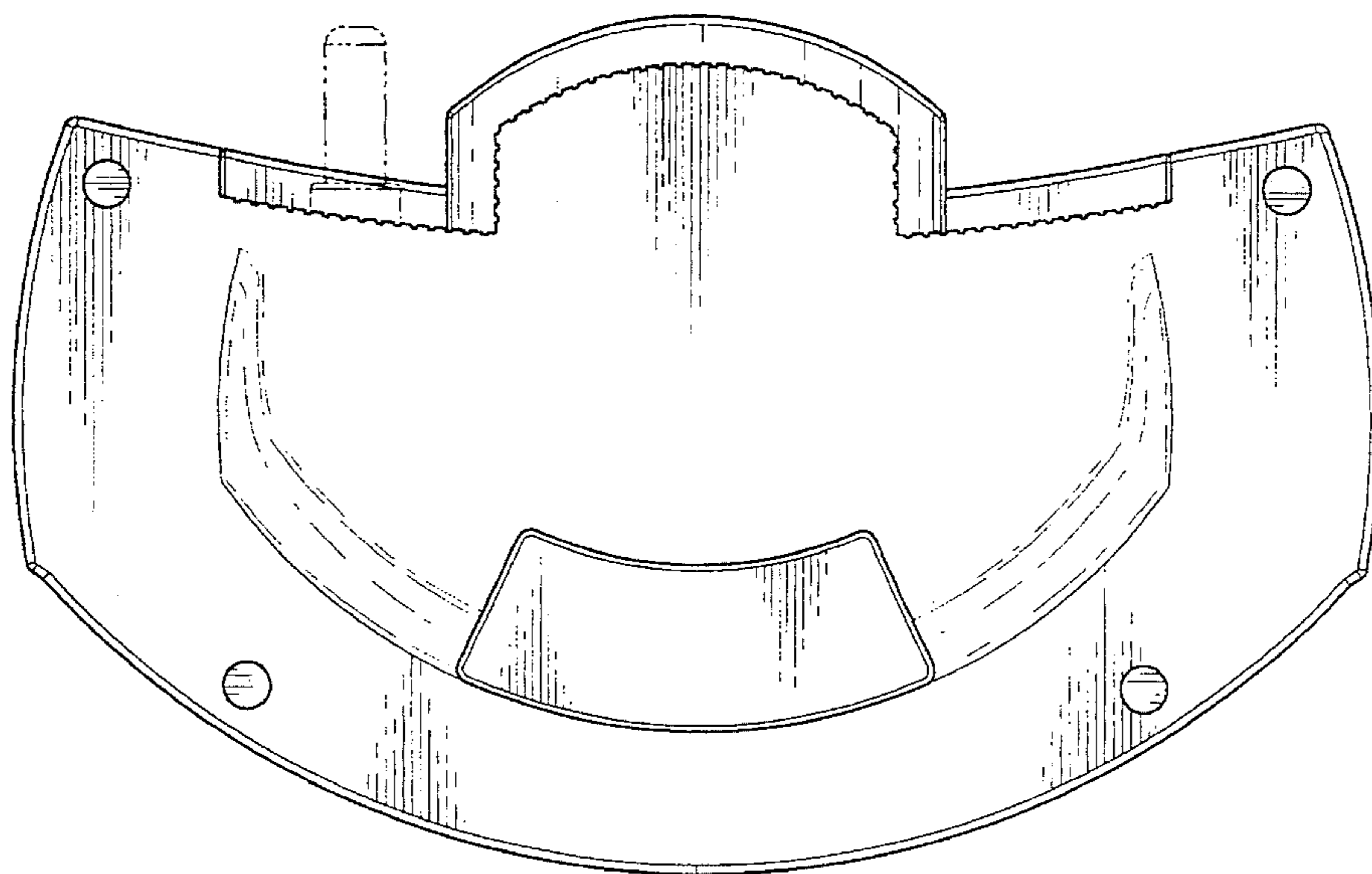


Fig. 6

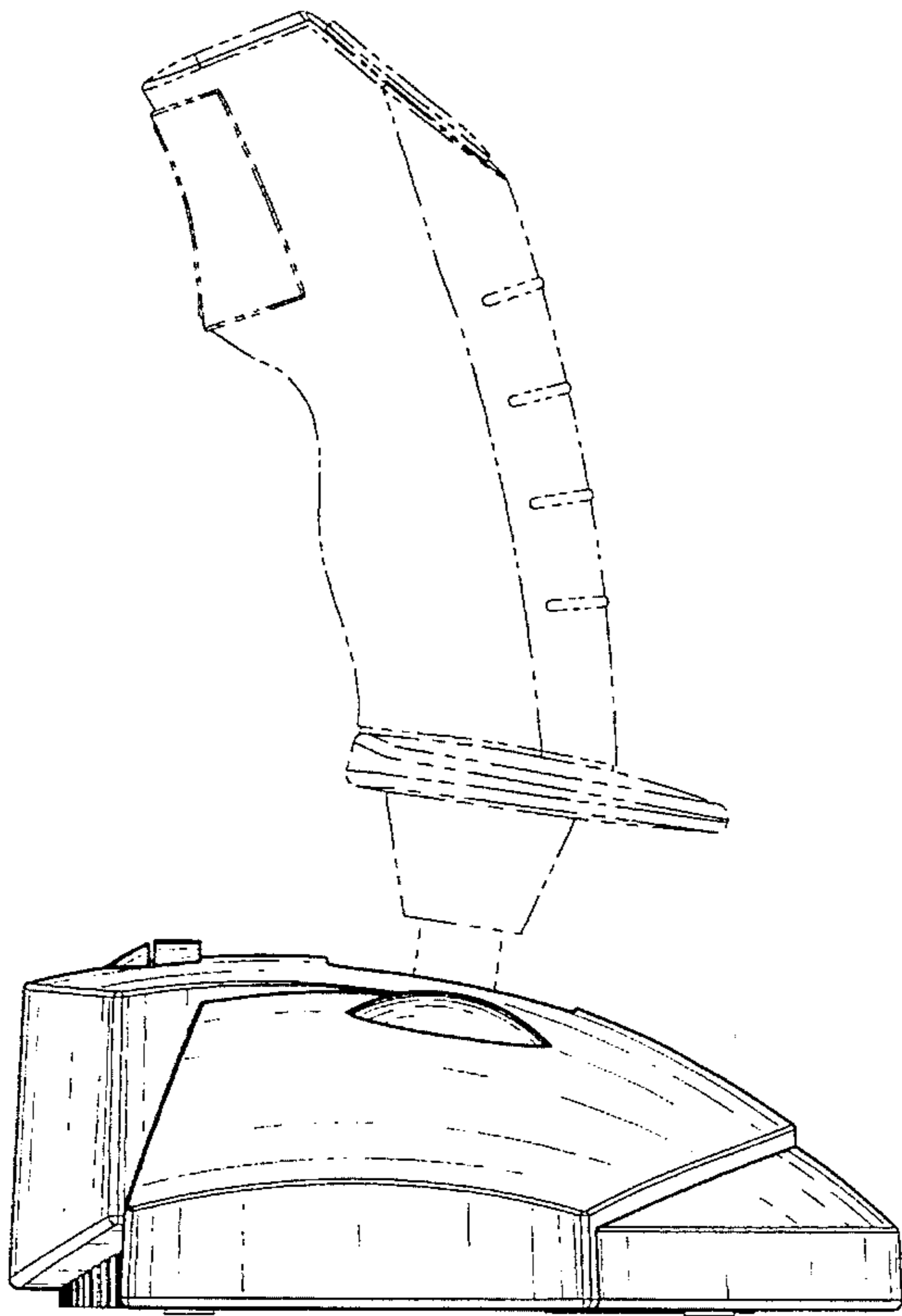


Fig. 7

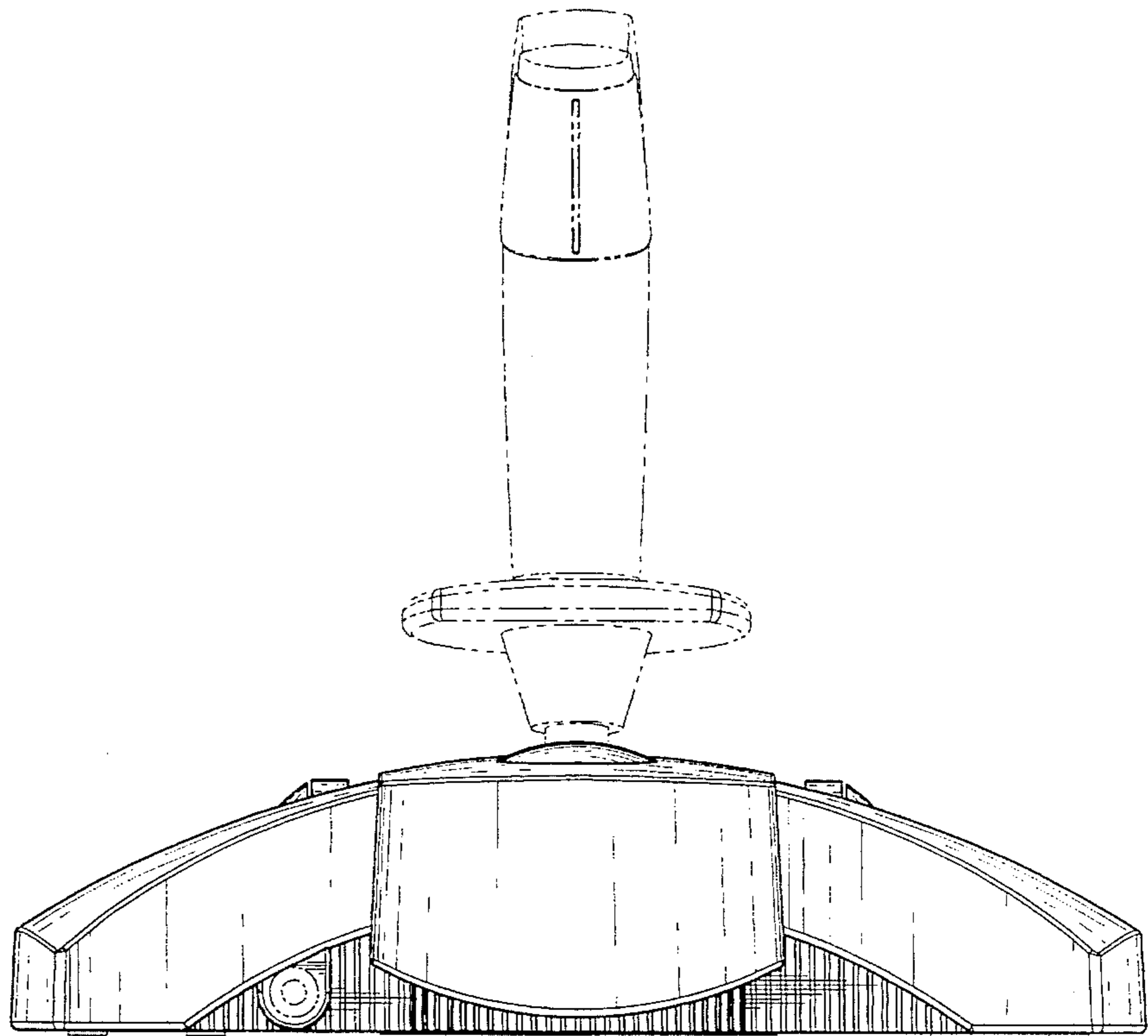


Fig. 8