



US00D372708S

United States Patent [19]
Hetherington

[11] **Patent Number: Des. 372,708**

[45] **Date of Patent: **Aug. 13, 1996**

[54] **COMPUTER ADAPTOR HOUSING**

[76] Inventor: **Michael H. Hetherington**, 2296
Williamston Rd., Williamston, Mich.
48895

[**] Term: **14 Years**

[21] Appl. No.: **35,770**

[22] Filed: **Mar. 6, 1995**

[52] U.S. Cl. **D14/114; D13/147**

[58] **Field of Search** D14/100, 114,
D14/107; D13/147, 133, 146; 361/683;
439/620, 638, 651, 347, 357; 248/454,
456

[56] **References Cited**

U.S. PATENT DOCUMENTS

D. 359,027 6/1995 Willhite D13/147

D. 359,724 6/1995 Baginy D13/147
5,387,131 2/1995 Foreman et al. 439/620
5,486,117 1/1996 Chang 439/357

Primary Examiner—Freda Nunn
Attorney, Agent, or Firm—Ian C. McLeod; Mary M. Moyne

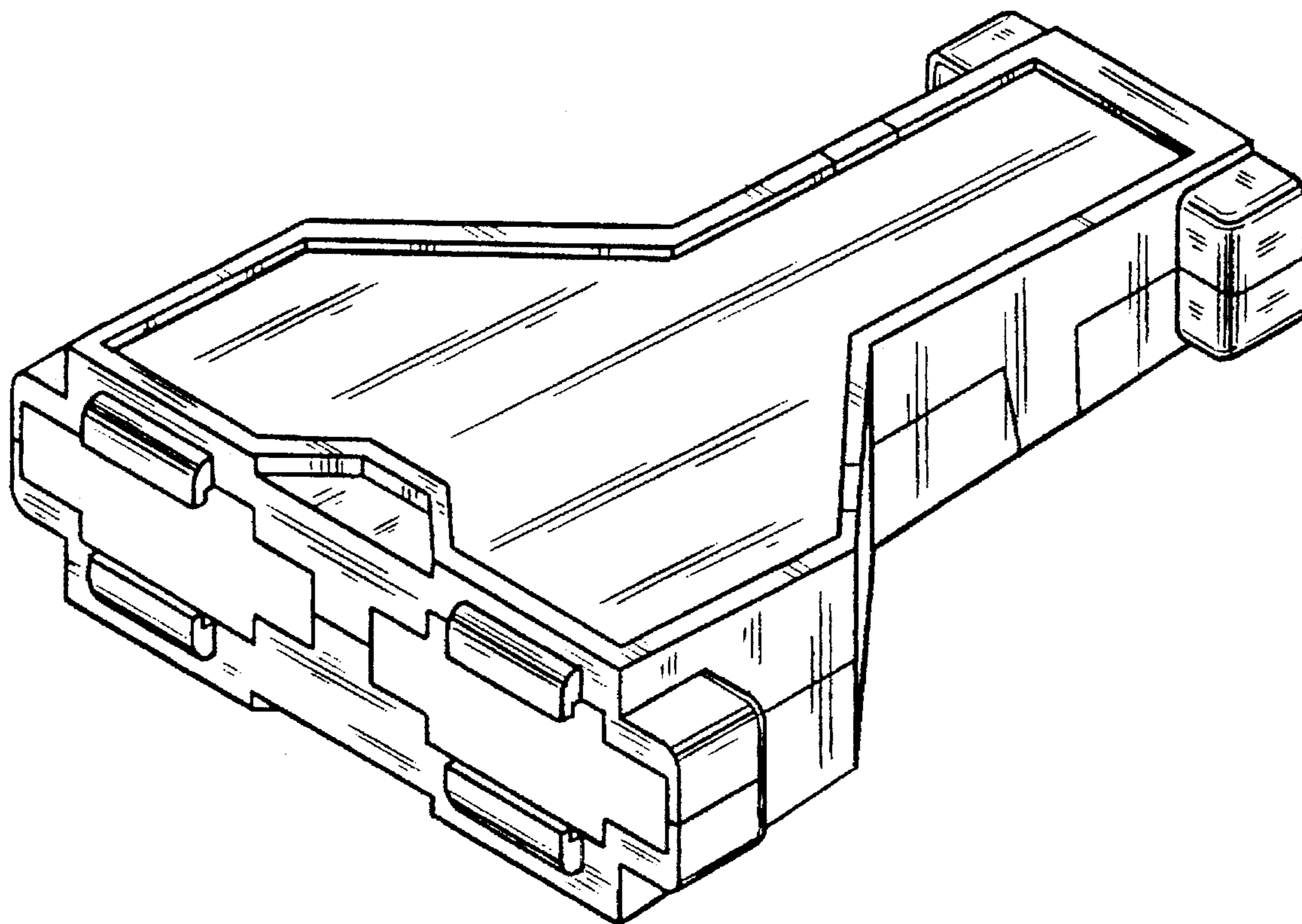
[57] **CLAIM**

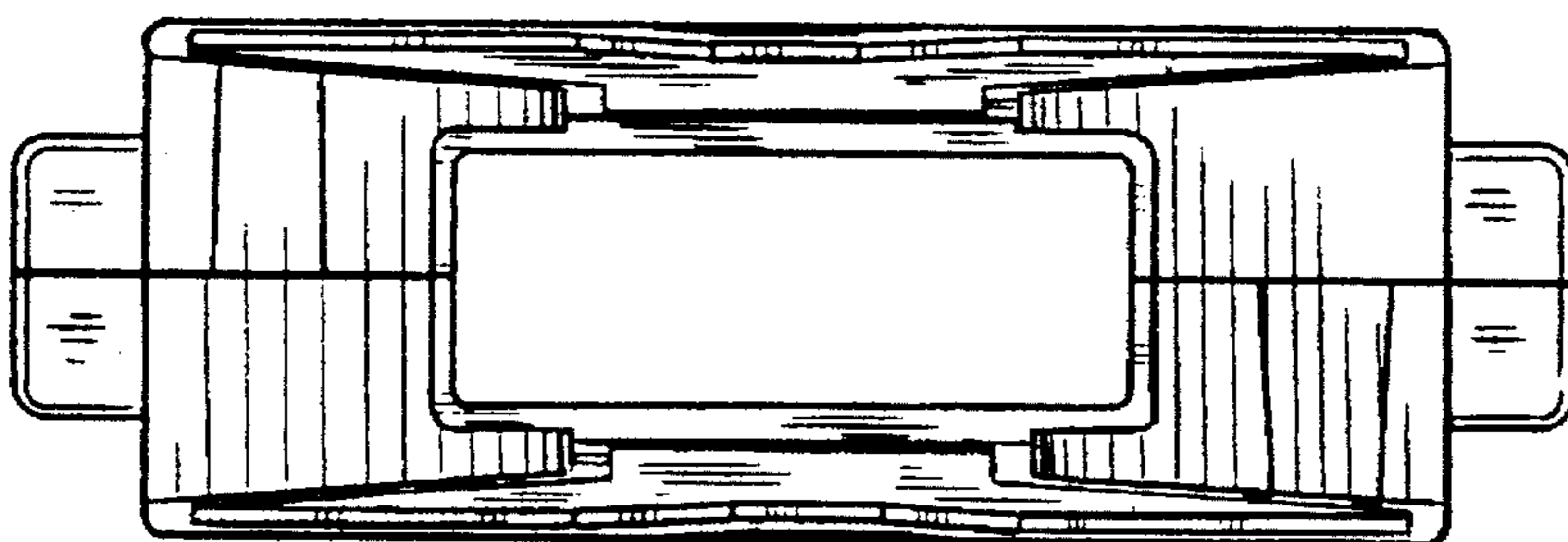
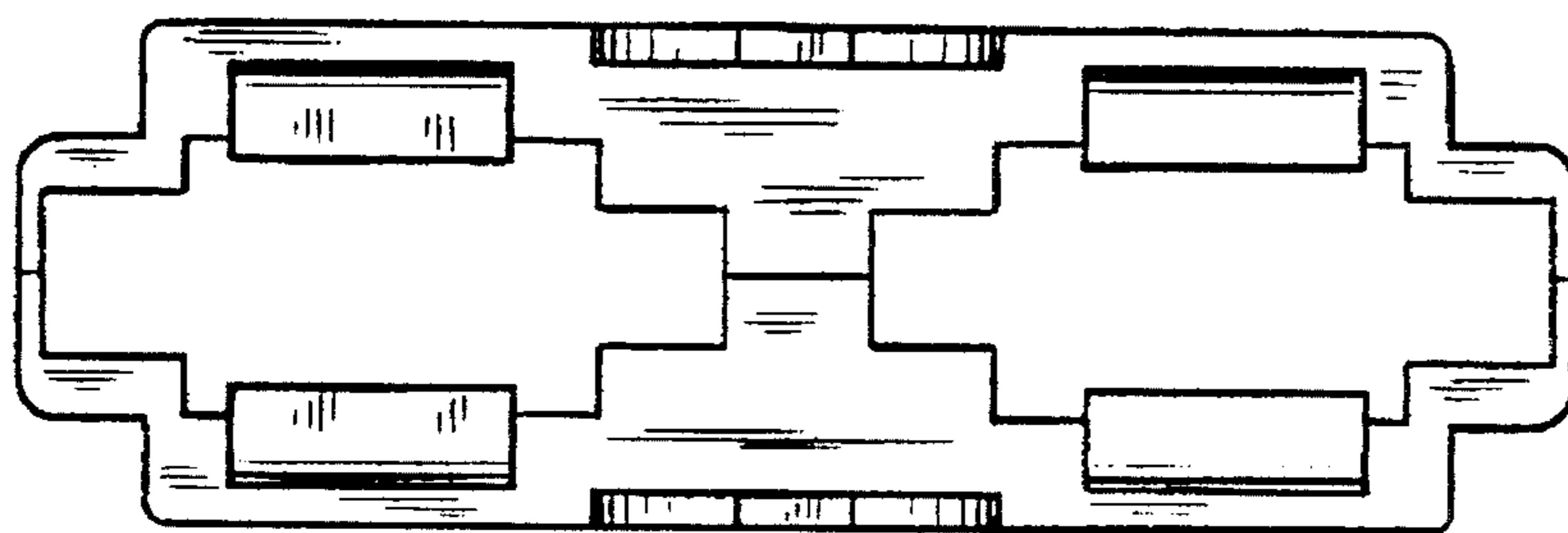
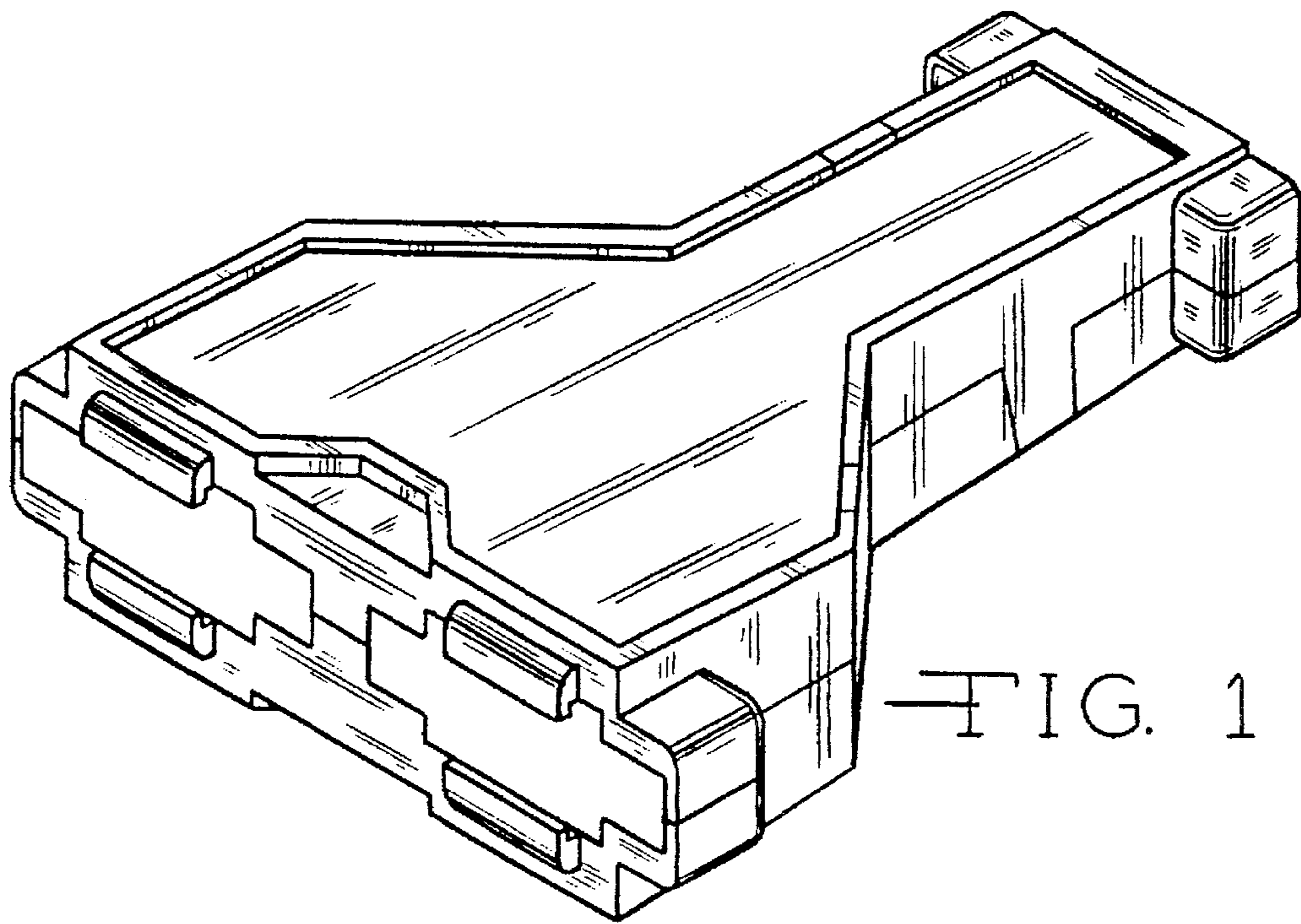
The ornamental design for a computer adaptor housing, as shown and described.

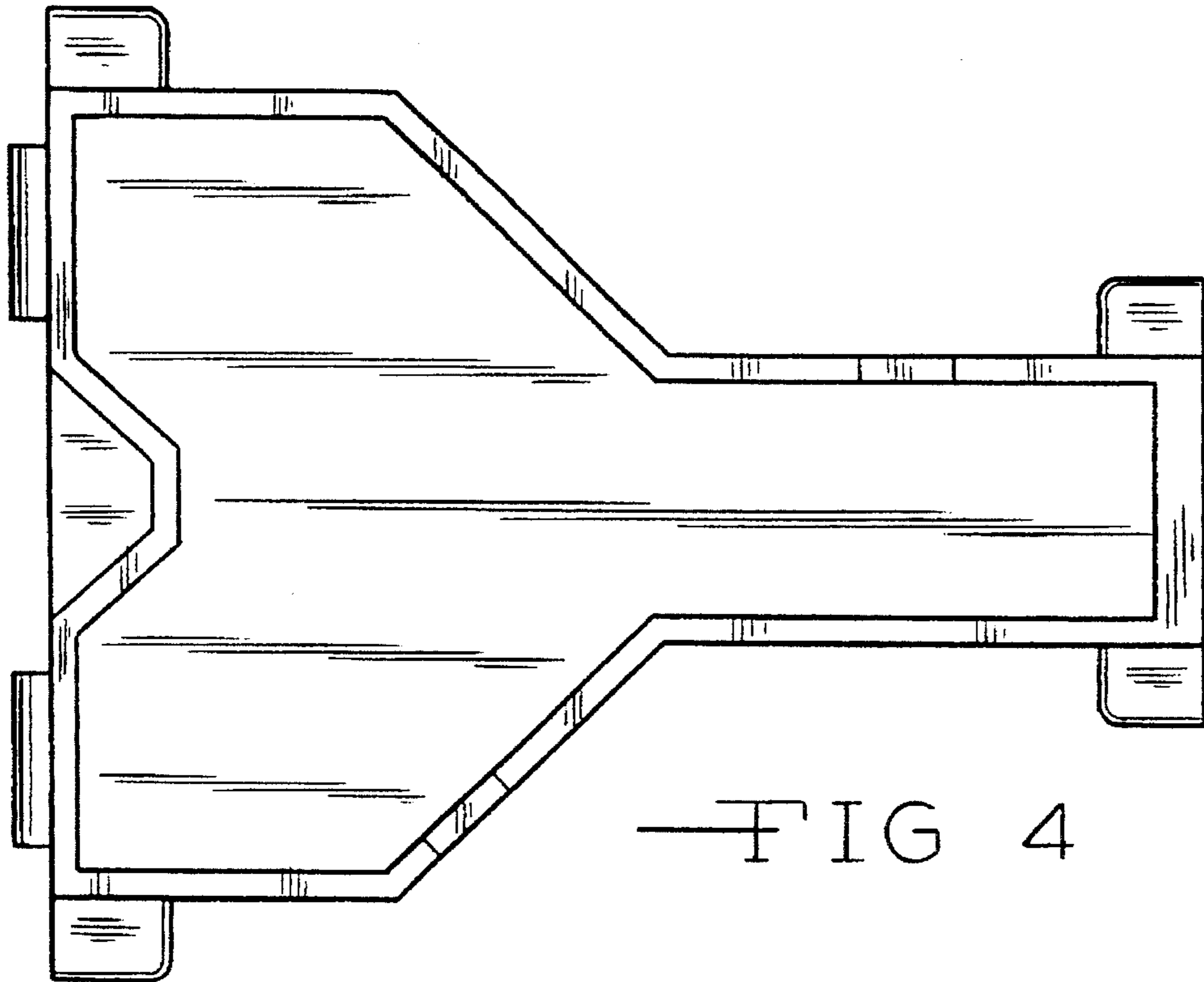
DESCRIPTION

FIG. 1 is a perspective view of a computer adaptor housing showing my new design;
FIG. 2 is a rear elevational view thereof;
FIG. 3 is a front elevational view thereof;
FIG. 4 is a top plan view thereof, the bottom being identical thereto;
FIG. 5 is a right side elevational view thereof; and,
FIG. 6 is a left side elevational view thereof.

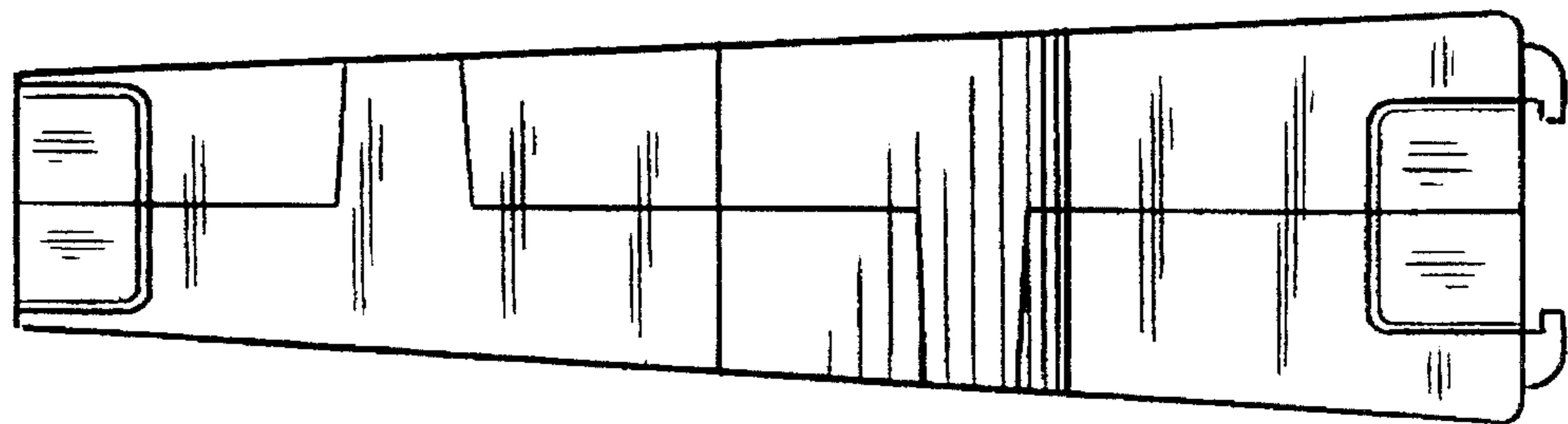
1 Claim, 2 Drawing Sheets



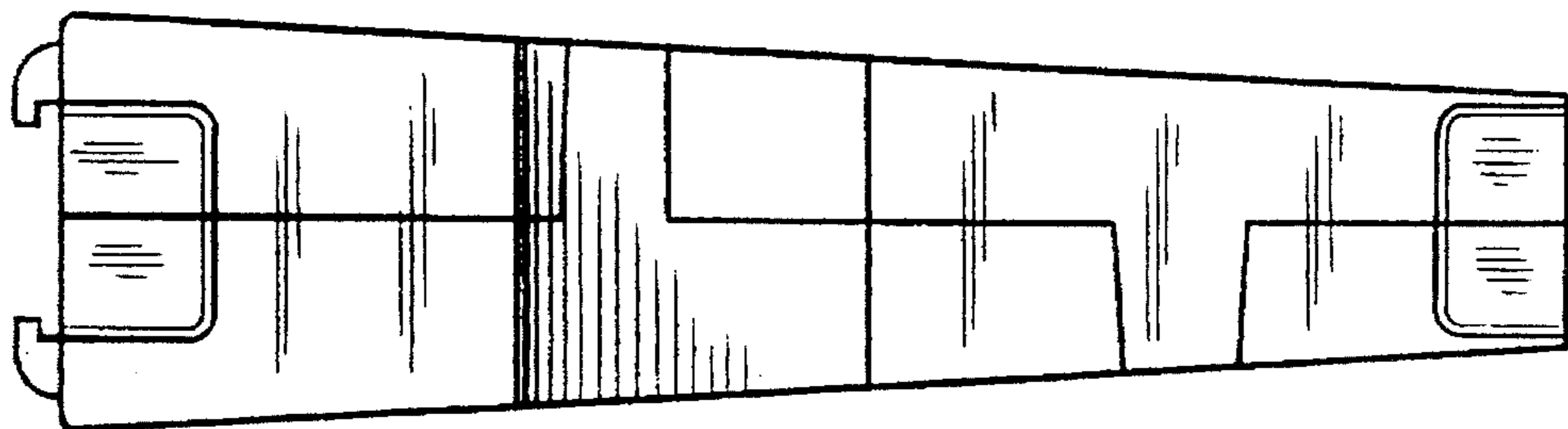




—FIG 4



—FIG. 5



—FIG. 6