



US00D372705S

United States Patent [19]

[11] Patent Number: **Des. 372,705**

Lynch et al.

[45] Date of Patent: ****Aug. 13, 1996**

[54] **COMBINED COMPUTER MONITOR AND SUPPORT ARM**

[75] Inventors: **Robert C. Lynch**, Cary; **Kevin H. Myers**, Durham; **Ronald A. Smith**, Apex; **William L. Talley**, Raleigh, all of N.C.; **Edward R. Veals**, Pawleys Island, S.C.

[73] Assignee: **International Business Machines Corporation**, Armonk, N.Y.

[**] Term: **14 Years**

[21] Appl. No.: **39,547**

[22] Filed: **May 30, 1995**

Related U.S. Application Data

[63] Continuation of Ser. No. 8,863, May 27, 1993.

[52] U.S. Cl. **D14/113**

[58] Field of Search D14/100, 114, D14/107, 113; D6/449, 491, 445, 396, 512; 248/125, 127, 133, 178-9, 183, 188.1, 188.2, 346, 371, 395, 917-24; 200/5 R, 5 A, 6 R, 6 A; 361/680-6, 679; D13/184, 199

[56] References Cited

U.S. PATENT DOCUMENTS

D. 311,829 11/1990 Vossonghi D6/511 X

D. 313,228	12/1990	Suyama et al.	D14/113
D. 314,563	2/1991	Mauner et al.	D14/113
D. 323,323	1/1992	Klaebel	D14/114
D. 331,921	12/1992	Gutke et al.	D14/114
D. 336,645	6/1993	Saito et al.	D14/113 X
D. 342,173	12/1993	Kirchner et al.	D6/511
D. 347,841	6/1994	Rossmann et al.	D14/114
4,687,167	8/1987	Skalka et al.	248/921 X

Primary Examiner—M. H. Tung
Attorney, Agent, or Firm—Joscelyn G. Cockburn

[57] CLAIM

The ornamental design for a combined computer monitor and support arm, as shown and described.

DESCRIPTION

FIG. 1 is a front, top and left side perspective view of a combined computer monitor and support arm, on a reduced scale;

FIG. 2 is a front elevational view thereof;

FIG. 3 is a rear elevational view thereof;

FIG. 4 is a right side elevational view thereof;

FIG. 5 is a left side elevational view thereof;

FIG. 6 is a top plan view thereof; and,

FIG. 7 is a bottom plan view thereof.

1 Claim, 7 Drawing Sheets

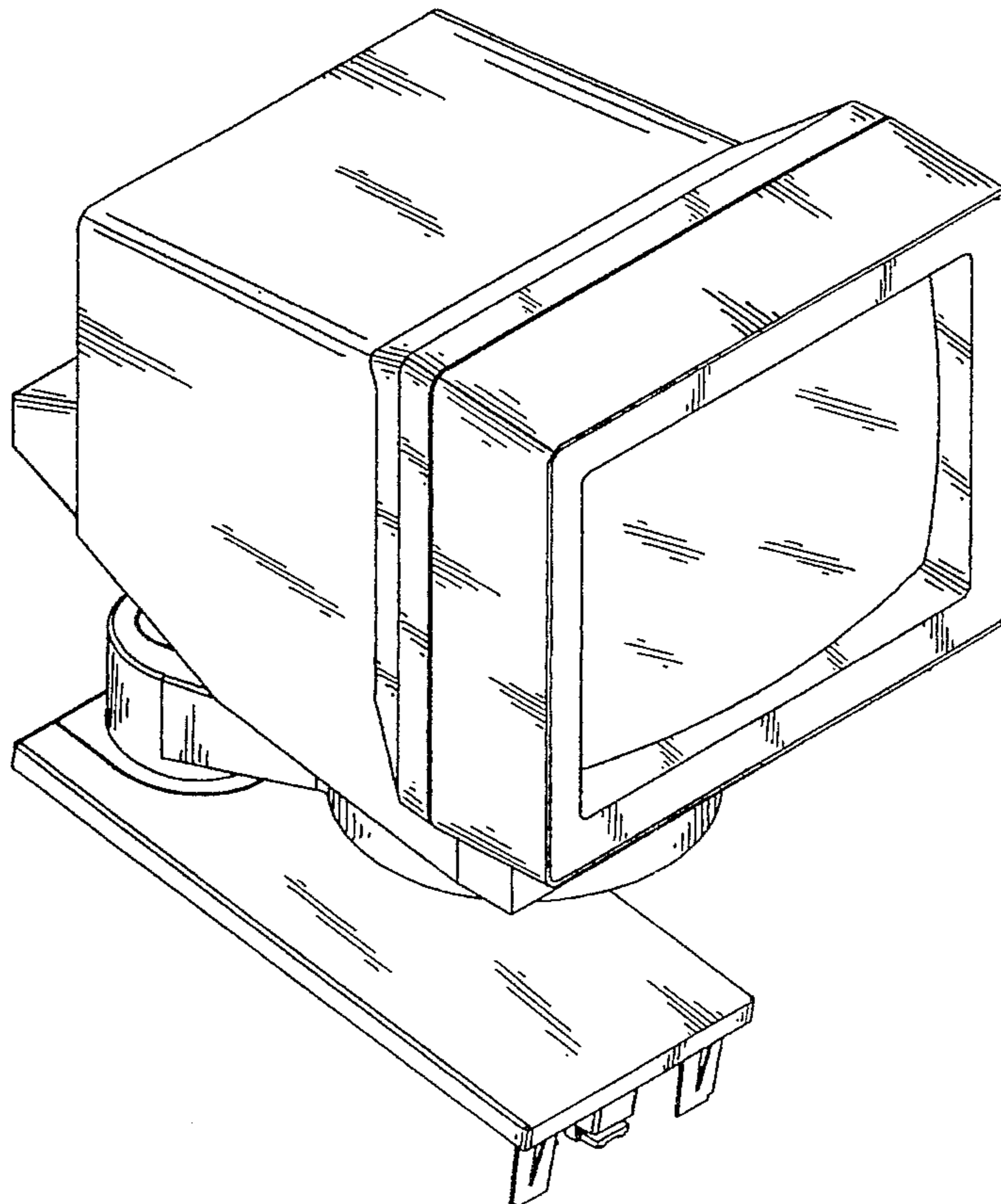


FIG. 1

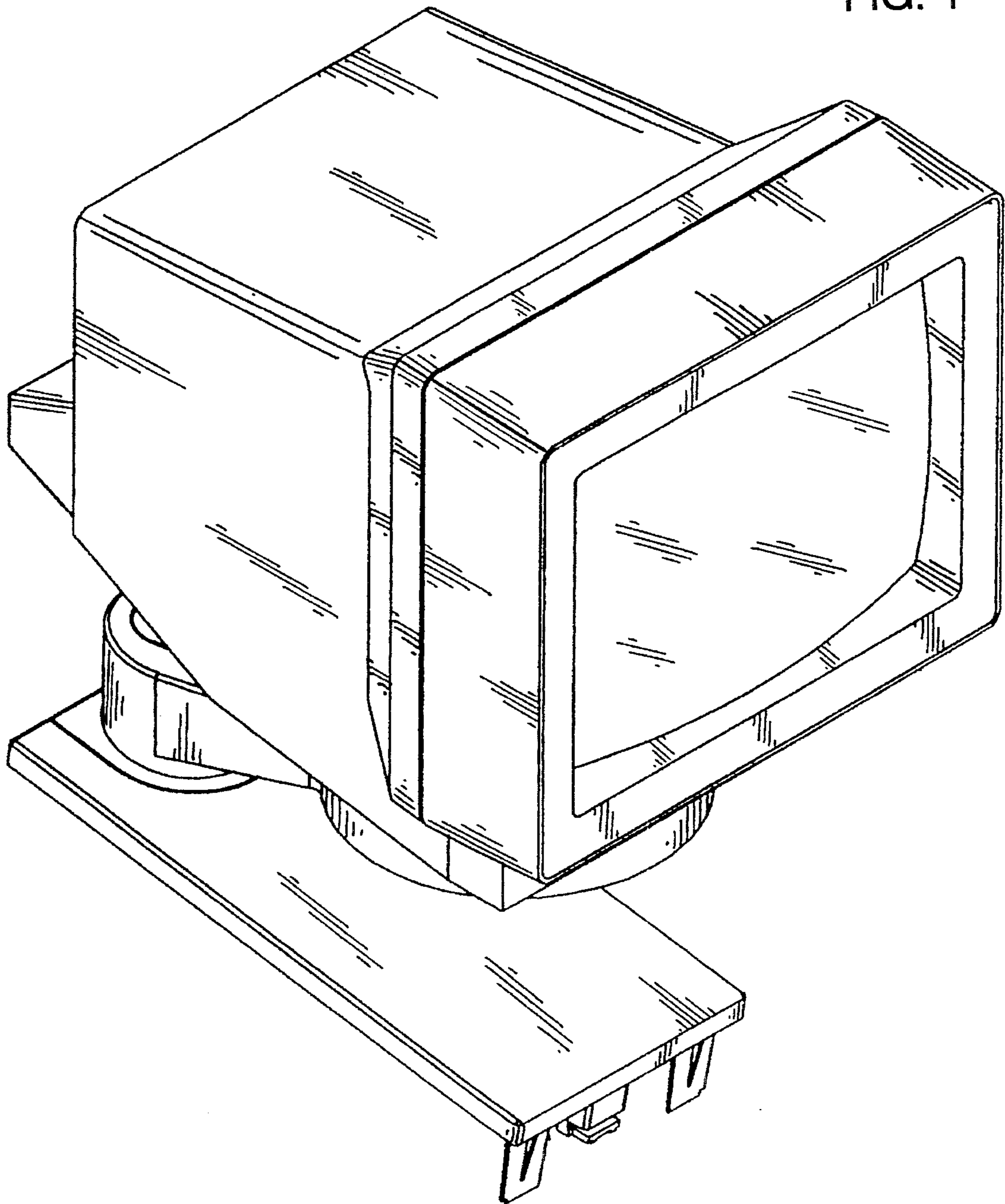


FIG. 2

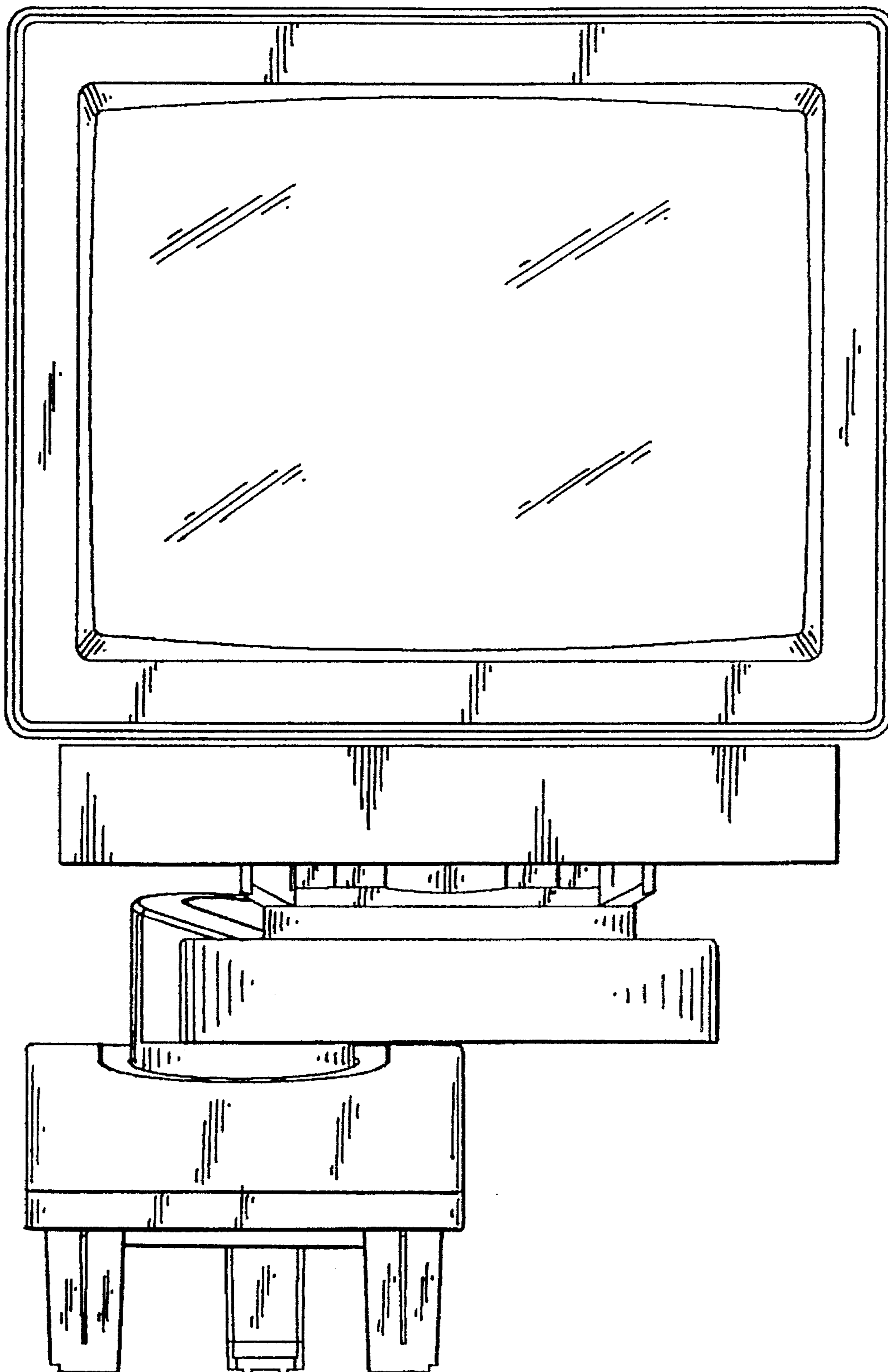


FIG. 3

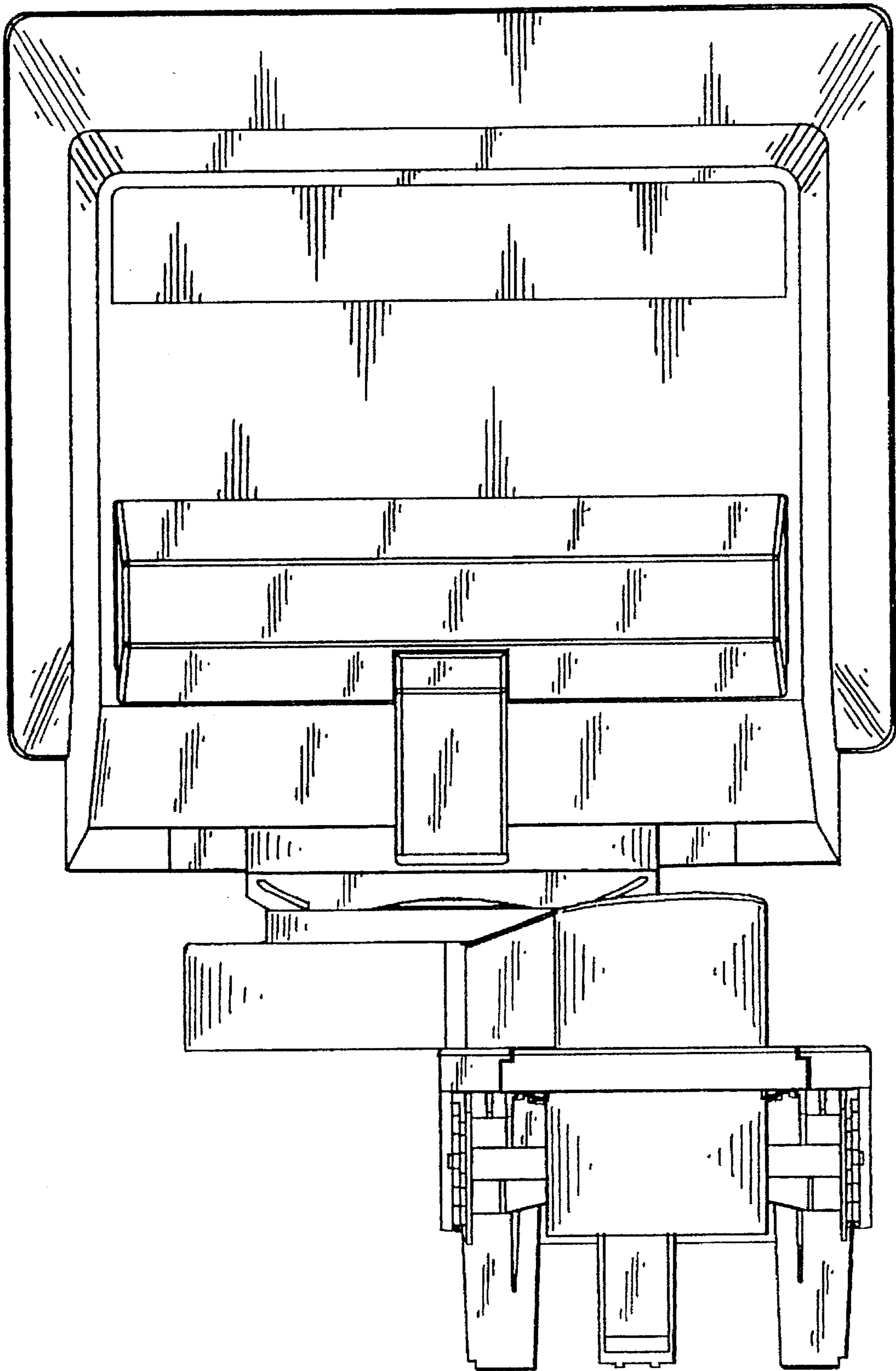


FIG. 4

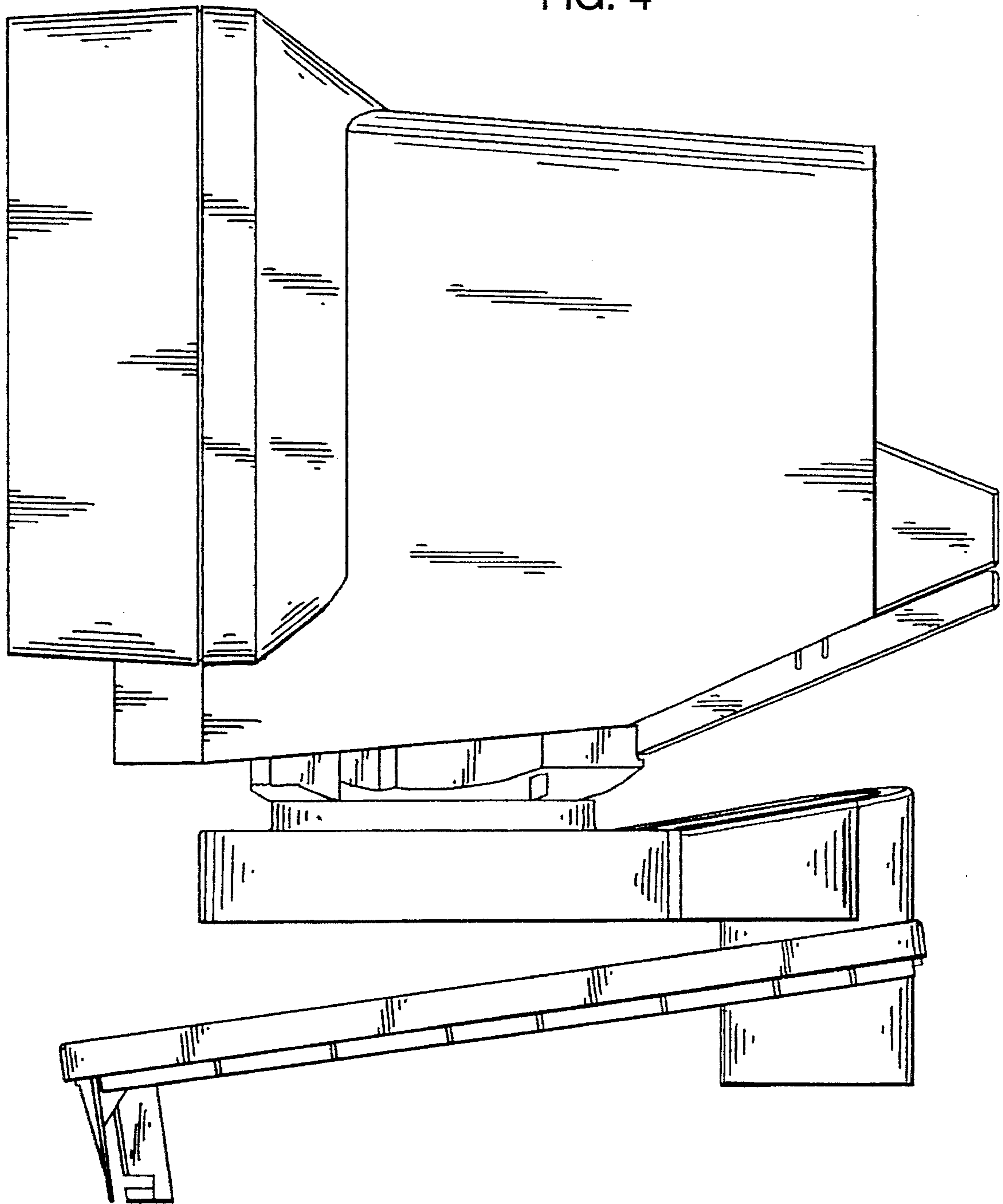


FIG. 5

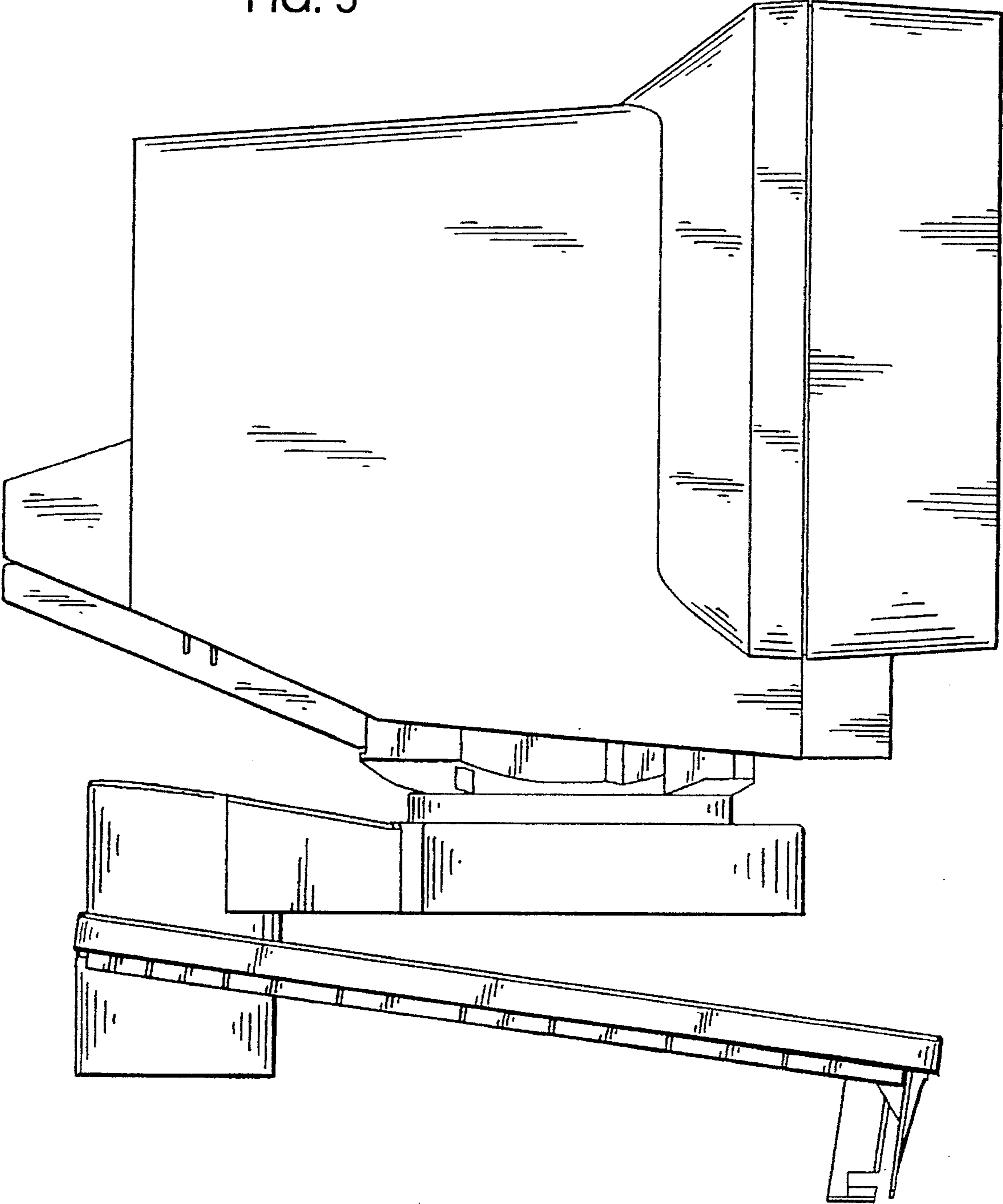


FIG. 6

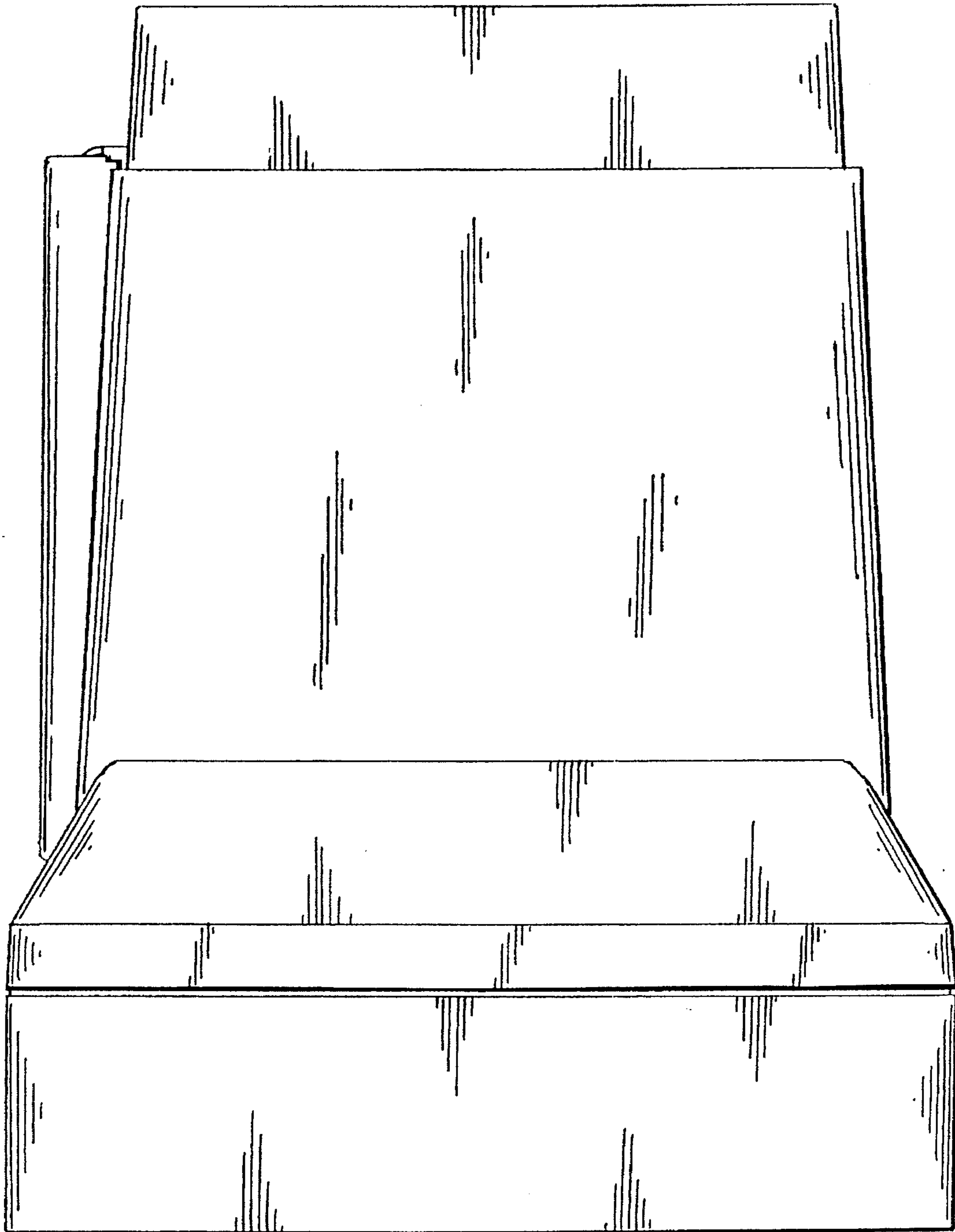


FIG. 7

