



US00D372702S

United States Patent [19]

[11] Patent Number: **Des. 372,702**

Sanner

[45] Date of Patent: ****Aug. 13, 1996**

[54] ELECTRICAL CORD SET WITH CONTINUITY POLARITY SAFETY SWITCH

[75] Inventor: **Dennis Sanner**, Indianapolis, Ind.

[73] Assignee: **Woods Industries, Inc.**, Carmel, Ind.

[**] Term: **14 Years**

[21] Appl. No.: **38,228**

[22] Filed: **May 1, 1995**

[52] U.S. Cl. **D13/142**

[58] Field of Search D13/137, 140, D13/142, 160; 439/650, 651, 652, 653

[56] References Cited

U.S. PATENT DOCUMENTS

5,443,400 8/1995 Brown et al. 439/650

Primary Examiner—Joel Sincavage

Attorney, Agent, or Firm—McAndrews, Held & Malloy, Ltd.

[57] CLAIM

The ornamental design for an electrical cord set with continuity polarity safety switch, as shown and described.

DESCRIPTION

FIG. 1 is a perspective view of an electrical cord set with

continuity polarity safety switch showing a display on the top of the female receptacle outlet housing, as according to the invention;

FIG. 2 is a front view of the electrical cord set outlet housing of FIG. 1, showing female receptacle outlets;

FIG. 3 is rear view of the electrical cord set outlet housing of FIG. 1, showing a strain relief for the cord;

FIG. 4 is an top view of the electrical cord set outlet housing of FIG. 1, showing a visual display window for circuit status indicators;

FIG. 5 is a side view of the electrical cord set outlet housing of FIG. 1, showing a protruding bar and ribs to elevate the outlet housing and female receptacles; and,

FIG. 6 is a bottom view of the electrical cord set outlet housing of FIG. 1, further showing the bar and ribs and a bottom platform.

The broken line showing is included for the purpose of illustrating environmental structure only and forms no part of the claimed design.

1 Claim, 2 Drawing Sheets

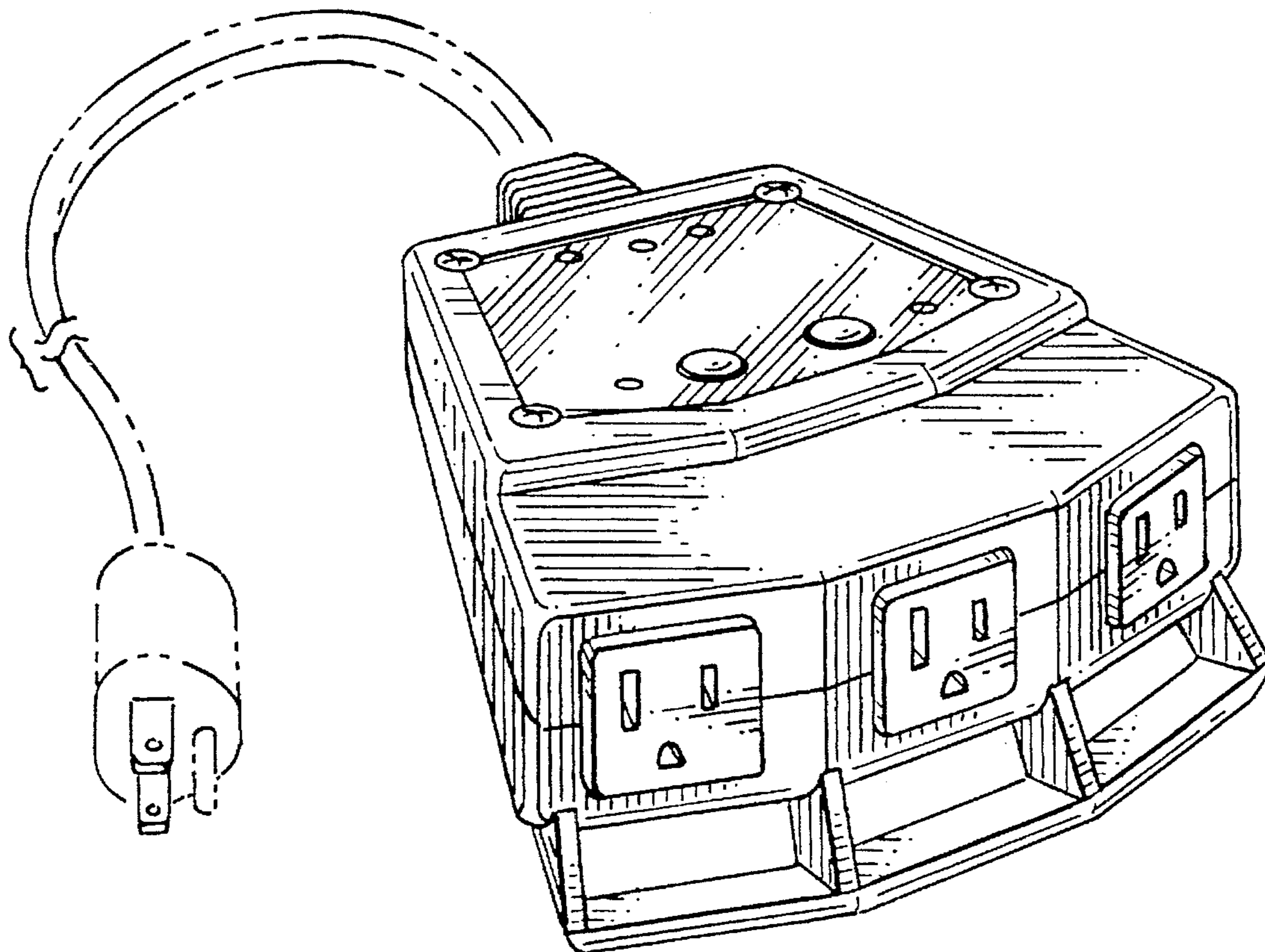


FIG. 1

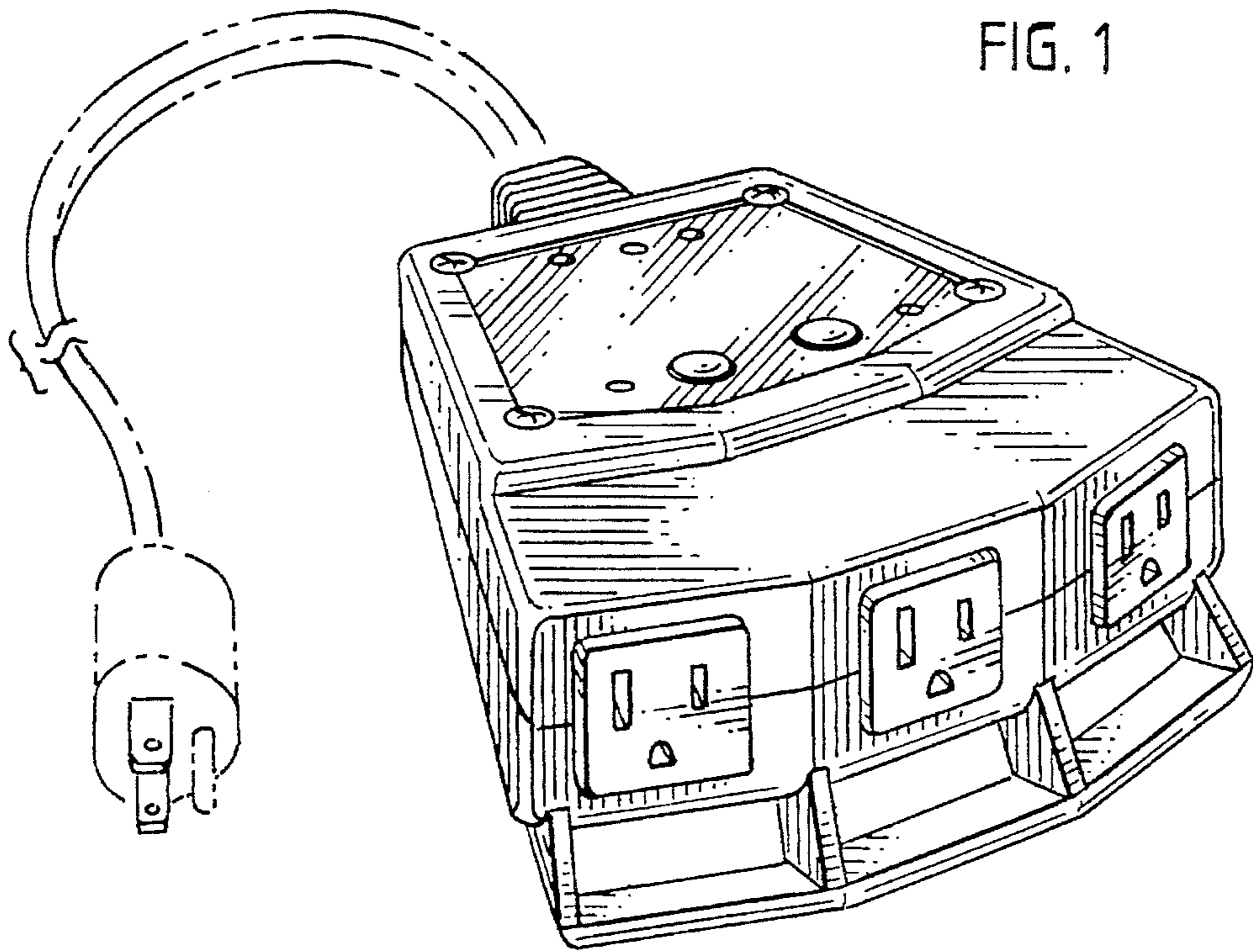


FIG. 2

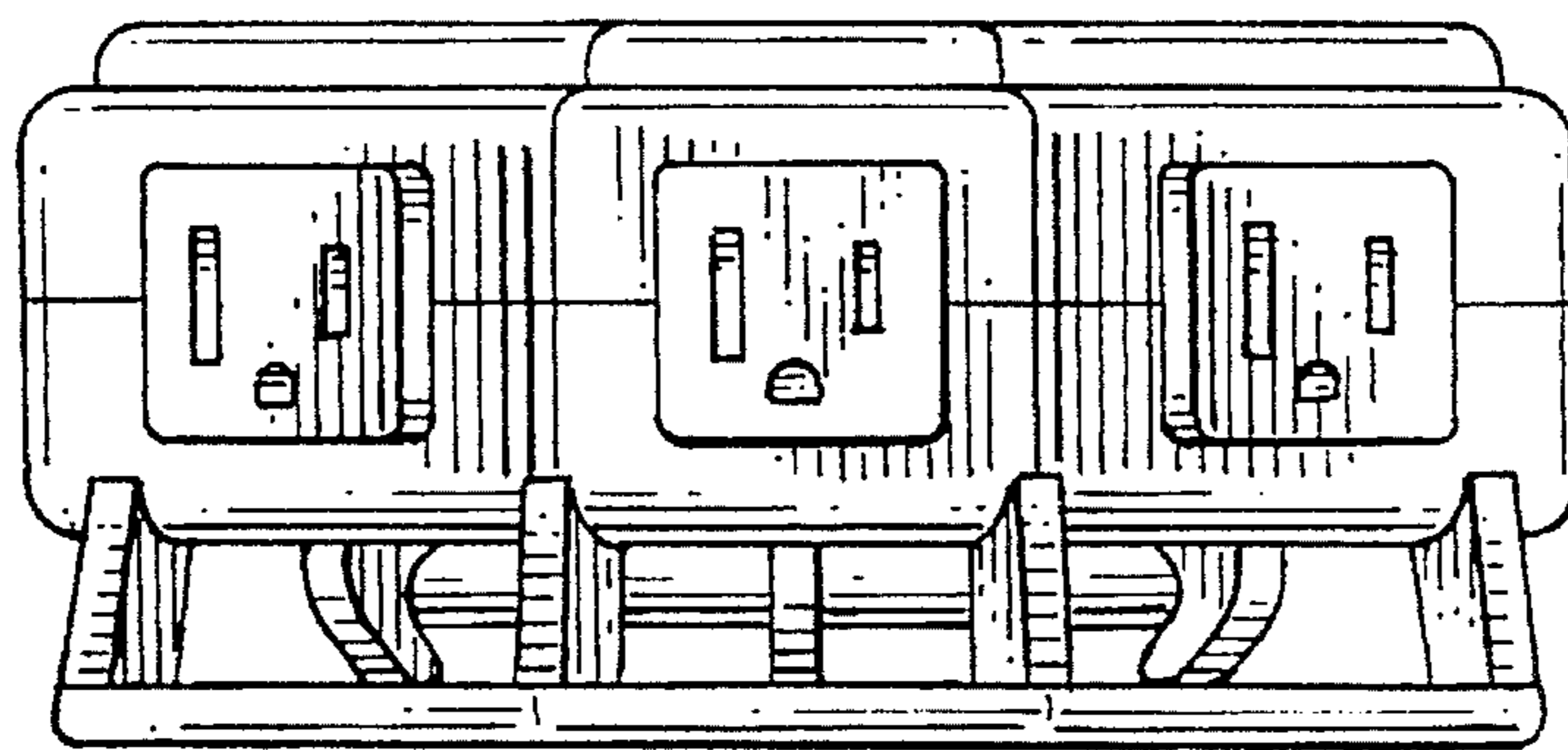


FIG. 3

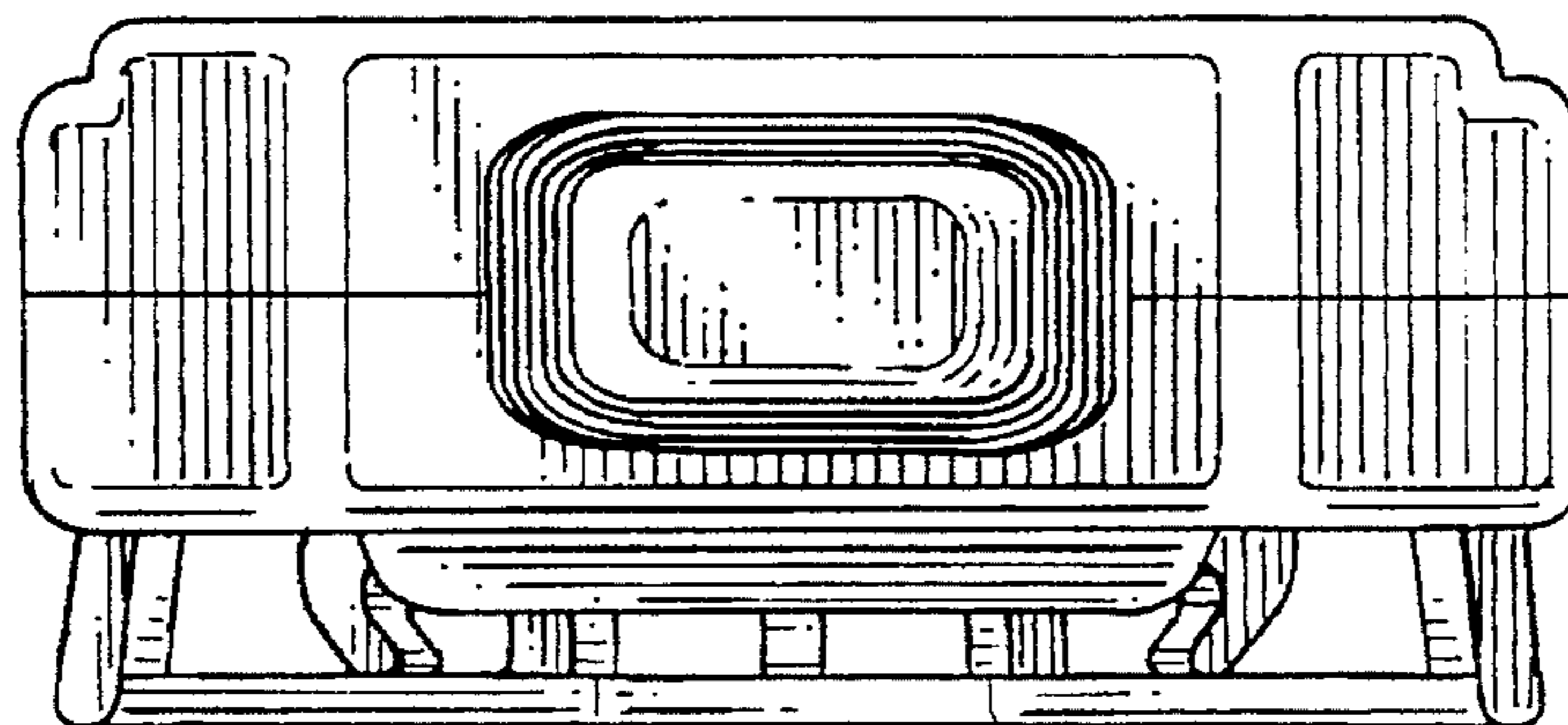


FIG. 4

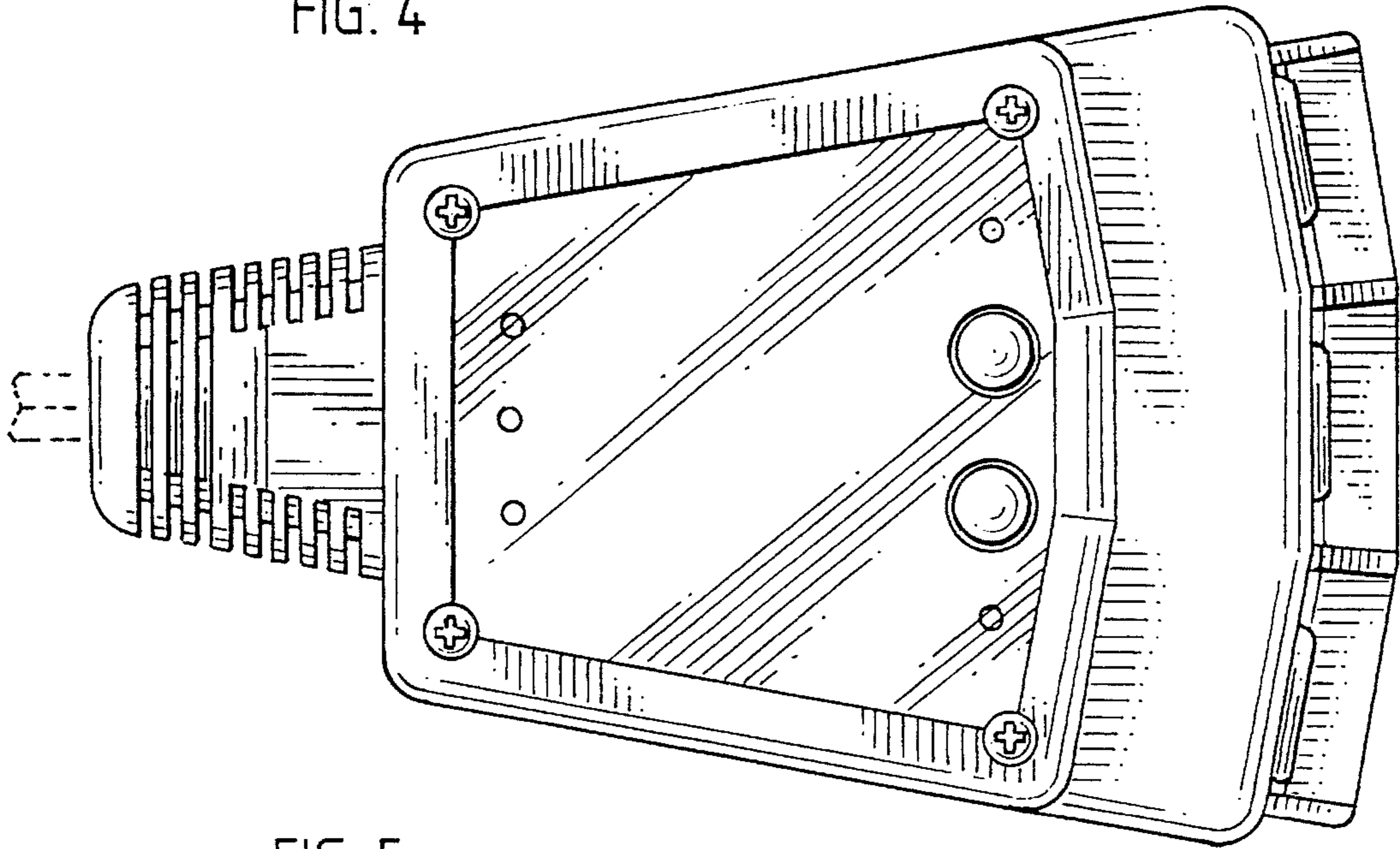


FIG. 5

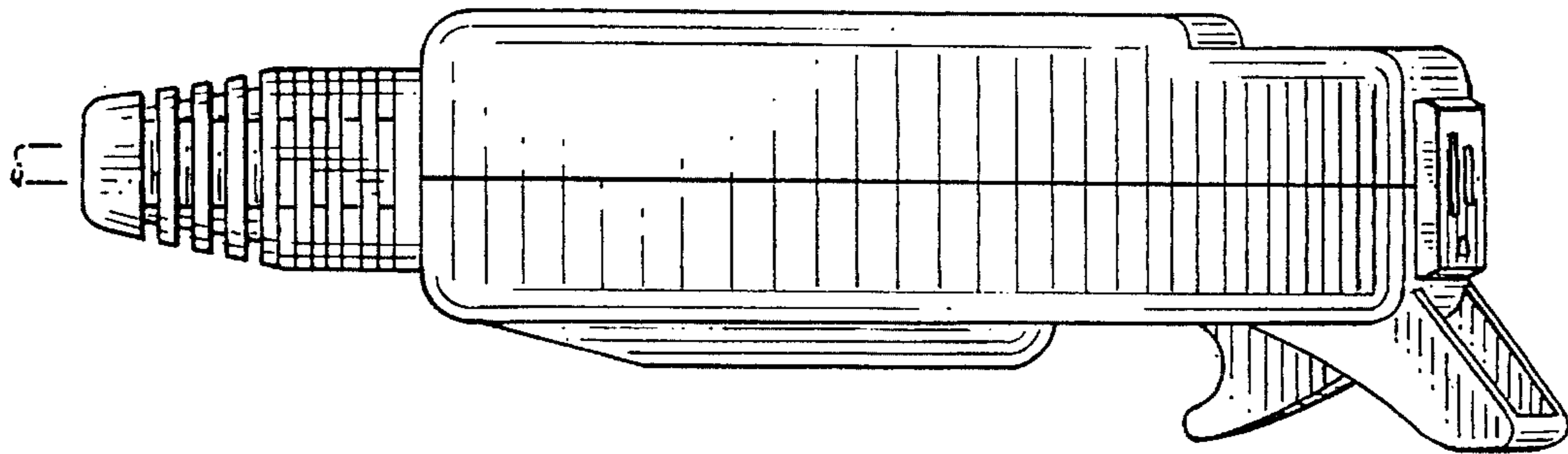


FIG. 6

