



US00D372701S

**United States Patent** [19]  
**Tahmassebpur**

[11] **Patent Number:** **Des. 372,701**

[45] **Date of Patent:** **\*\*Aug. 13, 1996**

[54] **SHRINK WRAP BATTERY PACK**

[75] Inventor: **Mohammed Tahmassebpur**,  
Vancouver, Canada

[73] Assignee: **Sierra Wireless, Inc.**, Richmond,  
Canada

[\*\*] Term: **14 Years**

[21] Appl. No.: **40,873**

[22] Filed: **Jun. 29, 1995**

[52] U.S. Cl. .... **D13/103**

[58] Field of Search ..... D13/103; 429/97,  
429/98, 99, 121, 159, 163, 176; 206/703;  
320/2

[56] **References Cited**

**U.S. PATENT DOCUMENTS**

D. 283,812	5/1986	Liataud et al. ....	D13/103
D. 339,100	9/1993	Ansell et al. ....	D13/103
4,123,598	10/1978	Hammel .....	429/159

**OTHER PUBLICATIONS**

Battery pack PS-AA/3 on p. 25 of Allied Electronics 1990 catalog.

Shrink wrapped battery packs on p. 109 of Radio Shack 1990 catalog.

*Primary Examiner*—Joel Sincavage

*Attorney, Agent, or Firm*—Burns, Doane, Swecker & Mathis, L.L.P.

[57] **CLAIM**

The ornamental design for a shrink wrap battery pack, as shown.

**DESCRIPTION**

FIG. 1 is a perspective view of a shrink wrap battery pack showing my new design;

FIG. 2 is a top plan view of the shrink wrap battery pack; and

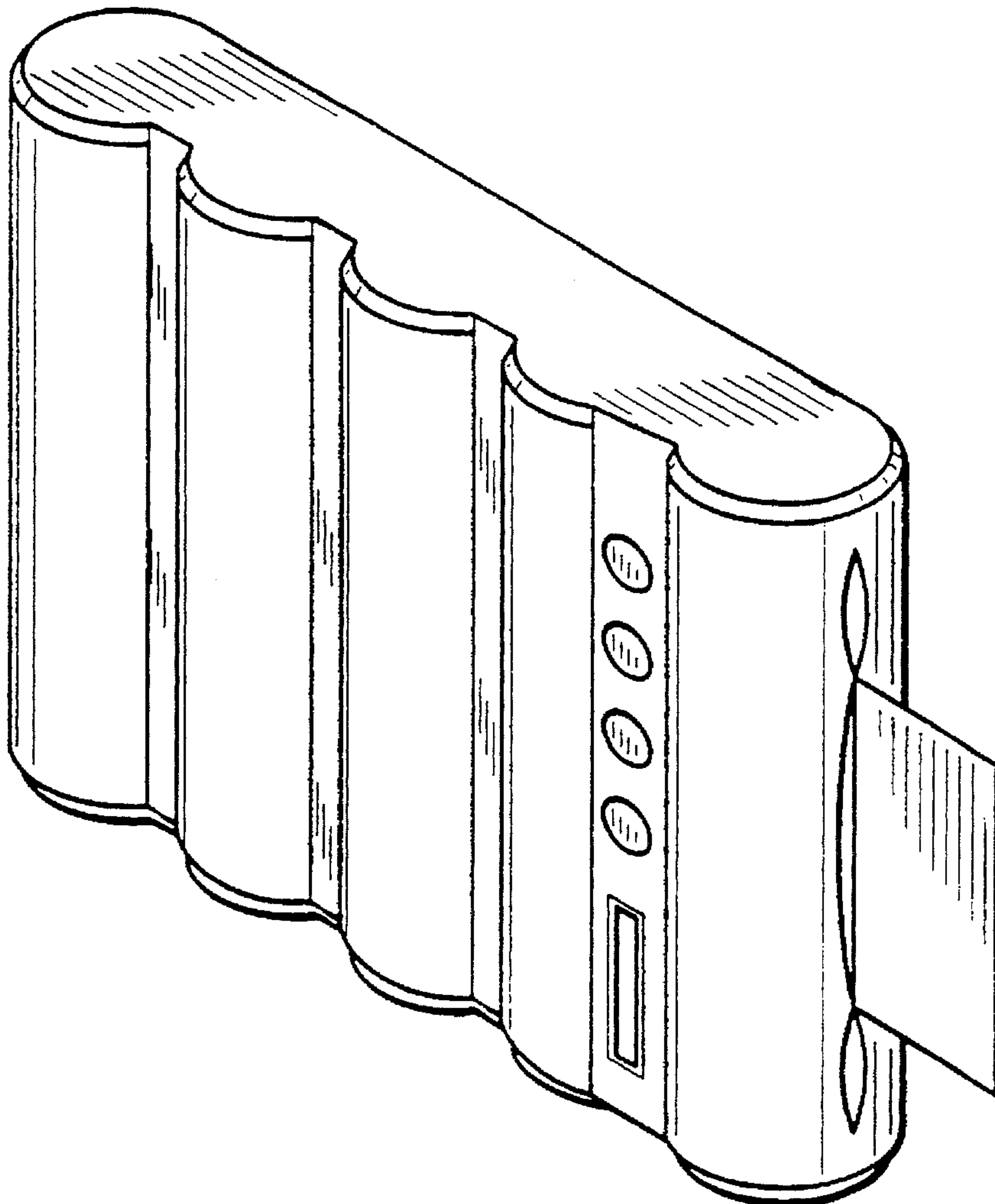
FIG. 3 is a front view of the shrink wrap battery pack;

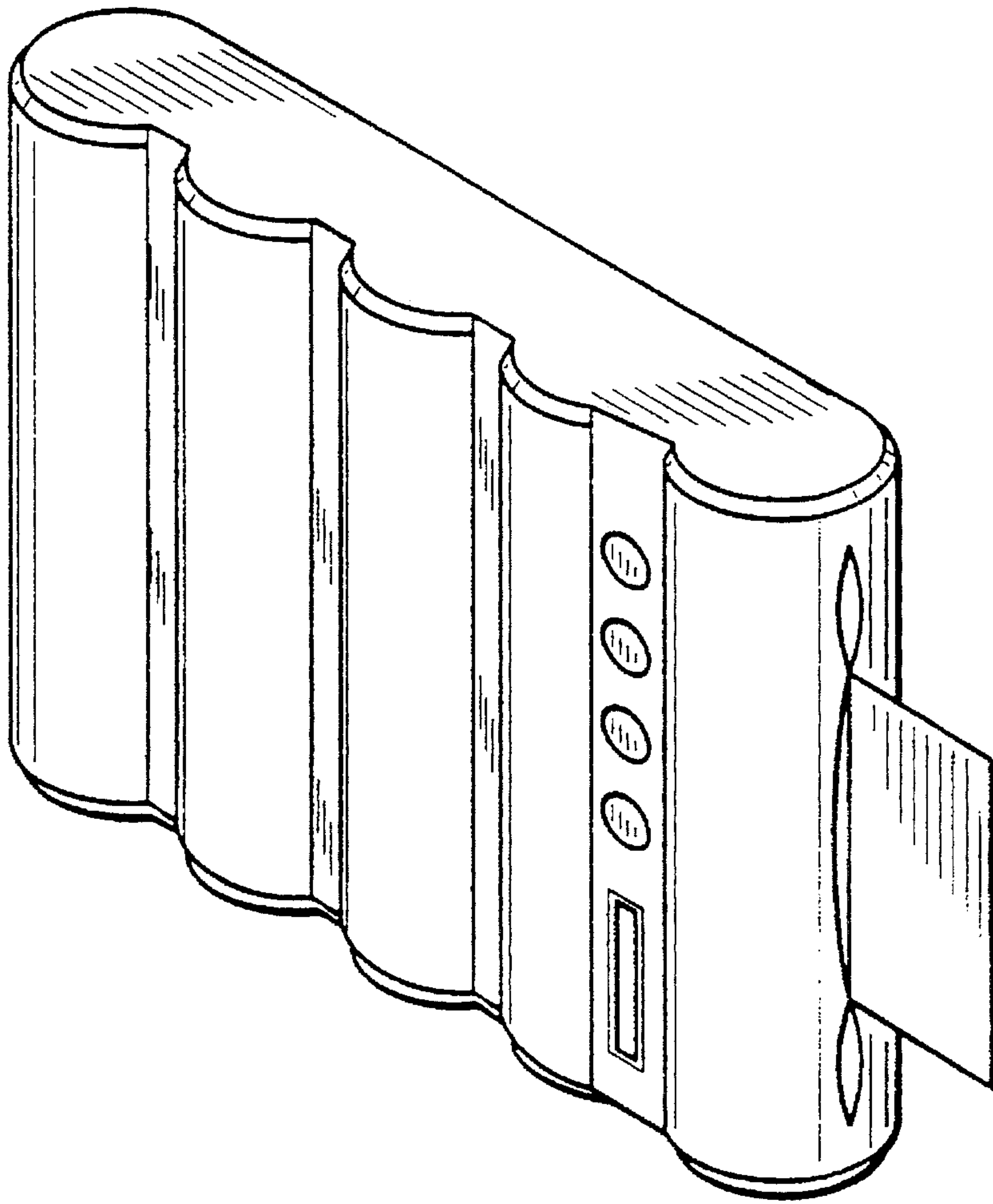
FIG. 4 is a bottom plan view of the shrink wrap battery pack;

FIG. 5 is a rear view of the shrink wrap battery pack; and,

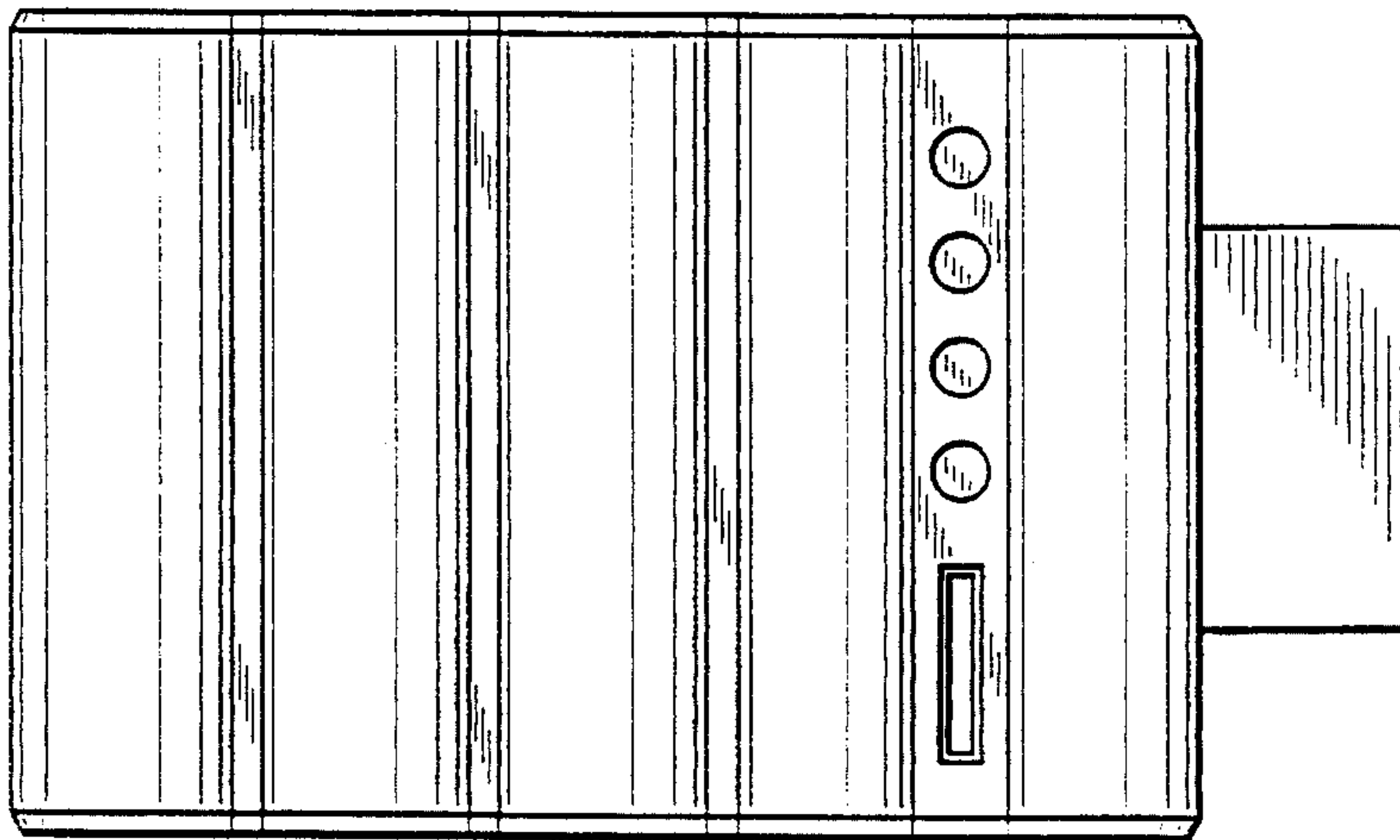
FIG. 6 is a side view of the shrink wrap battery pack.

**1 Claim, 2 Drawing Sheets**

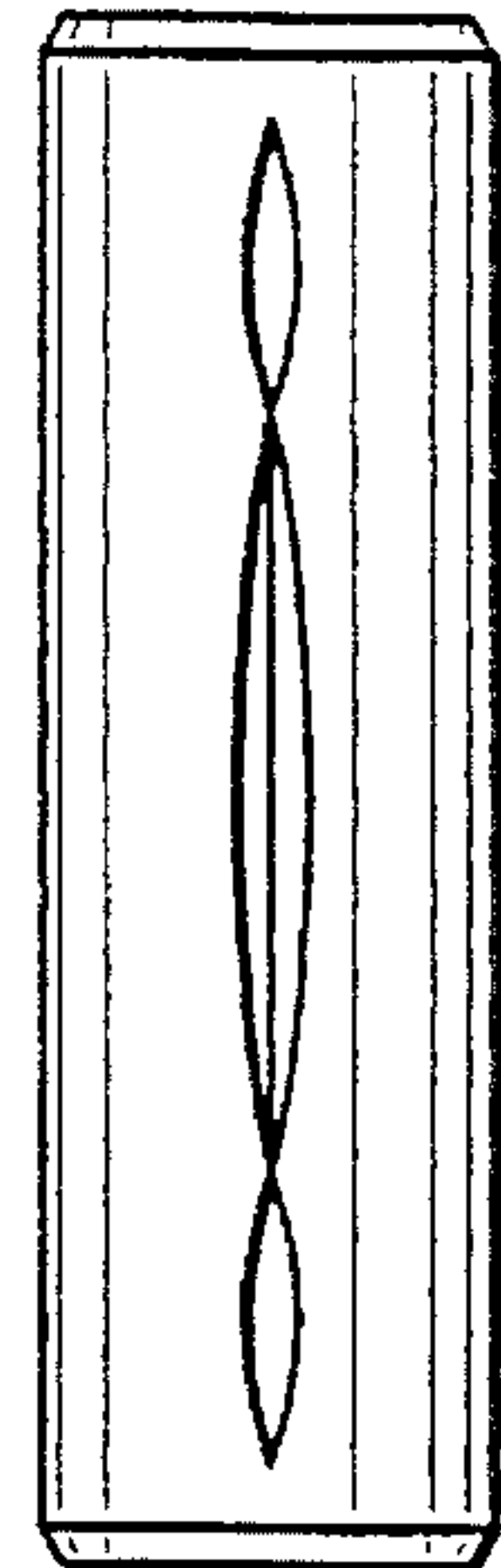




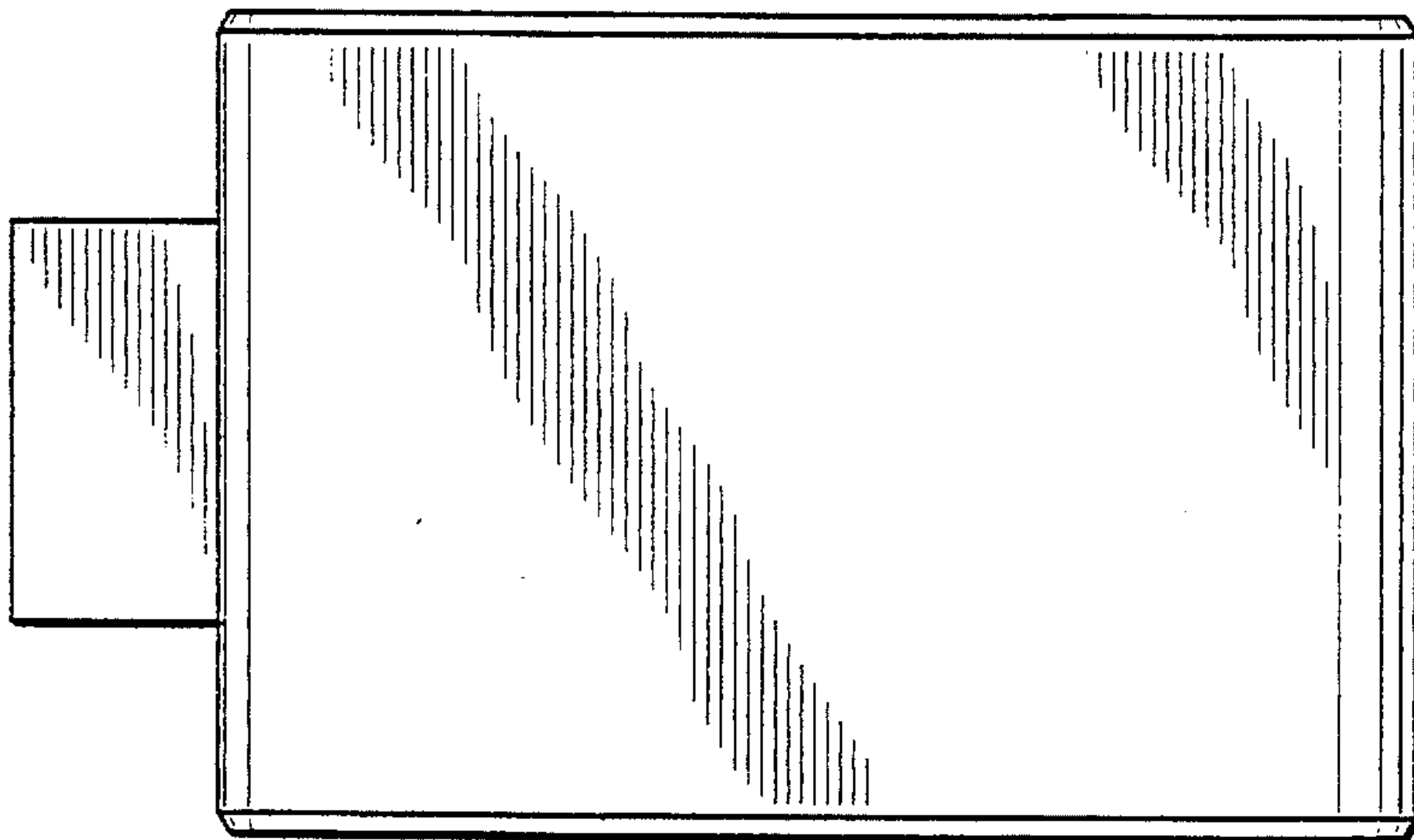
**FIG. 1**



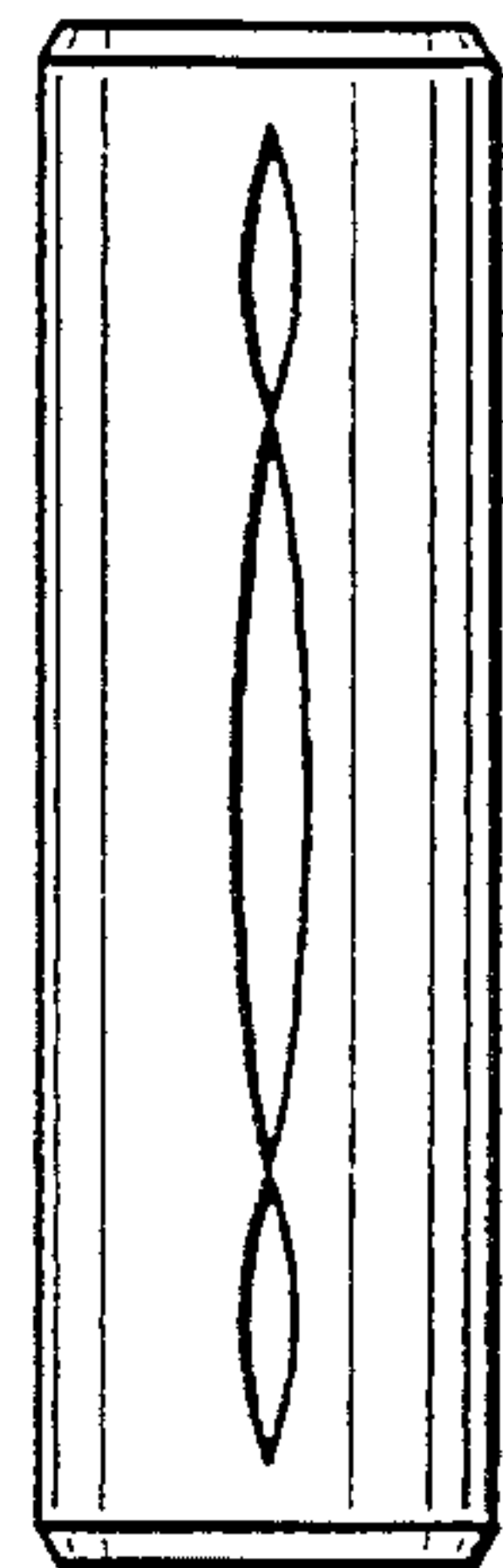
**FIG.\_2**



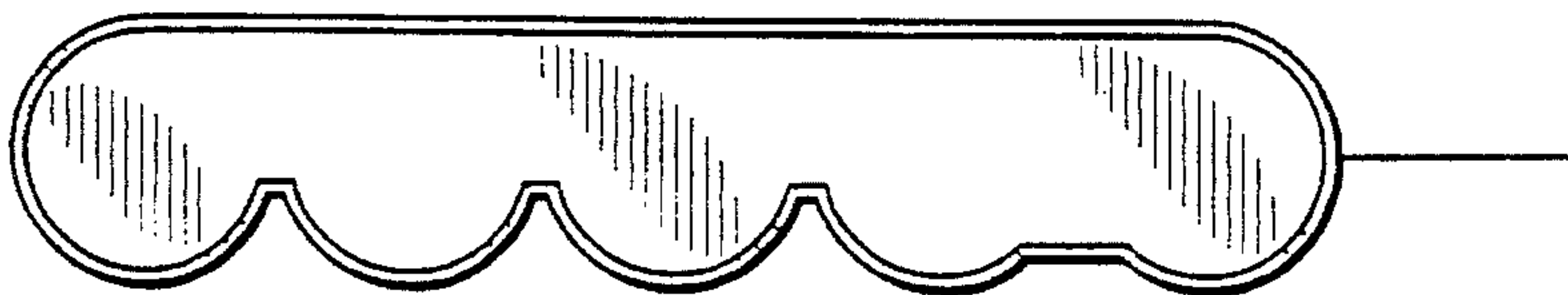
**FIG.\_3**



**FIG.\_4**



**FIG.\_5**



**FIG.\_6**