



US00D372697S

United States Patent [19]

Echazabal et al.

[11] Patent Number: **Des. 372,697**

[45] Date of Patent: ****Aug. 13, 1996**

[54] **FRONT FACE OF A VEHICLE WHEEL**

9401578 9/1994 Germany .

[75] Inventors: **Alberto Echazabal**, Hialeah Gardens, Fla.; **Claudio Bernoni**, Albano Terma, Italy

OTHER PUBLICATIONS

Custom Wheel & Tire Style Guide Supplement to Tire Reviews, May 1994, p. 38, Funs Dimension IV Wheel, center right side of page.

[73] Assignee: **Motoring Accessories, Inc.**, Miami, Fla.

Primary Examiner—James M. Gandy
Attorney, Agent, or Firm—Longacre & White

[**] Term: **14 Years**

[21] Appl. No.: **38,114**

[57] CLAIM

[22] Filed: **Apr. 28, 1995**

The ornamental design for the front face of a vehicle wheel, as shown and described.

[52] U.S. Cl. **D12/209**

[58] Field of Search D12/209; 301/64.1, 301/65, 37.1

DESCRIPTION

[56] References Cited

U.S. PATENT DOCUMENTS

- D. 299,918 2/1989 Envall et al. D12/209
- D. 337,562 7/1993 Hareide D12/209
- D. 351,582 10/1994 Echazabel et al. D12/209

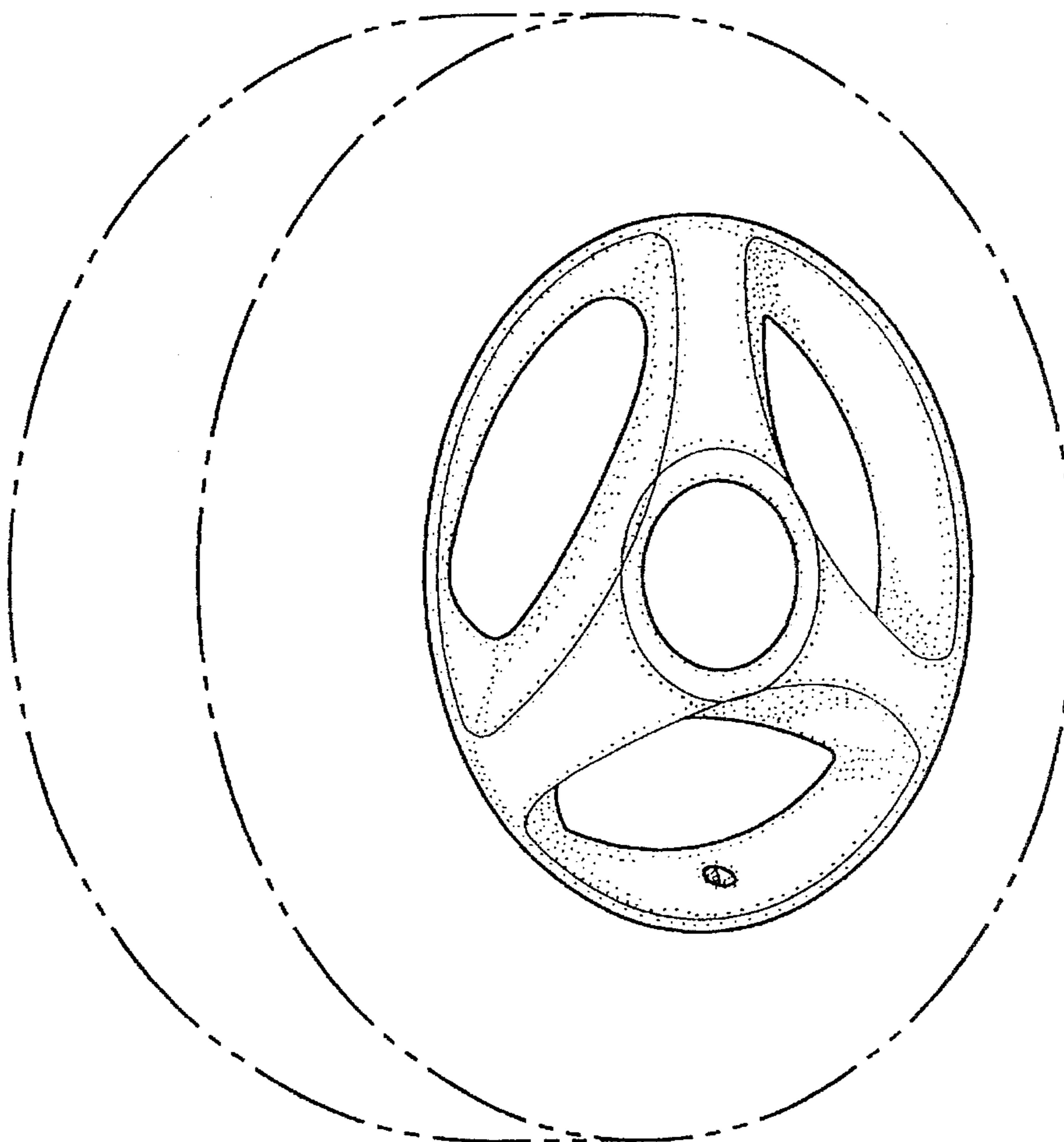
FIG. 1 is a perspective view of the front face of a vehicle wheel according to the present invention; and, FIG. 2 is a front elevational view of the front face of a vehicle wheel as shown in FIG. 1.

The broken line showing of environmental structure in the drawing is for illustrative purposes only and forms no part of the claimed design.

FOREIGN PATENT DOCUMENTS

9304290 4/1994 Germany .

1 Claim, 1 Drawing Sheet



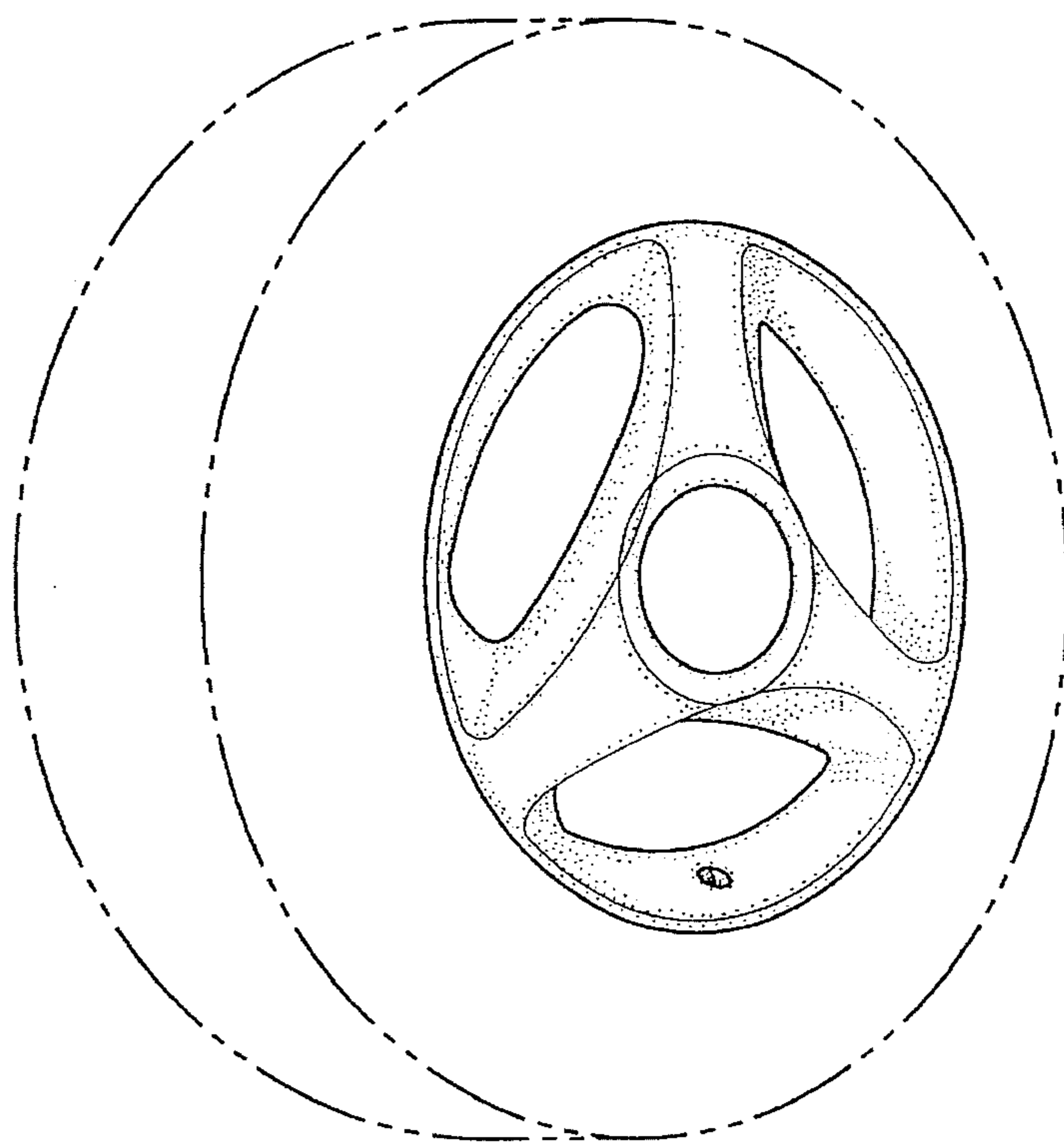


FIG. 1

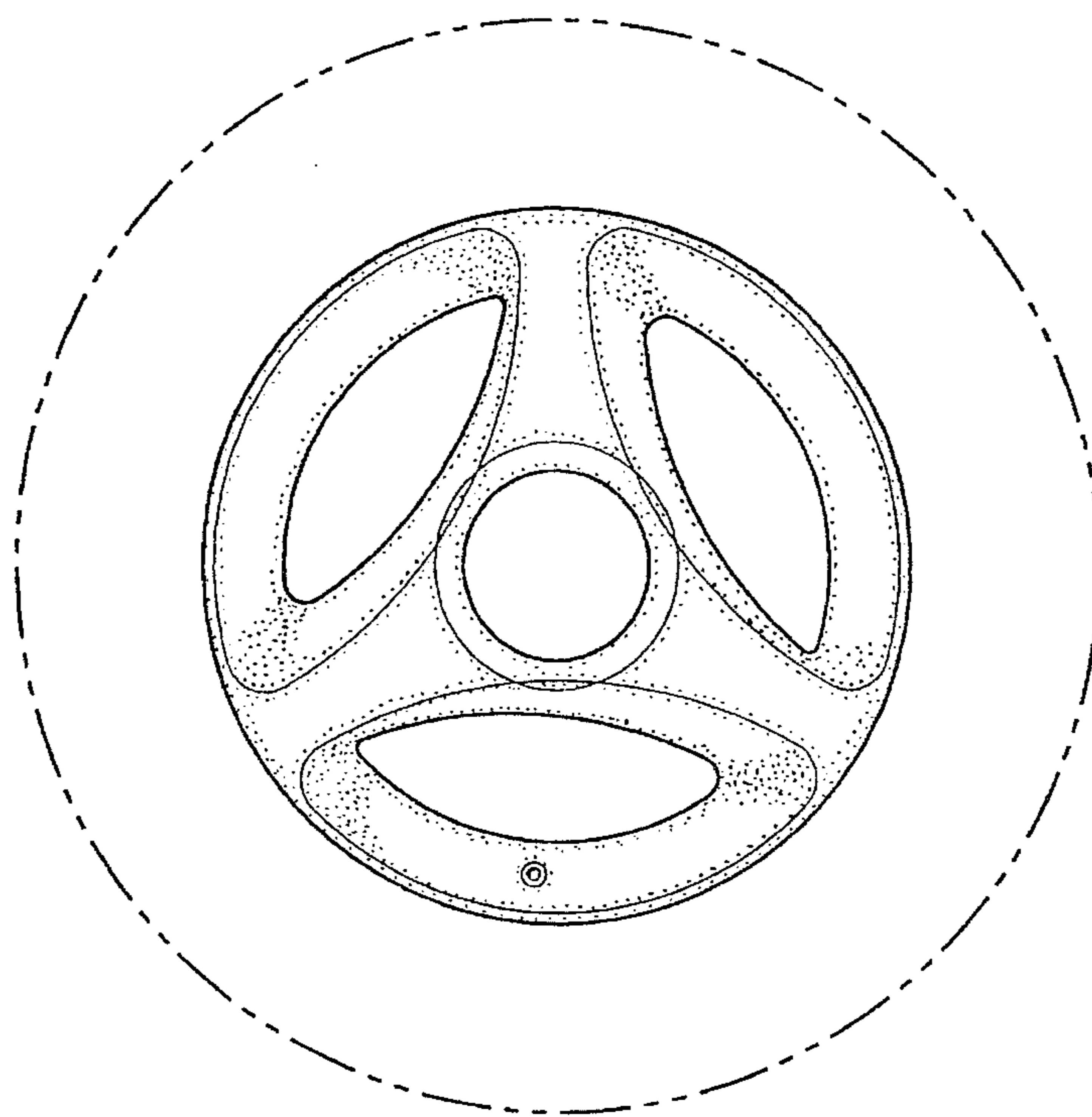


FIG. 2