



US00D372696S

United States Patent [19]
Tung

[11] **Patent Number: Des. 372,696**

[45] **Date of Patent: **Aug. 13, 1996**

[54] **AUTOMOBILE WHEEL**

[75] Inventor: **Mitchell M. Tung**, Arcadia, Calif.

[73] Assignee: **Prime Wheel**, Harbor City, Calif.

[**] Term: **14 Years**

[21] Appl. No.: **36,464**

[22] Filed: **Mar. 21, 1995**

[52] U.S. Cl. **D12/209**

[58] Field of Search **D12/209, 211;**
301/64.1, 65

[56] **References Cited**

FOREIGN PATENT DOCUMENTS

9400611 7/1994 Germany .

OTHER PUBLICATIONS

Motor Trend, Jun. 1994, p. 53, Wheel on Ford Mustang GT, top of page.

Primary Examiner—James M. Gandy

Attorney, Agent, or Firm—Christie, Parker & Hale, LLP

[57] **CLAIM**

The ornamental design for automobile wheel, as shown and described.

DESCRIPTION

FIG. 1 is a front perspective view of a vehicle wheel showing my new design;

FIG. 2 is a front view thereof; and,

FIG. 3 is a side view thereof.

1 Claim, 3 Drawing Sheets

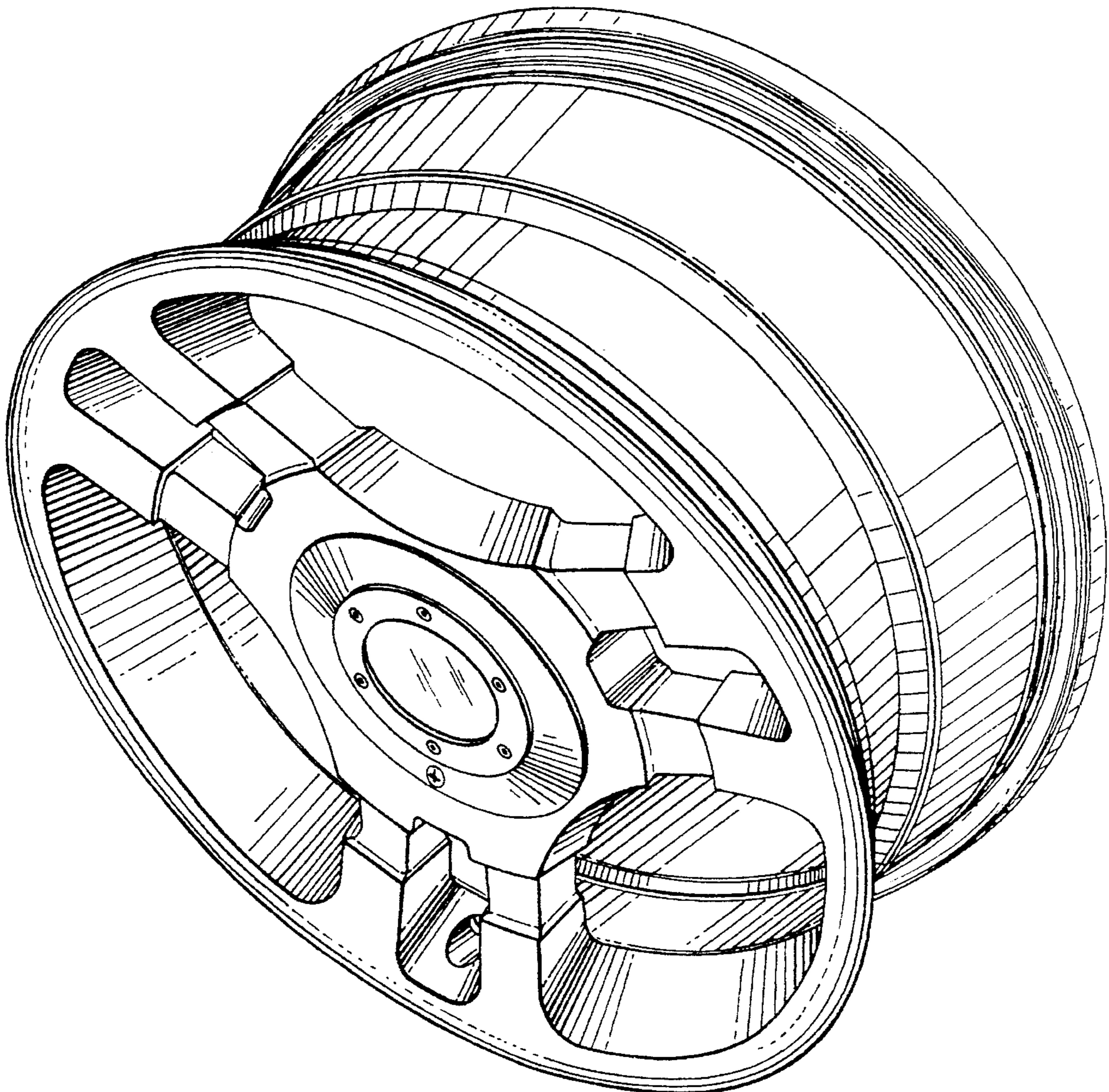


Fig. 1

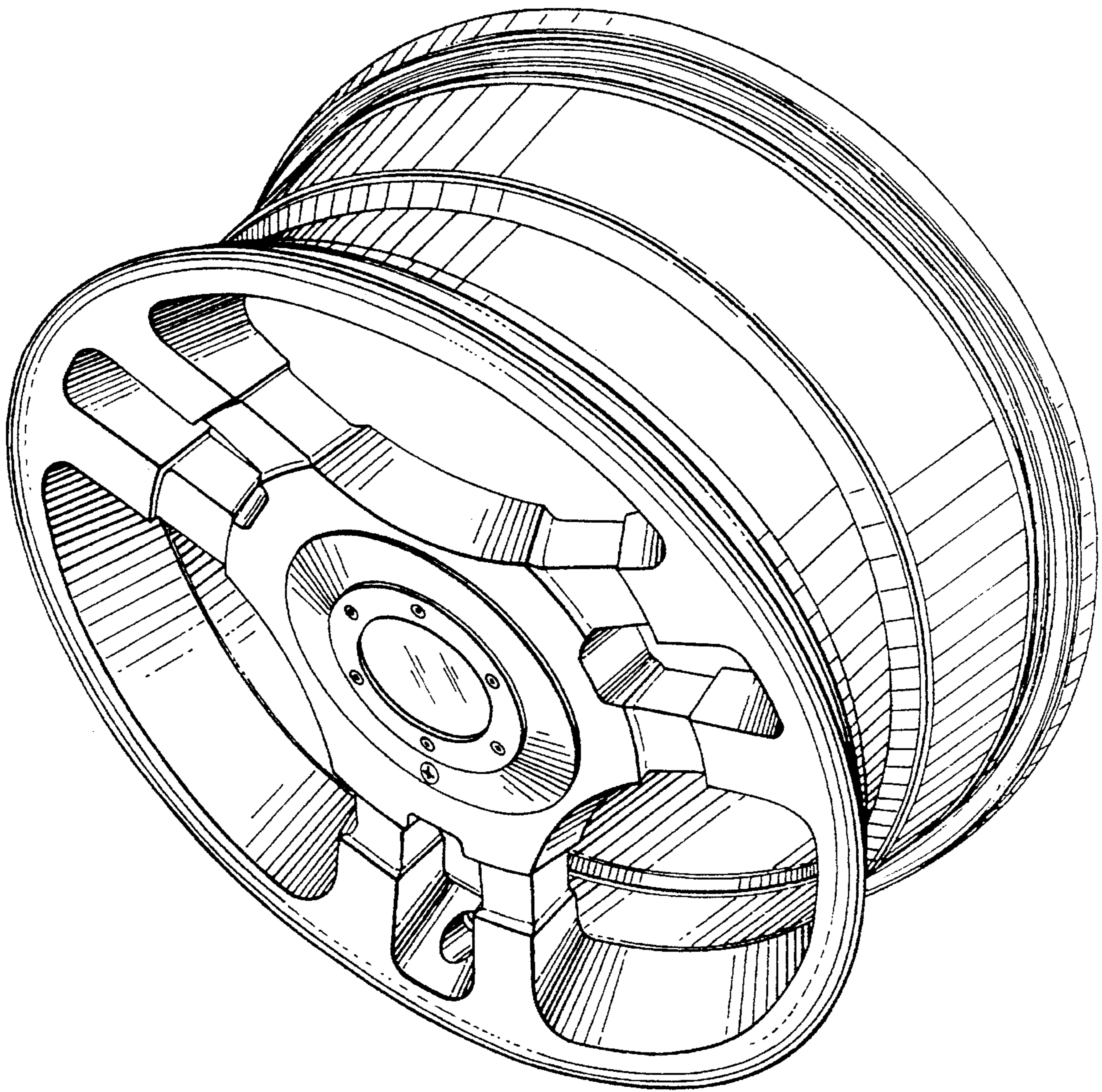


Fig. 2

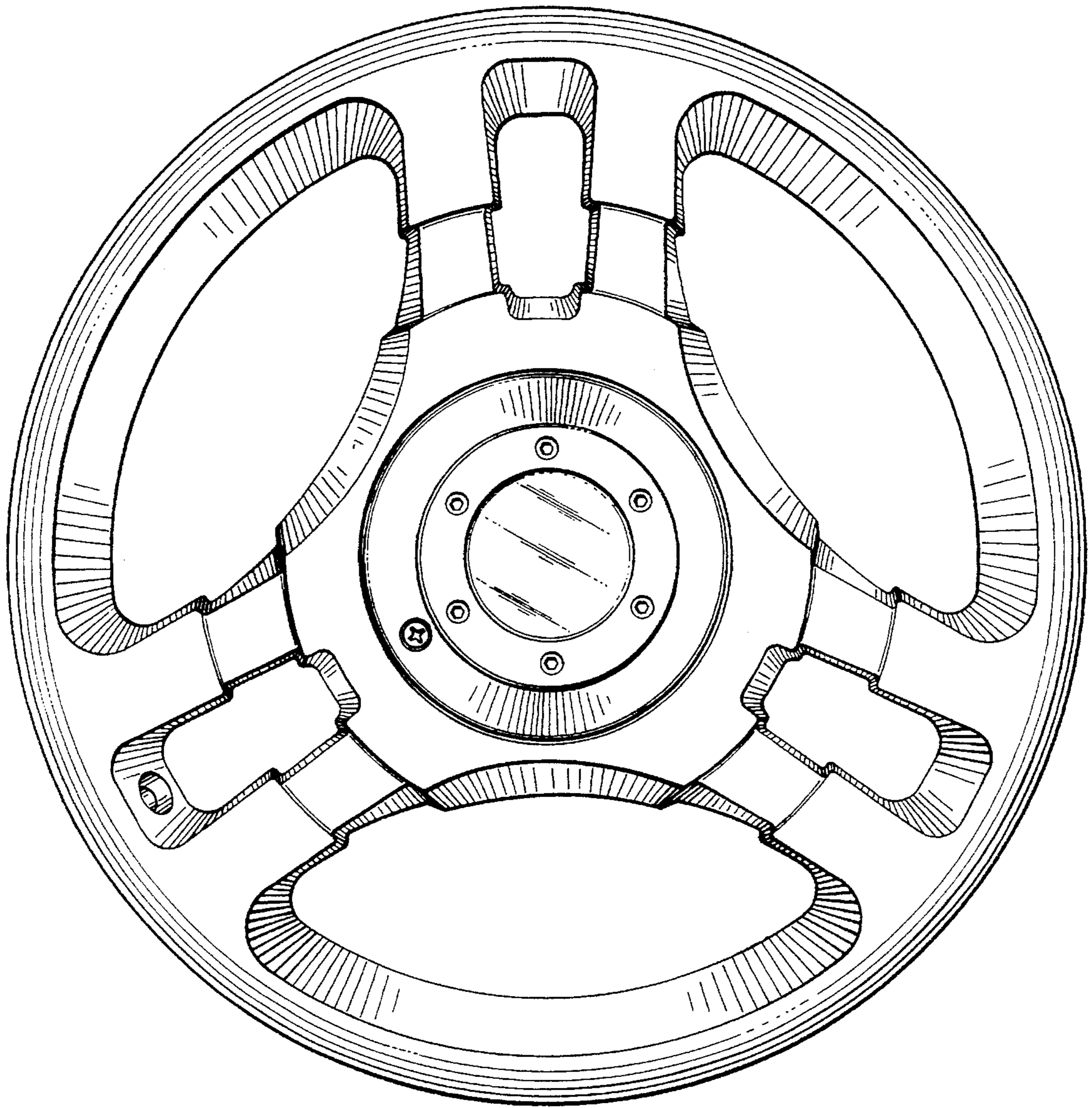


Fig. 3

