



US00D372693S

United States Patent [19] Lim

[11] Patent Number: **Des. 372,693**

[45] Date of Patent: ****Aug. 13, 1996**

[54] **PNEUMATIC TIRE FOR VEHICLE**

149424 3/1994 Rep. of Korea .

[75] Inventor: **Nack-Hyun Lim**, Kwangju, Rep. of Korea

OTHER PUBLICATIONS

1994 Tread Design Guide, p. 26, General Hydro 2000 Tire, second tire in from top left side of page.

[73] Assignee: **Kumho & Co., Inc.**, Seoul, Rep. of Korea

Primary Examiner—James M. Gandy

[**] Term: **14 Years**

Attorney, Agent, or Firm—Lowe, Price, LeBlanc & Becker

[21] Appl. No.: **32,460**

[57] CLAIM

[22] Filed: **Dec. 19, 1994**

The ornamental design for a pneumatic tire for vehicle, as shown and described.

[30] Foreign Application Priority Data

DESCRIPTION

Jun. 22, 1994 [KR] Rep. of Korea 13449/1994

[52] U.S. Cl. **D12/147**

[58] Field of Search D12/141, 145, D12/146-151; 152/209 R, 209 D

FIG. 1 is a front elevational view showing my new design; FIG. 2 is a left side elevational view thereof, the side opposite being substantially a mirror image;

[56] References Cited

FIG. 3 is an enlarged fragmentary view of the design shown in FIG. 1;

U.S. PATENT DOCUMENTS

FIG. 4 is a section view taken along line 4—4 in FIG. 3; and, FIG. 5 is a perspective view thereof.

D. 328,583	8/1992	Graas et al.	D12/147
D. 344,918	3/1994	Graas	D12/147
D. 355,153	2/1995	Consolacion et al.	D12/147
D. 357,218	4/1995	Powell	D12/147

The tread pattern is understood to be repeated uniformly throughout the circumference of the pneumatic tire for vehicle.

FOREIGN PATENT DOCUMENTS

149120 3/1994 Rep. of Korea .

1 Claim, 3 Drawing Sheets

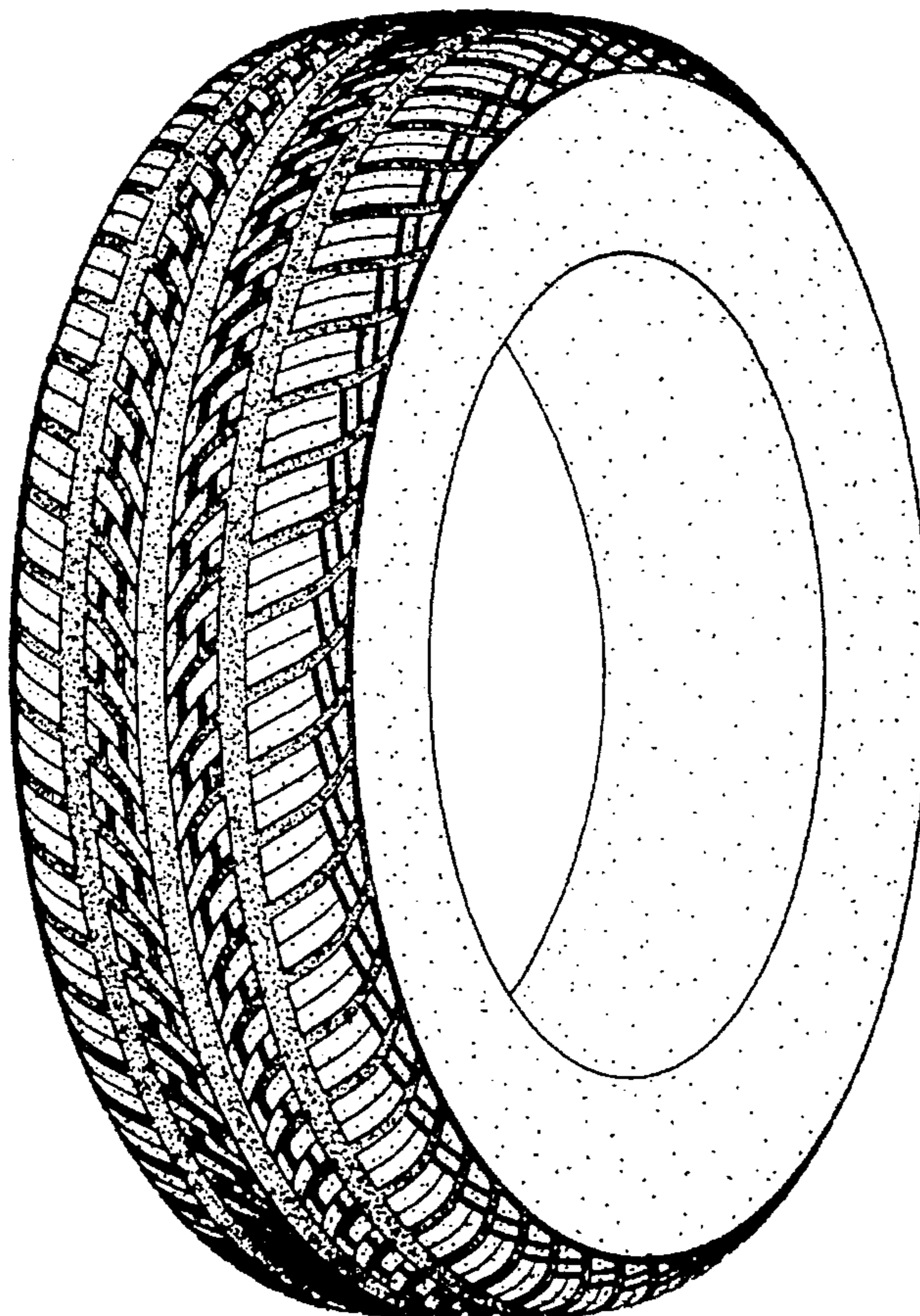


Fig. 1

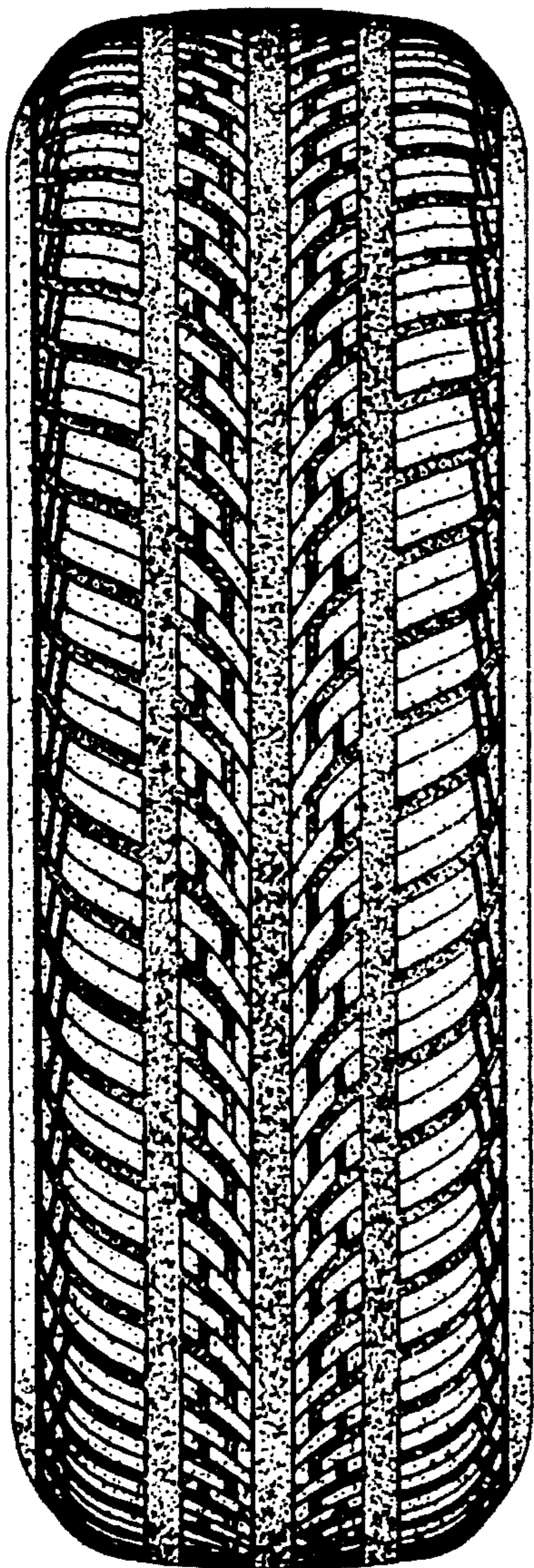


Fig. 3

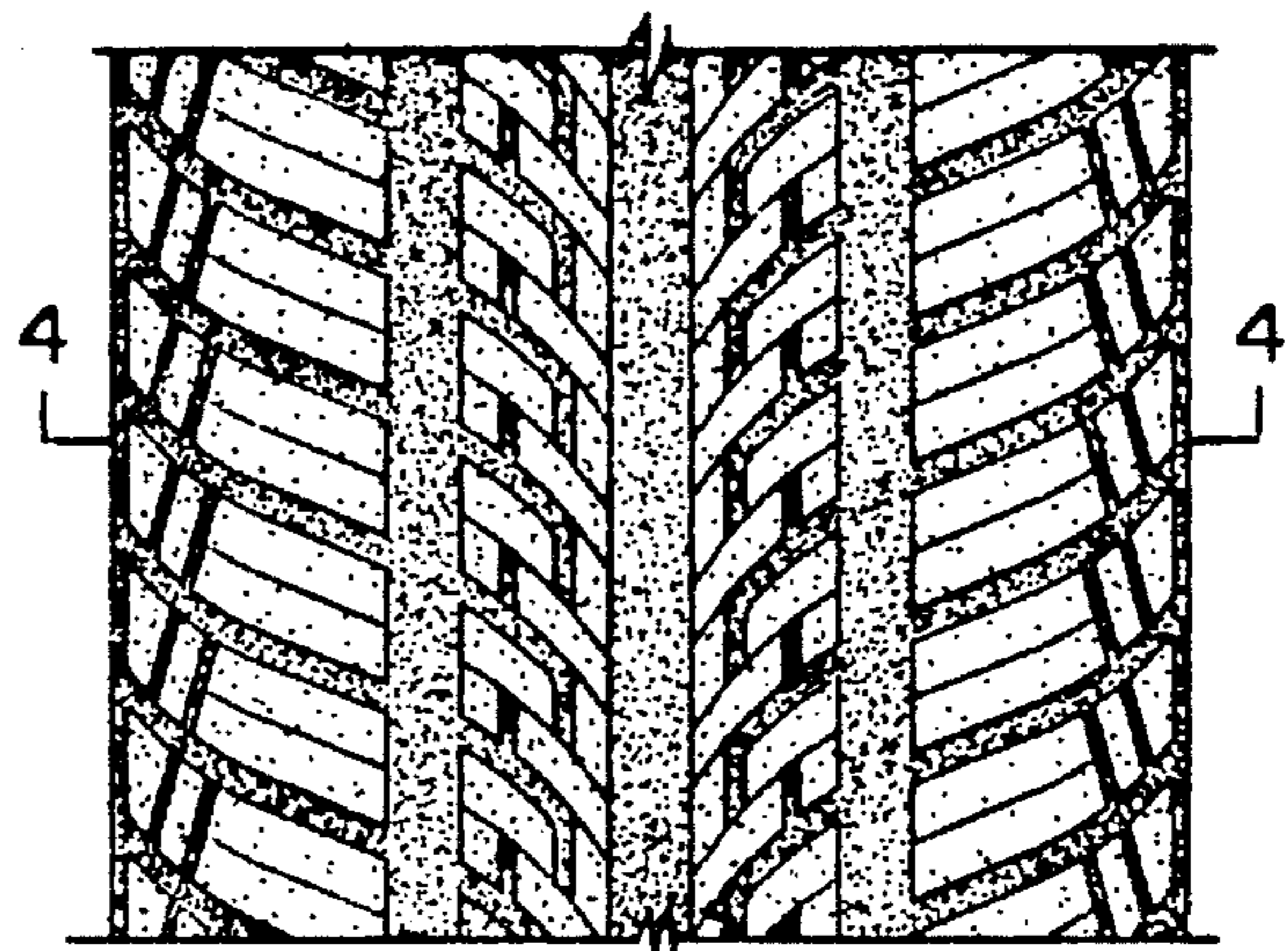


Fig. 4



Fig. 2

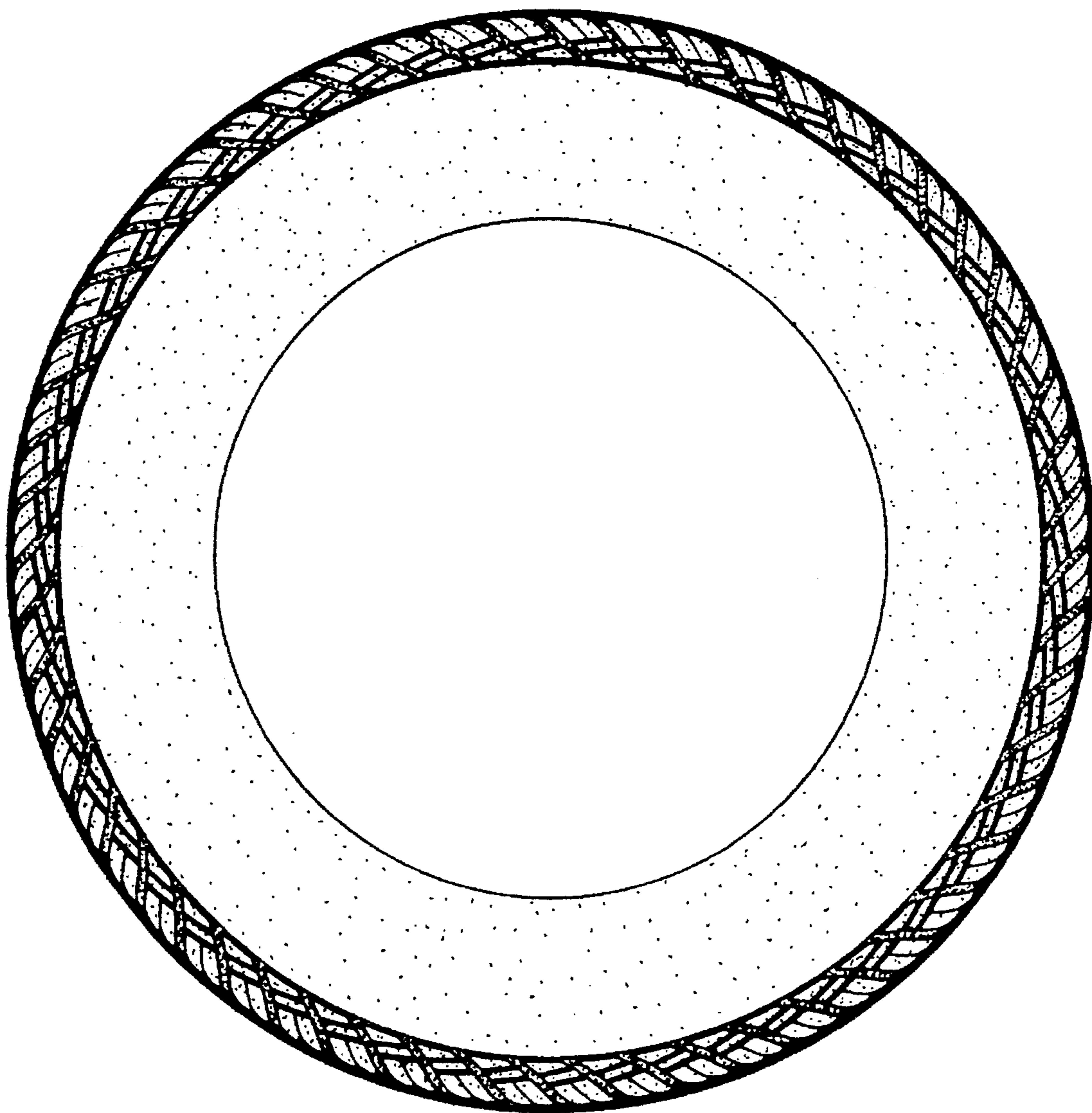


Fig. 5

