



US00D372691S

United States Patent [19]

[11] Patent Number: **Des. 372,691**

Eason

[45] Date of Patent: ****Aug. 13, 1996**

[54] **BICYCLE STAND**

5,385,246 1/1995 Grossnuckle 211/22
5,417,629 5/1995 Phipps 211/22

[75] Inventor: **Donald H. Eason**, Fort Collins, Colo.

Primary Examiner—Melody N. Brown

[73] Assignee: **Ultimate Support Systems, Inc.**, Fort Collins, Colo.

[57] CLAIM

[**] Term: **14 Years**

The ornamental design for a bicycle stand, as shown and described.

[21] Appl. No.: **44,680**

DESCRIPTION

[22] Filed: **Sep. 29, 1995**

[52] U.S. Cl. **D12/115**

[58] Field of Search D12/115; 211/17, 211/20, 22

FIG. 1 is a front perspective view of the bicycle stand showing my new design;

FIG. 2 is a side elevational view of the bicycle stand, the right side view;

FIG. 3 is a side elevational view of the bicycle stand; the left side view;

FIG. 4 is a front elevational view thereof;

FIG. 5 is a rear elevational view thereof;

FIG. 6 is a top plan view of the bicycle stand; and,

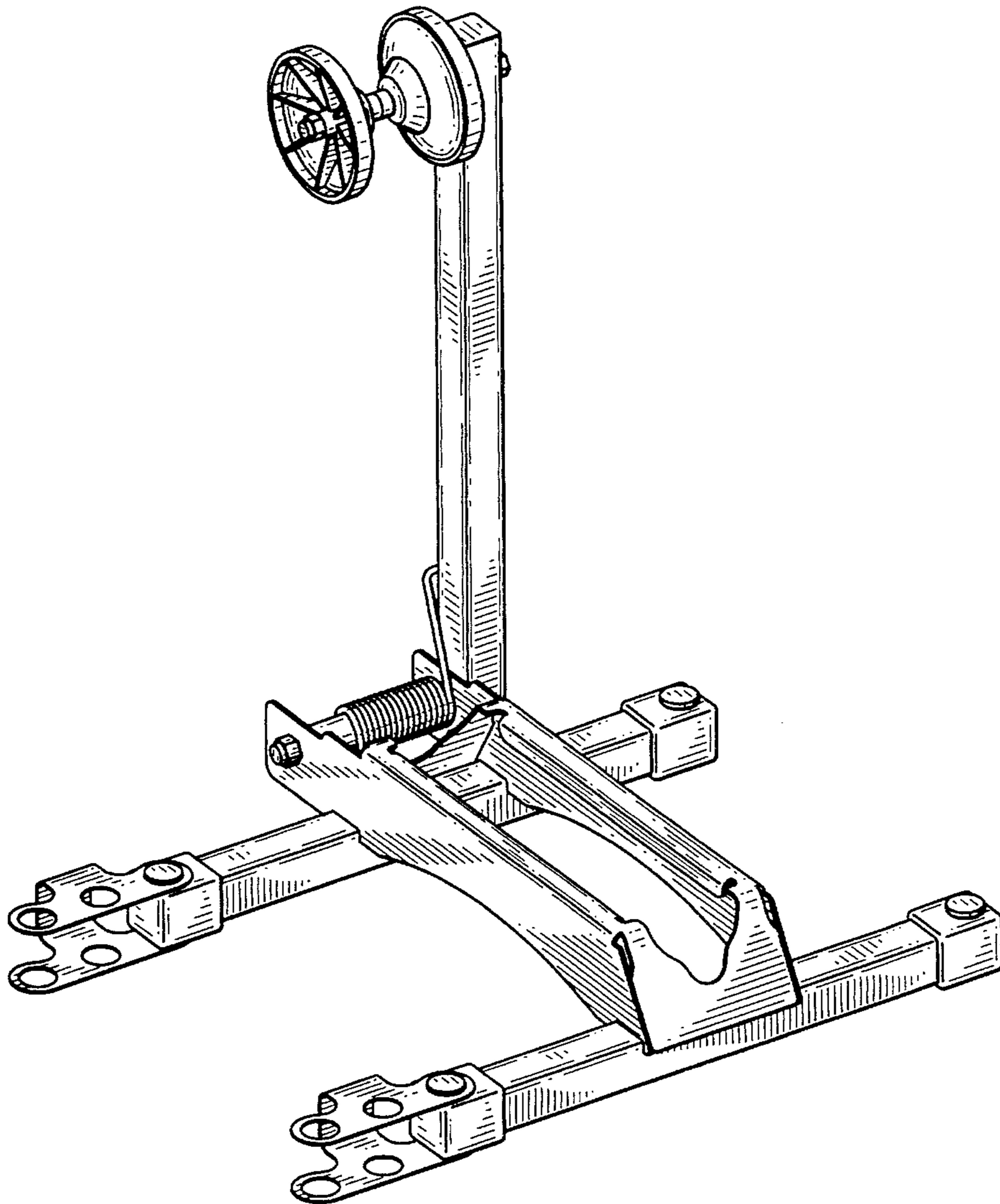
FIG. 7 is a bottom plan view of the bicycle stand.

[56] References Cited

U.S. PATENT DOCUMENTS

D. 330,695	11/1992	Simmons	D12/115
4,126,228	11/1978	Bala et al.	211/27
4,629,104	12/1986	Jacquet	211/20
5,301,817	4/1994	Merritt	211/20
5,320,227	6/1994	Minoura	211/22

1 Claim, 7 Drawing Sheets



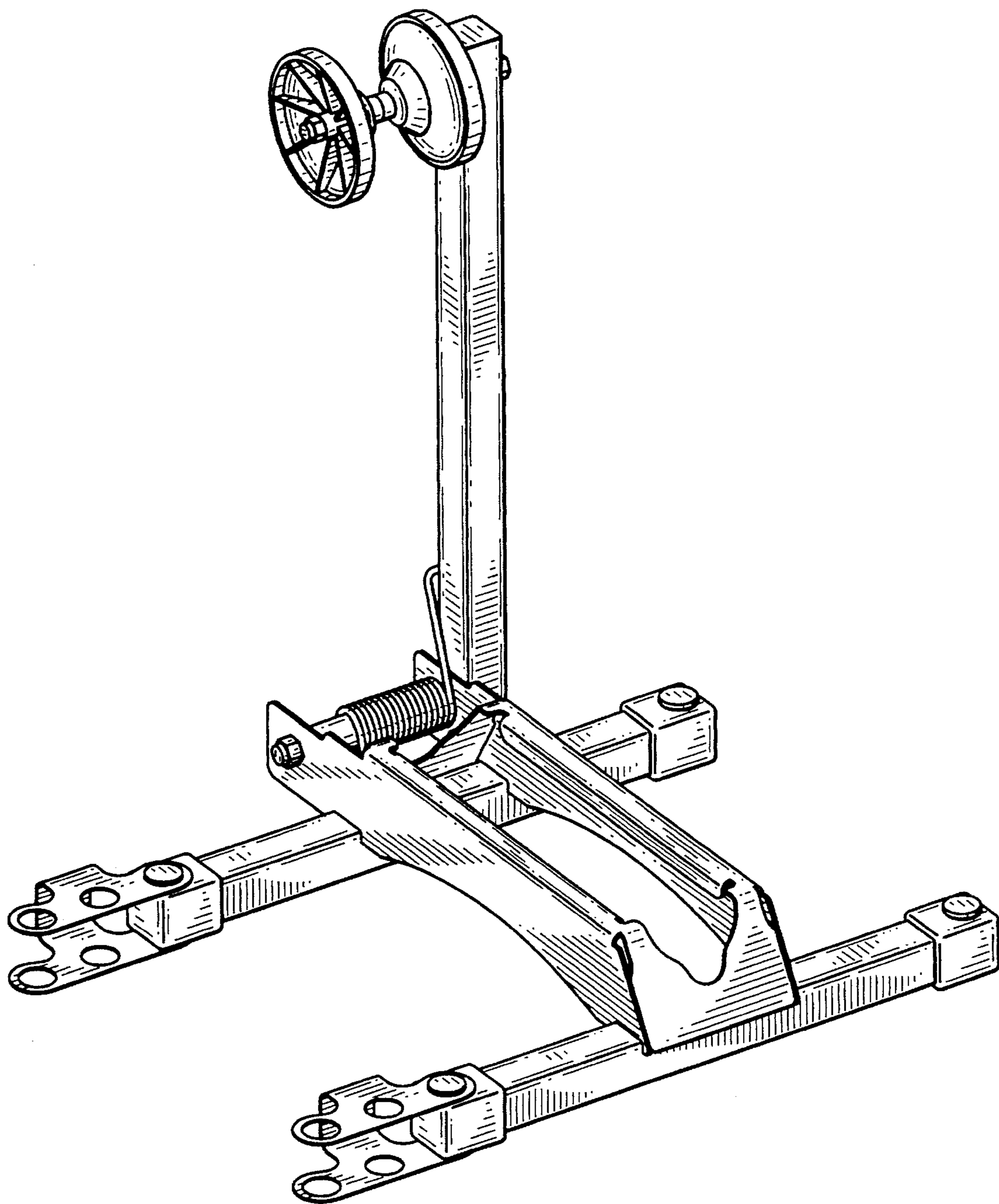


FIG. 1

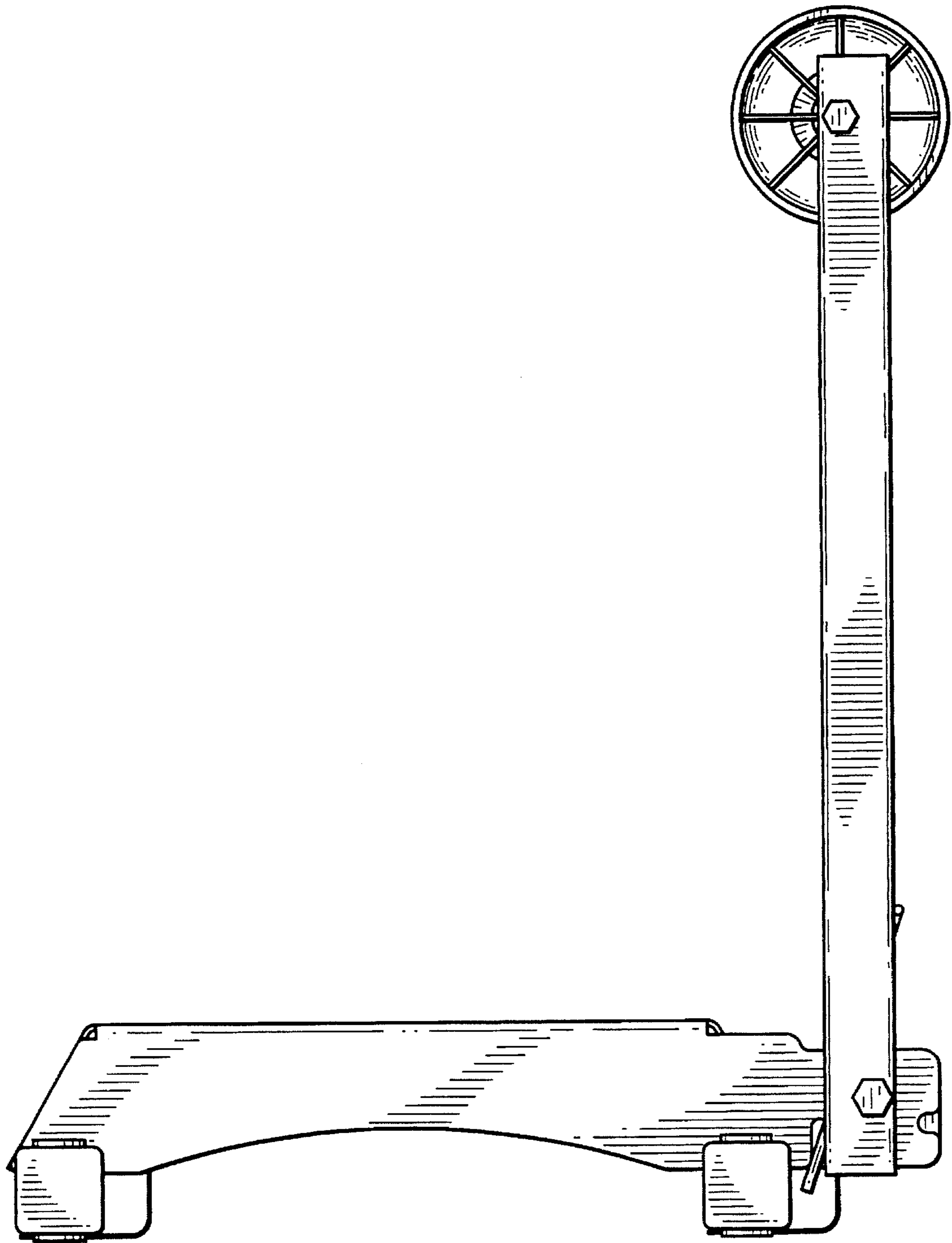


FIG. 2

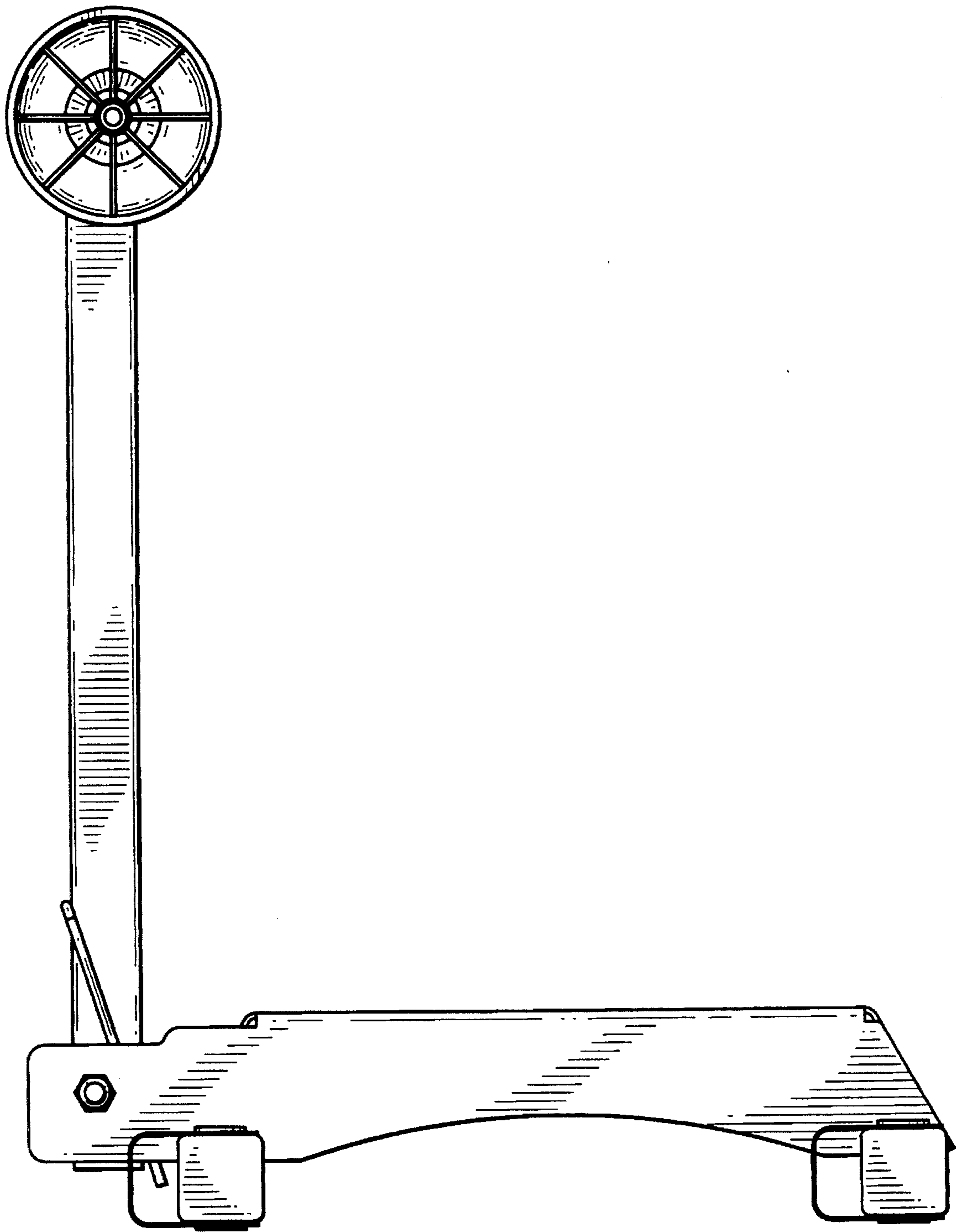


FIG. 3

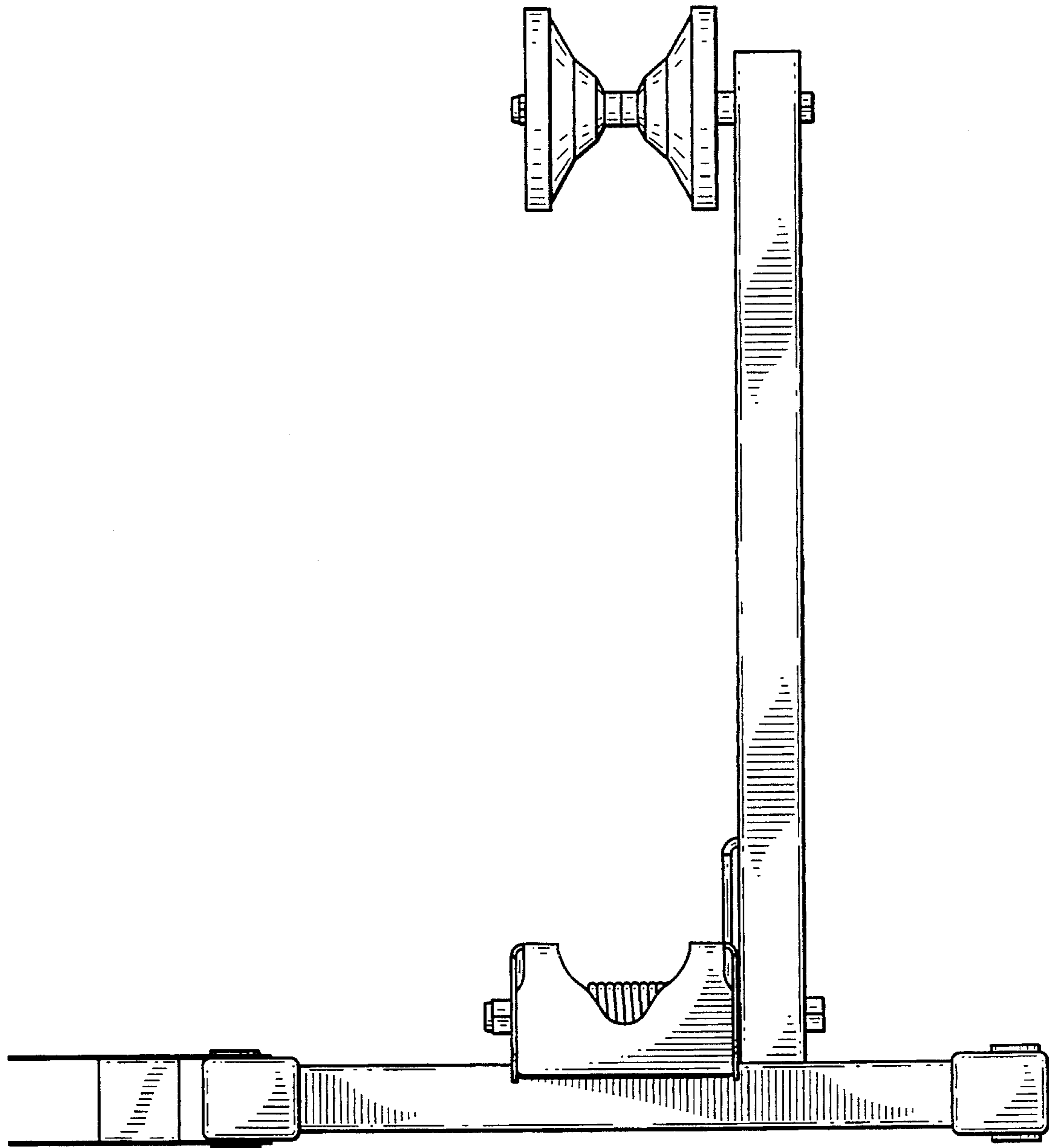


FIG. 4

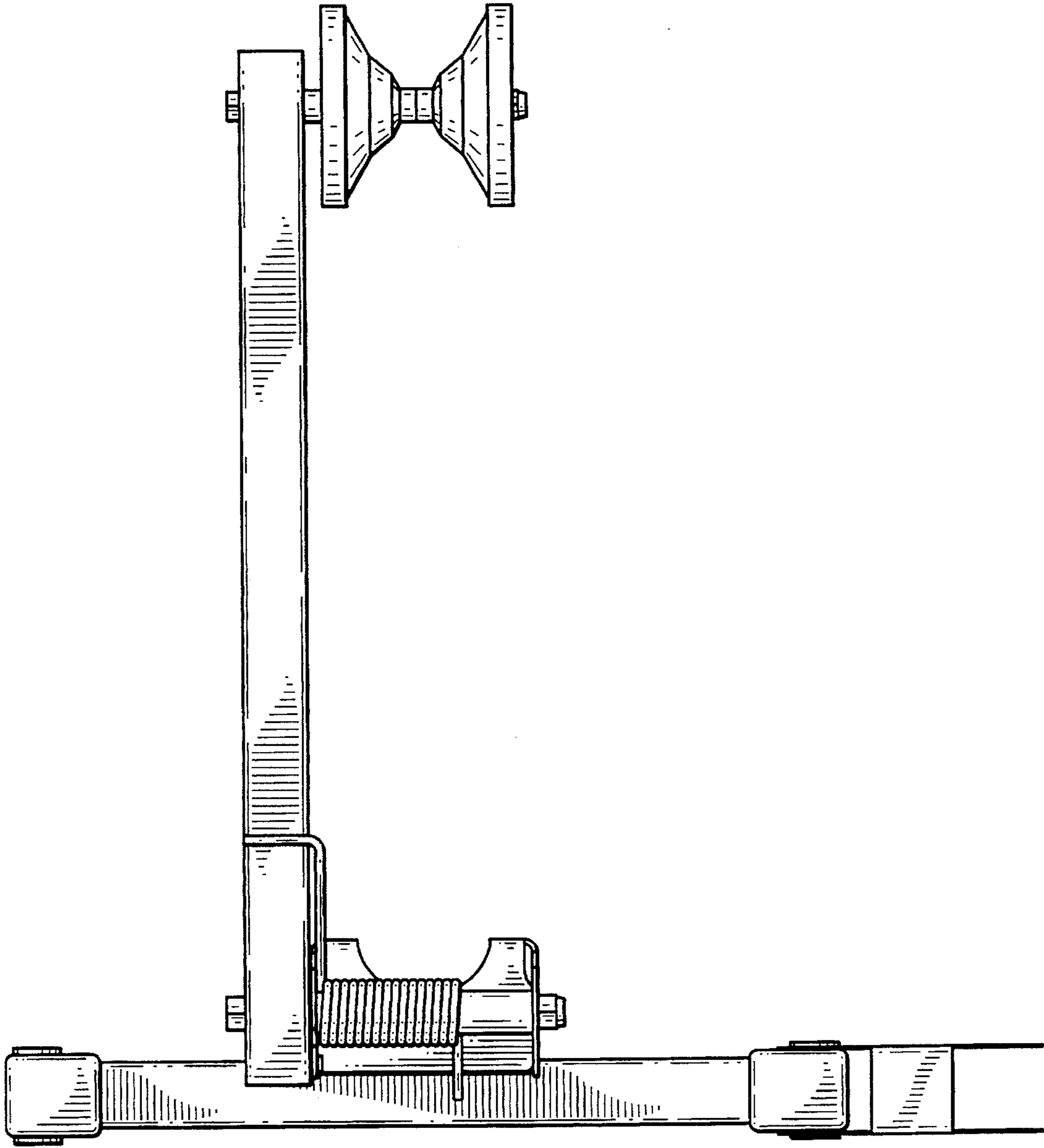


FIG. 5

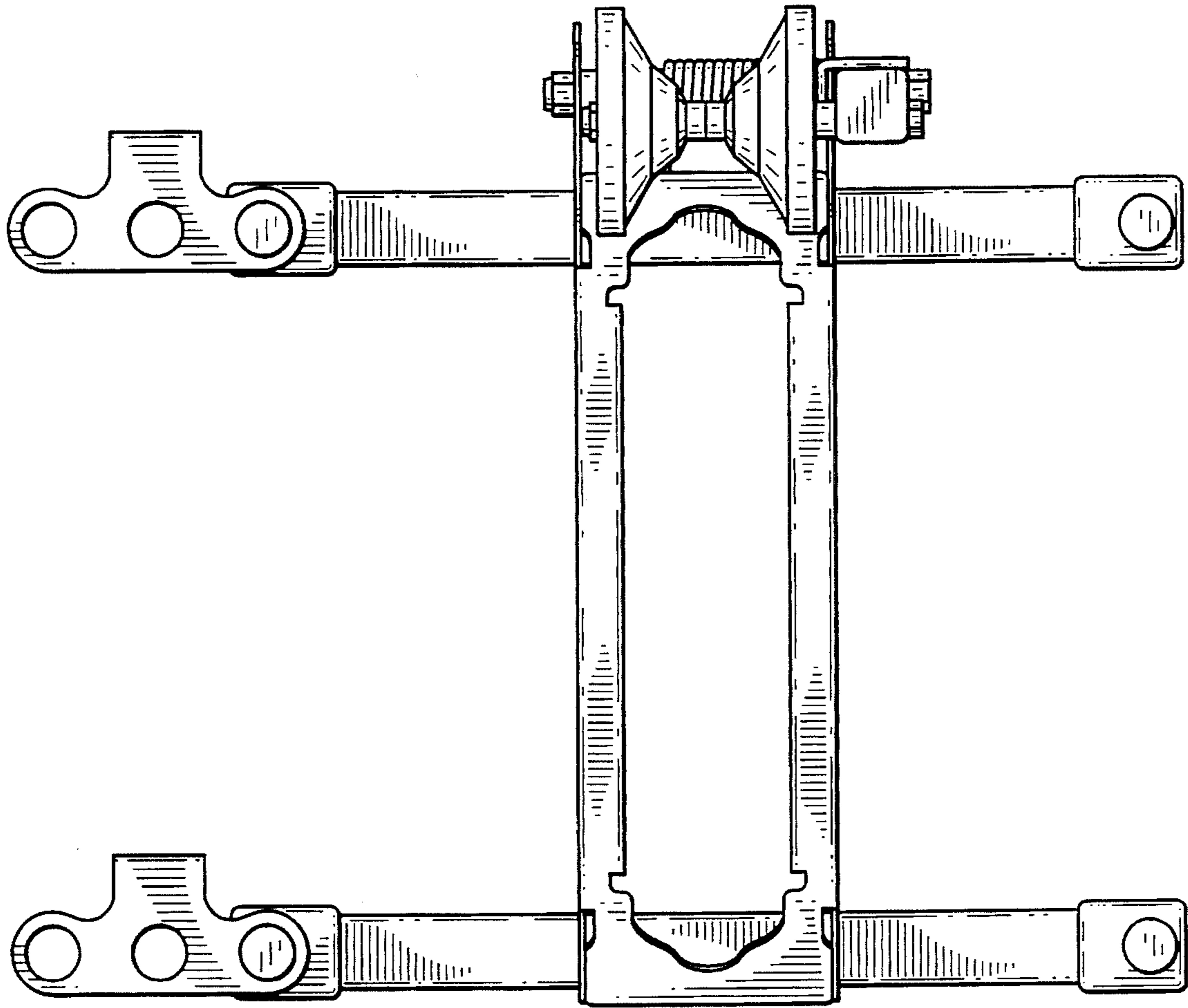


FIG. 6

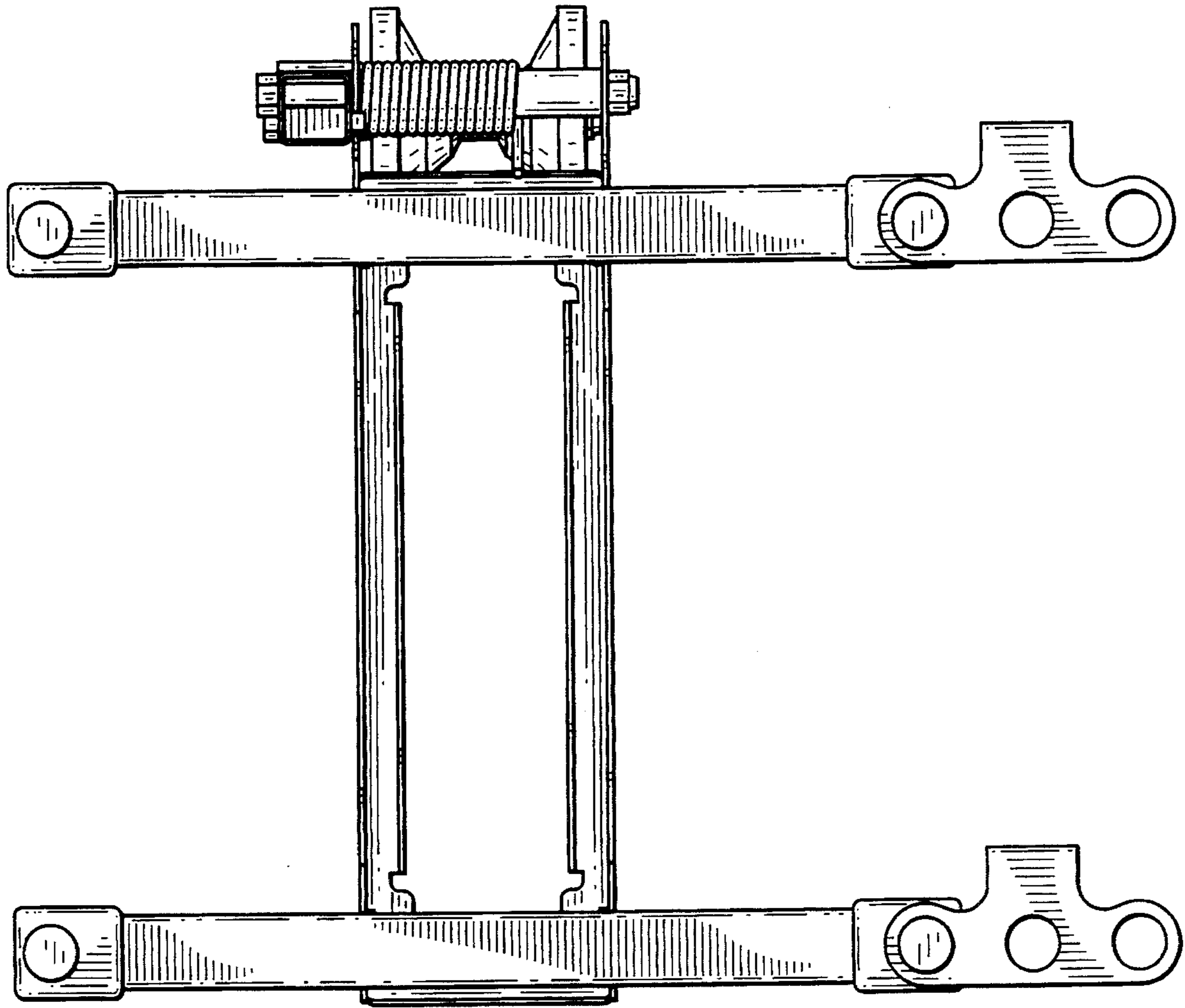


FIG. 7