



US00D372690S

United States Patent [19]

Nakai

[11] Patent Number: **Des. 372,690**

[45] Date of Patent: ****Aug. 13, 1996**

[54] **TRI-CYCLE FOR CHILD**

[75] Inventor: **Keiichi Nakai**, Tokyo, Japan

[73] Assignee: **Plus One Co., Ltd.**, Tokyo, Japan

[**] Term: **14 Years**

[21] Appl. No.: **31,613**

[22] Filed: **Dec. 1, 1994**

[30] **Foreign Application Priority Data**

May 31, 1994 [JP] Japan 6-15917

[52] U.S. Cl. **D12/113**

[58] Field of Search D12/112, 113;
280/282, 267, 259

[56] **References Cited**

U.S. PATENT DOCUMENTS

D. 149,413	4/1948	Jackson	D12/113
D. 159,103	6/1950	Smith	D12/113
D. 176,361	12/1955	Lines	D12/113
D. 304,813	11/1989	Kelly	D12/113
D. 310,983	10/1990	Goldmeier	D12/112
D. 313,579	1/1991	Disler	D12/112

FOREIGN PATENT DOCUMENTS

E2-522
687808 2/1992 Japan .

Primary Examiner—Melody N. Brown
Attorney, Agent, or Firm—Klauber & Jackson

[57] **CLAIM**

The ornamental design for a tri-cycle for child, as shown.

DESCRIPTION

FIG. 1 is a front elevational view, showing the tri-cycle for child of my new design;
 FIG. 2 is a rear view thereof;
 FIG. 3 is a top plan view thereof;
 FIG. 4 is a bottom view thereof;
 FIG. 5 is a right side view thereof;
 FIG. 6 is a left side view thereof;
 FIG. 7 is a front perspective view from the left side thereof;
 FIG. 8 is a rear perspective view from the right side thereof;
 FIG. 9 is a front perspective view from the left side thereof, with the bucket removed; and,
 FIG. 10 is a rear perspective view from the right side thereof, with the bucket removed.

1 Claim, 3 Drawing Sheets

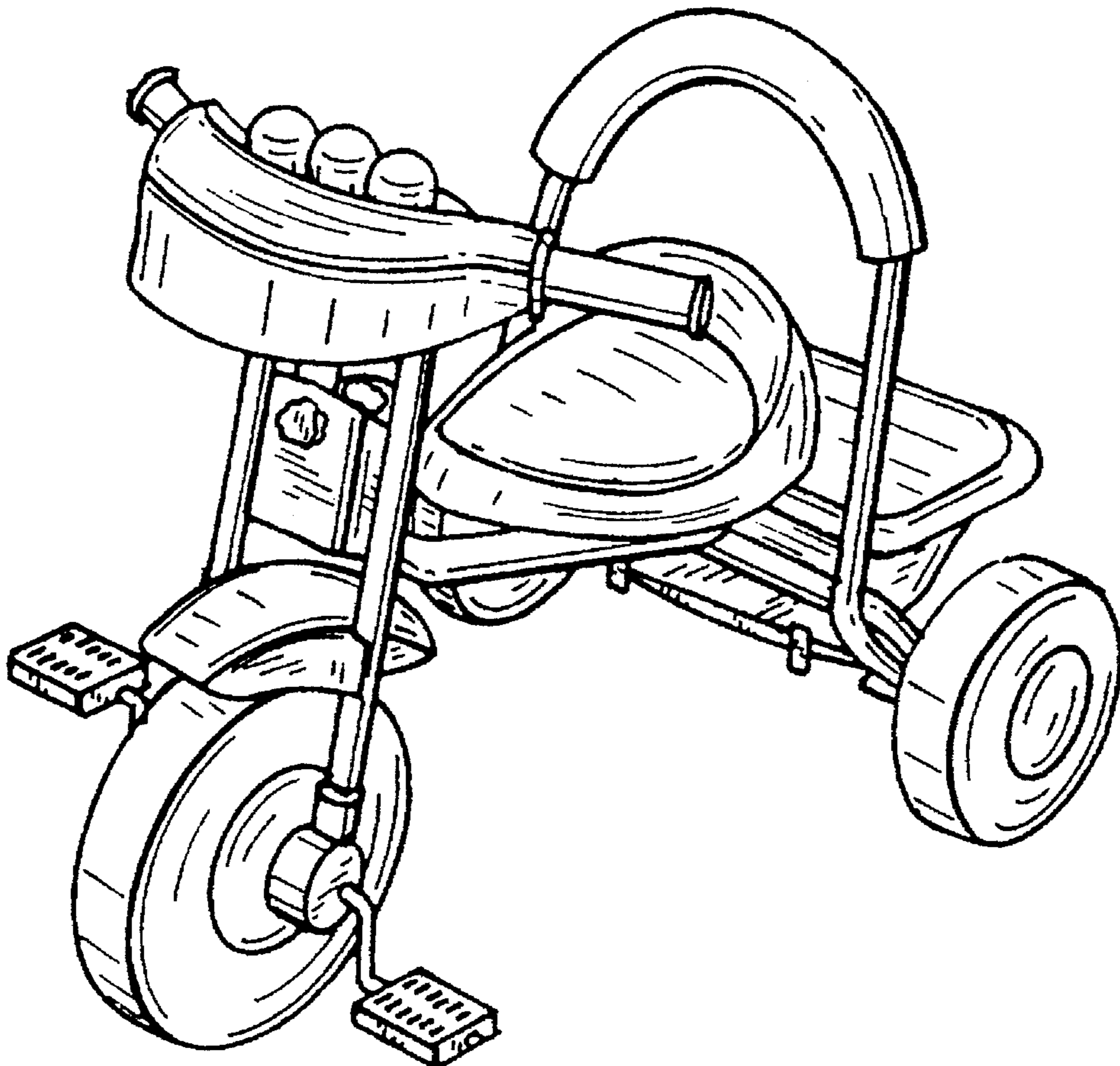


FIG. 1

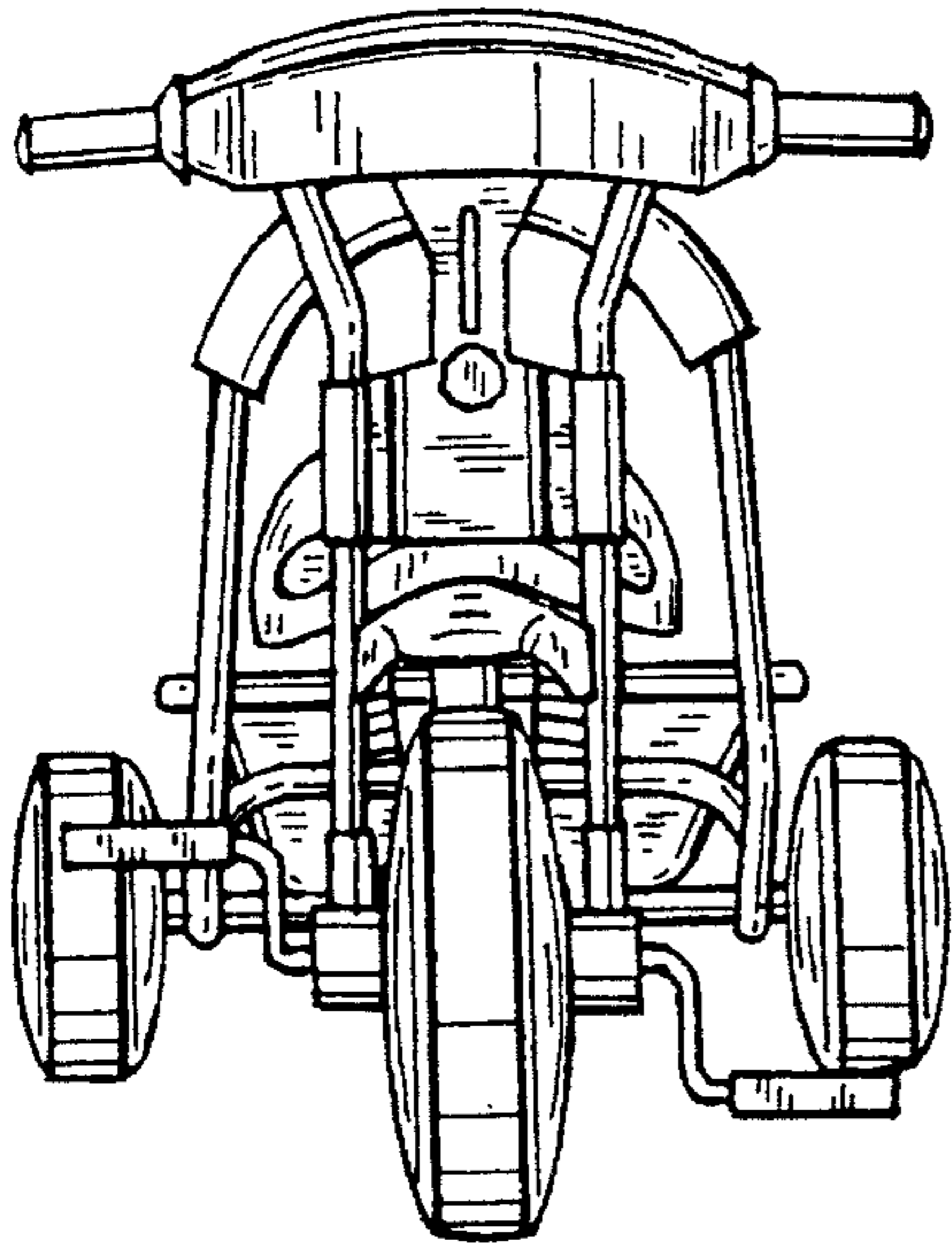


FIG. 2

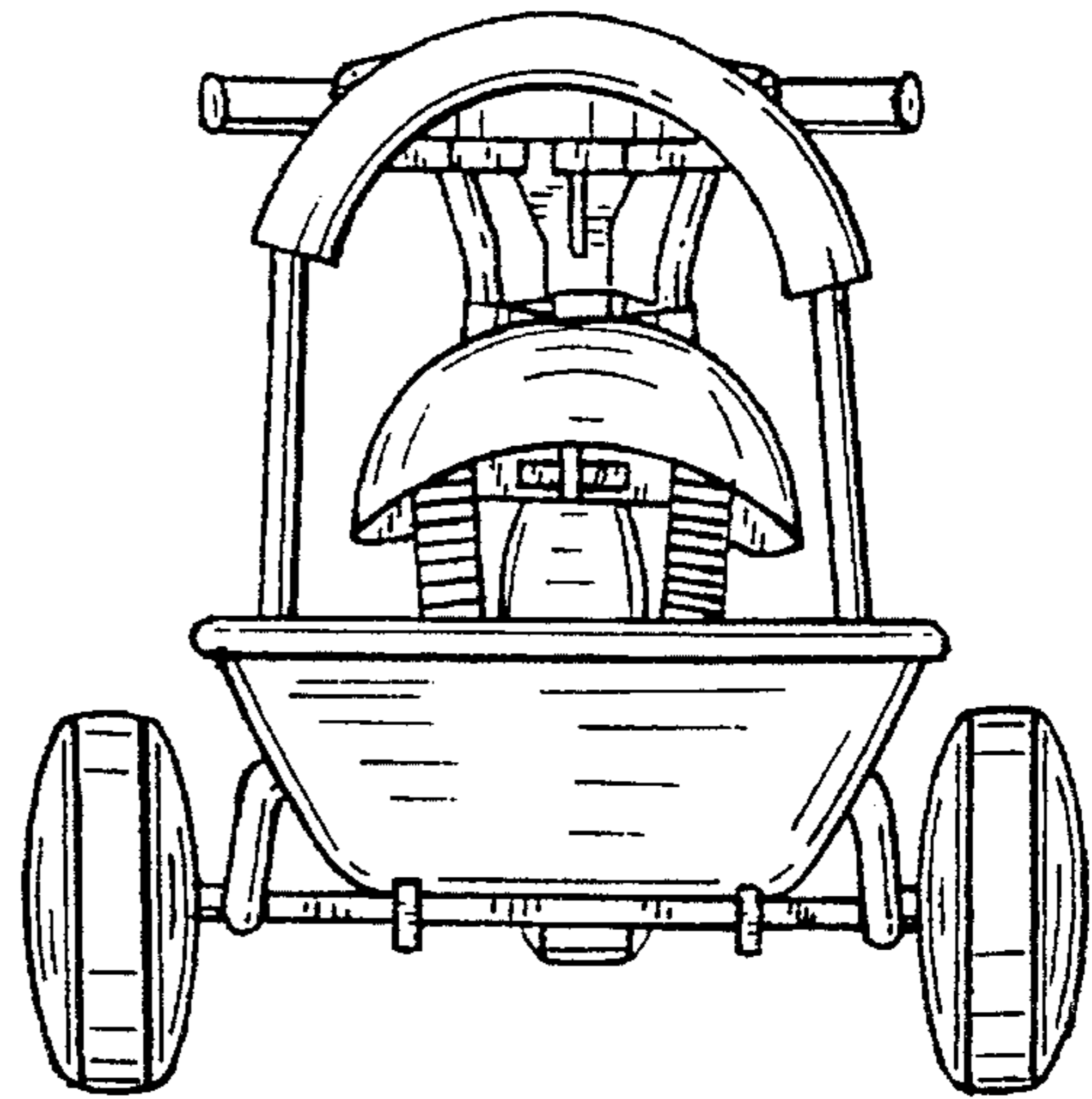


FIG. 3

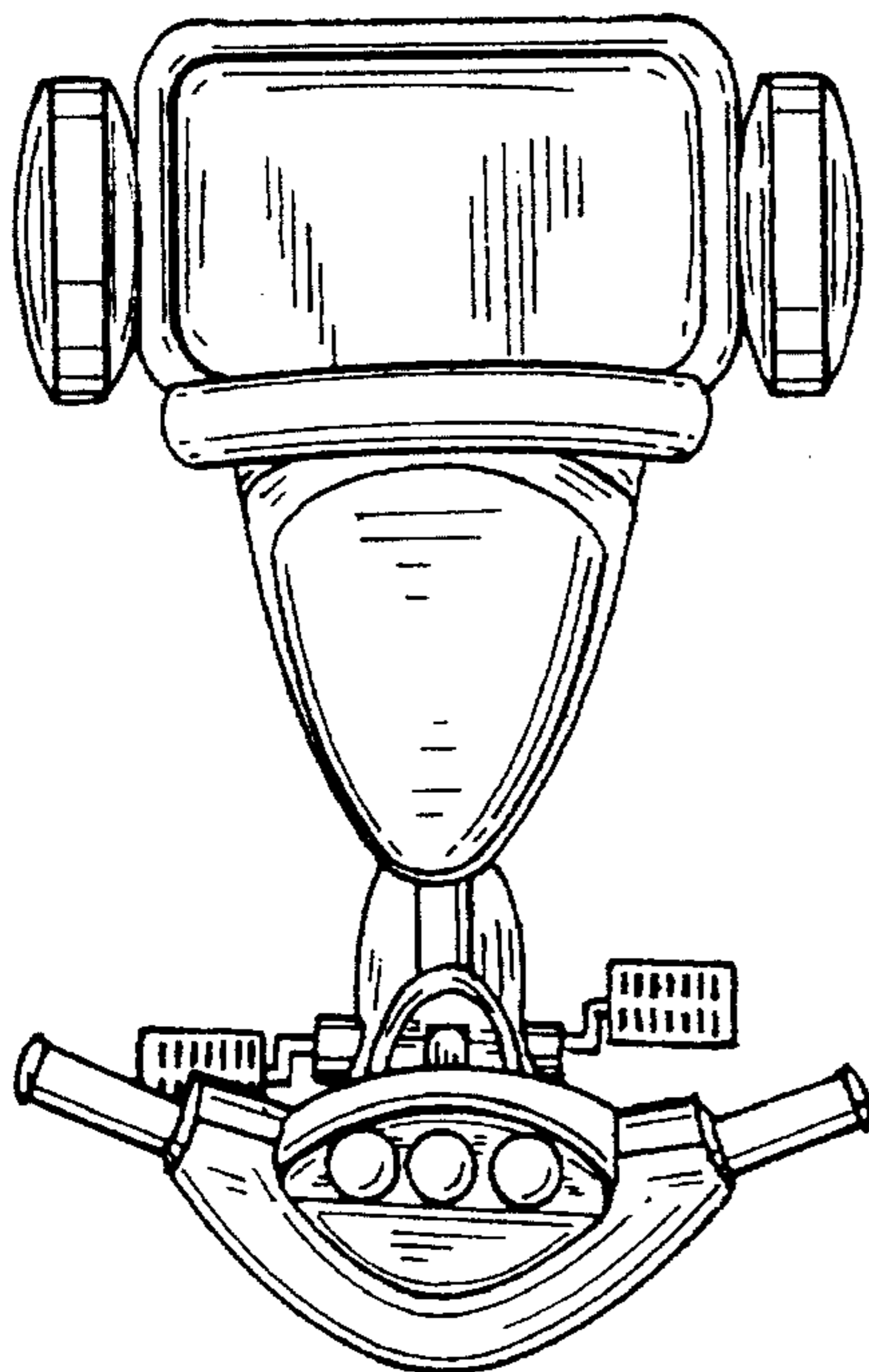


FIG. 4

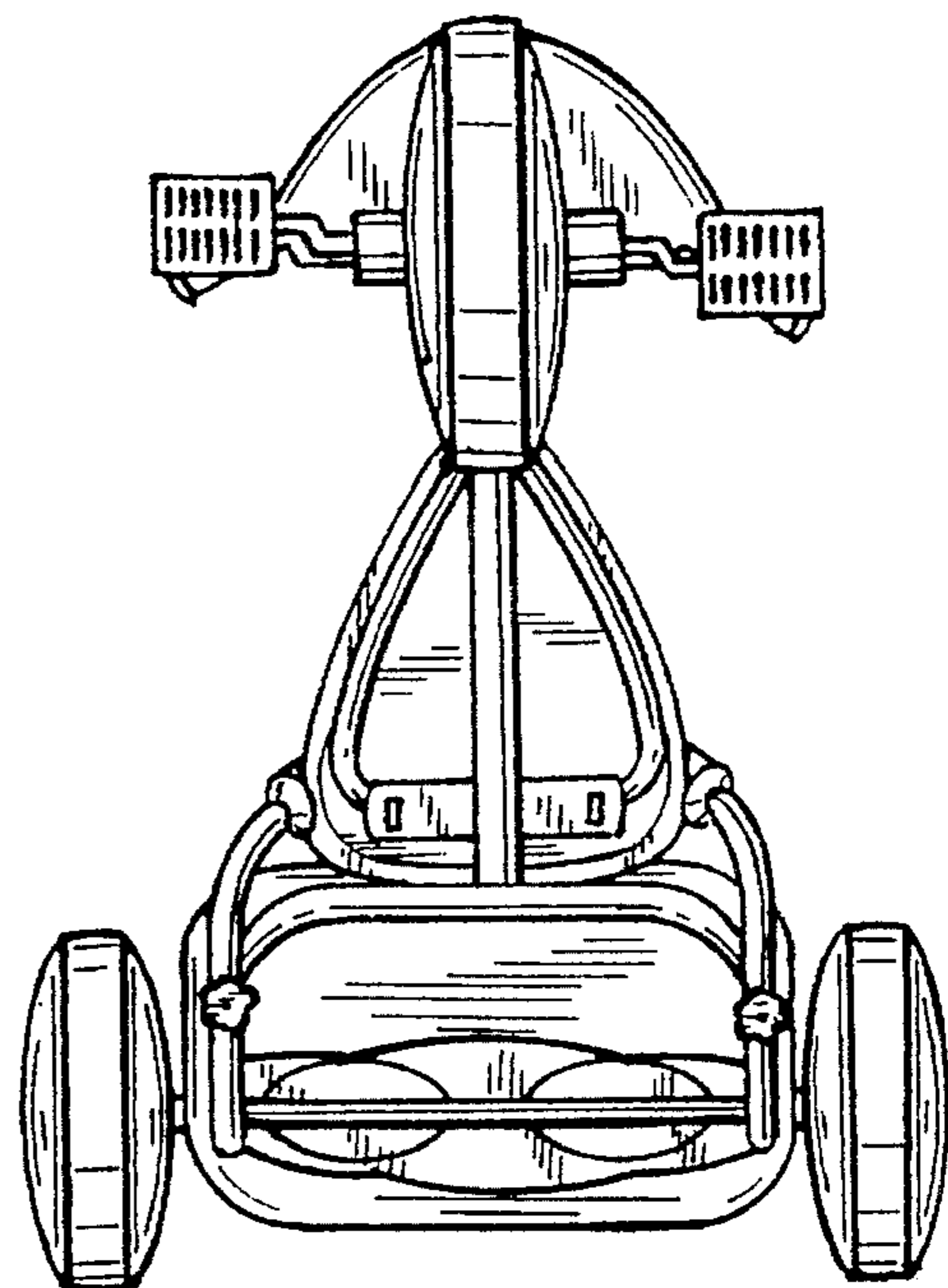


FIG. 5

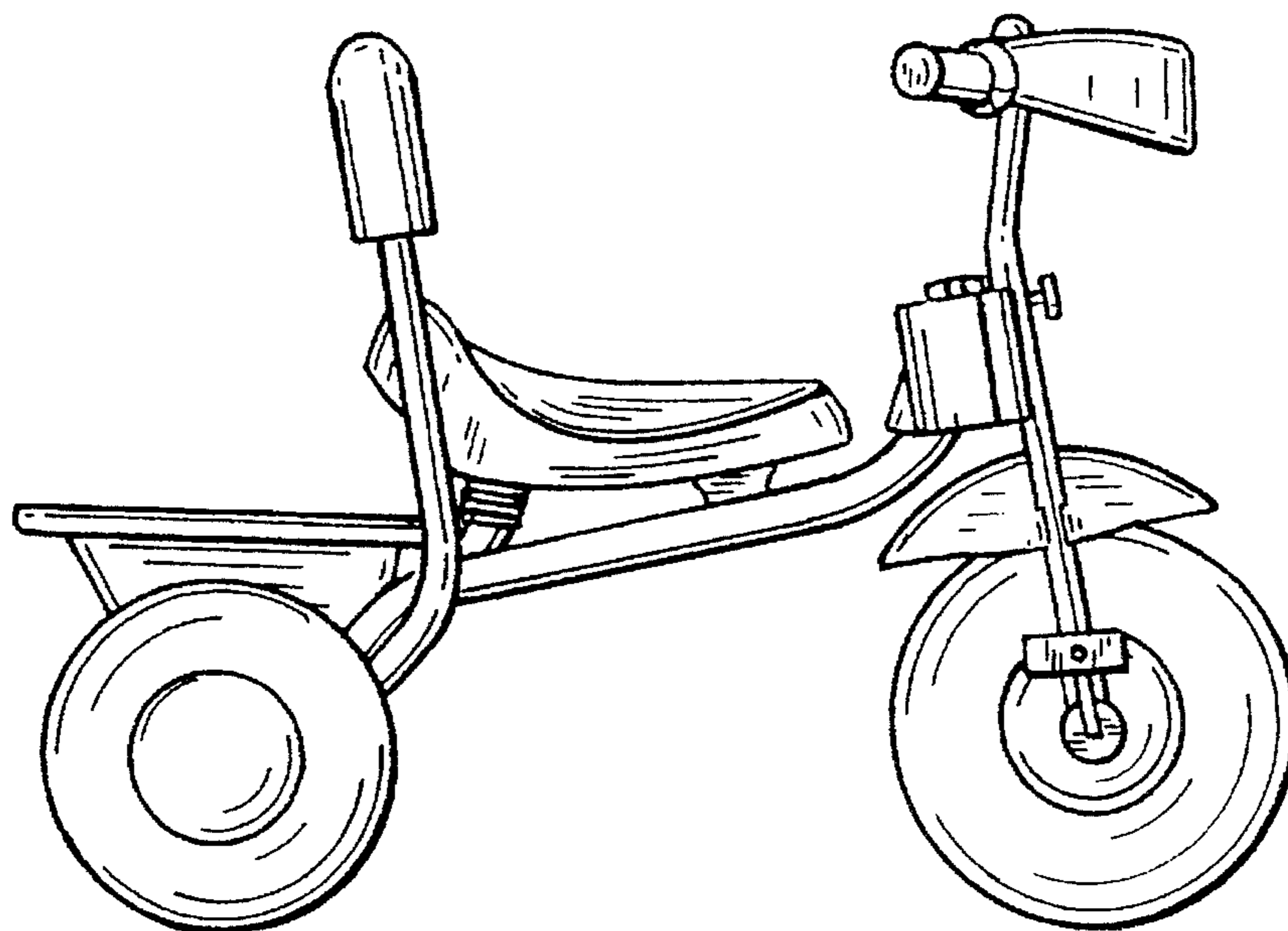


FIG. 6

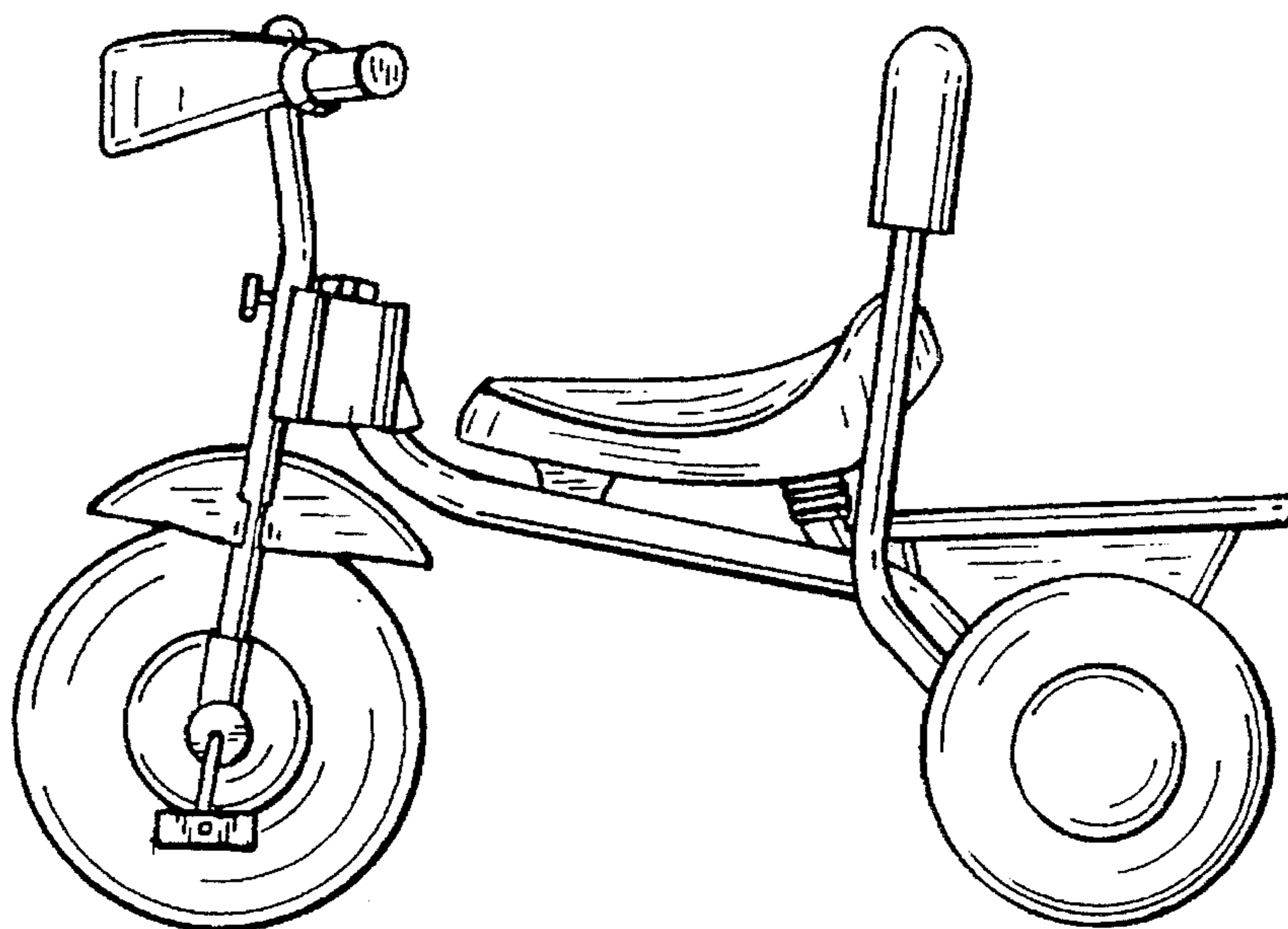


FIG. 7

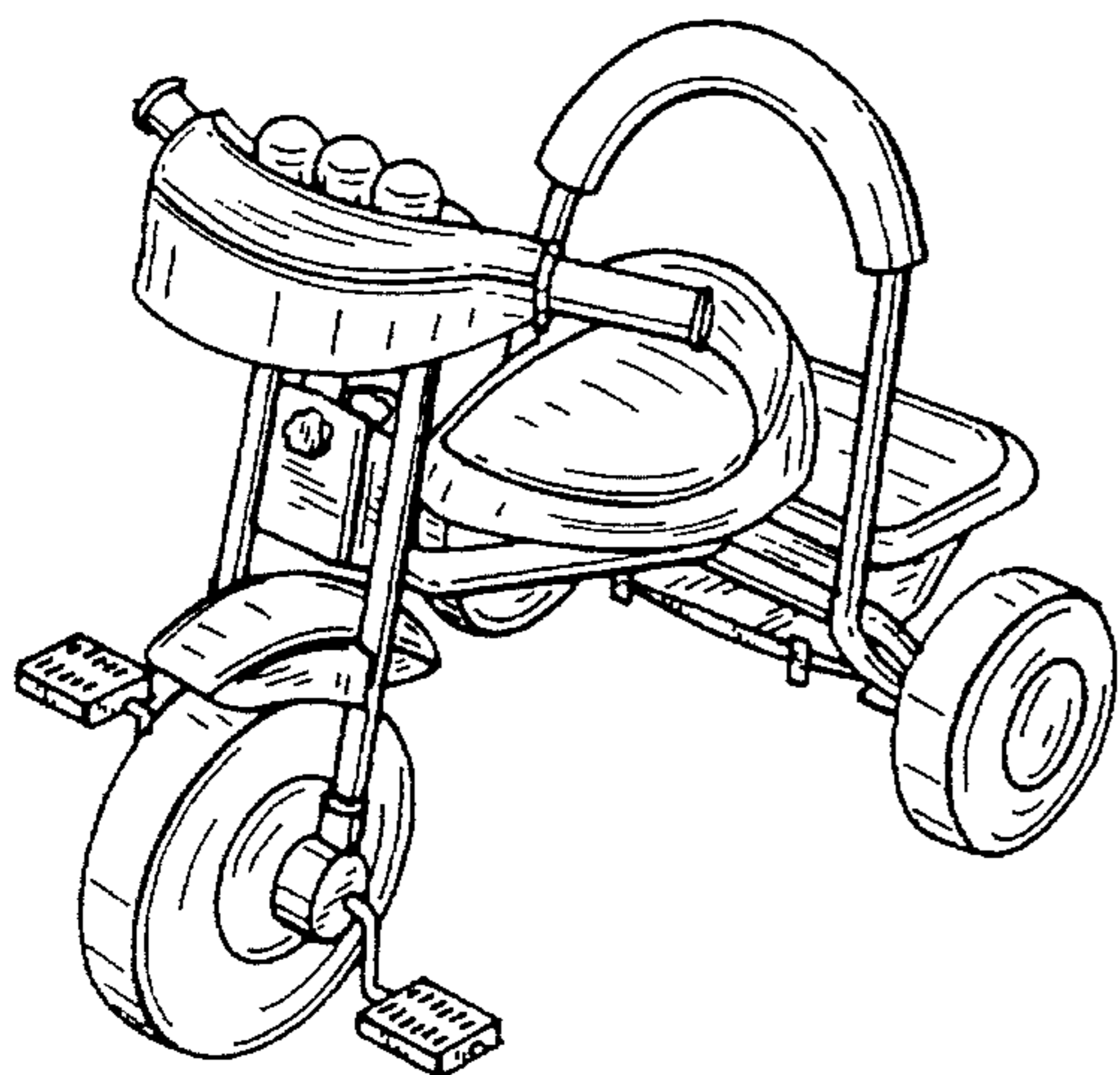


FIG. 8

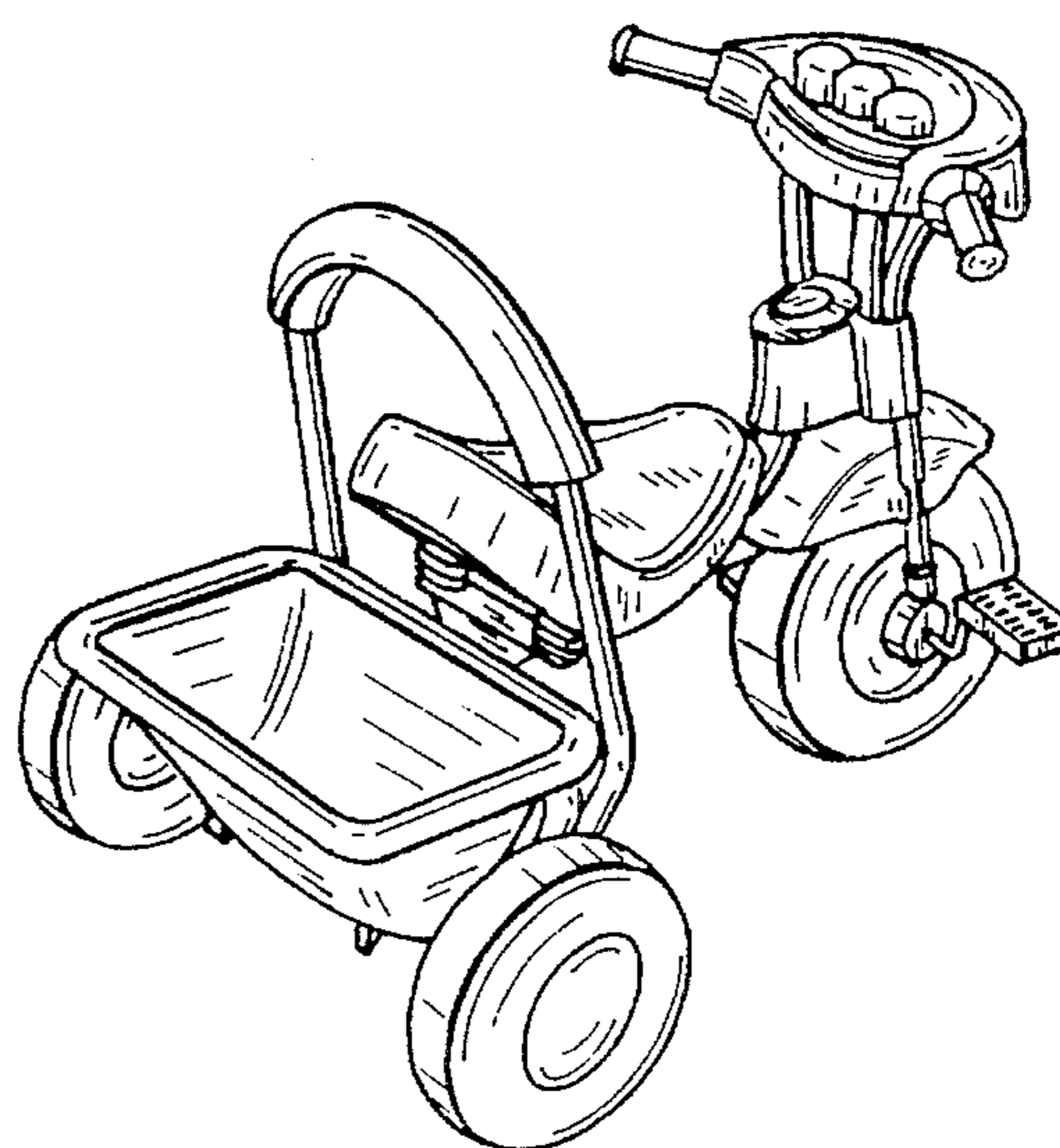


FIG. 9

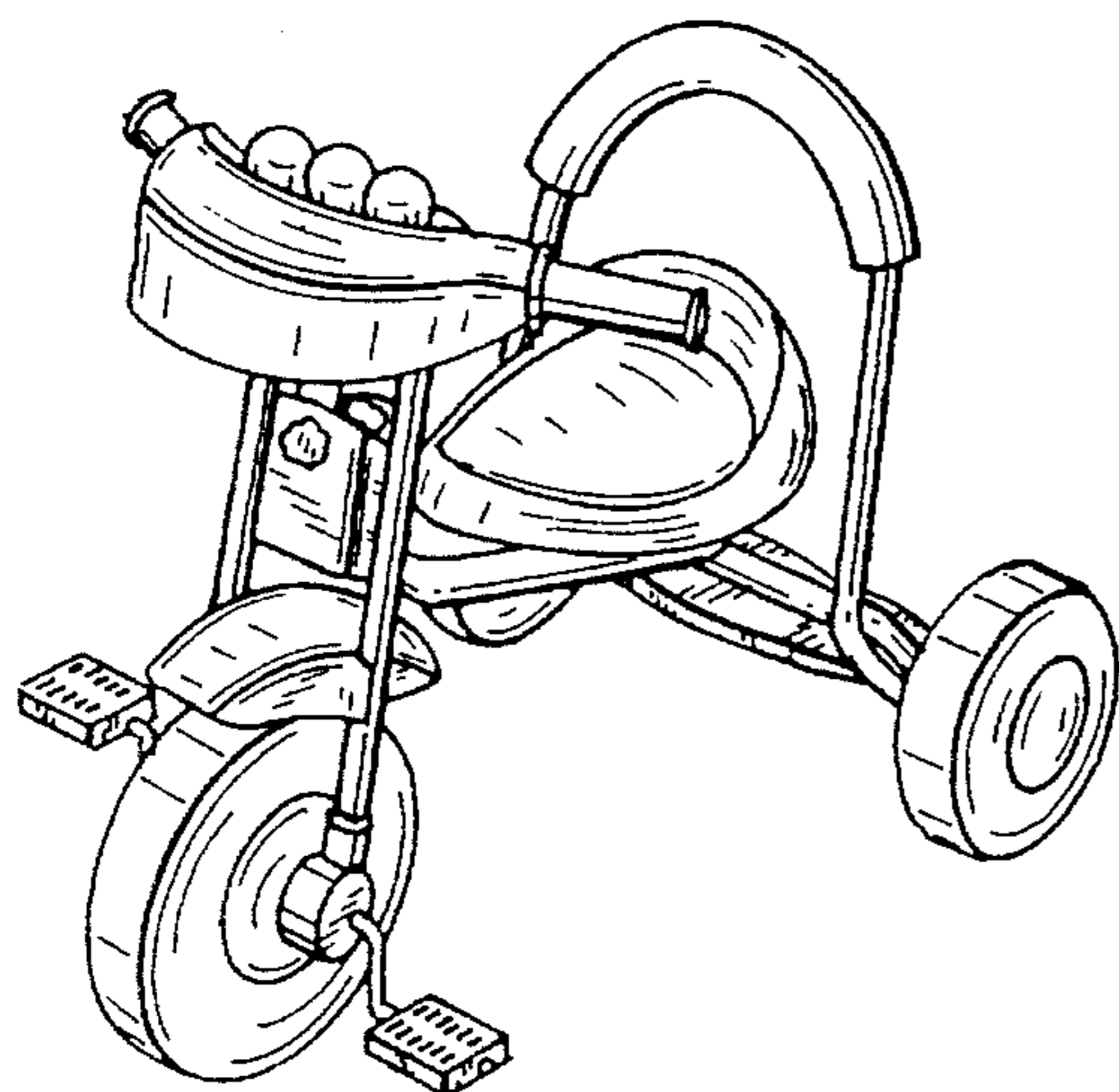


FIG. 10

