



US00D372683S

**United States Patent** [19]  
**Cohen**

[11] **Patent Number: Des. 372,683**  
[45] **Date of Patent: \*\*Aug. 13, 1996**

[54] **COWBOY SANTA ON A ROCKING HORSE**

*Primary Examiner—Dominic Simone*  
*Attorney, Agent, or Firm—Martin Smolowitz*

[75] Inventor: **Seymour Cohen**, Jericho, N.Y.

[73] Assignee: **Telco Cretions, Inc.**, Hicksville, N.Y.

[57] **CLAIM**

[\*\*] Term: **14 Years**

The ornamental design of a cowboy santa on a rocking horse, as shown and described.

[21] Appl. No.: **43,278**

[22] Filed: **Aug. 30, 1995**

[52] U.S. Cl. .... **D11/129; D11/121; D21/179**

[58] Field of Search ..... **D11/121, 129, D11/160; D21/179; 40/411-420**

**DESCRIPTION**

FIG. 1 is a top front and left side perspective view of the cowboy santa on a rocking horse showing my new design;

FIG. 2 is a top plan view thereof;

FIG. 3 is a front elevational view thereof;

FIG. 4 is a right side elevational view thereof;

FIG. 5 is a left side elevational view thereof;

FIG. 6 is a rear elevational view thereof; and,

FIG. 7 is a bottom plan view thereof.

[56] **References Cited**

**U.S. PATENT DOCUMENTS**

D. 155,477	10/1949	Brown	.....	D11/129 X
D. 283,147	3/1986	Yang	.....	D11/129 X
D. 356,053	3/1995	Engelke	.....	D11/129 X
D. 360,165	7/1995	Cohen	.....	D11/129
3,159,935	12/1964	Rubens	.....	D11/129 X

**OTHER PUBLICATIONS**

The Faith Mountain Co. Catalog; 1987; Cover; Santa Clause Figurine.  
Oriental Trading Co. Inc.; 1973; p. 16; #2/309 "Santa at Work" Figurine.

**1 Claim, 5 Drawing Sheets**



*FIG. 1*



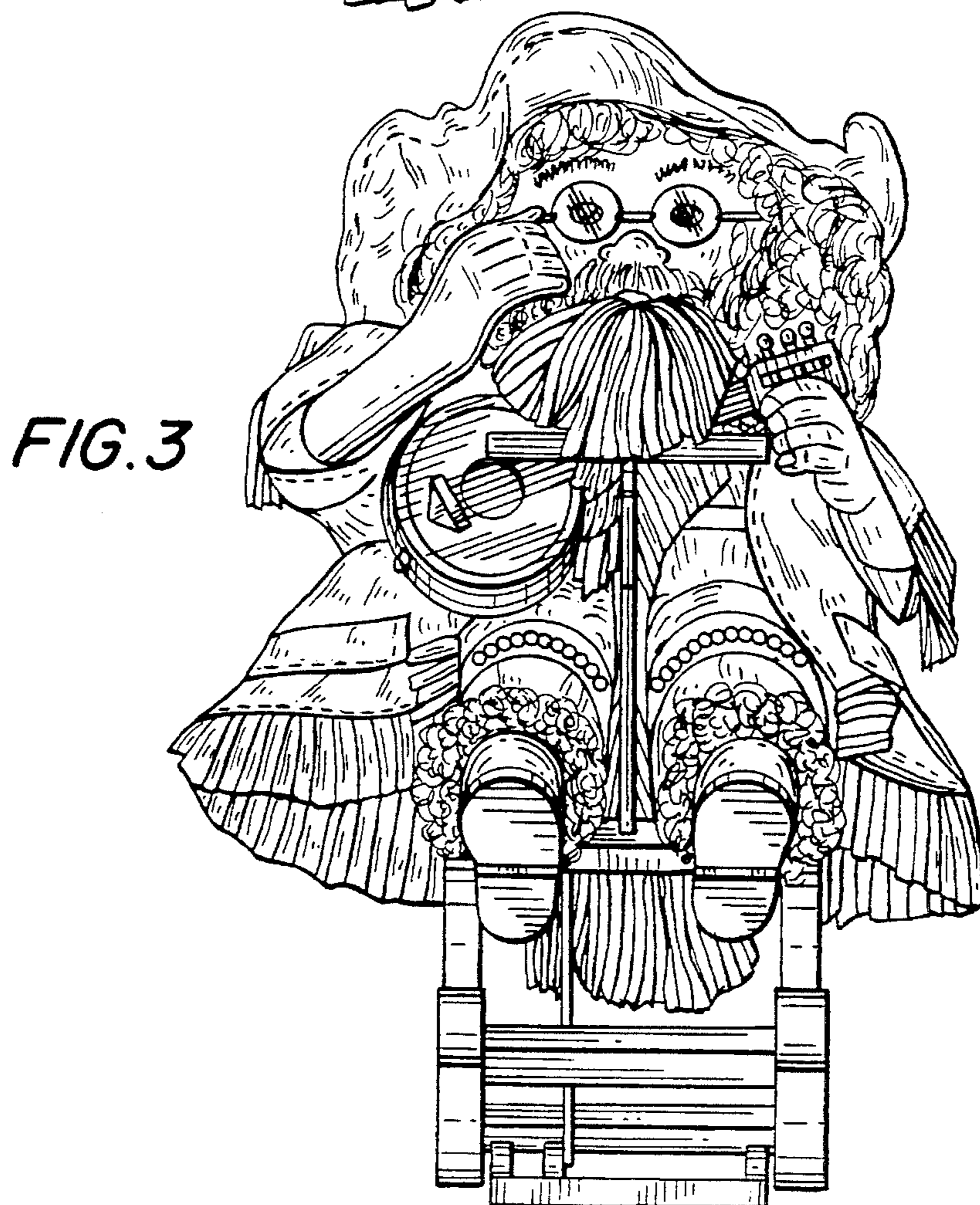
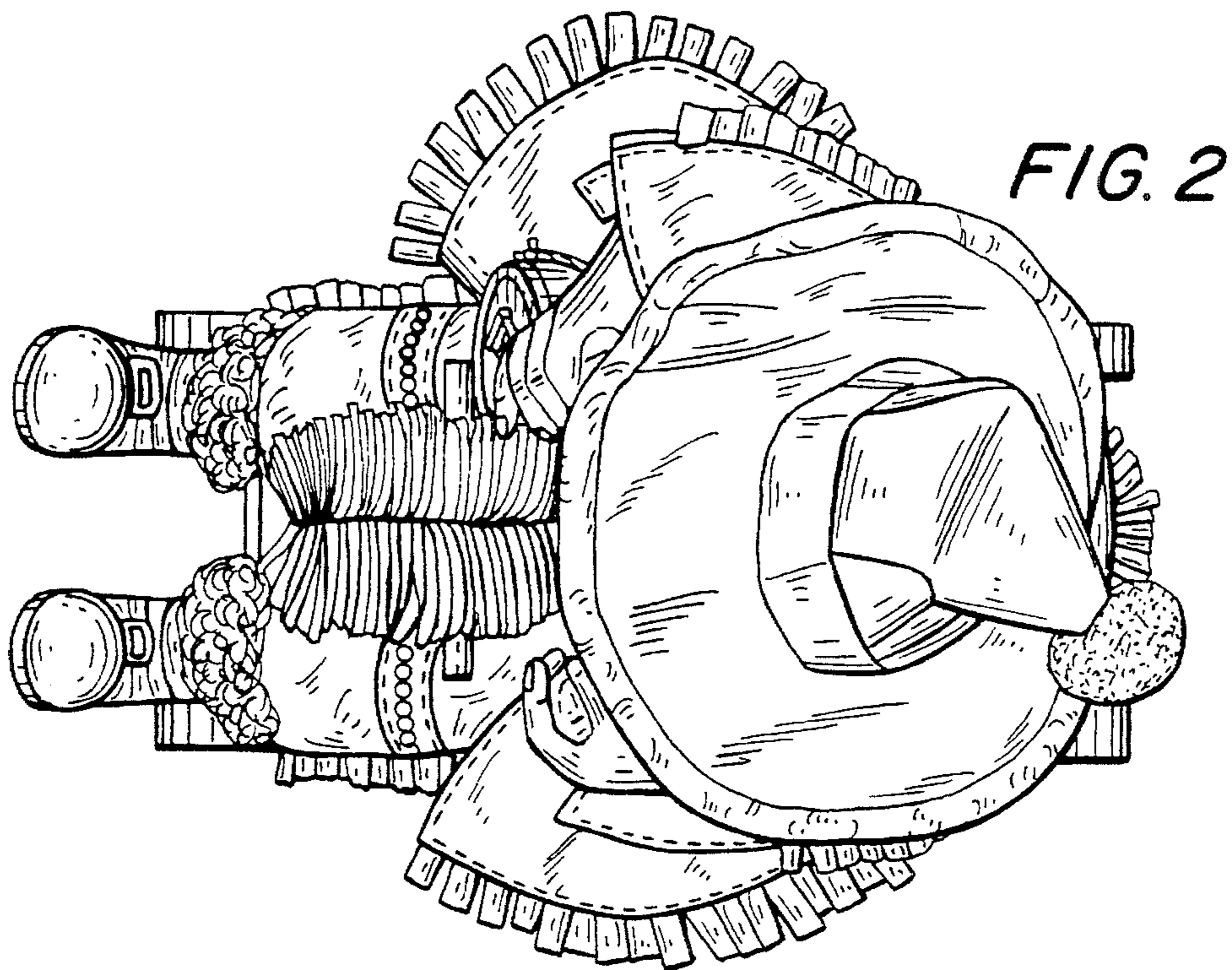


FIG. 4



*FIG. 5*



FIG. 6

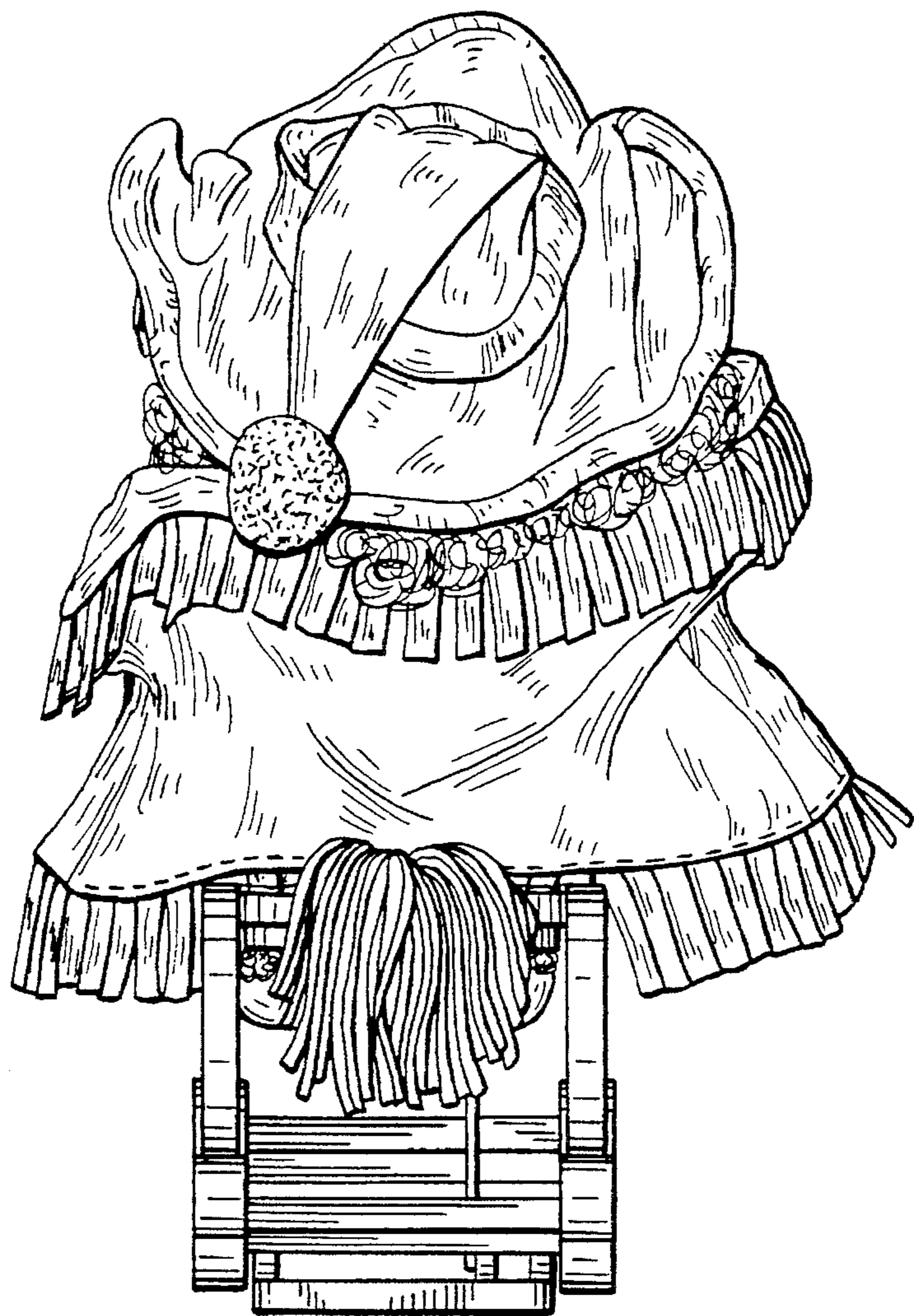


FIG. 7

