



US00D372670S

United States Patent [19] Healey

[11] Patent Number: **Des. 372,670**

[45] Date of Patent: ****Aug. 13, 1996**

[54] **PACKAGE**

[76] Inventor: **Frederick A. Healey**, 618 Kellogg,
Plymouth, Mich. 48170

[**] Term: **14 Years**

[21] Appl. No.: **22,387**

[22] Filed: **May 4, 1994**

[52] U.S. Cl. **D9/346; D9/433**

[58] Field of Search D9/346, 433, 432,
D9/423, 337; 206/424, 491, 492, 472, 450,
453; 229/165, 167

[56] **References Cited**

U.S. PATENT DOCUMENTS

D. 339,287	9/1993	Levin	D9/346
3,250,455	5/1966	Plunkett	206/424 X
3,368,735	2/1968	Levi	206/424
3,516,593	6/1970	Larsen	206/424
3,713,577	1/1973	Skinner	206/424
3,834,610	9/1974	Elfrid	206/424 X
4,300,679	11/1981	Benzschawel et al.	206/424
4,450,965	5/1984	Paillet	229/167 X

OTHER PUBLICATIONS

Packaging Cat, 1959, p. 284, Item #989.

Primary Examiner—Prabhakar G. Deshmukh
Attorney, Agent, or Firm—Weintraub DuRoss & Brady

[57] **CLAIM**

The ornamental design for a package, as shown and described.

DESCRIPTION

FIG. 1 is a perspective view of the package with a portion of the flaps being unfolded, showing my new design;

FIG. 2 is a top plan view thereof with all the flaps being unfolded;

FIG. 3 is a top plan view thereof with portion of the flaps being folded;

FIG. 4 is a left side elevational view of FIG. 3;

FIG. 5 is a right side elevational view of FIG. 3;

FIG. 6 is a front end elevational view of FIG. 3;

FIG. 7 is a rear elevational view of FIG. 3;

FIG. 8 is a bottom plan view of FIG. 3; and,

FIG. 9 is a perspective view thereof with all the flaps in a folded position.

The broken lines represent fold lines.

1 Claim, 3 Drawing Sheets

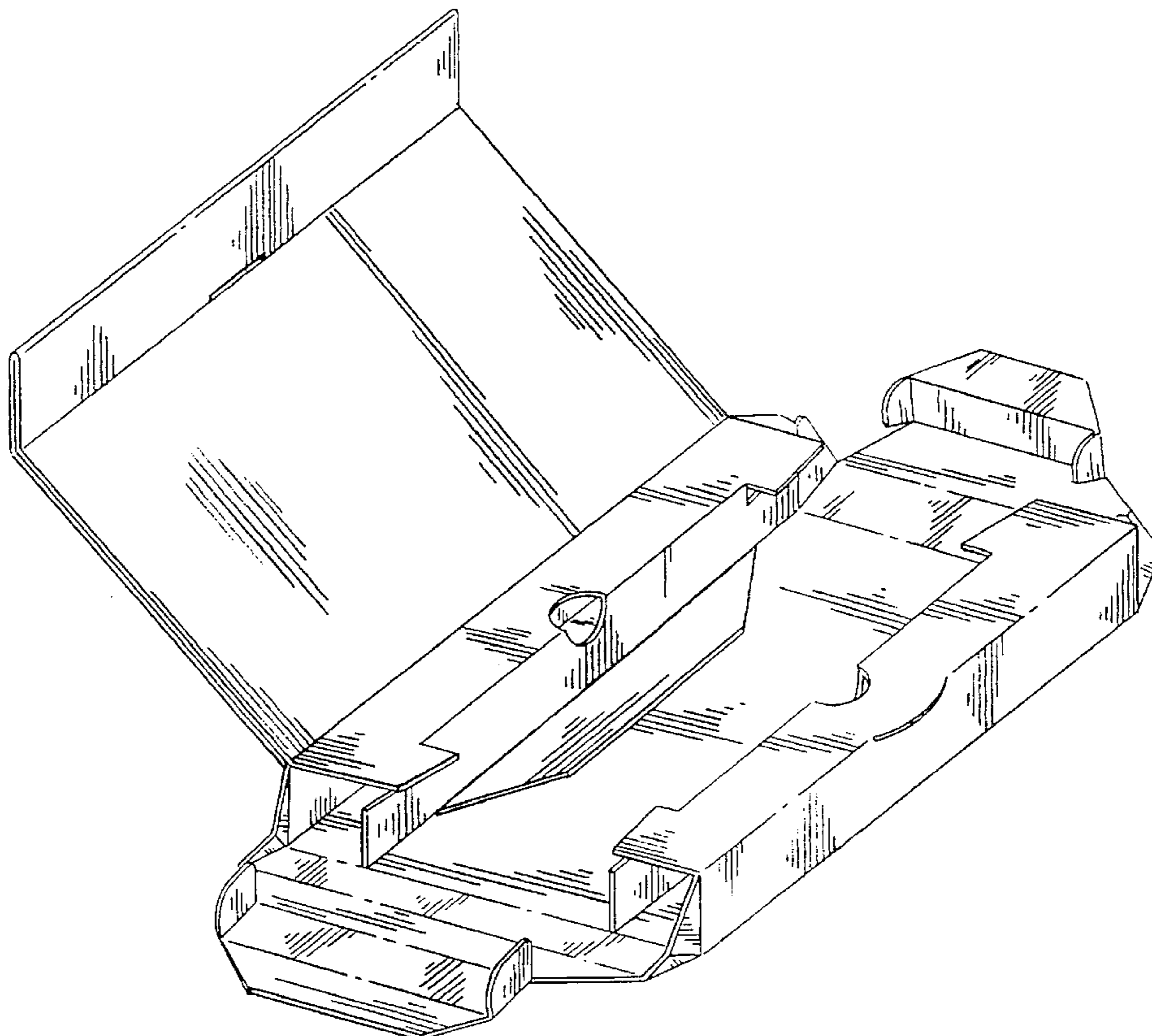


FIG 1

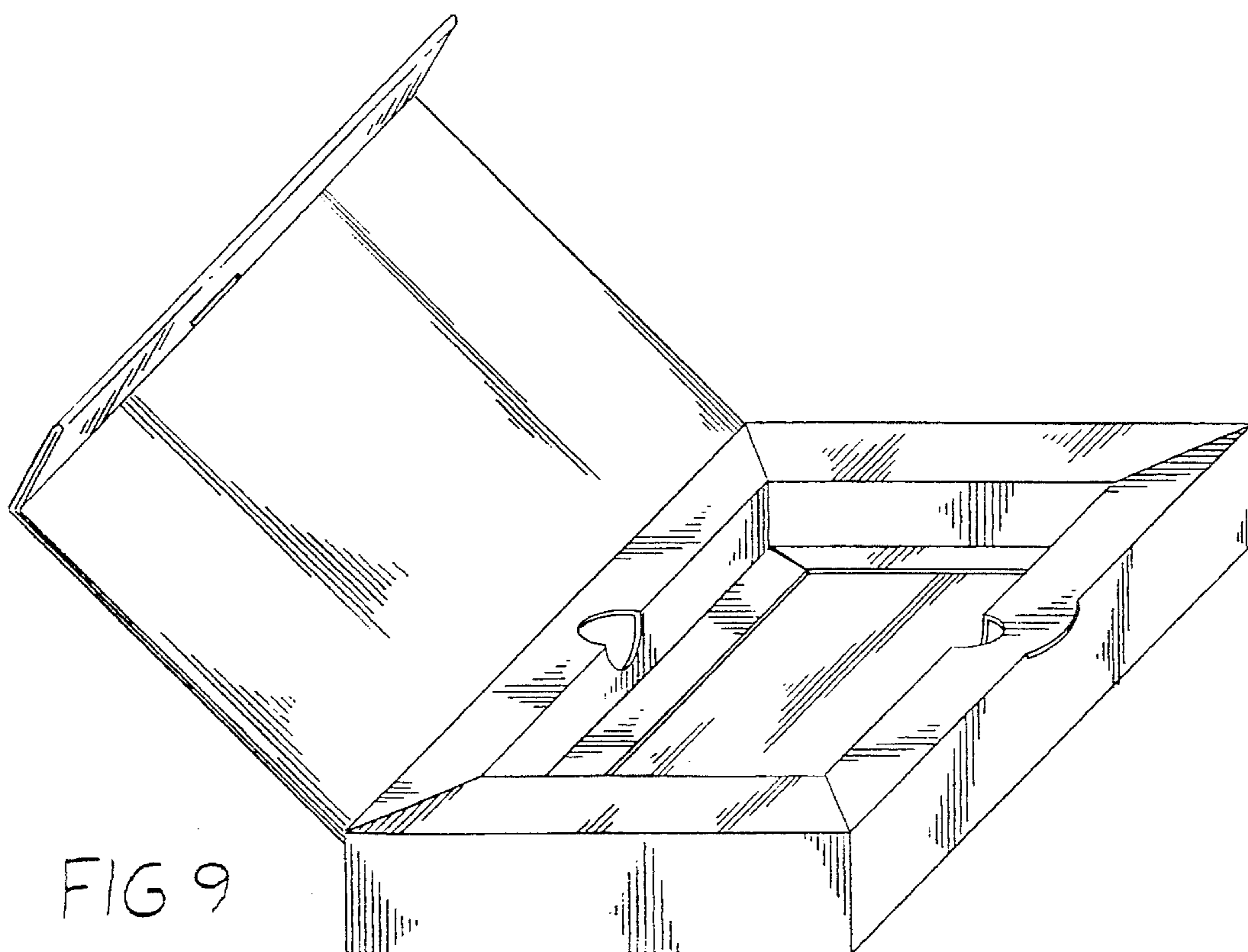
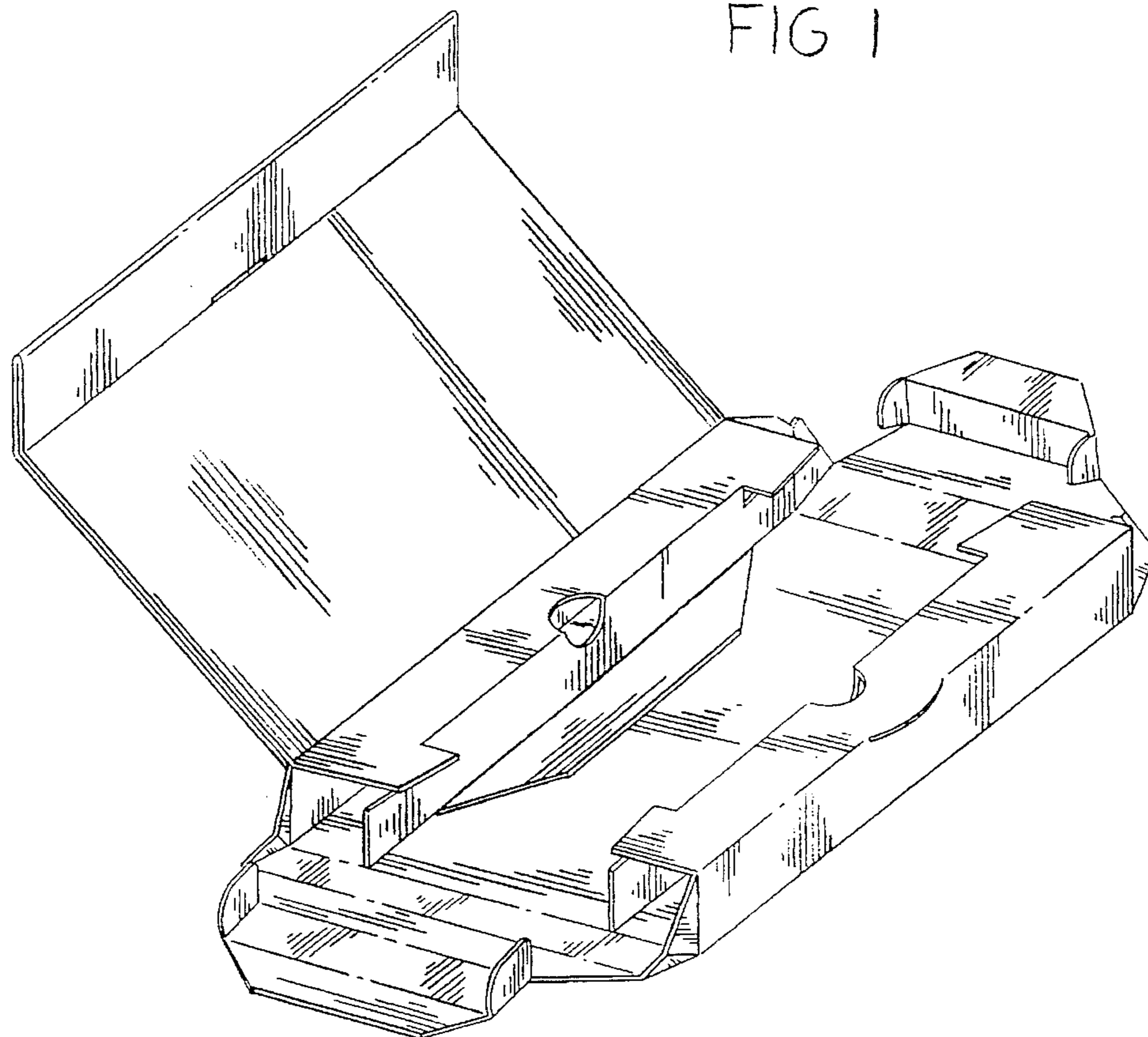


FIG 9

FIG 2

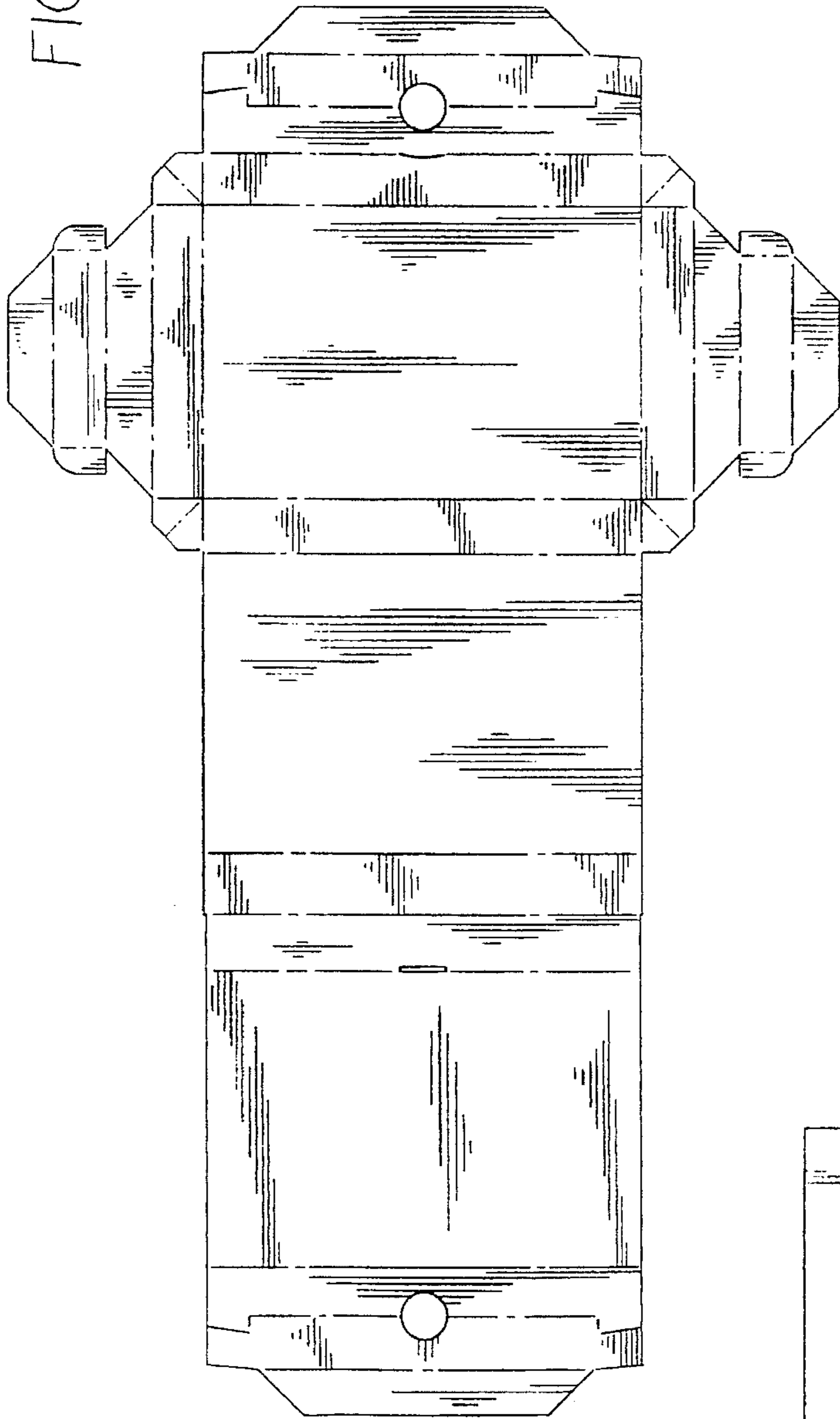


FIG 8

