



US00D372669S

United States Patent [19]

Mazda

[11] Patent Number: Des. 372,669

[45] Date of Patent: **Aug. 13, 1996

[54] **BELLOWS CONTAINER**

[76] Inventor: **Masayosi Mazda**, No. 70, 3 Chome Ohno-cho, Kakamihara Gifu 504, Japan

[**] Term: **14 Years**

[21] Appl. No.: **25,444**

[22] Filed: **Jun. 30, 1994**

[30] **Foreign Application Priority Data**

May 10, 1994 [JP] Japan 6-13335

[52] U.S. Cl. **D9/301**

[58] Field of Search D9/301, 302, 500; 215/1 R, 1 C; 220/666, 669

[56] **References Cited**

U.S. PATENT DOCUMENTS

D. 229,034	11/1973	Miller	D9/301
D. 246,028	10/1977	McNab	D9/500
2,441,649	5/1948	Sprague	222/92
3,143,429	8/1964	Swanson et al.	D9/301 X
3,939,887	2/1976	Scarnato	220/666
3,939,888	2/1976	Scarnato	220/666

OTHER PUBLICATIONS

Strawbridge & Clothier, May 1960, p. 2, (Accordion Gift Container; Item 2D).
Starcrest of California, Bellow Bottles.

Primary Examiner—Prabhakar G. Deshmukh
Assistant Examiner—Cheri Cohen
Attorney, Agent, or Firm—W. Thad Adams III, P.A.

[57] **CLAIM**

The ornamental design for a bellows container, as shown and described.

DESCRIPTION

FIG. 1 is a perspective view of a bellows container showing my new design;

FIG. 2 is a front elevation view thereof, the opposite side being identical;

FIG. 3 is a top plan view thereof;

FIG. 4 is a bottom plan view thereof;

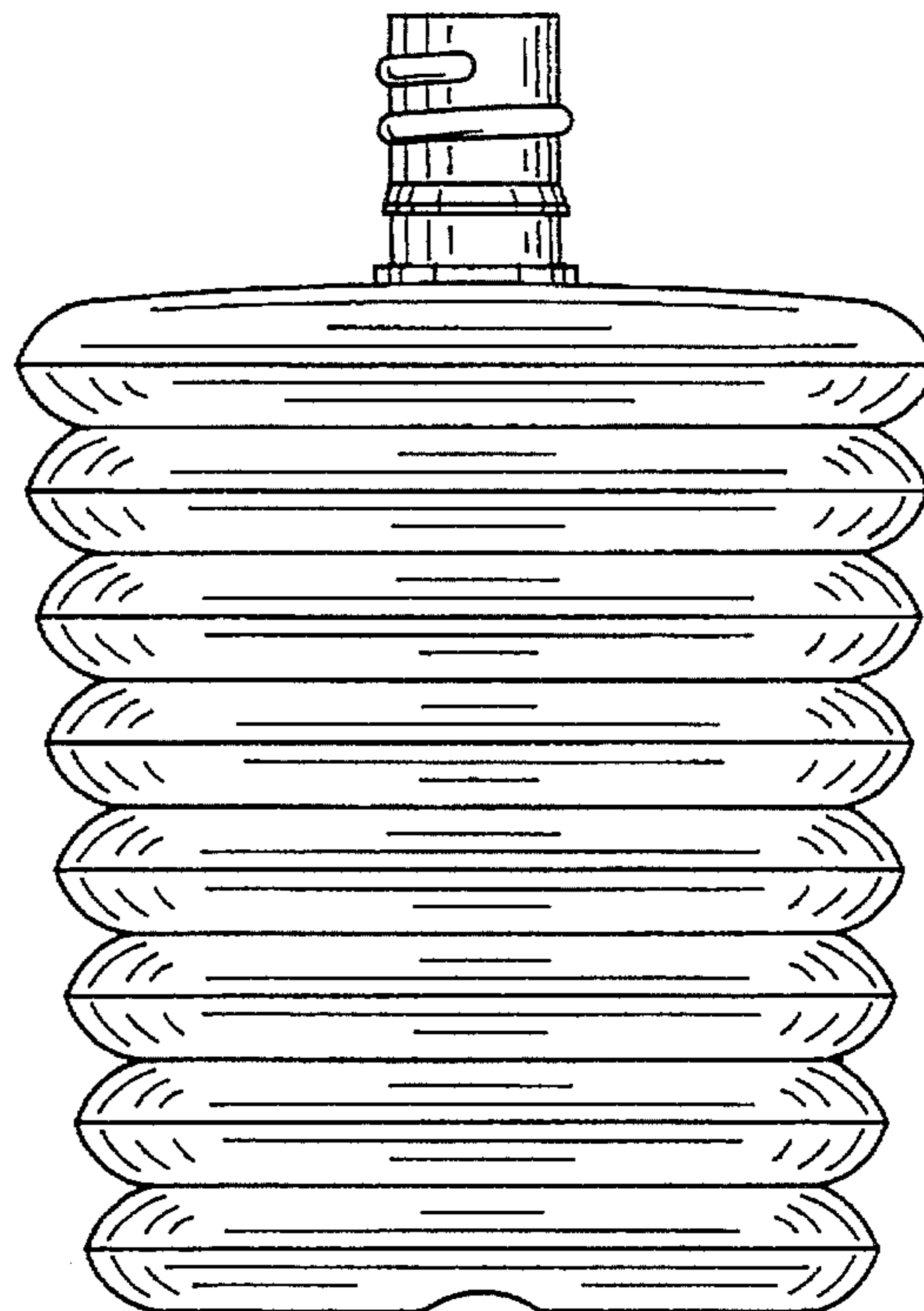
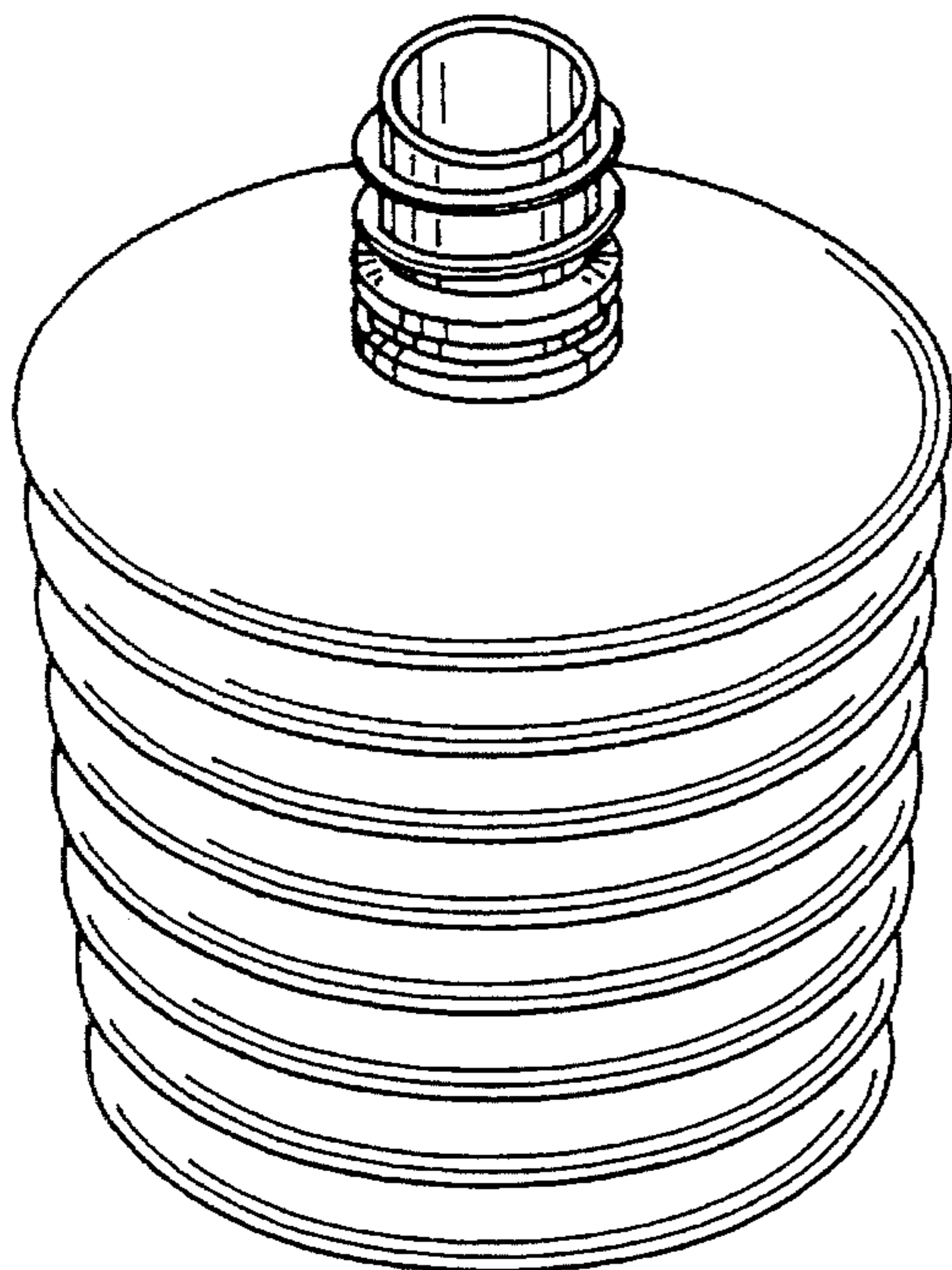
FIG. 5 is a left side elevational view thereof, the opposite side being identical;

FIG. 6 is a front elevation view of the container pressed vertically;

FIG. 7 is a side elevation view thereof; and,

FIG. 8 is a sectional view of the container taken along line 8—8 of FIG. 2.

1 Claim, 5 Drawing Sheets



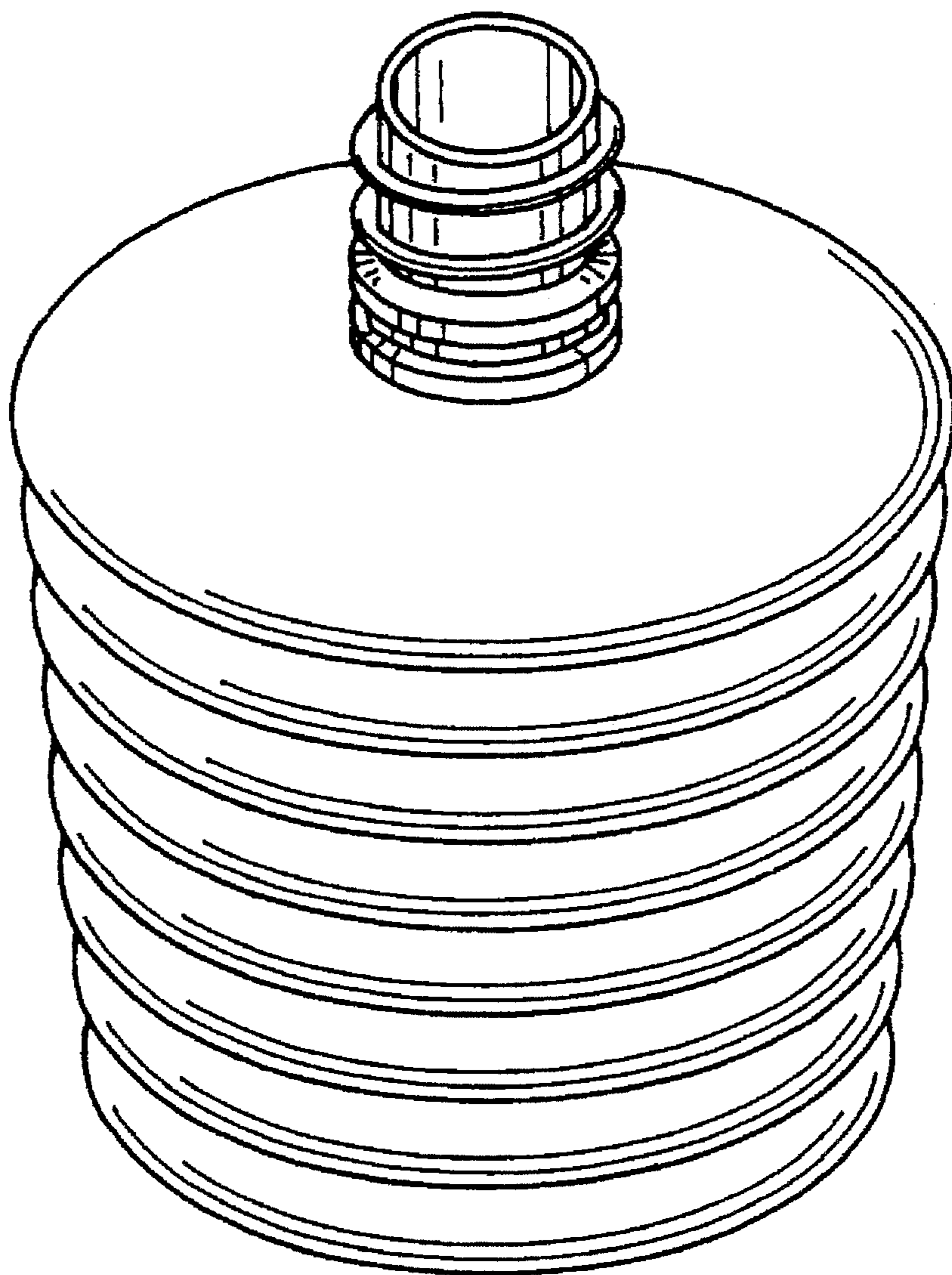


FIG. 1

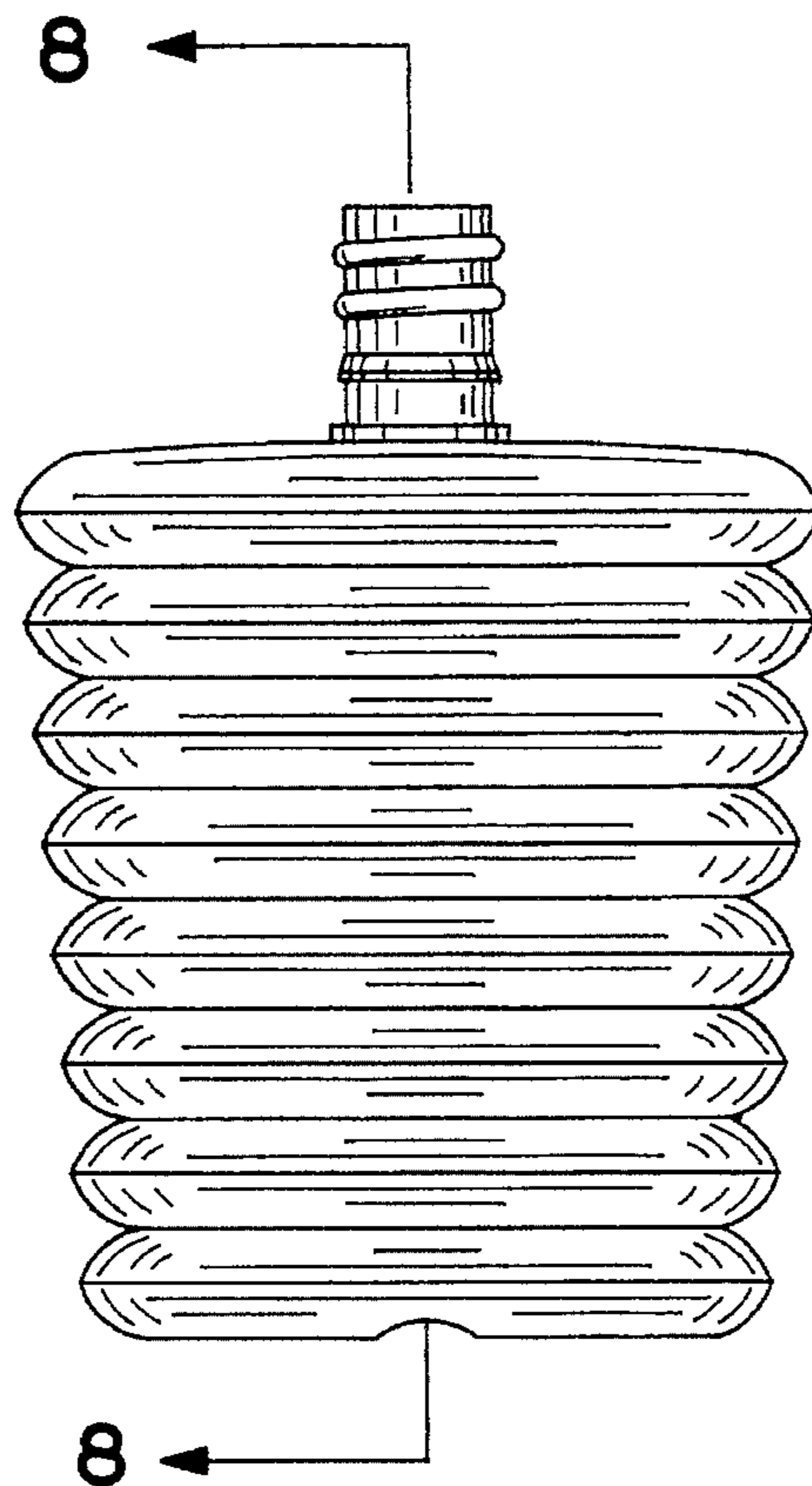


FIG. 2

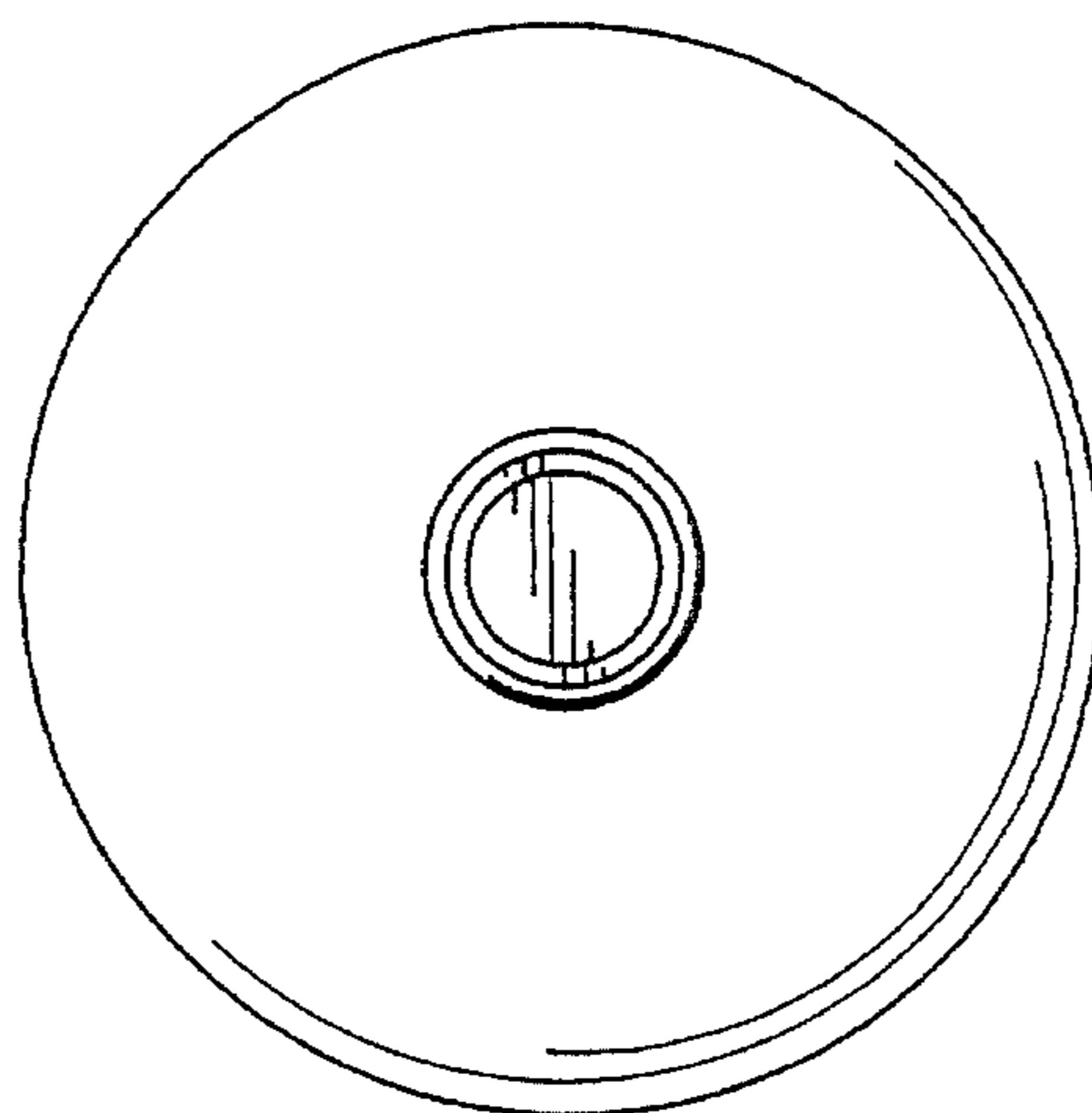


FIG. 3

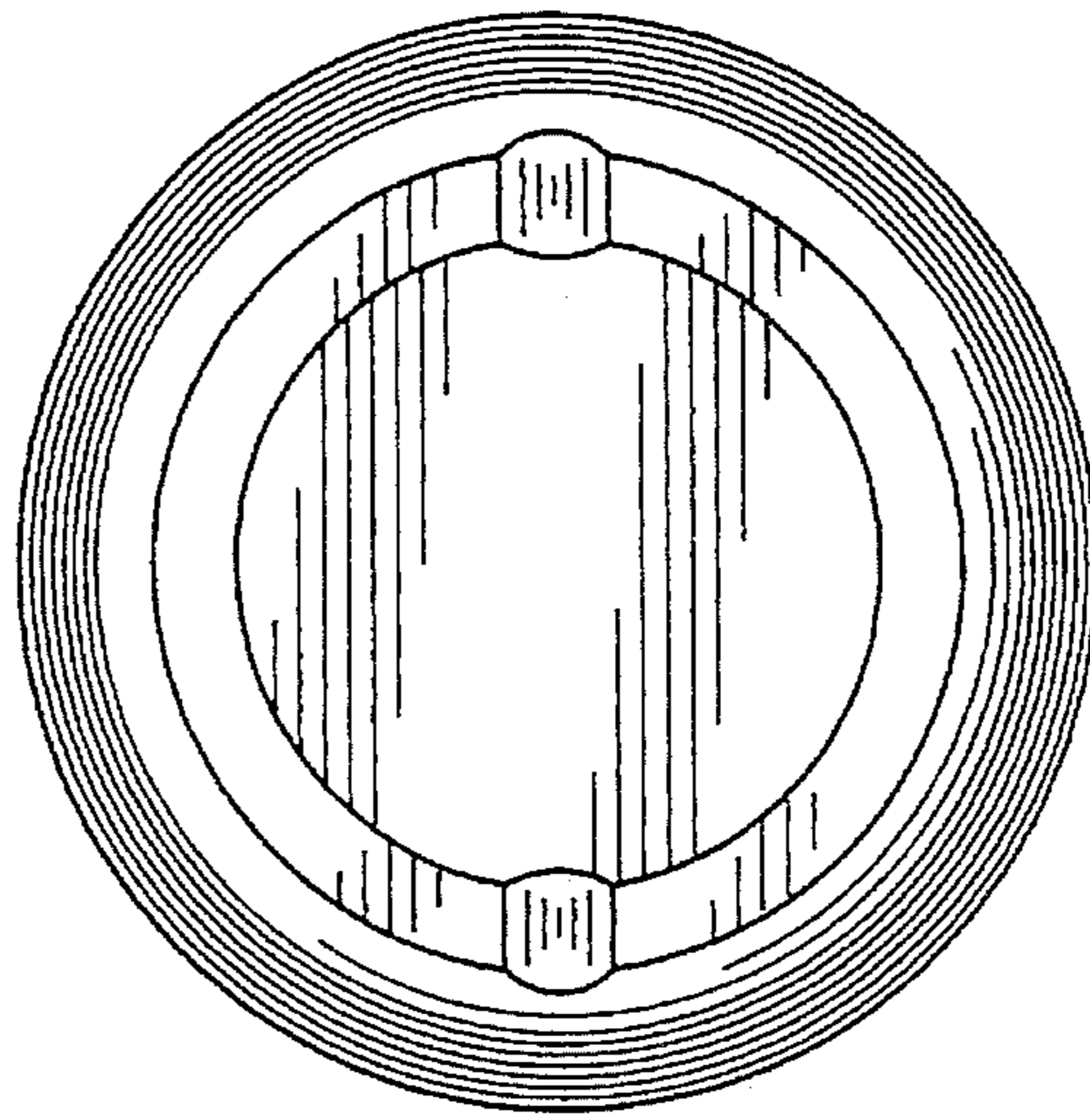


FIG. 4

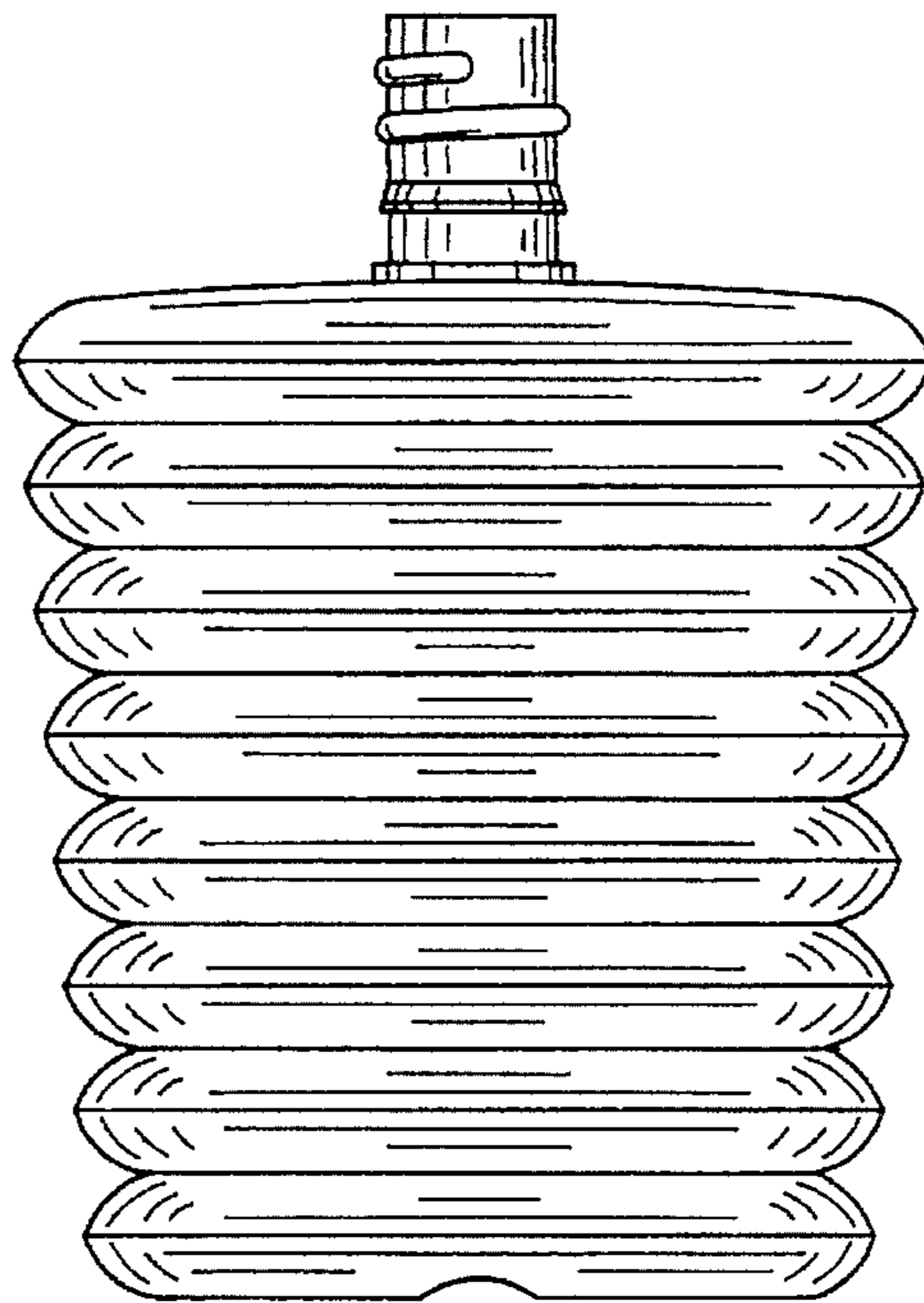


FIG. 5

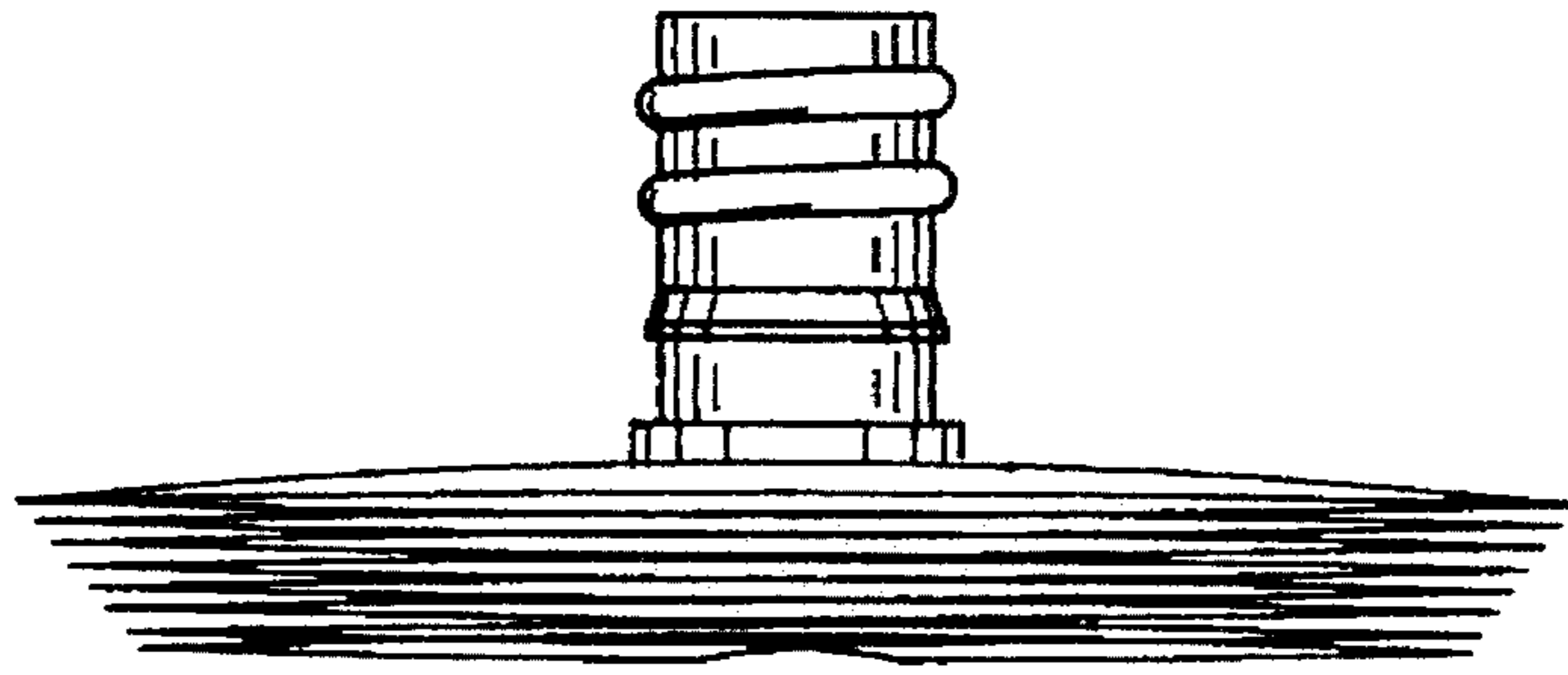


FIG. 6

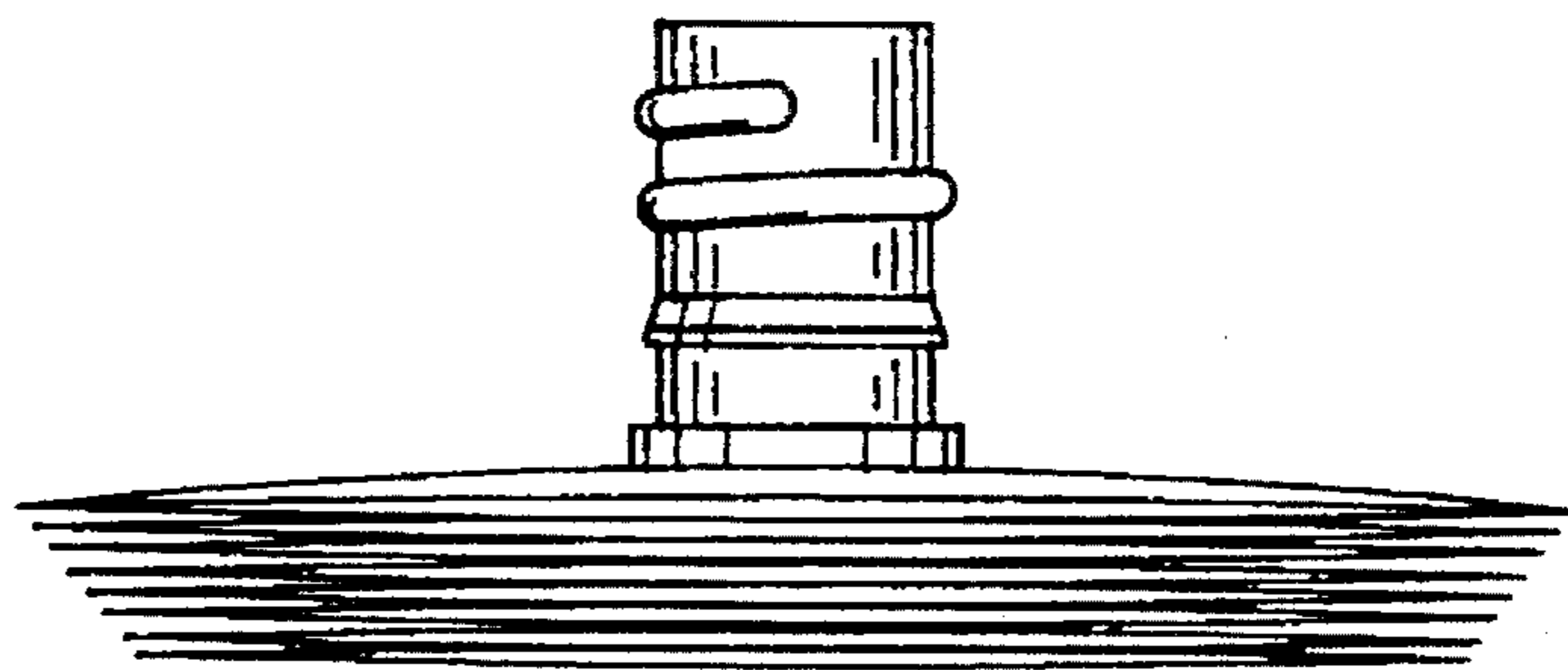


FIG. 7

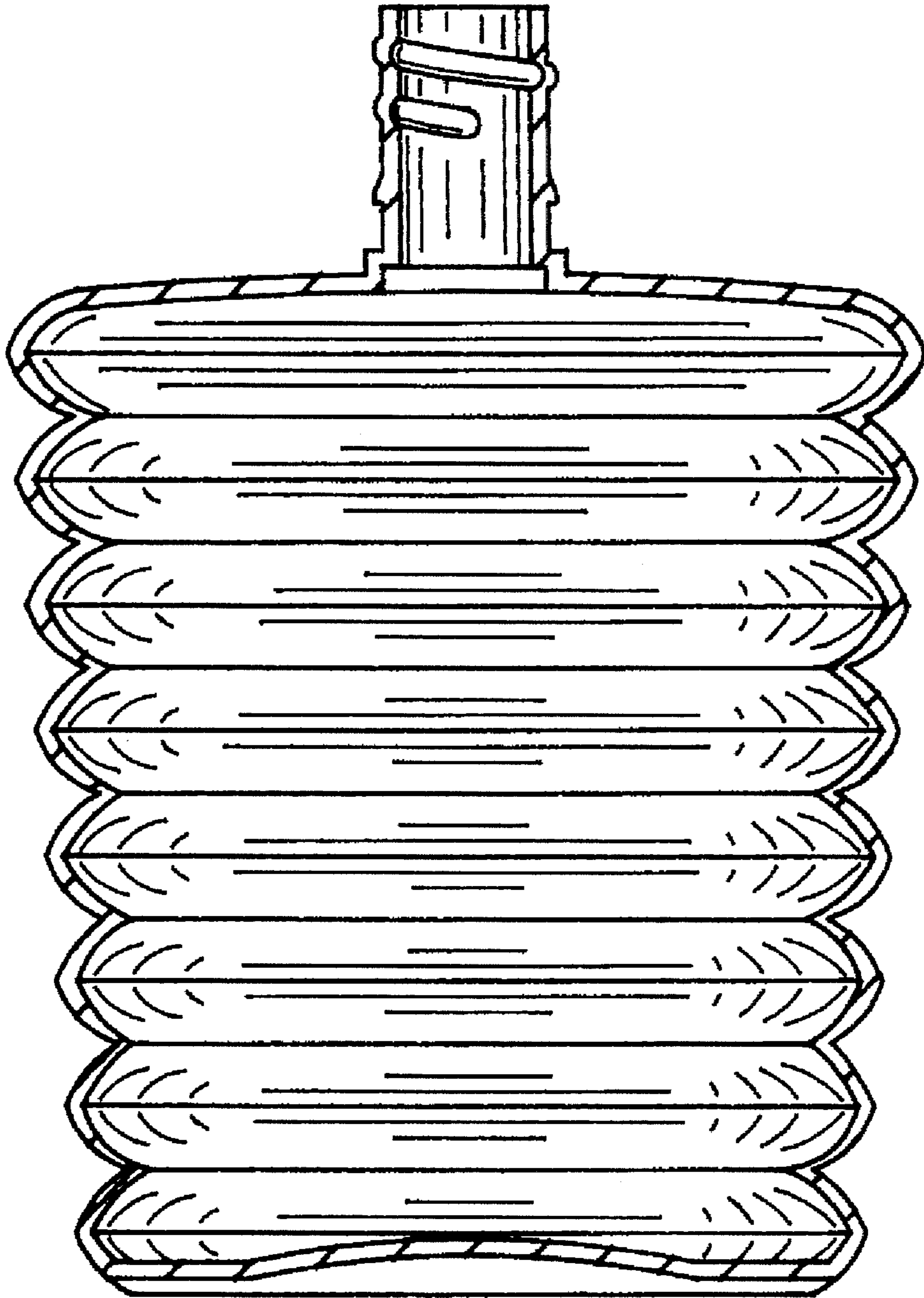


FIG. 8