



US00D372668S

**United States Patent** [19]  
**Greene**

[11] **Patent Number: Des. 372,668**

[45] **Date of Patent: \*\*Aug. 13, 1996**

[54] **COMBINED STOMACH DISTRESS BAGS AND DISPENSER**

5,215,379 6/1993 Pickard et al. .... 383/37

[76] Inventor: **Nathaniel Greene**, 300 Wainani Way, Apt. 2308, Honolulu, Hi. 96815

*Primary Examiner*—Prabhakar G. Deshmukh  
*Assistant Examiner*—Cheri Cohen  
*Attorney, Agent, or Firm*—Martin E. Hsia

[\*\*] Term: **14 Years**

[57] **CLAIM**

[21] Appl. No.: **29,665**

The ornamental design for combined stomach distress bags and dispenser, as shown and described.

[22] Filed: **Oct. 13, 1994**

**DESCRIPTION**

[52] **U.S. Cl.** ..... **D9/305**

[58] **Field of Search** ..... D9/305, 337, 415; 383/37; 206/493, 554, 494, 526

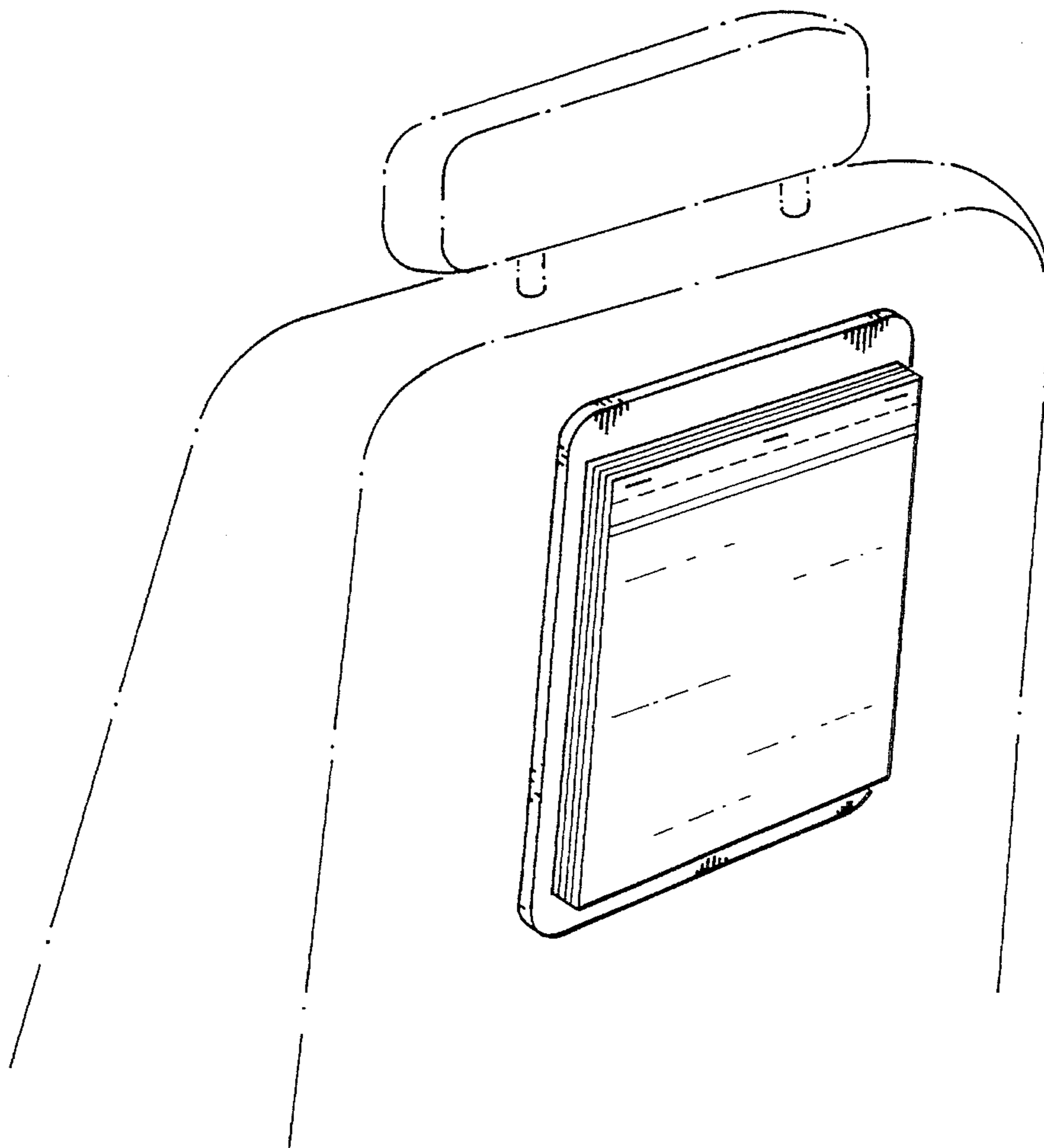
FIG. 1 is a perspective view of a combined stomach distress bags and dispenser showing my new design; FIG. 2 is a top plan view thereof; FIG. 3 is a front elevation view thereof; FIG. 4 is a left side elevation view thereof, the opposite side being a mirror image; FIG. 5 is a bottom plan view thereof; and, FIG. 6 is a rear elevation view thereof. The broken line showing of the back of a car seat in FIG. 1 is for illustrative purposes only and forms no part of the claimed design. FIGS. 2-6 are an enlarged view.

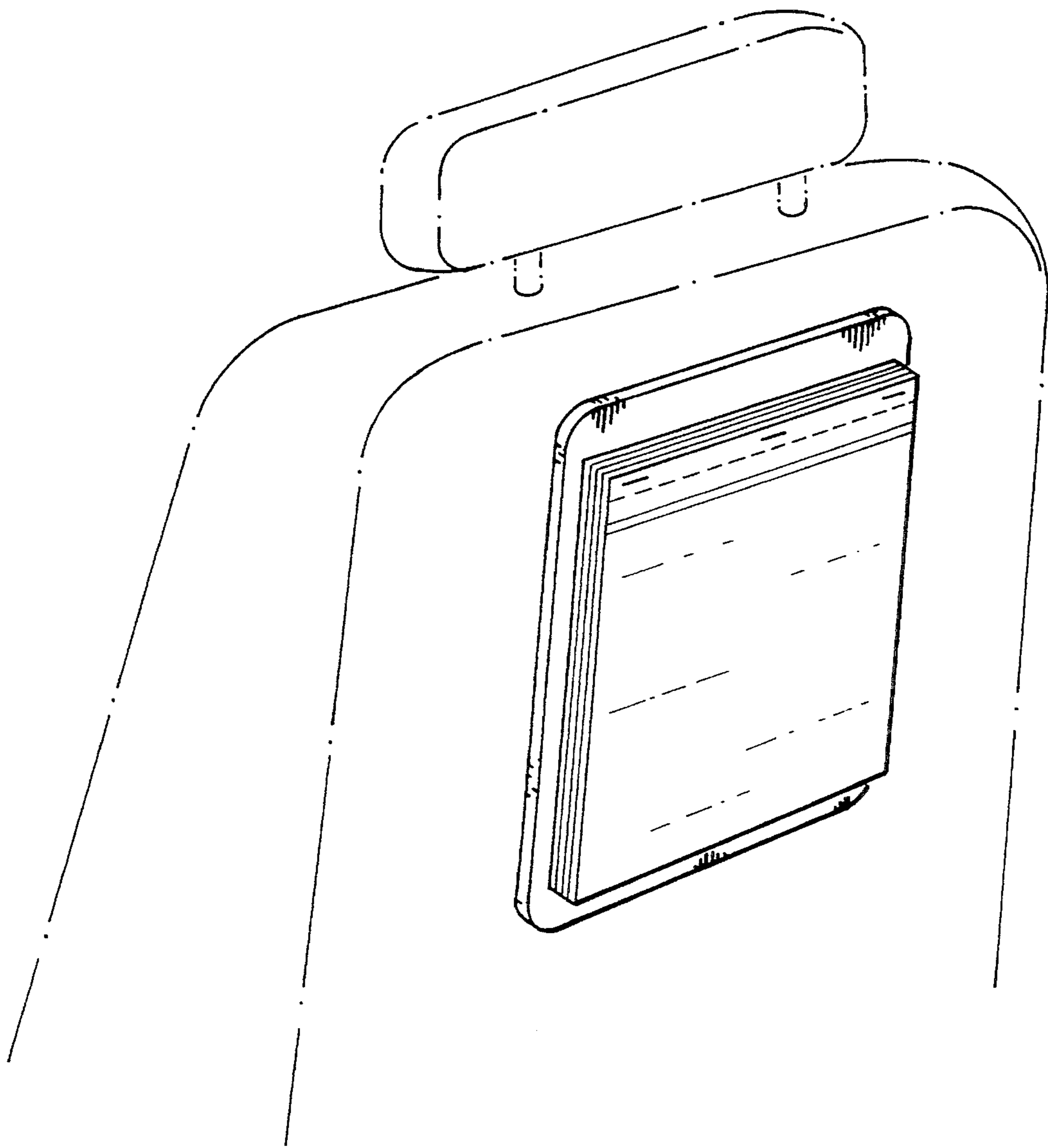
[56] **References Cited**

**U.S. PATENT DOCUMENTS**

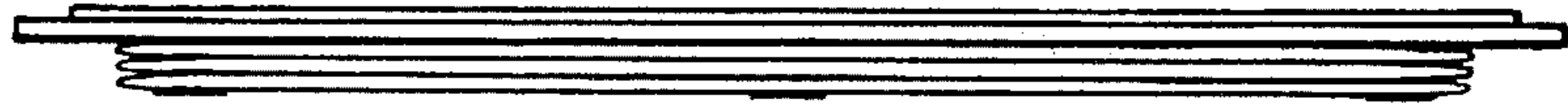
3,281,056	10/1966	Kugler	.....	D9/305 X
3,318,444	5/1967	Weicher et al.	.....	D9/305 X
3,341,003	9/1967	Marsh	.....	206/526 X
3,454,166	7/1969	Dinges	.....	206/526 X
4,502,599	3/1985	Perecman	.....	206/526 X
4,519,504	5/1985	Nausedas	.....	D9/305 X
4,557,384	12/1985	Membrino	.....	206/526 X
4,854,451	8/1989	Jensen	.....	383/37 X
5,119,968	6/1992	Palmer	.....	206/554 X

**1 Claim, 3 Drawing Sheets**





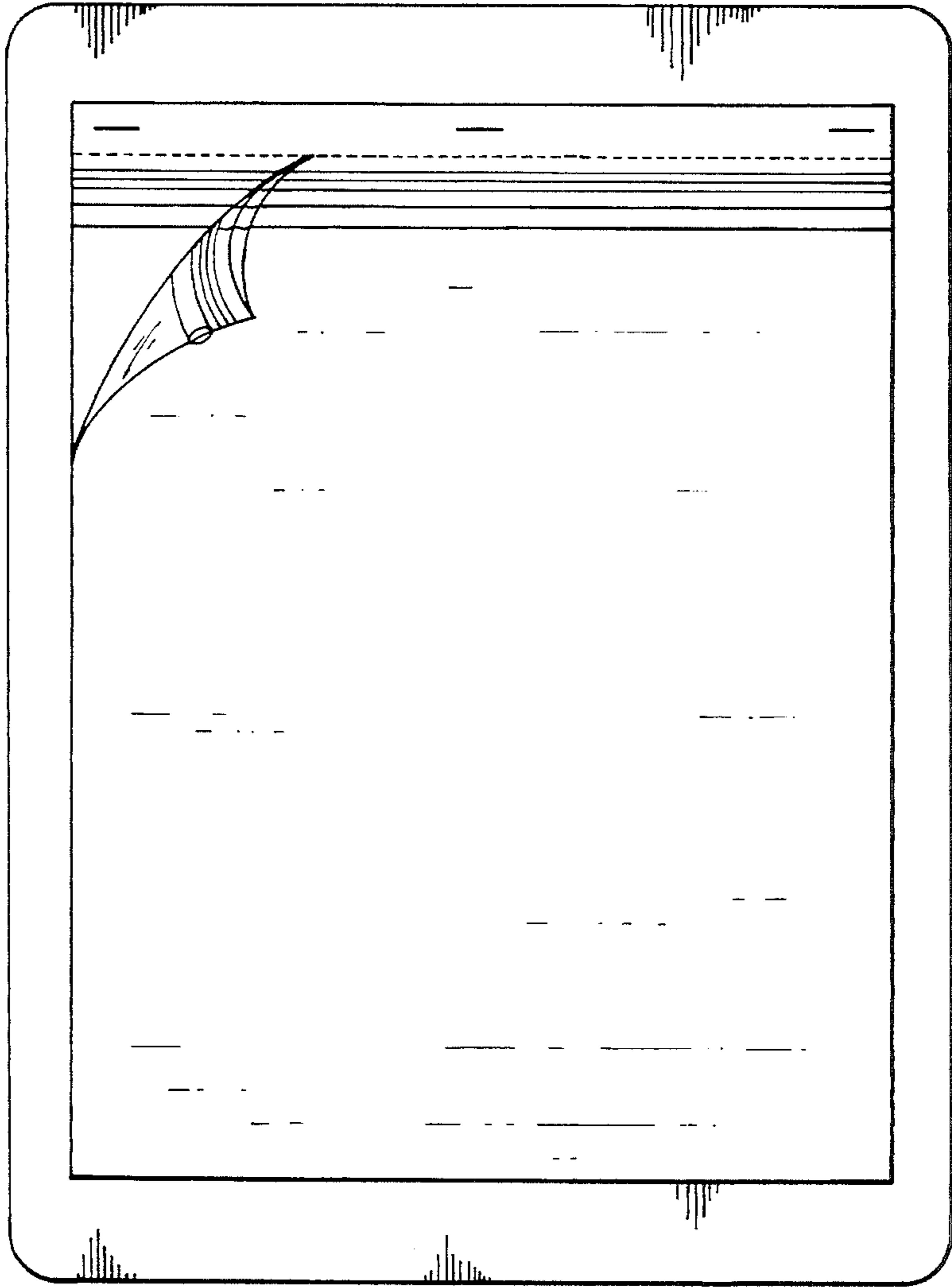
*Fig. 1*



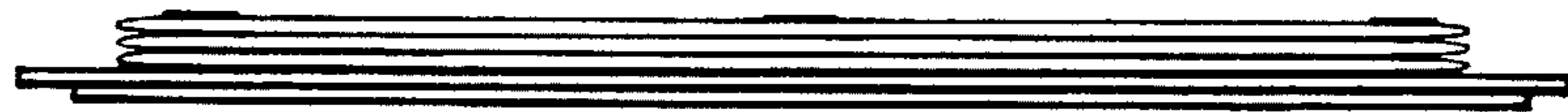
*Fig. 2*



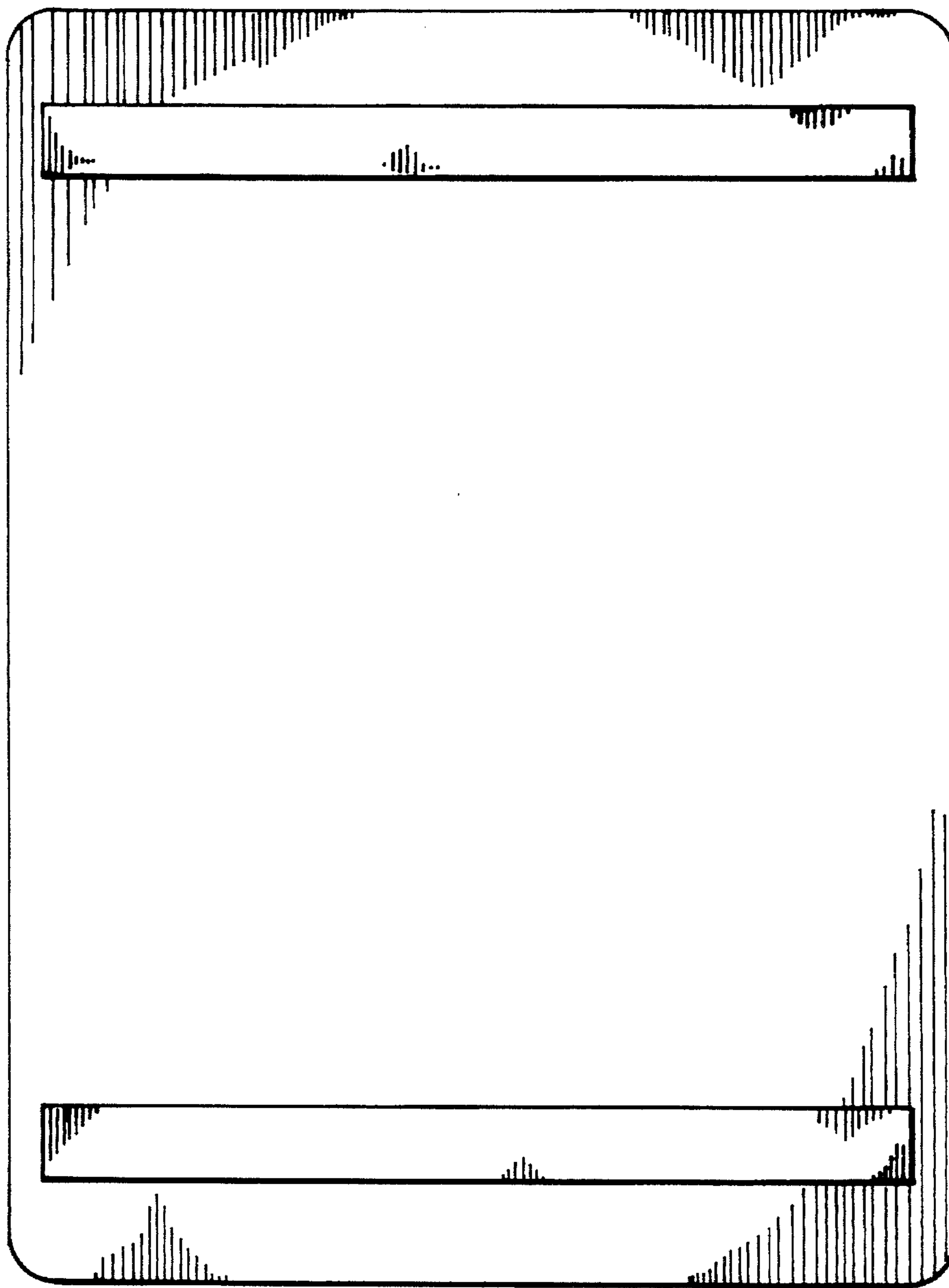
*Fig. 4*



*Fig. 3*



*Fig. 5*



*Fig. 6*